



US00D668271S

(12) **United States Design Patent**  
**Hutchinson et al.**

(10) **Patent No.:** **US D668,271 S**

(45) **Date of Patent:** **\*\* Oct. 2, 2012**

(54) **TELEHANDLER**

(75) Inventors: **Daniel Mark Edward Hutchinson**,  
Staffordshire (GB); **Christopher**  
**Stephen Newberry**, Staffordshire (GB)

(73) Assignee: **J.C. Bamford Excavators Limited**,  
Uttoxeter (GB)

(\*\*) Term: **14 Years**

(21) Appl. No.: **29/407,499**

(22) Filed: **Nov. 30, 2011**

(30) **Foreign Application Priority Data**

Oct. 31, 2011 (EM) ..... 001300347-0001

Oct. 31, 2011 (EM) ..... 001300347-0002

(51) **LOC (9) Cl.** ..... **15-03**

(52) **U.S. Cl.** ..... **D15/33; D15/22; D34/37**

(58) **Field of Classification Search** ..... D15/10,  
D15/22-26, 33; D34/34, 35, 37; 414/285,  
414/685, 718; 180/89.12, 89.13, 89.17, 900,  
180/89.19, 297, 298; 187/222, 237, 238;  
296/190, 202; 37/341, 442

See application file for complete search history.

(56) **References Cited**

**U.S. PATENT DOCUMENTS**

D231,975 S \* 7/1974 Aiello et al. .... D34/34  
D316,468 S \* 4/1991 Sandroek et al. .... D34/37  
5,199,861 A \* 4/1993 Merlo et al. .... 414/718  
D366,489 S \* 1/1996 Brown ..... D15/22  
D376,243 S \* 12/1996 Magni ..... D34/34

5,687,809 A \* 11/1997 Braud ..... 180/297  
5,836,733 A \* 11/1998 Moses et al. .... 414/685  
D438,359 S \* 2/2001 Braud ..... D34/34  
D460,085 S \* 7/2002 Crookes et al. .... D15/25  
D461,831 S \* 8/2002 Laberheim et al. .... D15/25  
D480,529 S \* 10/2003 Pini ..... D34/34  
6,910,544 B2 \* 6/2005 Sewell ..... 180/68.4  
D609,721 S \* 2/2010 Schmidt ..... D15/23  
D610,170 S \* 2/2010 Schmidt ..... D15/23  
D610,171 S \* 2/2010 Schmidt ..... D15/23  
D634,757 S \* 3/2011 Mack ..... D15/10  
D634,758 S \* 3/2011 Mack ..... D15/10  
D641,028 S \* 7/2011 Mack ..... D15/23

\* cited by examiner

*Primary Examiner* — Mark Goodwin

(74) *Attorney, Agent, or Firm* — Marshall, Gerstein & Borun  
LLP; Richard M. LaBarge

(57) **CLAIM**

The ornamental design for a telehandler, as shown and  
described.

**DESCRIPTION**

FIG. 1 is a back, top, driver's side perspective view of a  
telehandler showing our new design.

FIG. 2 is a back, top, and opposite side view of the telehandler.

FIG. 3 is a side elevation view of the telehandler.

FIG. 4 is a rear elevation view.

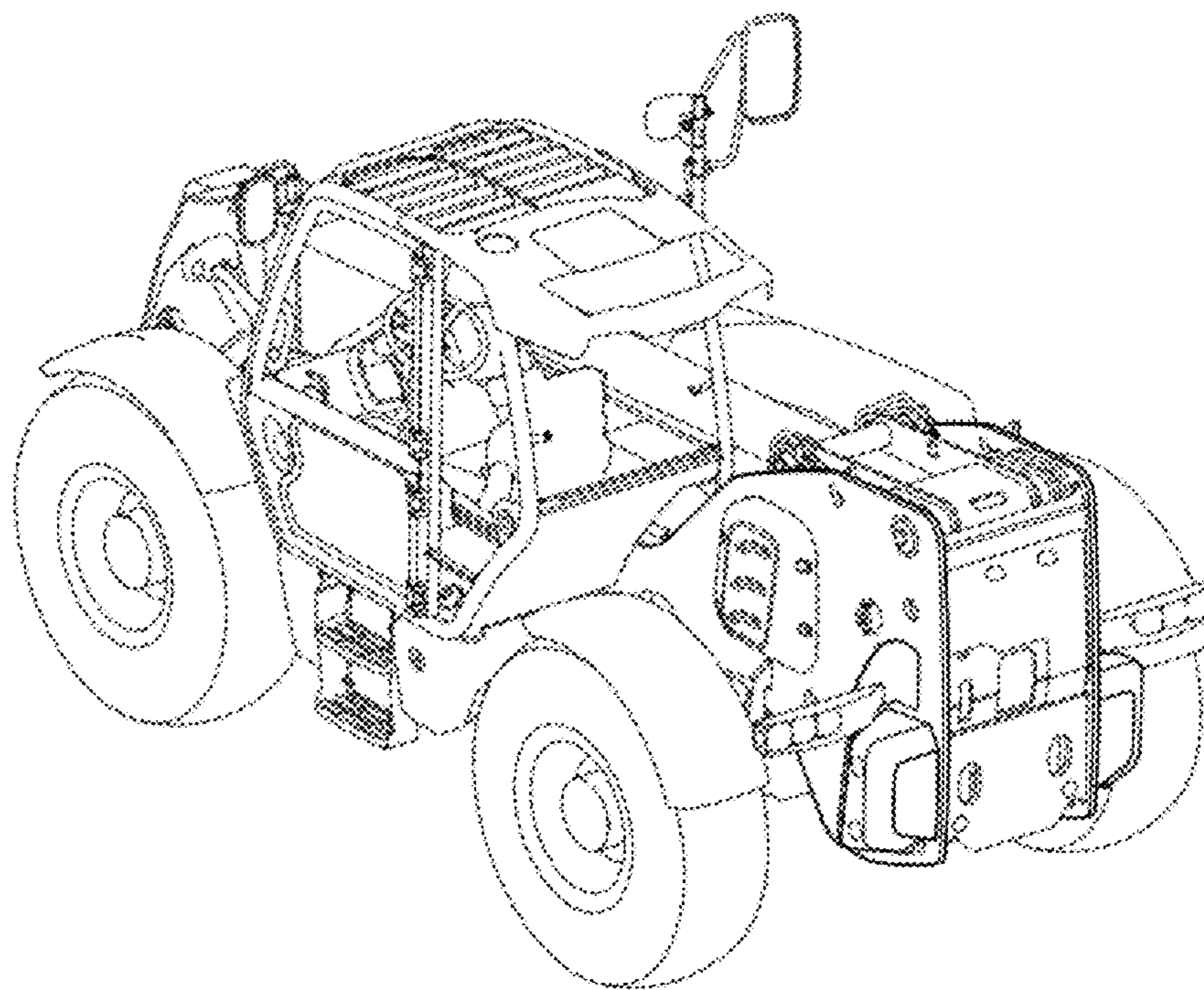
FIG. 5 is a driver's side elevation view.

FIG. 6 is a front elevation view; and,

FIG. 7 is a top plan view.

The broken line showing represent elements of the telehan-  
dler that do not form part of the claimed design.

**1 Claim, 7 Drawing Sheets**



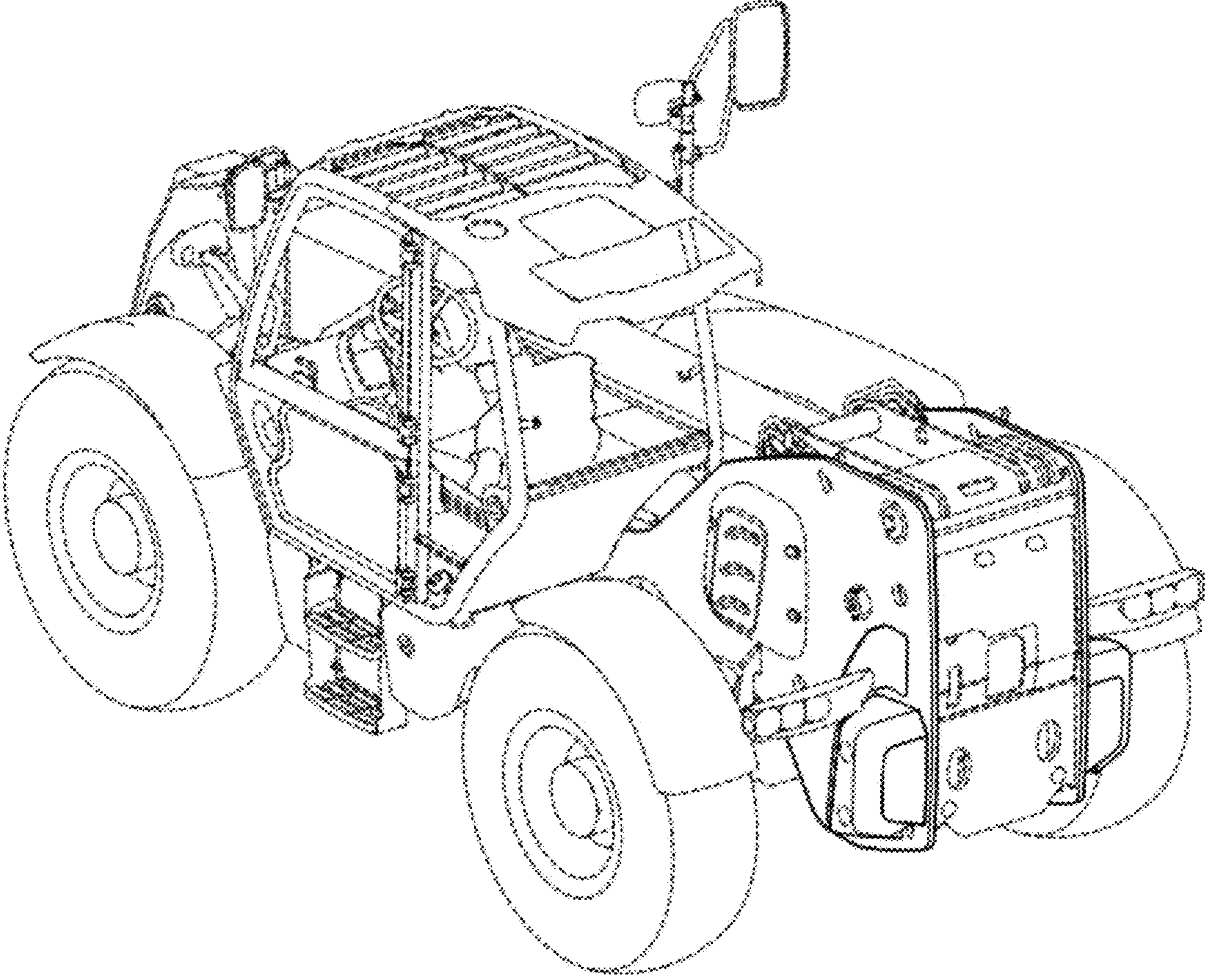


FIG. 1



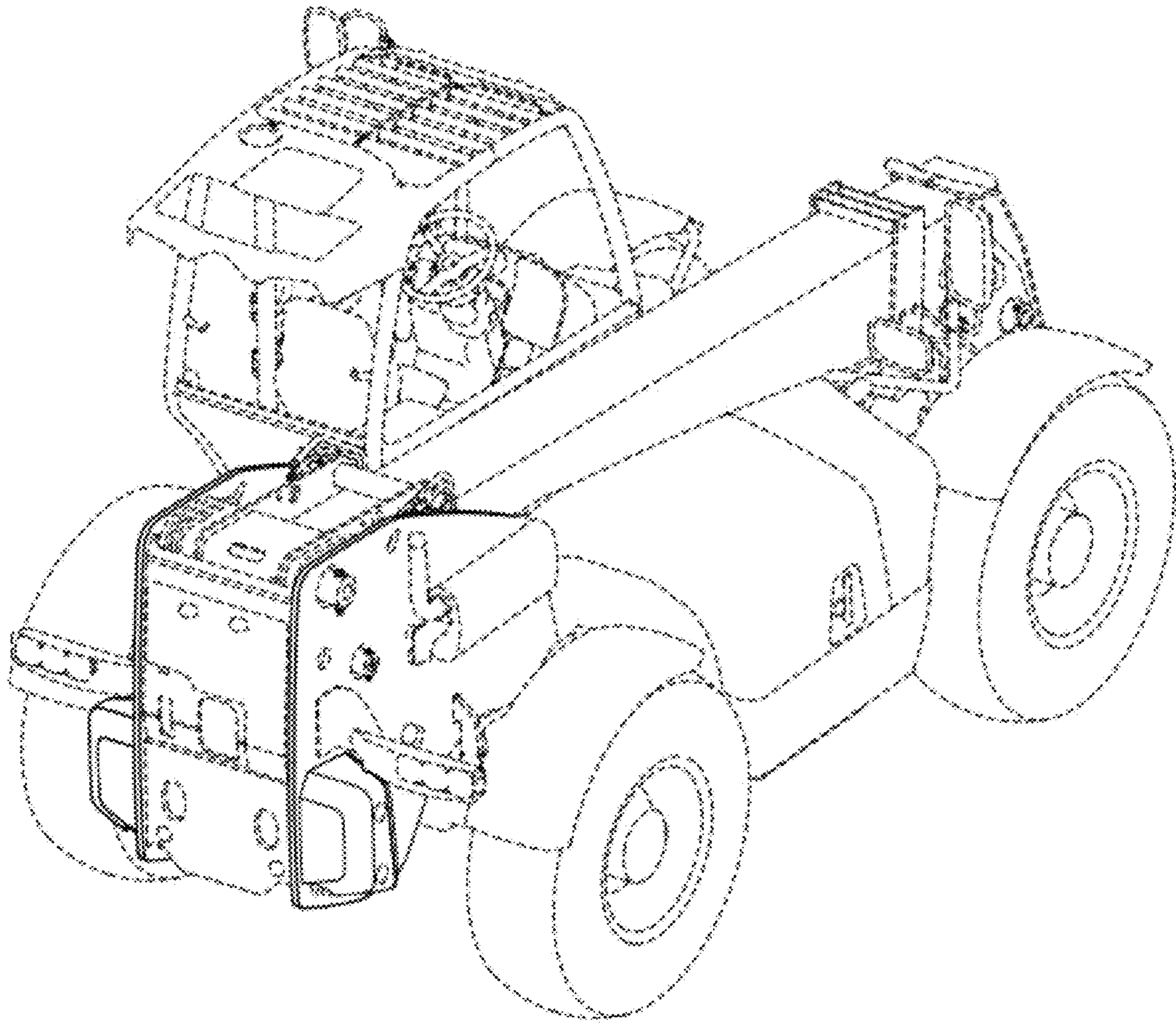
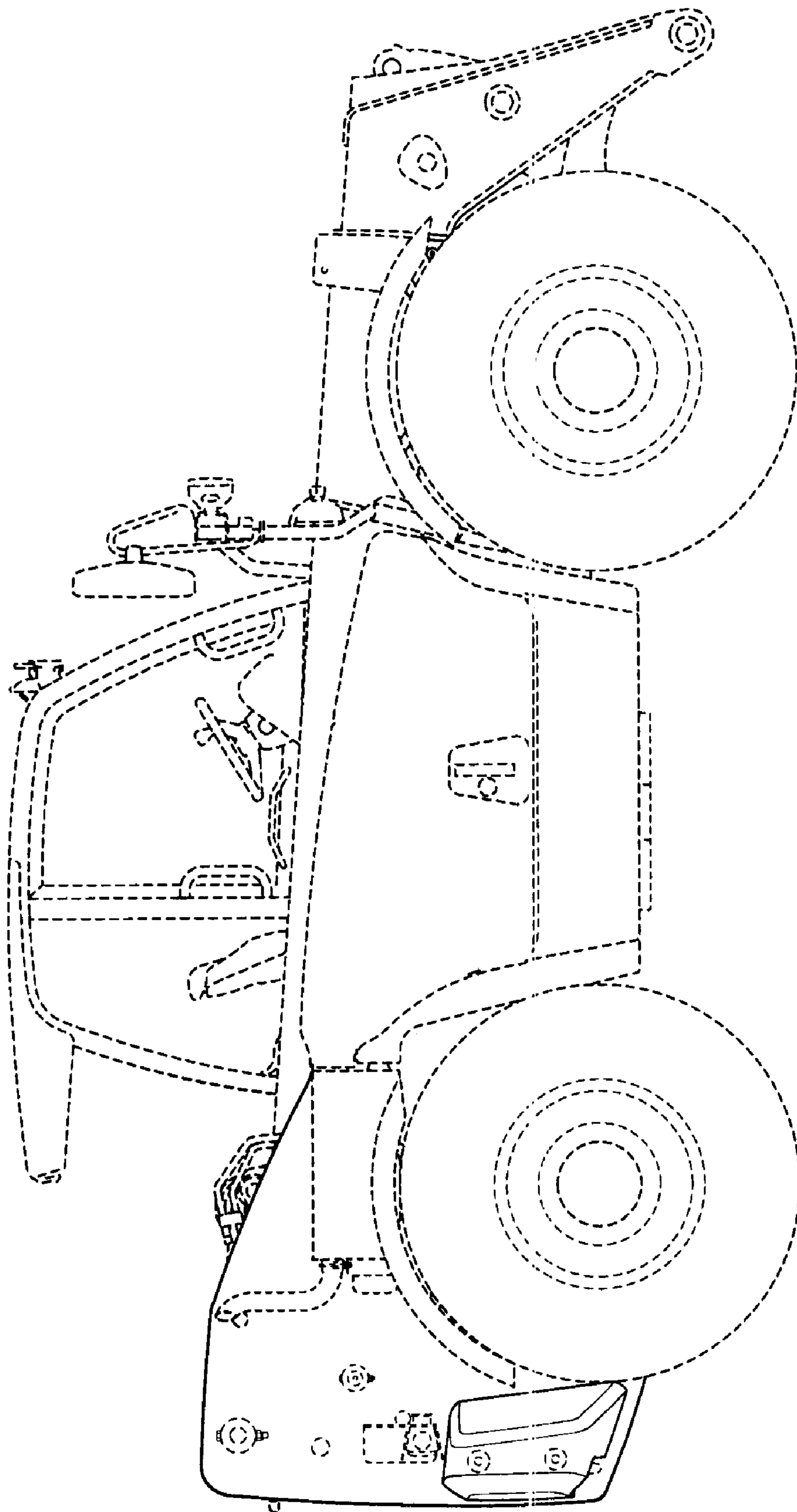


FIG. 2



**FIG. 3**

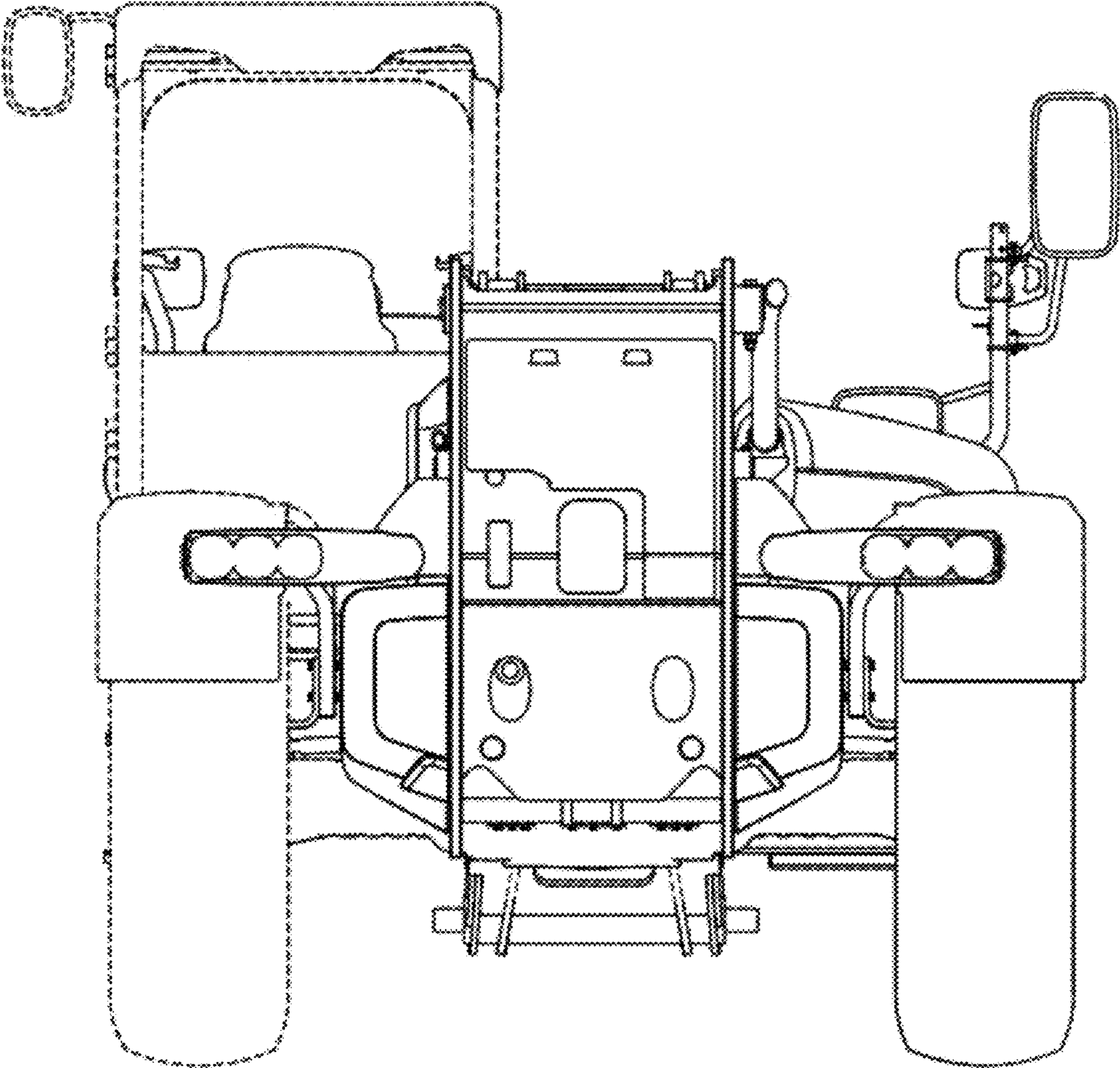


FIG. 4



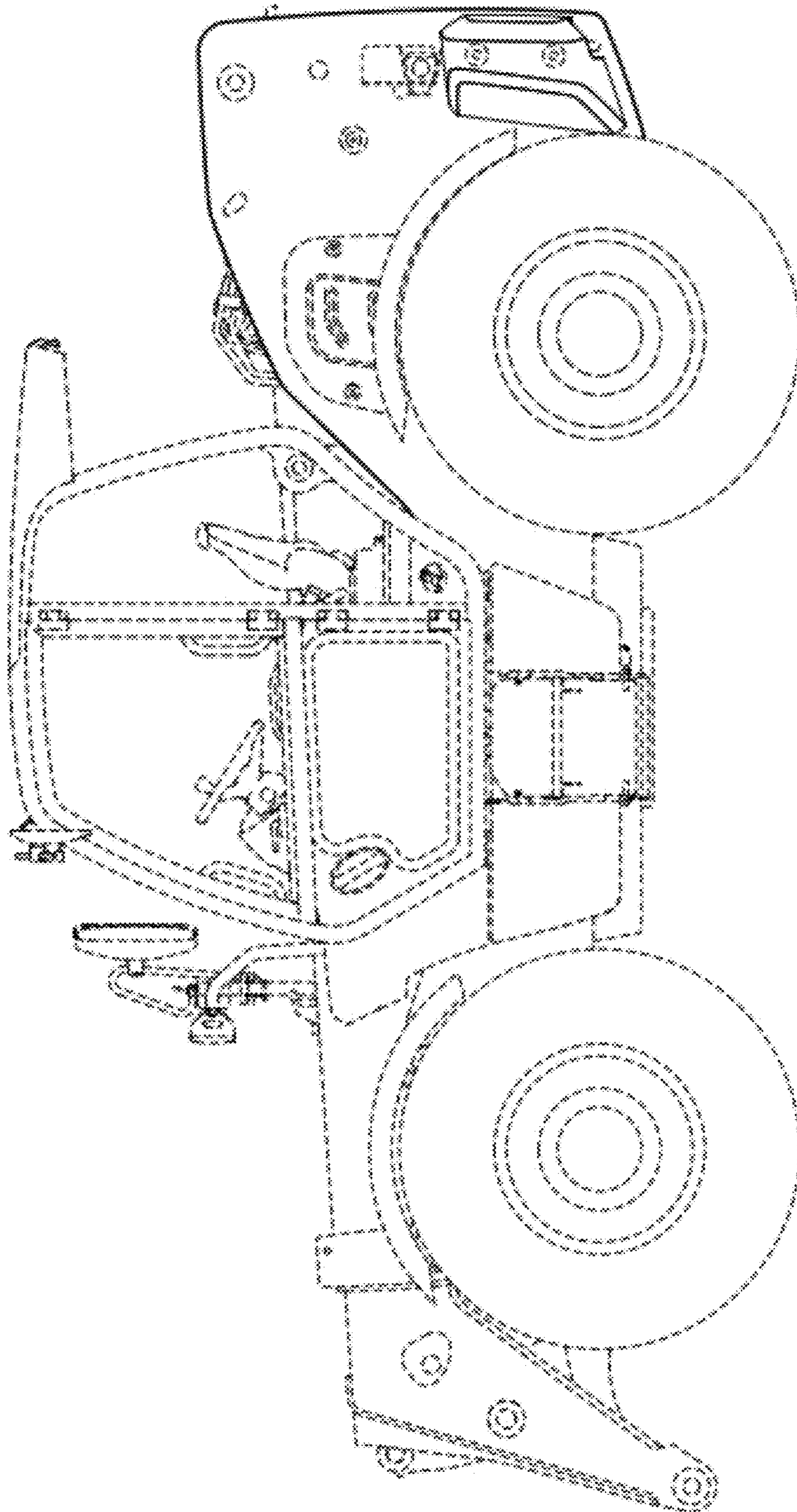


FIG. 5

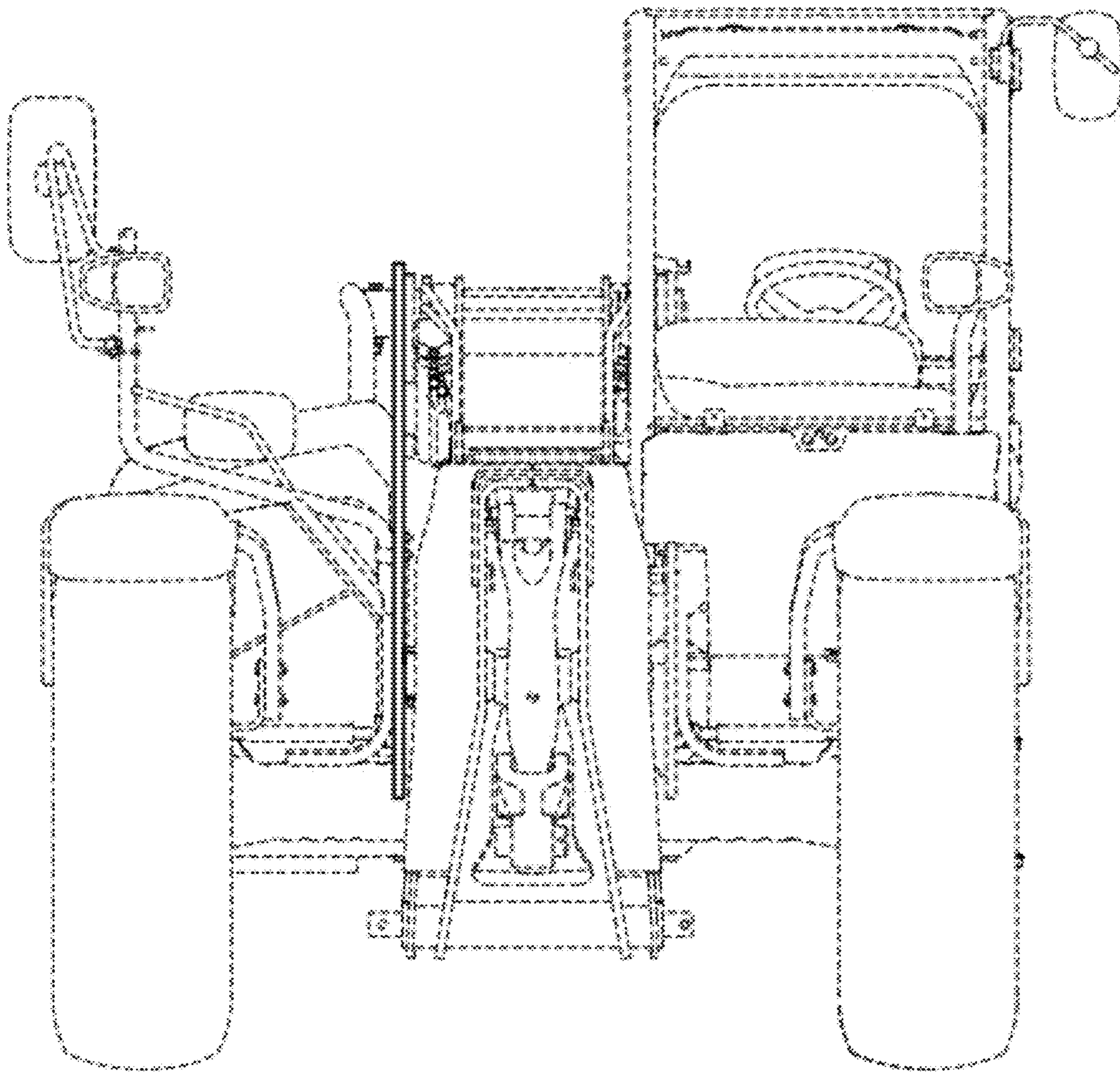


FIG. 6



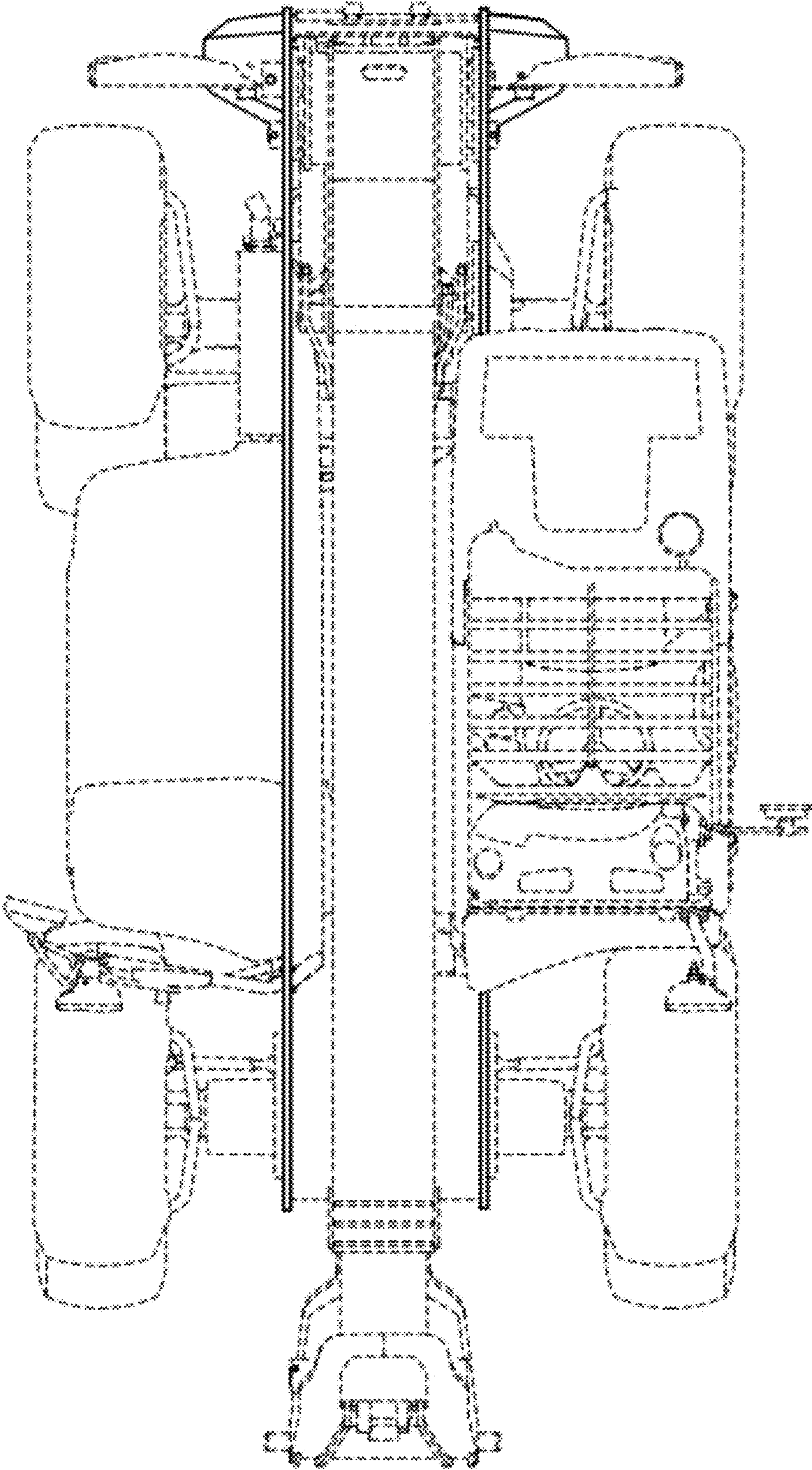


FIG. 7