



US00D668270S

(12) **United States Design Patent**
Kushita et al.

(10) **Patent No.:** **US D668,270 S**
(45) **Date of Patent:** **** Oct. 2, 2012**

(54) **TRACTOR**

(75) Inventors: **Yoshihiro Kushita, Sakai (JP);**
Yoshitaka Higashikawa, Sakai (JP)

(73) Assignee: **Kubota Corporation, Osaka (JP)**

(**) Term: **14 Years**

(21) Appl. No.: **29/412,877**

(22) Filed: **Feb. 8, 2012**

(30) **Foreign Application Priority Data**

Aug. 9, 2011 (JP) 2011-018252

(51) **LOC (9) Cl.** **12-09**

(52) **U.S. Cl.** **D15/23**

(58) **Field of Classification Search** D15/10,
D15/14, 15, 22-26, 33; 180/69.2, 89.1, 89.12,
180/900; 56/12.7, 15.8, 16.7, 13.3, 10.1,
56/202, 320.1

See application file for complete search history.

(56) **References Cited**

U.S. PATENT DOCUMENTS

D274,524 S * 7/1984 Koval et al. D15/23
D329,435 S * 9/1992 Katoh et al. D15/23
D387,068 S * 12/1997 Kato et al. D15/23

D391,581 S * 3/1998 Kato et al. D15/23
D440,234 S * 4/2001 Katoh et al. D15/23
D498,245 S * 11/2004 Kuwae et al. D15/23
D515,105 S * 2/2006 Wang et al. D15/22
D519,131 S * 4/2006 Kuwae et al. D15/23
D527,026 S * 8/2006 Kuwae et al. D15/23
D555,674 S * 11/2007 Kuwae et al. D15/23
D564,544 S * 3/2008 Higashikawa et al. D15/23
D602,047 S * 10/2009 Kushita et al. D15/23
D604,749 S * 11/2009 Kushita et al. D15/23

* cited by examiner

Primary Examiner — Mark Goodwin

(74) *Attorney, Agent, or Firm* — The Webb Law Firm

(57) **CLAIM**

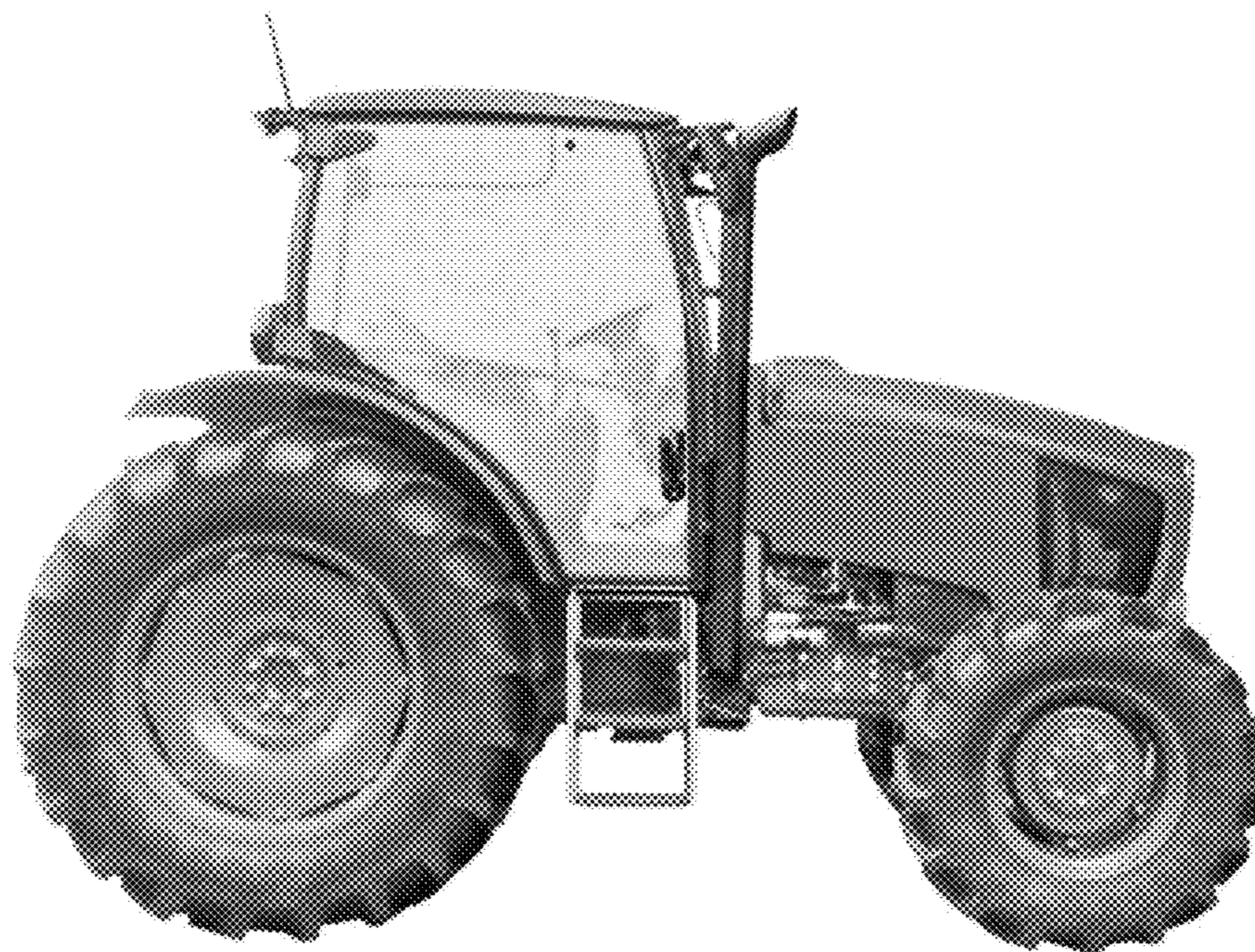
The ornamental design for a tractor, as shown and described.

DESCRIPTION

FIG. 1 is a left side view of a tractor showing our new design;
FIG. 2 is a right side view thereof;
FIG. 3 is a rear view thereof;
FIG. 4 is a front view thereof;
FIG. 5 is a top view thereof;
FIG. 6 is a front left side perspective view thereof;
FIG. 7 is a rear right side perspective view thereof; and,
FIG. 8 is an enlarged front view thereof.

A bottom view is omitted because it is plain and unornamental and forms no part of the subject matter of the claimed design.

1 Claim, 8 Drawing Sheets



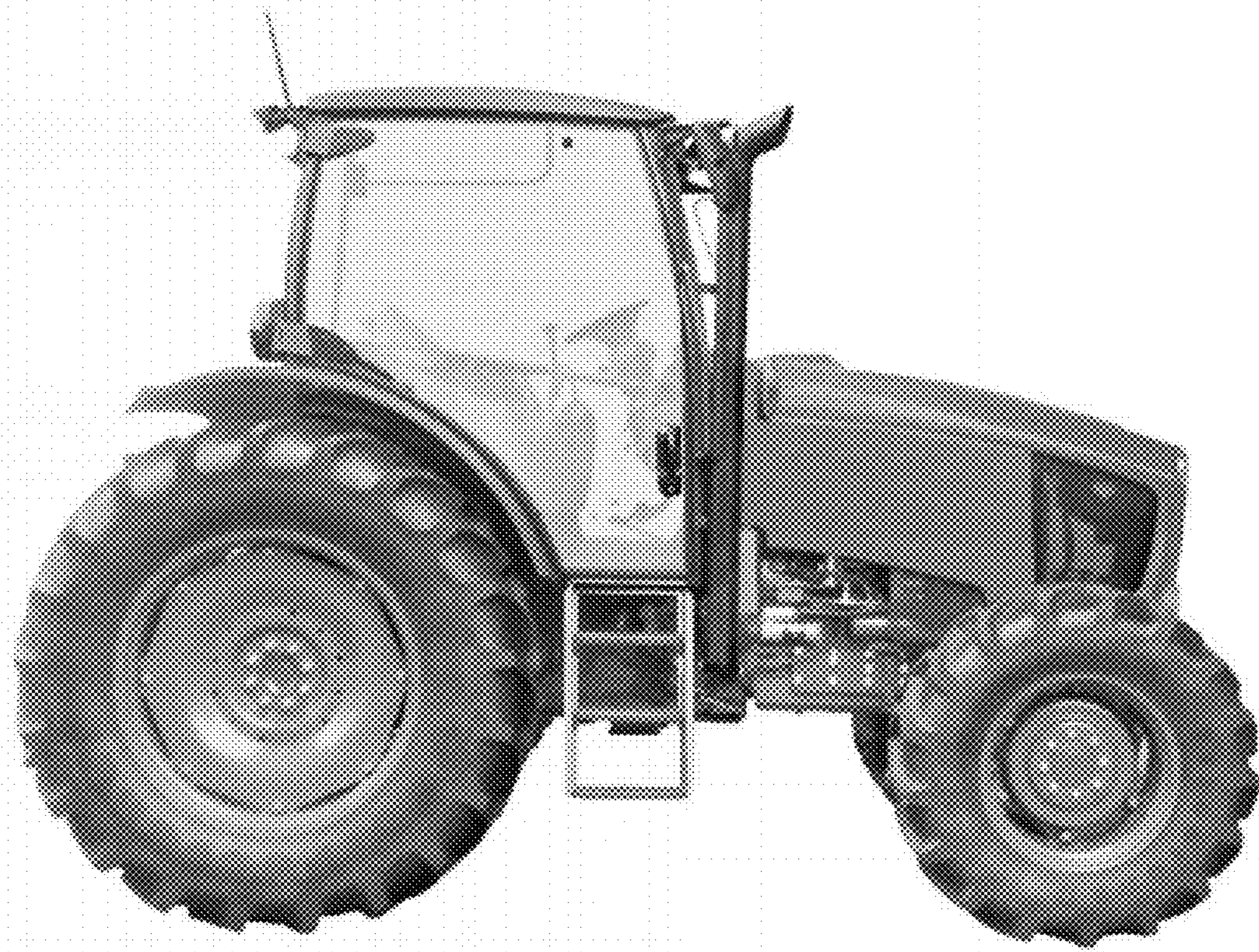


FIG. 1



FIG. 2



FIG. 3

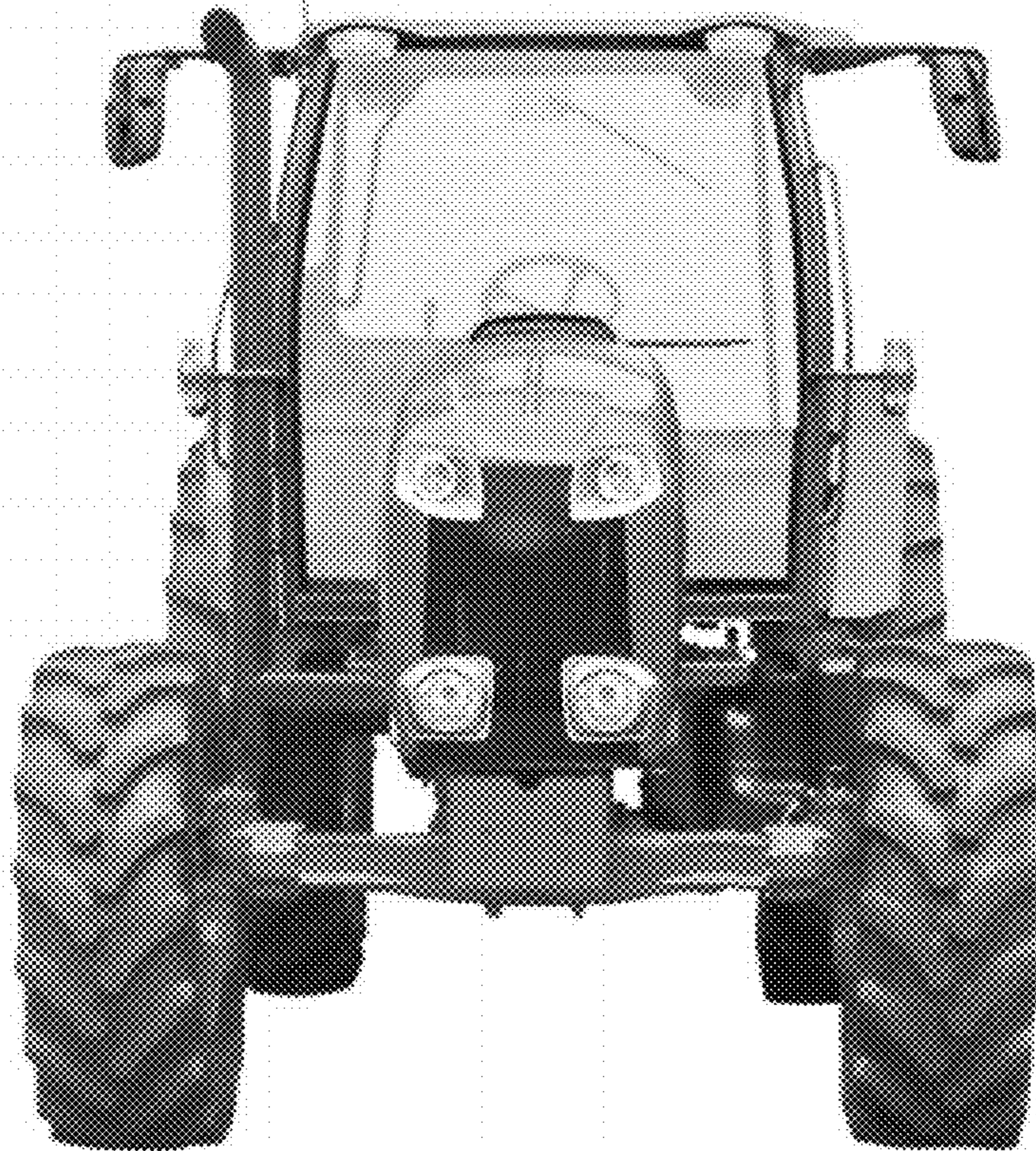


FIG. 4

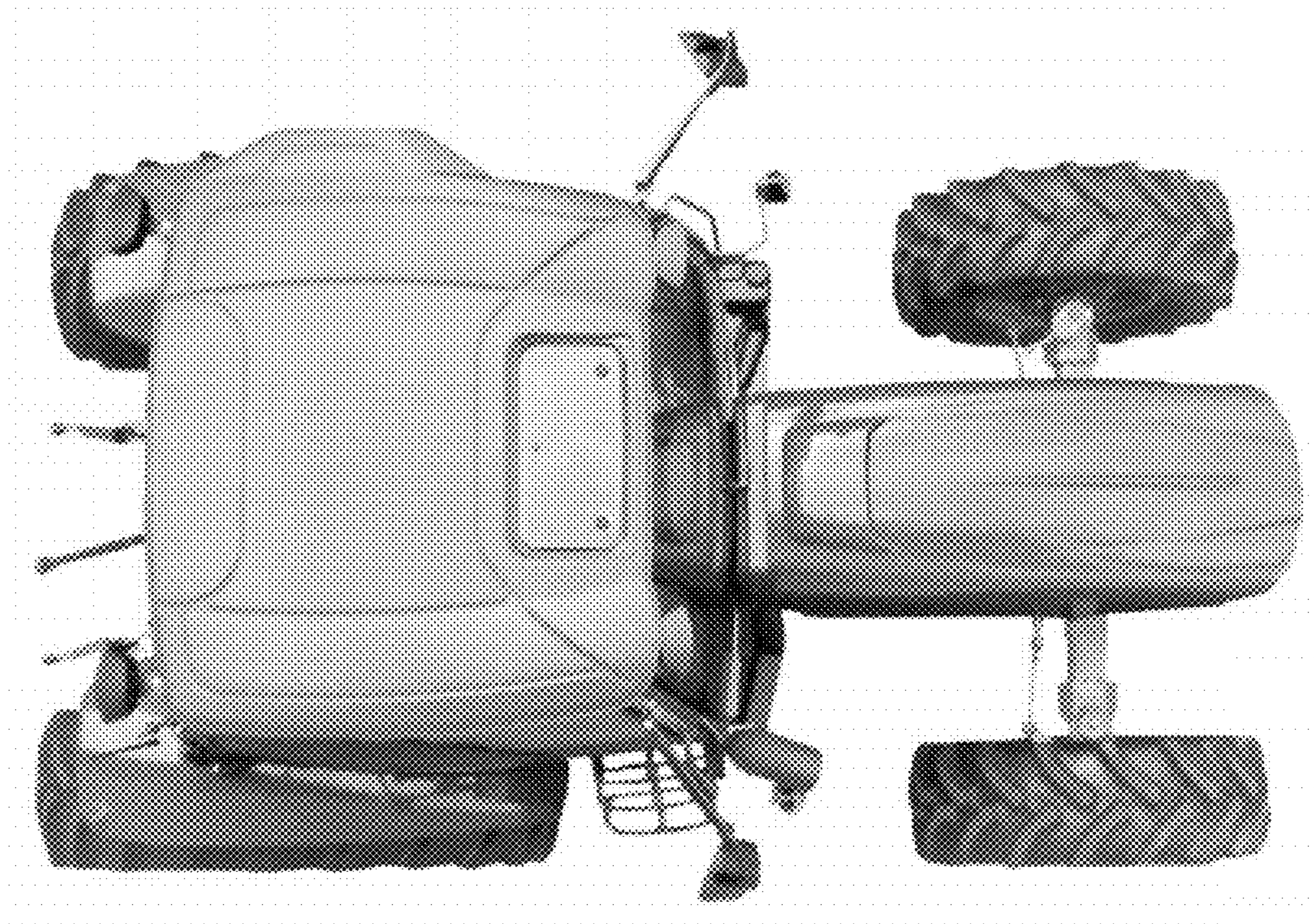


FIG. 5



FIG. 6



FIG. 7



FIG. 8