



US00D668269S

(12) **United States Design Patent**
Tezuka et al.

(10) **Patent No.:** **US D668,269 S**
(45) **Date of Patent:** **** Oct. 2, 2012**

(54) **VIBRATORY ROLLER**

(75) Inventors: **Takabumi Tezuka**, Kuki (JP);
Masayuki Yoshida, Kuki (JP)

(73) Assignee: **Sakai Heavy Industries, Ltd.**,
Minato-ku, Tokyo (JP)

(**) Term: **14 Years**

(21) Appl. No.: **29/394,893**

(22) Filed: **Jun. 22, 2011**

(30) **Foreign Application Priority Data**

Apr. 28, 2011 (JP) 2011-9943

(51) **LOC (9) Cl.** **15-03**

(52) **U.S. Cl.** **D15/20; D15/22**

(58) **Field of Classification Search** D15/10,
D15/20, 22-28, 33; D12/14; 180/20, 89.12;
404/122-125, 117, 128, 132, 90; 280/104,
280/124.111; 73/82, 84, 78, 573
See application file for complete search history.

(56) **References Cited**

U.S. PATENT DOCUMENTS

D207,532 S *	5/1967	Garls et al.	D15/20
D224,650 S *	8/1972	Lorenz et al.	D15/31
D224,651 S *	8/1972	Lorenz et al.	D15/31
D227,094 S *	6/1973	Skyer et al.	D15/31
D230,876 S *	3/1974	Lorenz et al.	D15/31
D275,678 S *	9/1984	Mawhorr et al.	D15/20
D327,276 S *	6/1992	Sorensen	D15/31
D352,723 S *	11/1994	DeBaal et al.	D15/31
D356,584 S *	3/1995	Innes	D15/31
D396,431 S *	7/1998	Lindgren et al.	D12/14
D396,727 S *	8/1998	Geier et al.	D15/20
D406,594 S *	3/1999	Miller et al.	D15/31
D412,712 S *	8/1999	Miller et al.	D15/31
D500,056 S *	12/2004	DeYoung et al.	D15/33

D500,329 S	12/2004	Bauve et al.	
D508,499 S *	8/2005	Kurtz, Jr.	D15/31
D516,094 S	2/2006	Dötsch et al.	
D517,096 S *	3/2006	Landers et al.	D15/28
D573,611 S *	7/2008	Geier	D15/20
D589,067 S	3/2009	Yamamoto	
D597,106 S *	7/2009	Kelley et al.	D15/31
D602,506 S *	10/2009	Marsolek et al.	D15/30
D611,505 S *	3/2010	Loew et al.	D15/20
D611,506 S *	3/2010	Loew et al.	D15/20
D626,153 S *	10/2010	Gavin et al.	D15/31
D629,818 S *	12/2010	Rummer et al.	D15/31
D635,154 S *	3/2011	Rummer et al.	D15/28
D635,157 S *	3/2011	Rummer et al.	D15/31
D635,592 S *	4/2011	Shimomura et al.	D15/28

FOREIGN PATENT DOCUMENTS

JP	D1057899	9/1999
JP	D1312329	9/2007

OTHER PUBLICATIONS

Sakai Heavy Industries, Ltd. Catalog, Apr. 2004.

* cited by examiner

Primary Examiner — Mark Goodwin

(74) *Attorney, Agent, or Firm* — Merchant & Gould P.C.

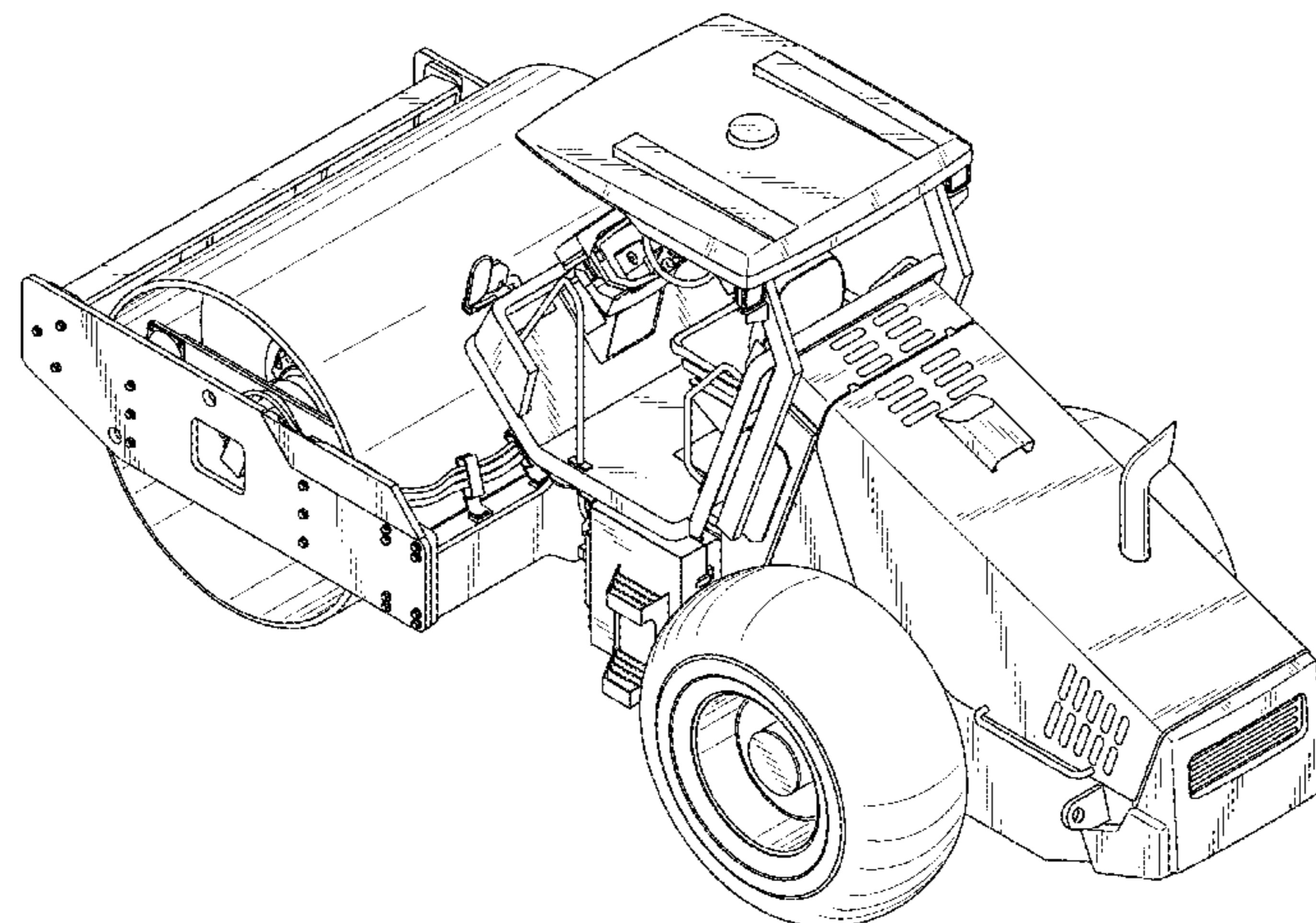
(57) **CLAIM**

We claim, the ornamental design for a vibratory roller, as shown and described.

DESCRIPTION

FIG. 1 is a rear right perspective view of a vibratory roller showing our new design;
FIG. 2 is a front left perspective view thereof;
FIG. 3 is a right side view of thereof;
FIG. 4 is a left side view thereof;
FIG. 5 is a top plan view thereof;
FIG. 6 is a rear view thereof; and,
FIG. 7 is a front view thereof.

1 Claim, 7 Drawing Sheets



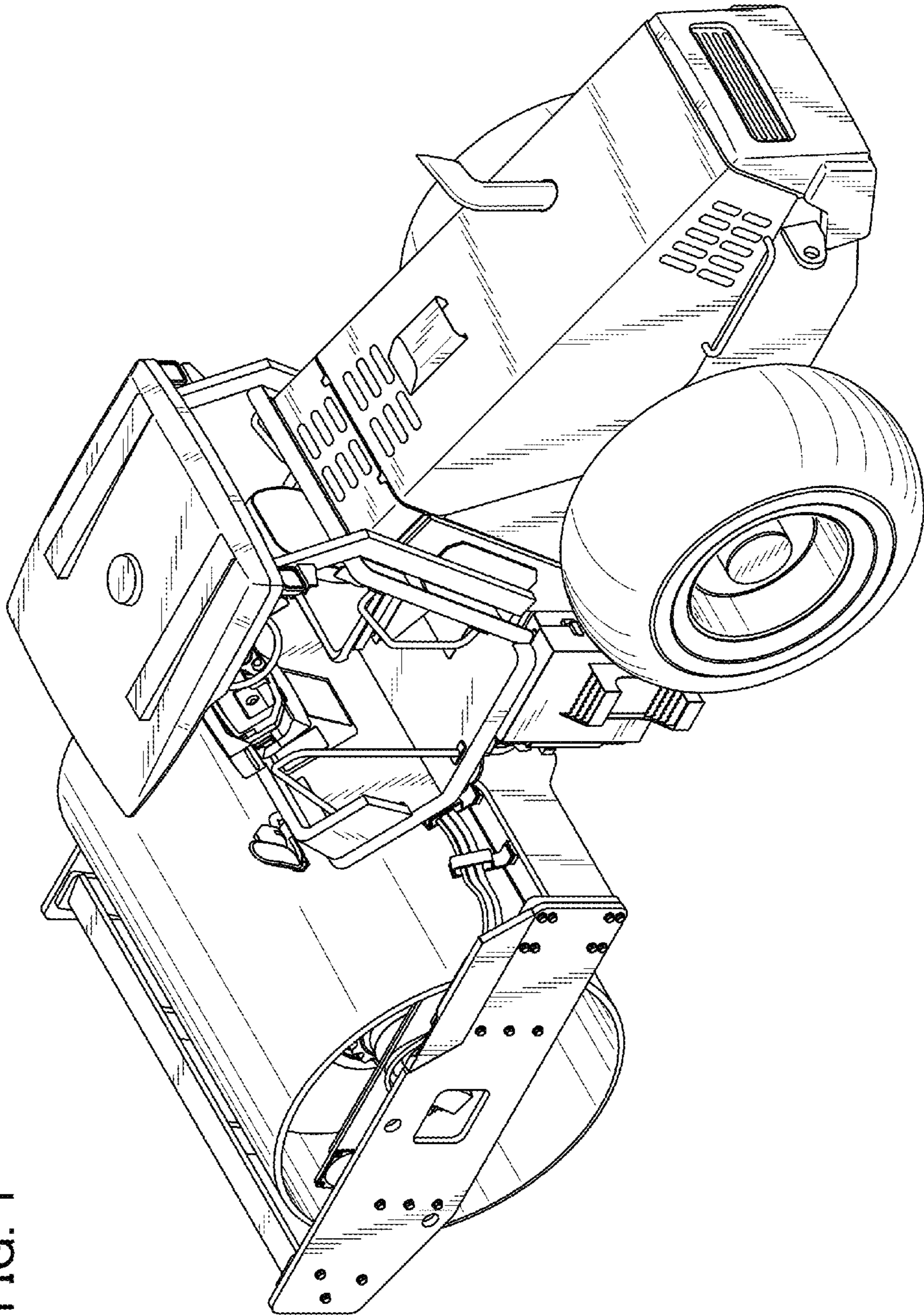


FIG. 1

FIG. 2

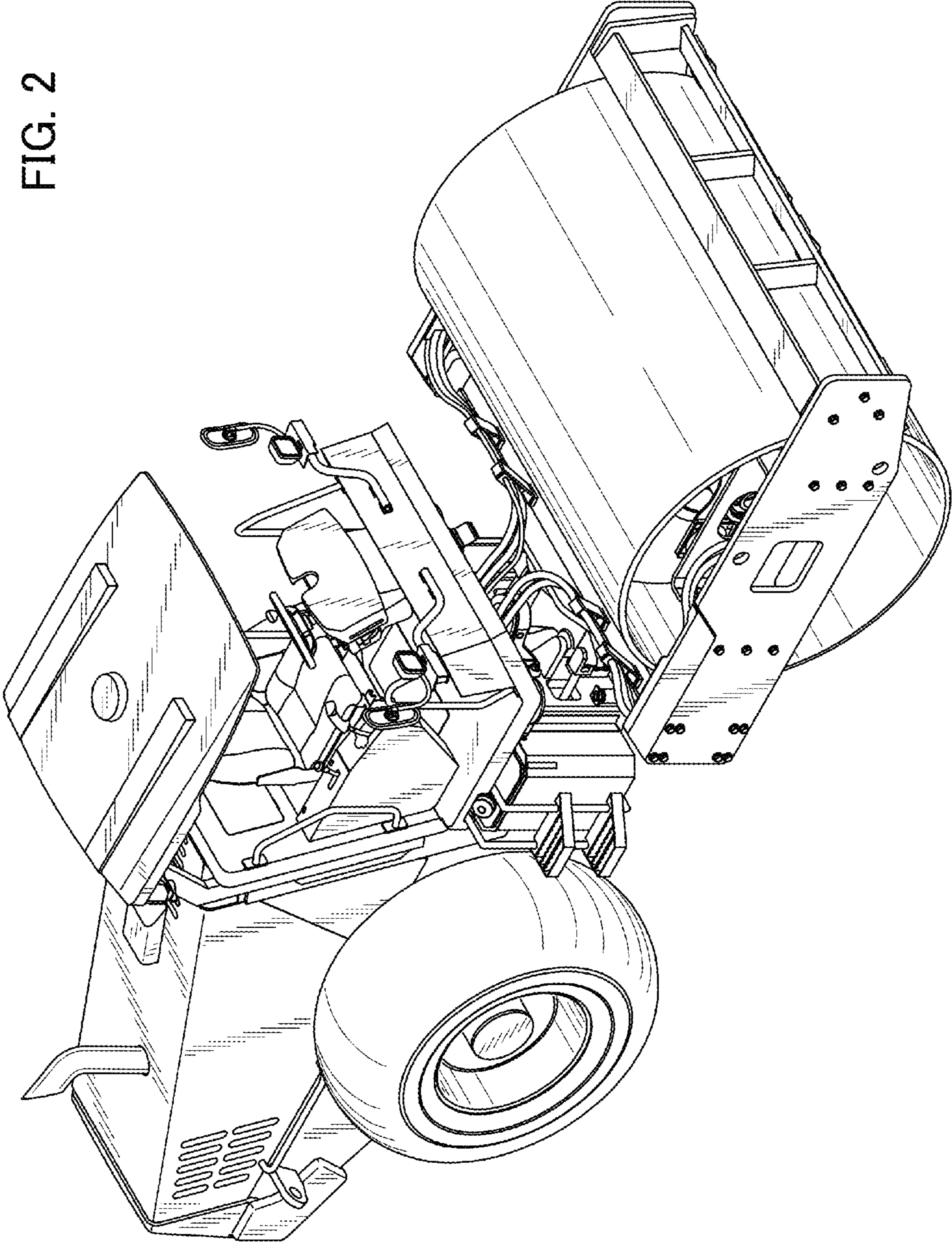


FIG. 3

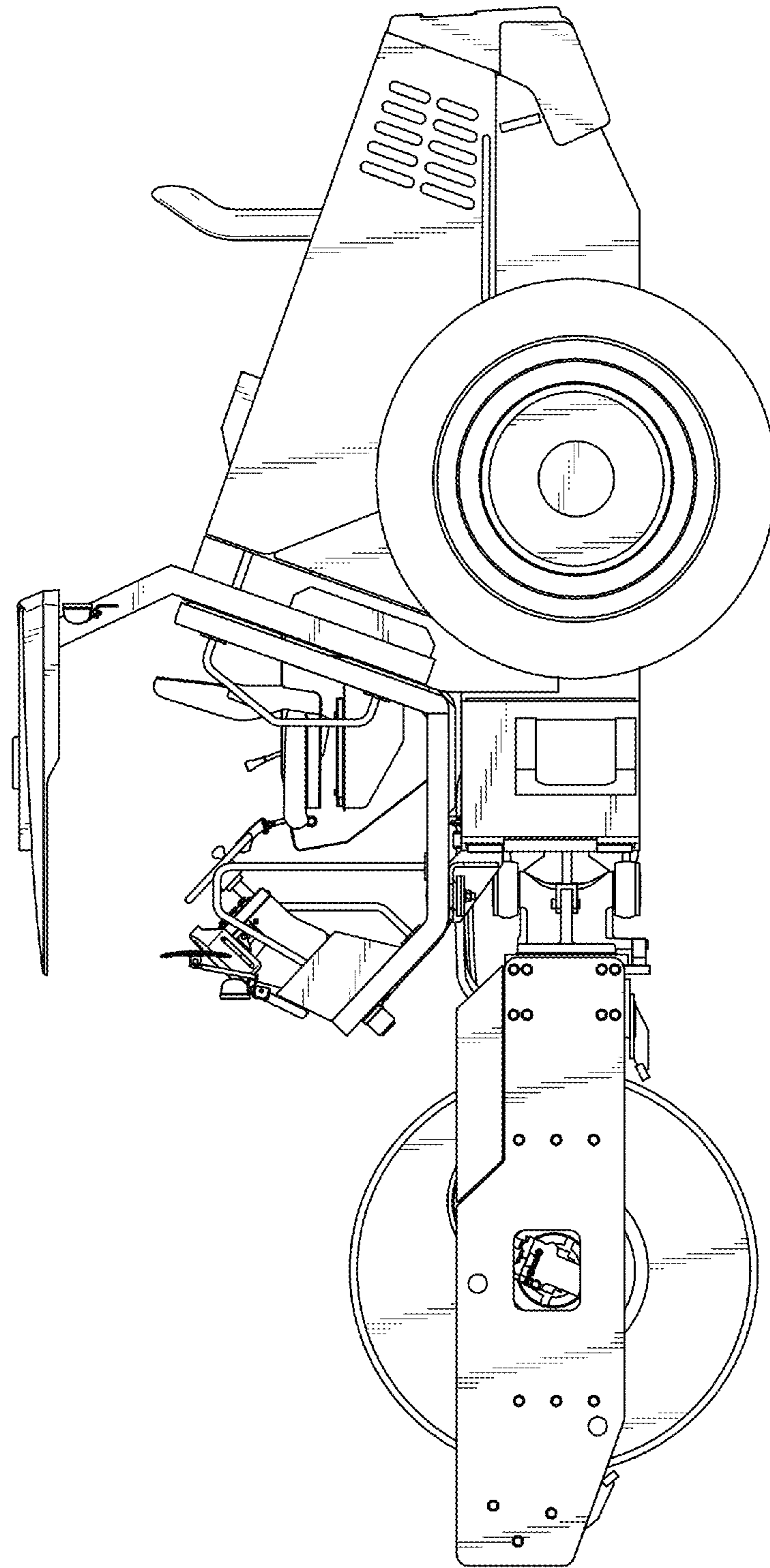


FIG. 4

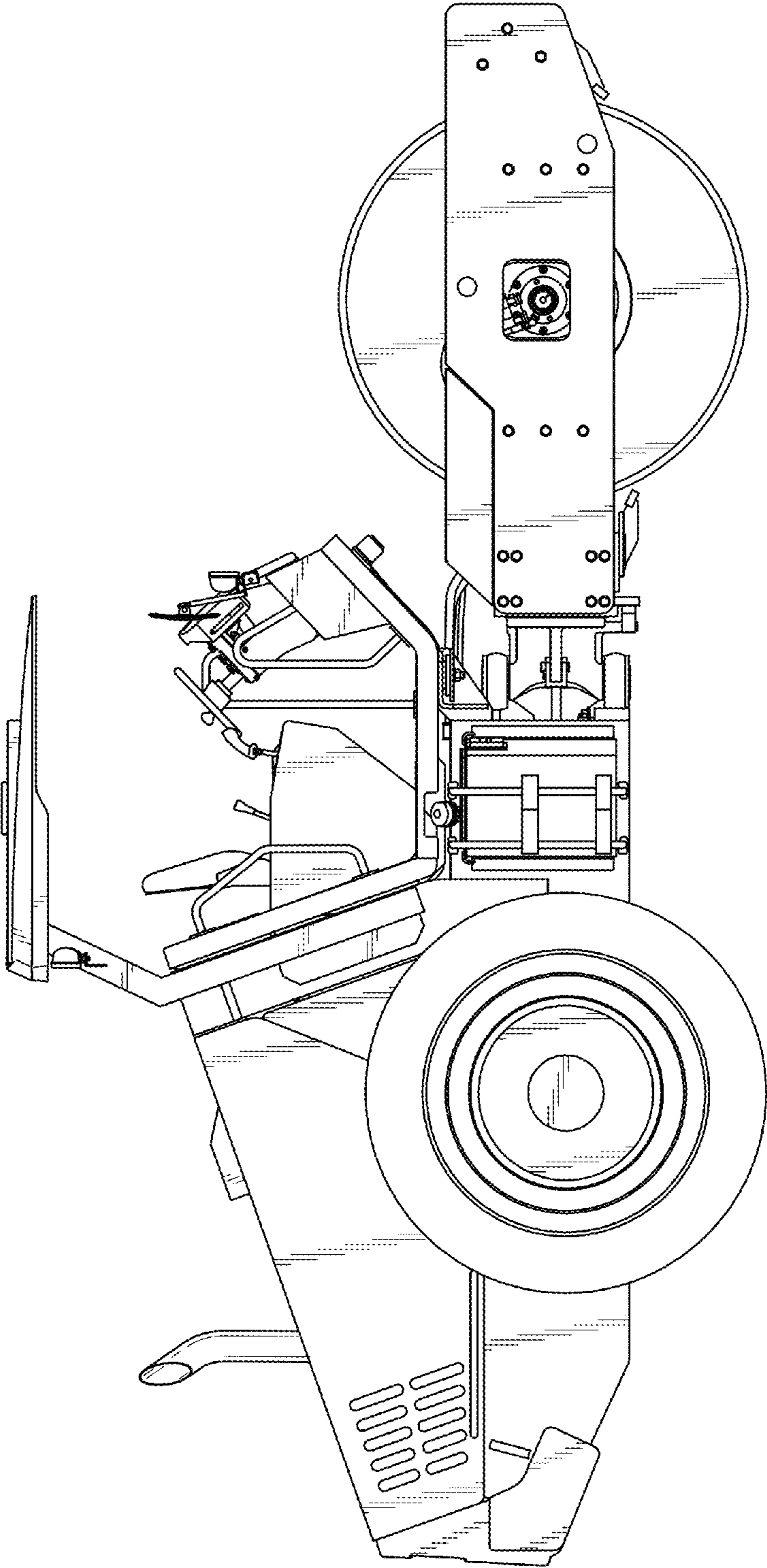


FIG. 5

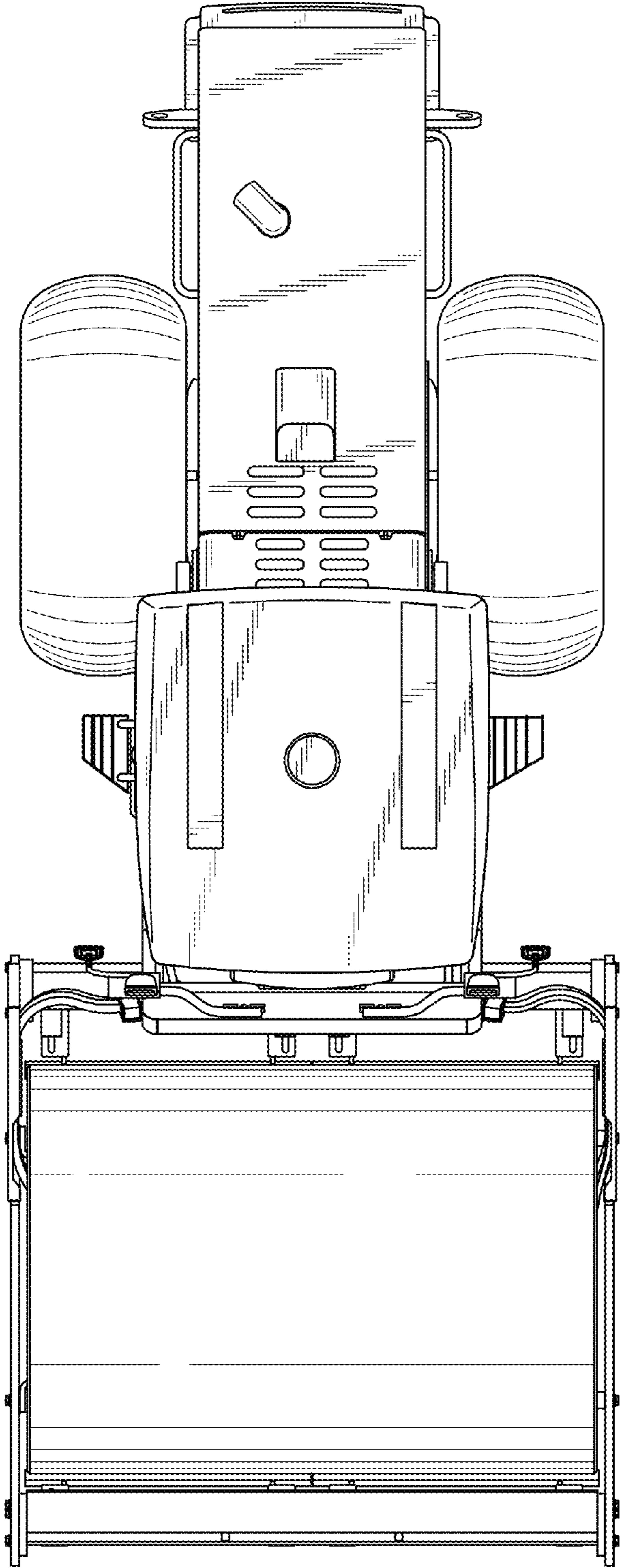


FIG. 6

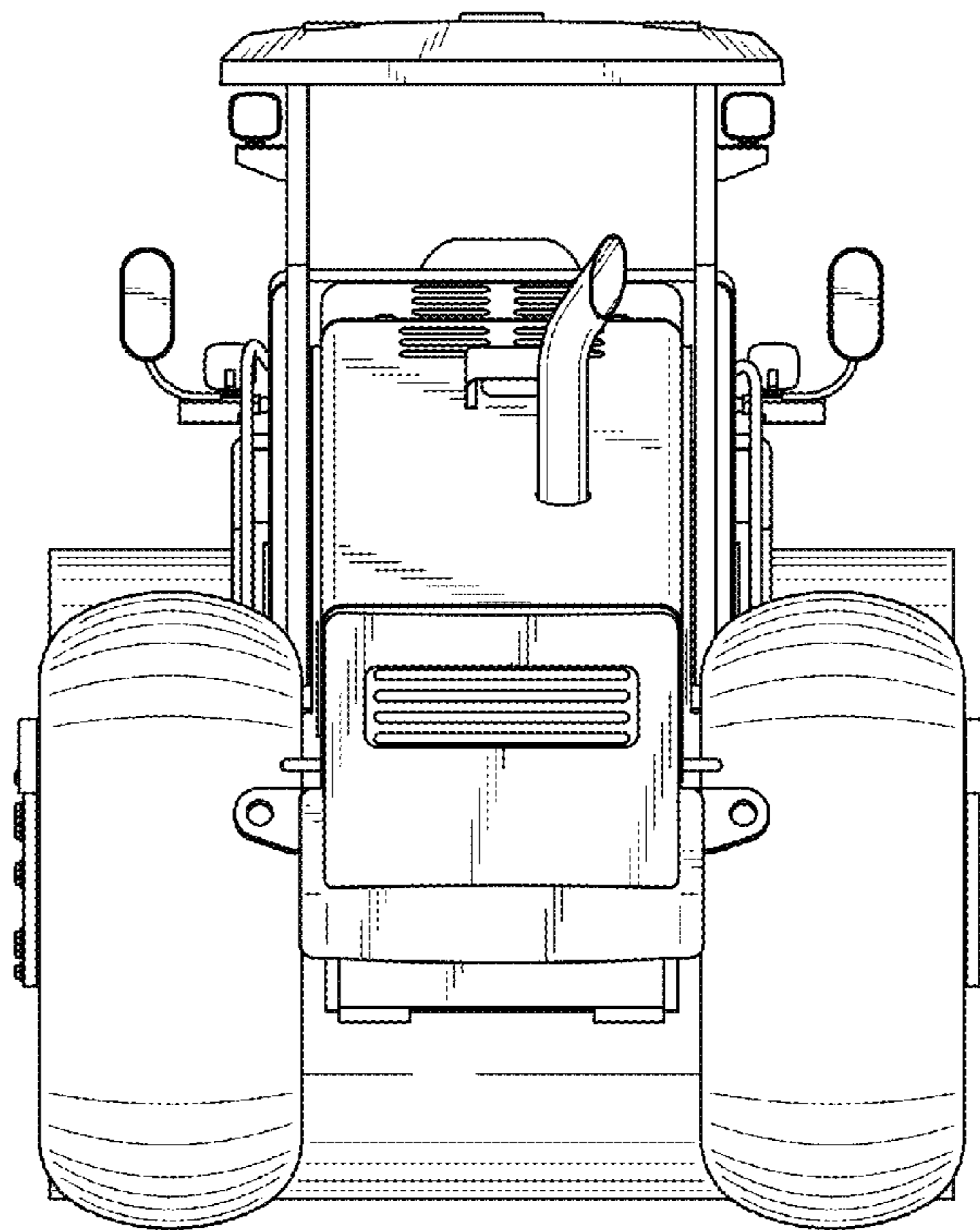


FIG. 7

