



US00D668268S

(12) **United States Design Patent**  
**Haener et al.**

(10) **Patent No.:** **US D668,268 S**

(45) **Date of Patent:** **\*\* Oct. 2, 2012**

(54) **DUAL PISTON INFLATOR**

(56) **References Cited**

(75) Inventors: **Brandt A. Haener**, Los Osos, CA (US);  
**Ethan T. Stansbury**, Tustin, CA (US);  
**Brendan P. Kelso**, Atascadero, CA (US);  
**Bria R. Diccico**, San Luis Obispo, CA  
(US); **Bryan D. Smith**, Arroyo Grande,  
CA (US)

U.S. PATENT DOCUMENTS

D377,967	S	*	2/1997	Rozek et al.	.....	D23/235
D412,174	S	*	7/1999	Faulkner et al.	.....	D15/9
6,431,845	B1	*	8/2002	Thomas et al.	.....	417/571
D499,119	S	*	11/2004	Thomas et al.	.....	D15/9
D537,842	S	*	3/2007	Moser	.....	D15/9
D613,633	S	*	4/2010	Leu et al.	.....	D15/9

\* cited by examiner

(73) Assignee: **Illinois Tool Works Inc.**, Glenview, IL  
(US)

*Primary Examiner* — Ralf Seifert

(74) *Attorney, Agent, or Firm* — Pauley Petersen & Erickson

(\*\*) Term: **14 Years**

(57) **CLAIM**

The ornamental design for a dual piston inflator, as shown and described.

(21) Appl. No.: **29/405,260**

**DESCRIPTION**

(22) Filed: **Oct. 31, 2011**

(51) **LOC (9) Cl.** ..... **15-02**

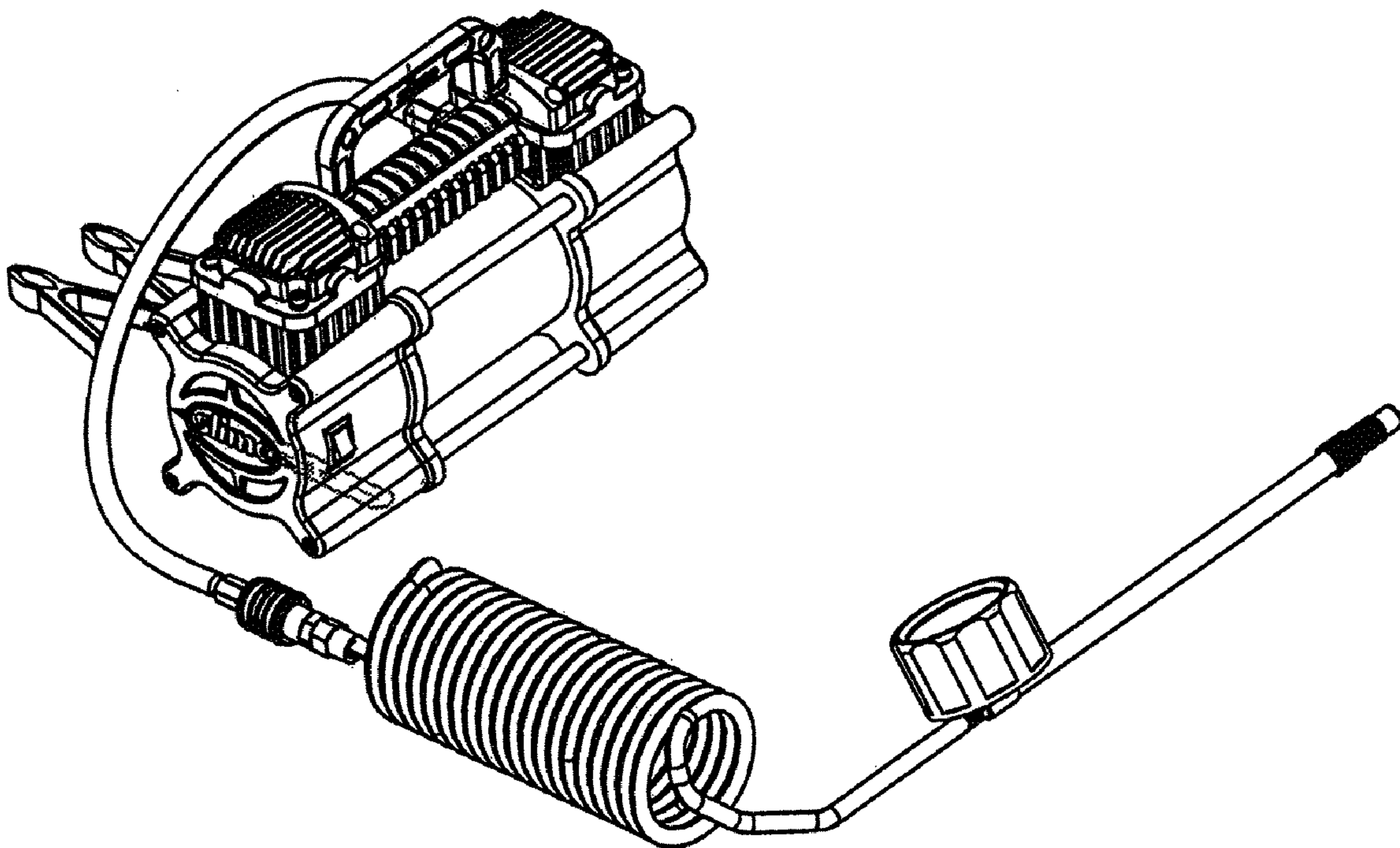
(52) **U.S. Cl.** ..... **D15/9**

(58) **Field of Classification Search** ..... D15/7-9;  
D23/231, 232, 225; 417/60, 235, 265, 321,  
417/355, 358, 363, 359, 410.1, 415-416,  
417/405, 900; 60/408, 412; 184/26-37;  
415/140-147; 123/495, 509

FIG. 1 is a side perspective view of a dual piston inflator.  
FIG. 2 is a top view of the inflator shown in FIG. 1.  
FIG. 3 is a right side view of the inflator shown in FIG. 1.  
FIG. 4 is a left side view of the inflator shown in FIG. 1.  
FIG. 5 is a front view of the inflator shown in FIG. 1.  
FIG. 6 is a rear view of the inflator shown in FIG. 1; and,  
FIG. 7 is a bottom view of the inflator shown in FIG. 1.

See application file for complete search history.

**1 Claim, 4 Drawing Sheets**



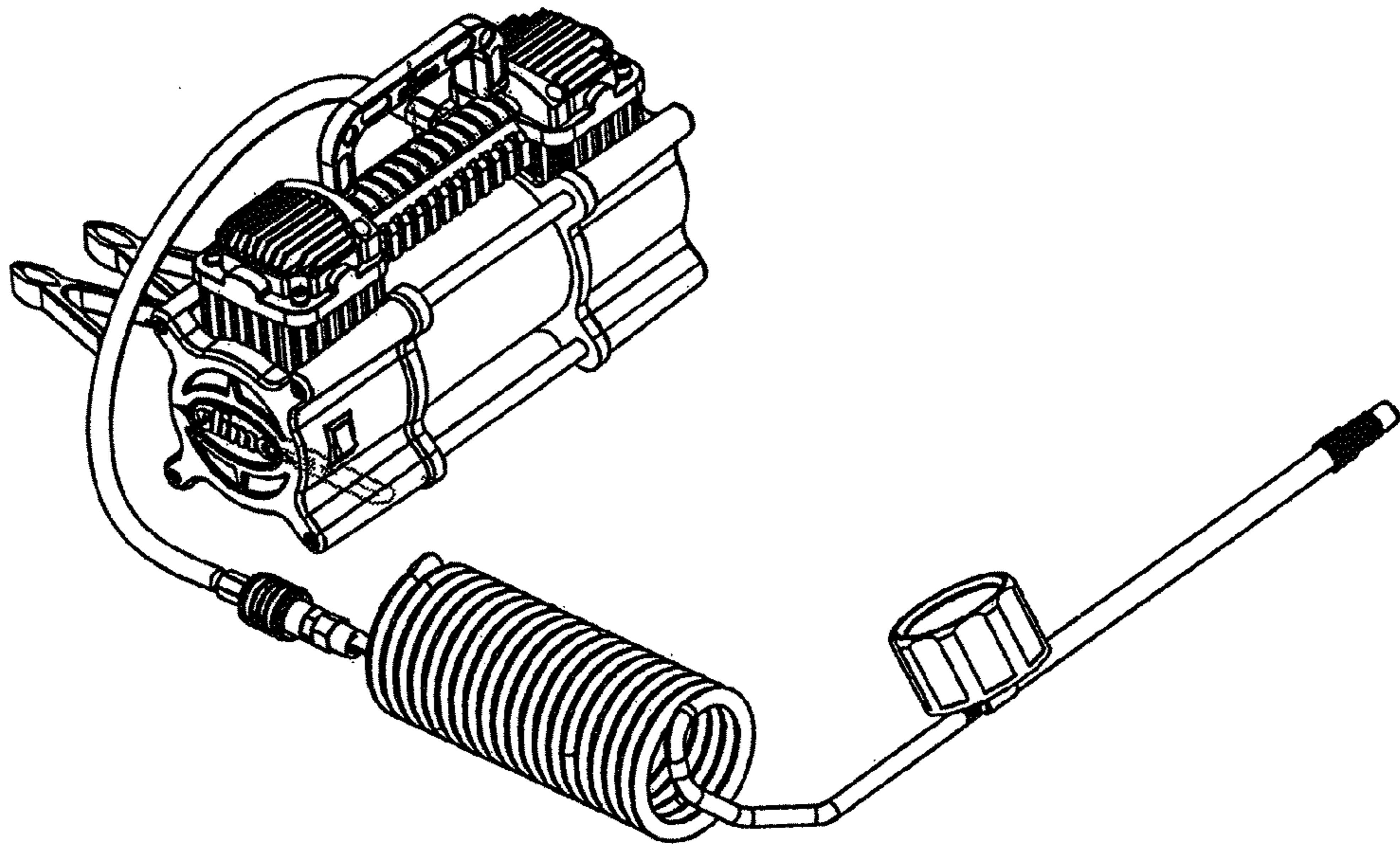


FIG. 1

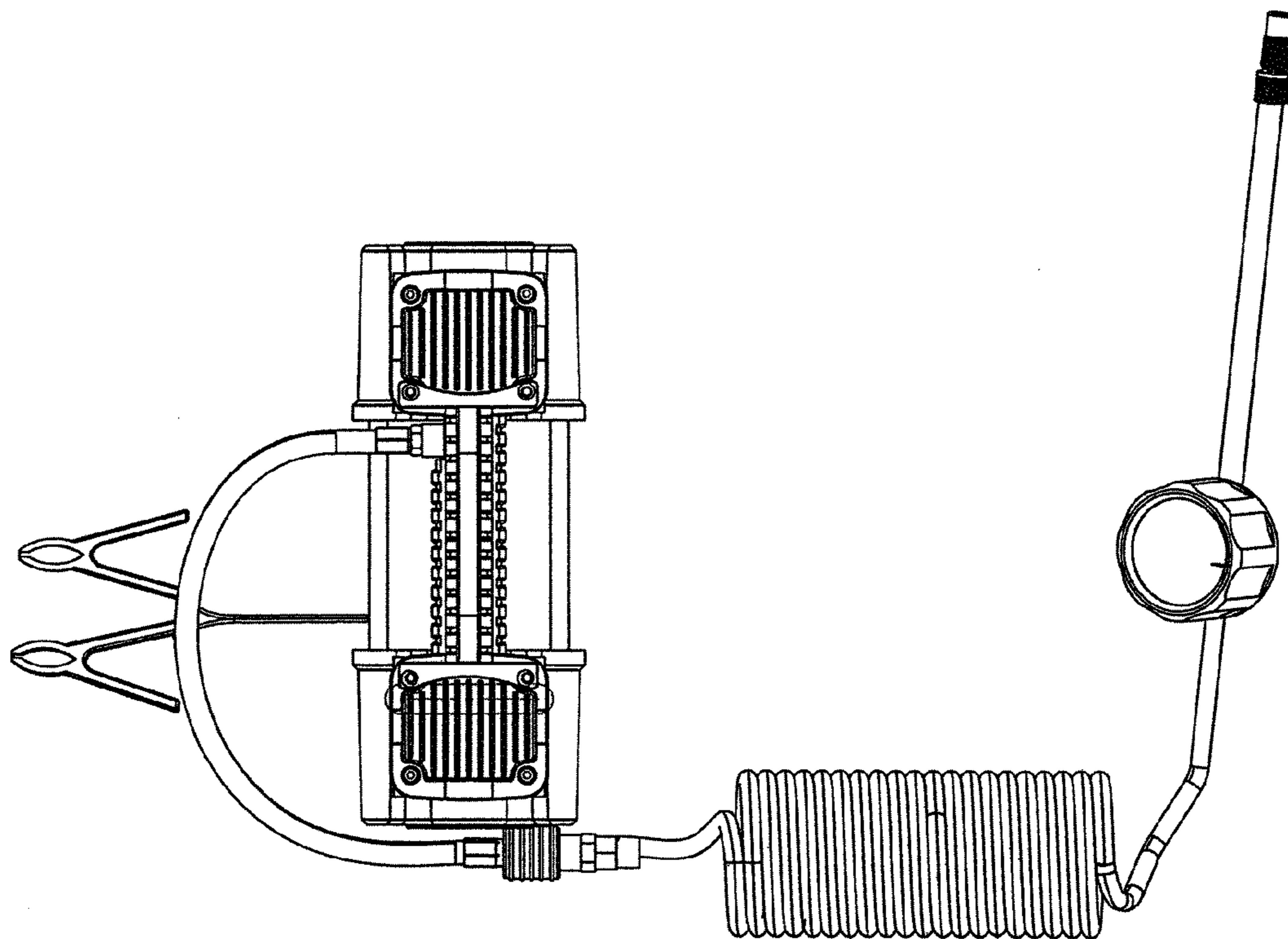


FIG. 2



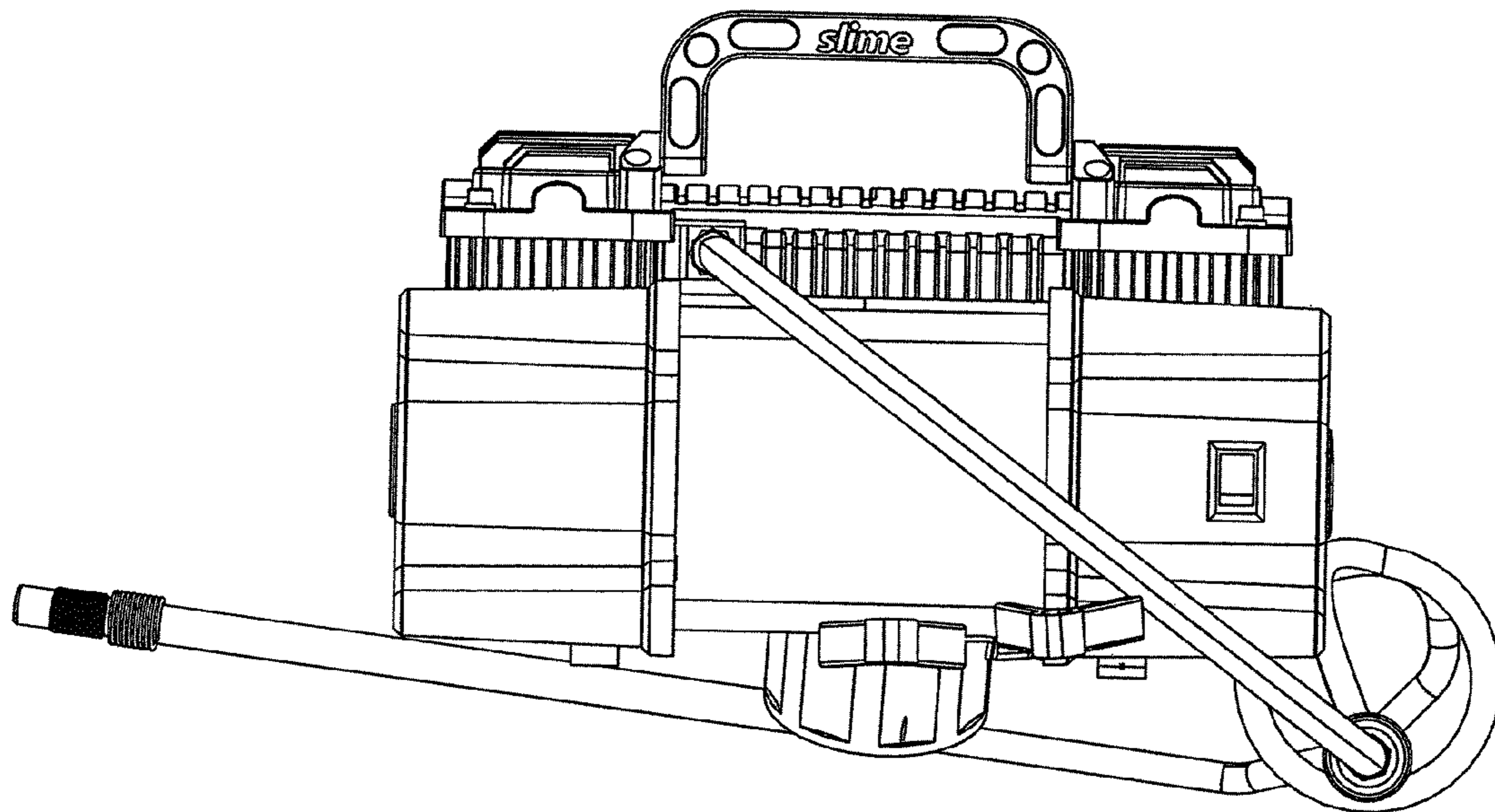


FIG. 3

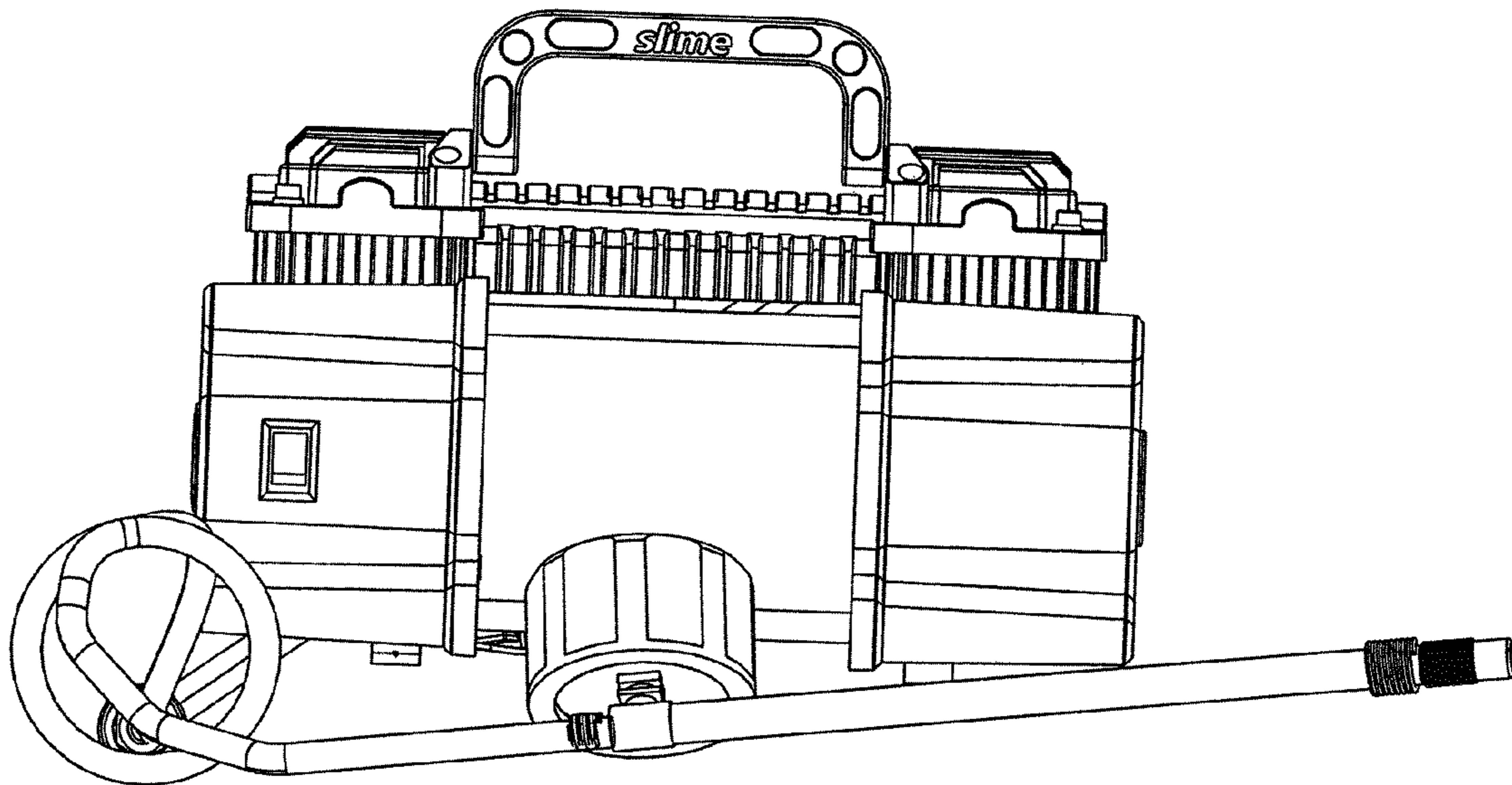


FIG. 4

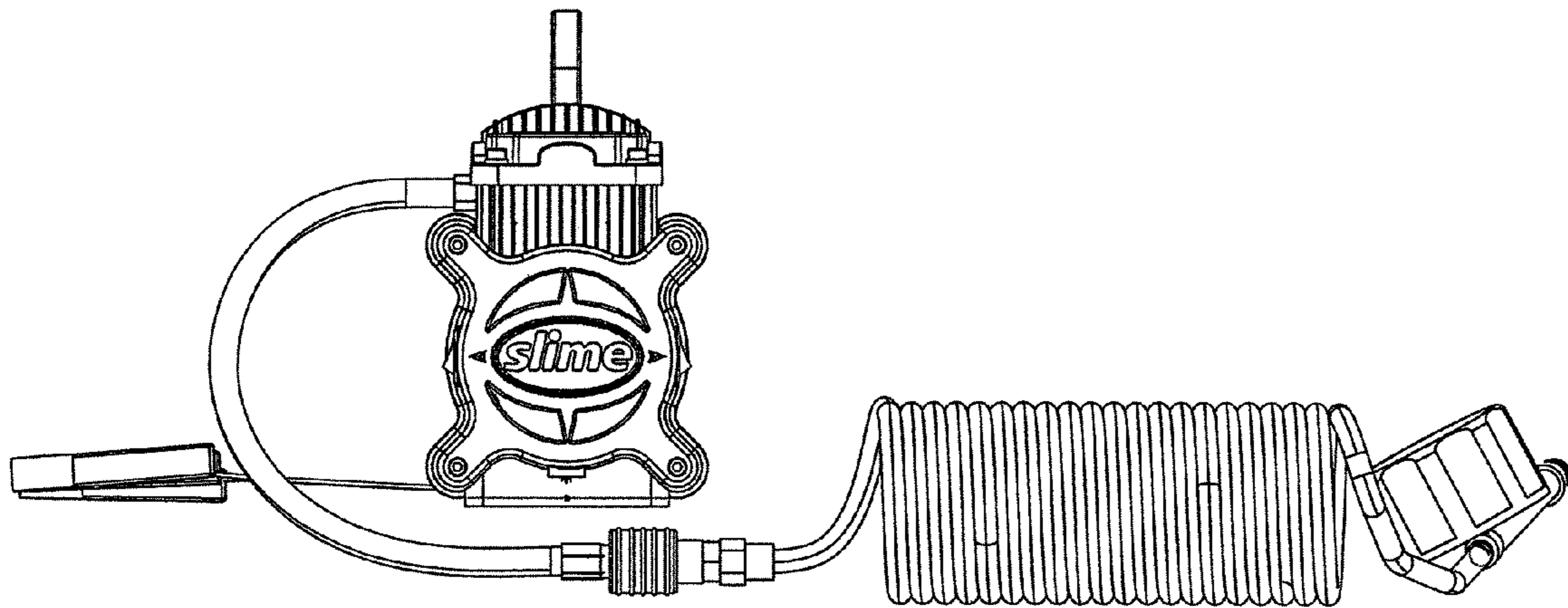


FIG. 5

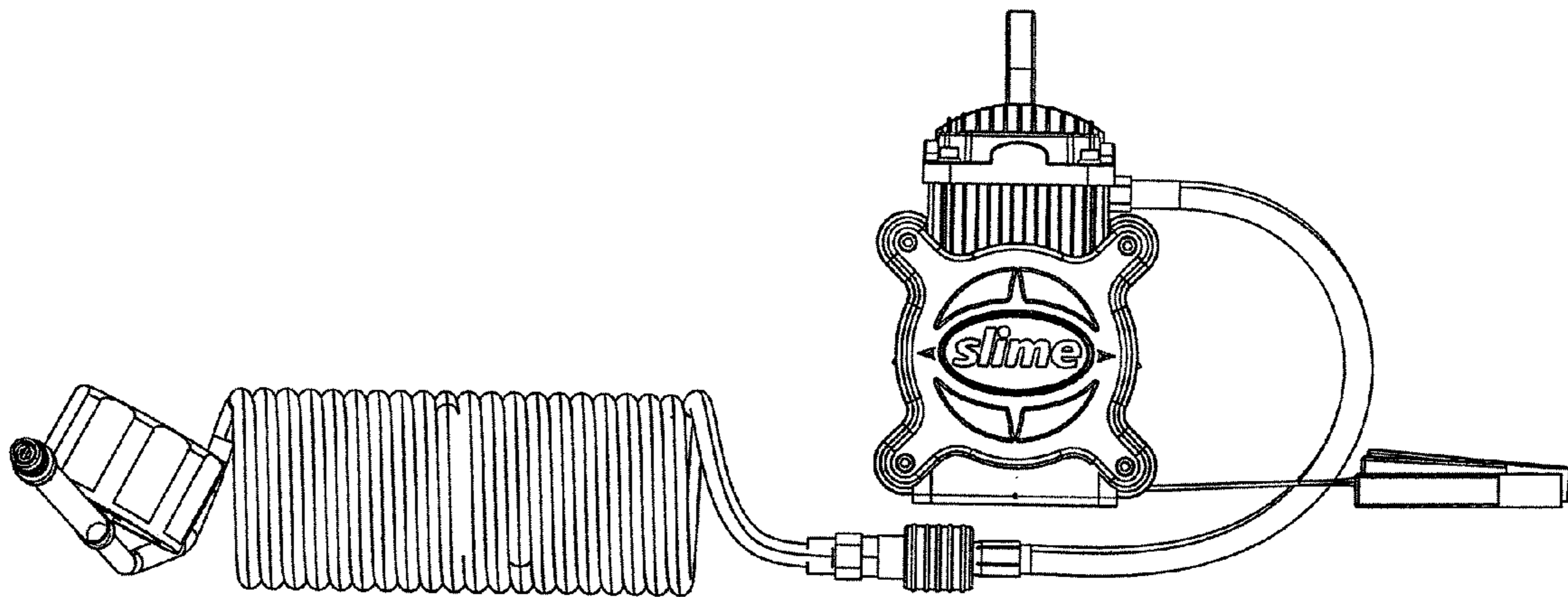


FIG. 6

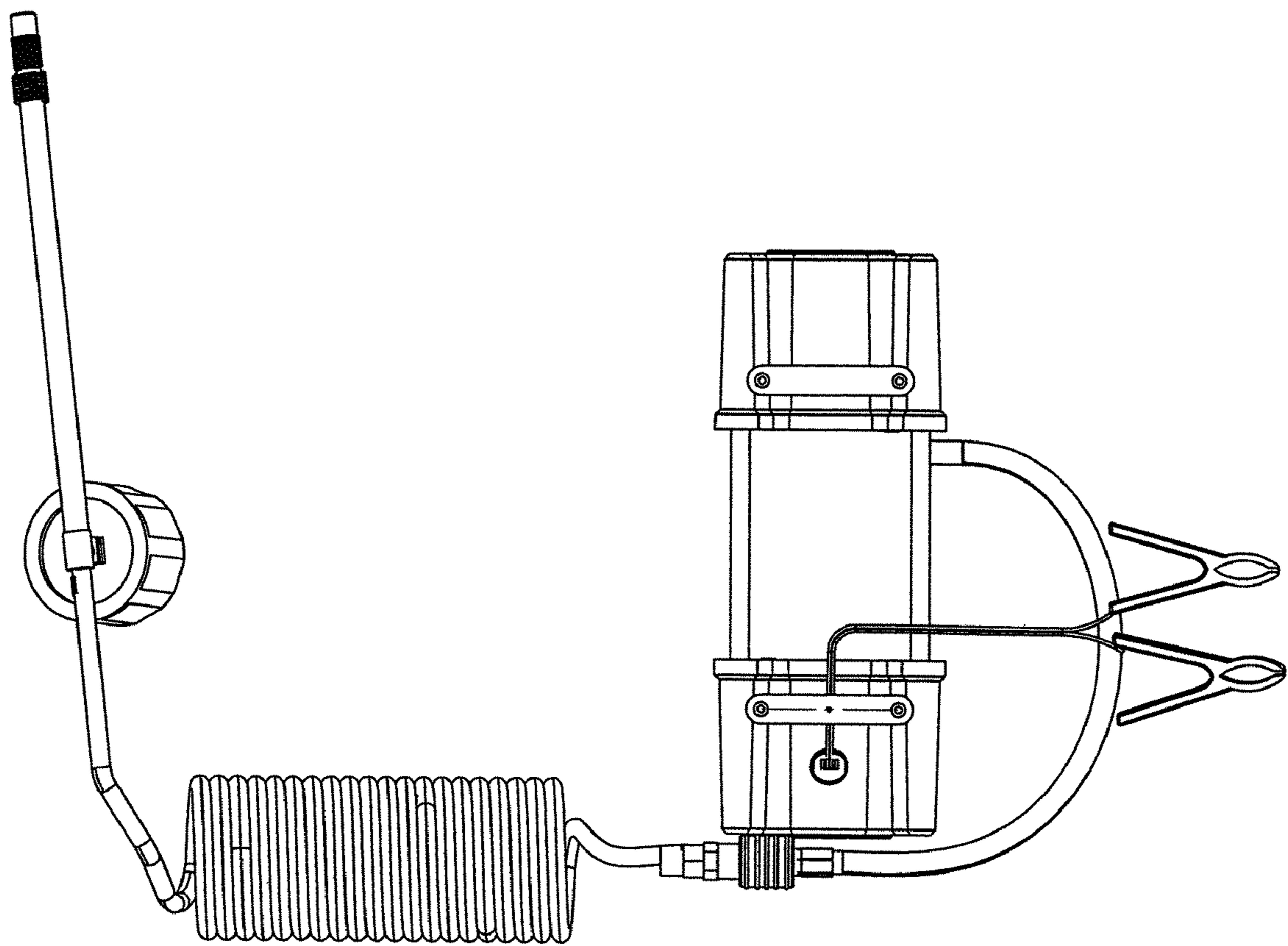


FIG. 7