



US00D668267S

(12) **United States Design Patent**
Hawkins

(10) **Patent No.:** **US D668,267 S**
(45) **Date of Patent:** **** Oct. 2, 2012**

(54) **FRAME FOR WHEELED, MANUALLY MOVEABLE TRASH PUMP**

(76) Inventor: **Bobby L. Hawkins**, Travelers Rest, SC (US)

(**) Term: **14 Years**

(21) Appl. No.: **29/379,219**

(22) Filed: **Nov. 16, 2010**

(51) **LOC (9) Cl.** **15-02**

(52) **U.S. Cl.** **D15/7**

(58) **Field of Classification Search** D15/7-9;
D23/231, 232, 225; 417/60, 196, 235, 265,
417/321, 355, 358, 363, 359, 410.1, 415-416,
417/405, 900; 60/408, 412; 184/26-37;
415/140-147; 123/495, 509; 416/1; D32/15
See application file for complete search history.

(56) **References Cited**

U.S. PATENT DOCUMENTS

4,419,048	A	12/1983	Pilachowski et al.	
4,790,559	A *	12/1988	Edmonds	280/655
5,080,387	A *	1/1992	Ryals	280/645
6,471,476	B1	10/2002	Diels et al.	
D467,692	S *	12/2002	Morgan et al.	D32/15
D491,197	S *	6/2004	Stilwell et al.	D15/9
7,316,286	B2 *	1/2008	Hillary	180/291
D580,610	S *	11/2008	Hawkins	D32/25
D603,871	S *	11/2009	Steinfels et al.	D15/7
D655,467	S *	3/2012	Hawkins	D32/25

OTHER PUBLICATIONS

Owner'S Manual, Model TTP-300 3x3 Commercial Trash Pump, Titan Industries, Revision #030321A, Mar. 21, 2003.

* cited by examiner

Primary Examiner — Ralf Seifert

(74) *Attorney, Agent, or Firm* — Dority & Manning, P.A.

(57) **CLAIM**

The ornamental design for a frame for wheeled, manually moveable trash pump, as shown and described.

DESCRIPTION

FIG. 1 is an elevated perspective view of a presently preferred embodiment of frame for wheeled, manually moveable trash pump;

FIG. 2 is a plan view of the left side of a presently preferred embodiment of the frame for wheeled, manually moveable trash pump, the right side plan view being a mirror image thereof;

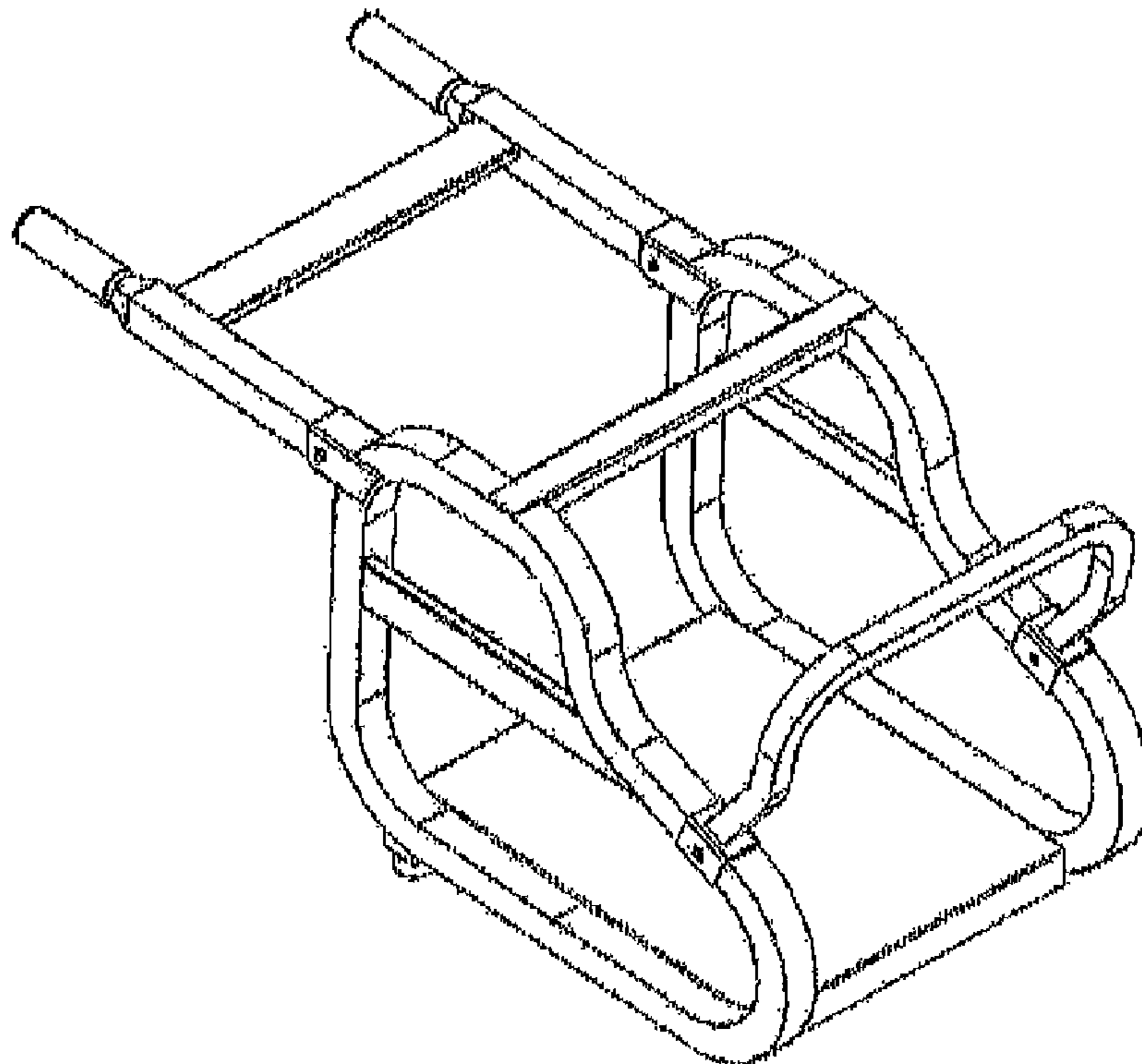
FIG. 3 is a front view of a presently preferred embodiment of frame for wheeled, manually moveable trash pump;

FIG. 4 is a rear view of a presently preferred embodiment of frame for wheeled, manually moveable trash pump;

FIG. 5 is a top view of a presently preferred embodiment of frame for wheeled, manually moveable trash pump; and,

FIG. 6 is a bottom view of a presently preferred embodiment of frame for wheeled, manually moveable trash pump.

1 Claim, 6 Drawing Sheets



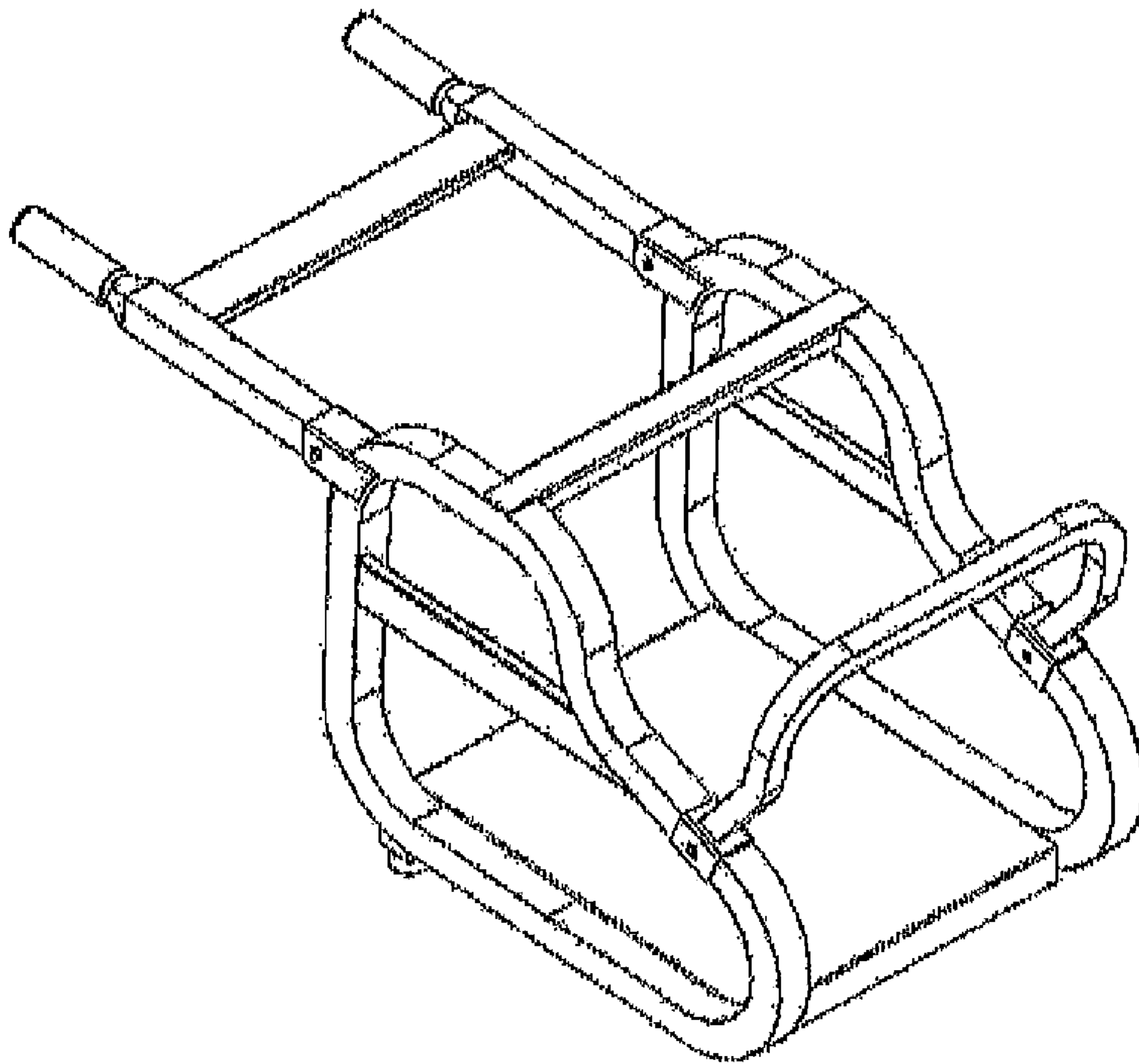


Fig. 1

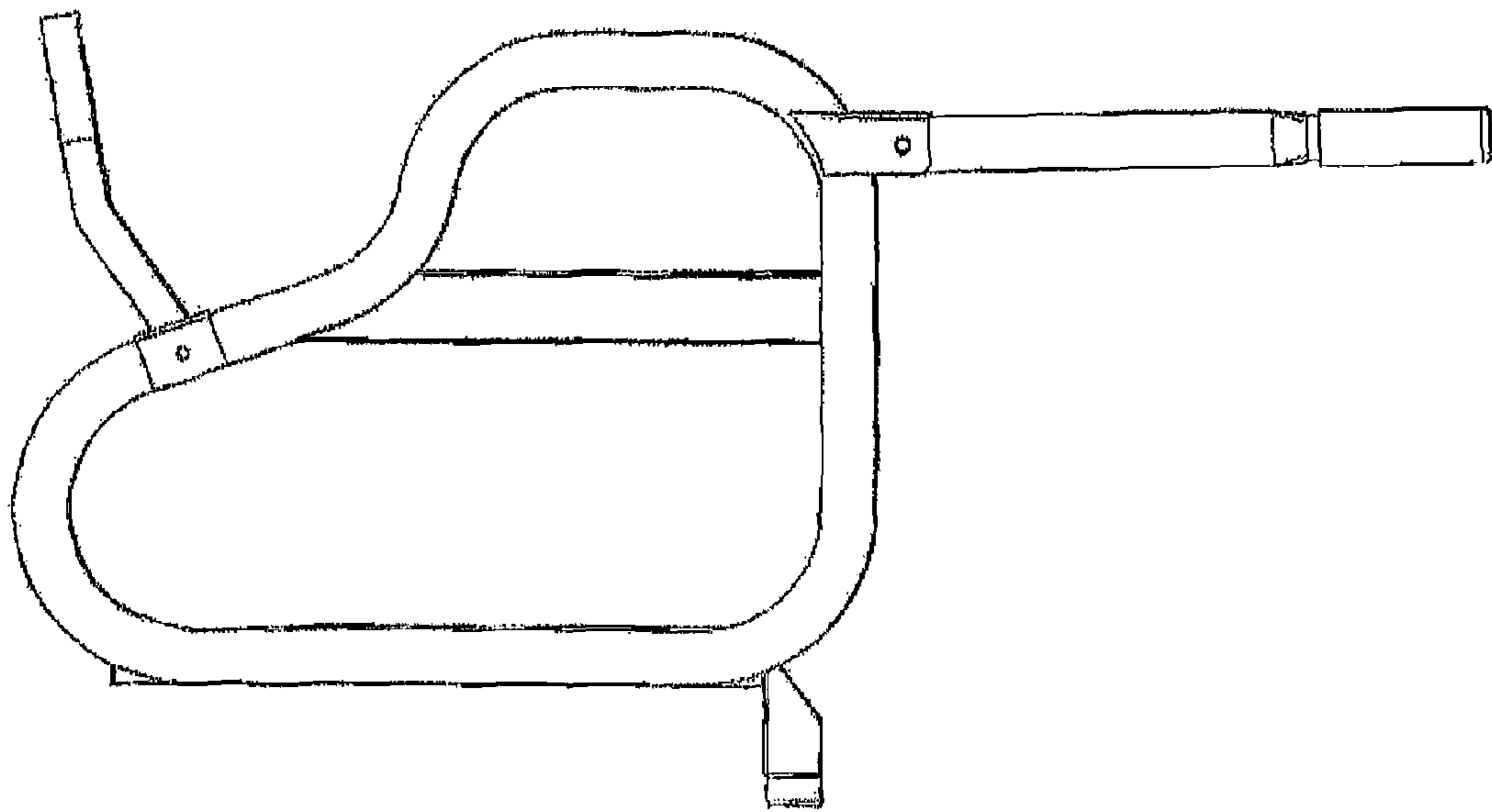


Fig. 2

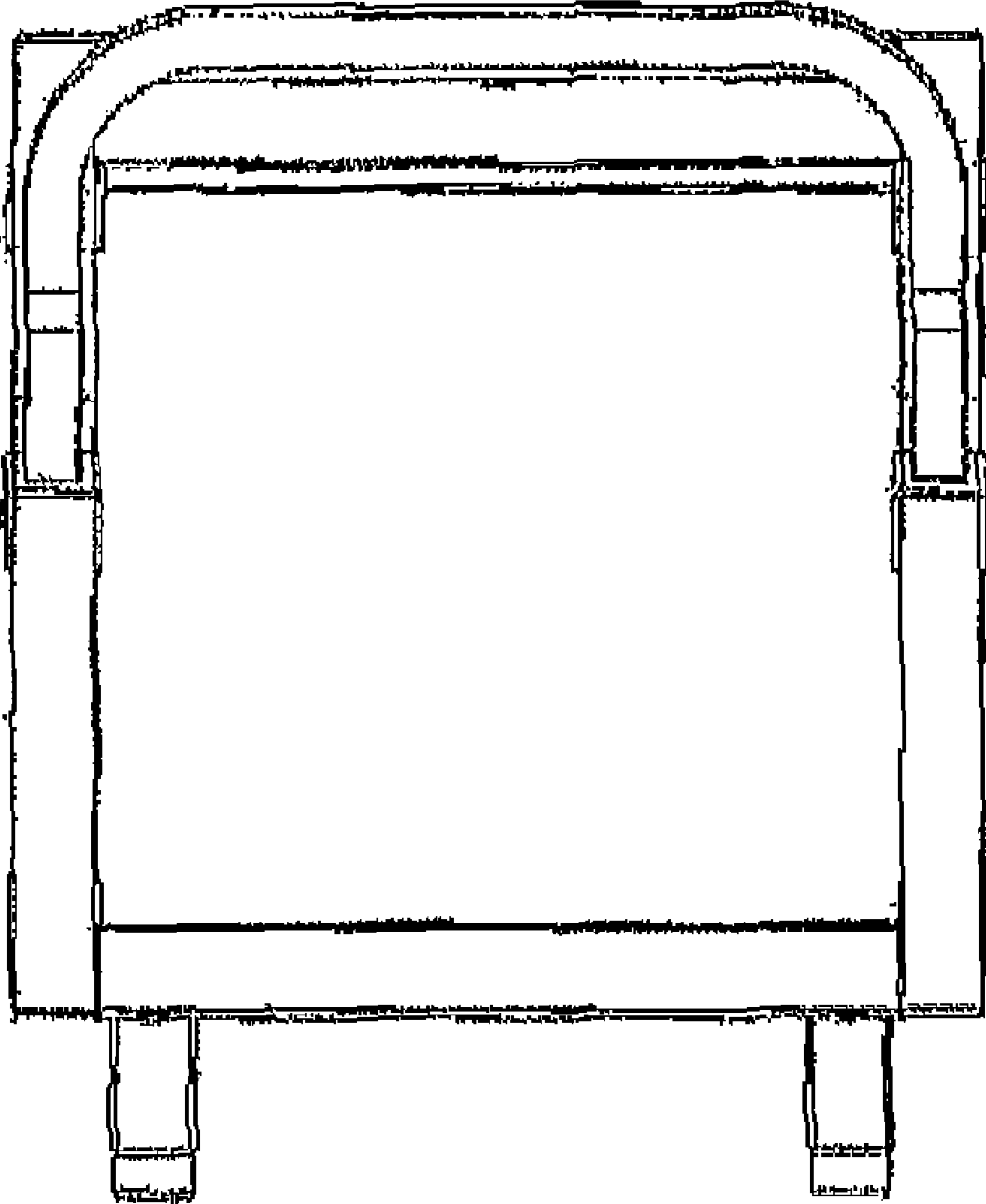


Fig. 3

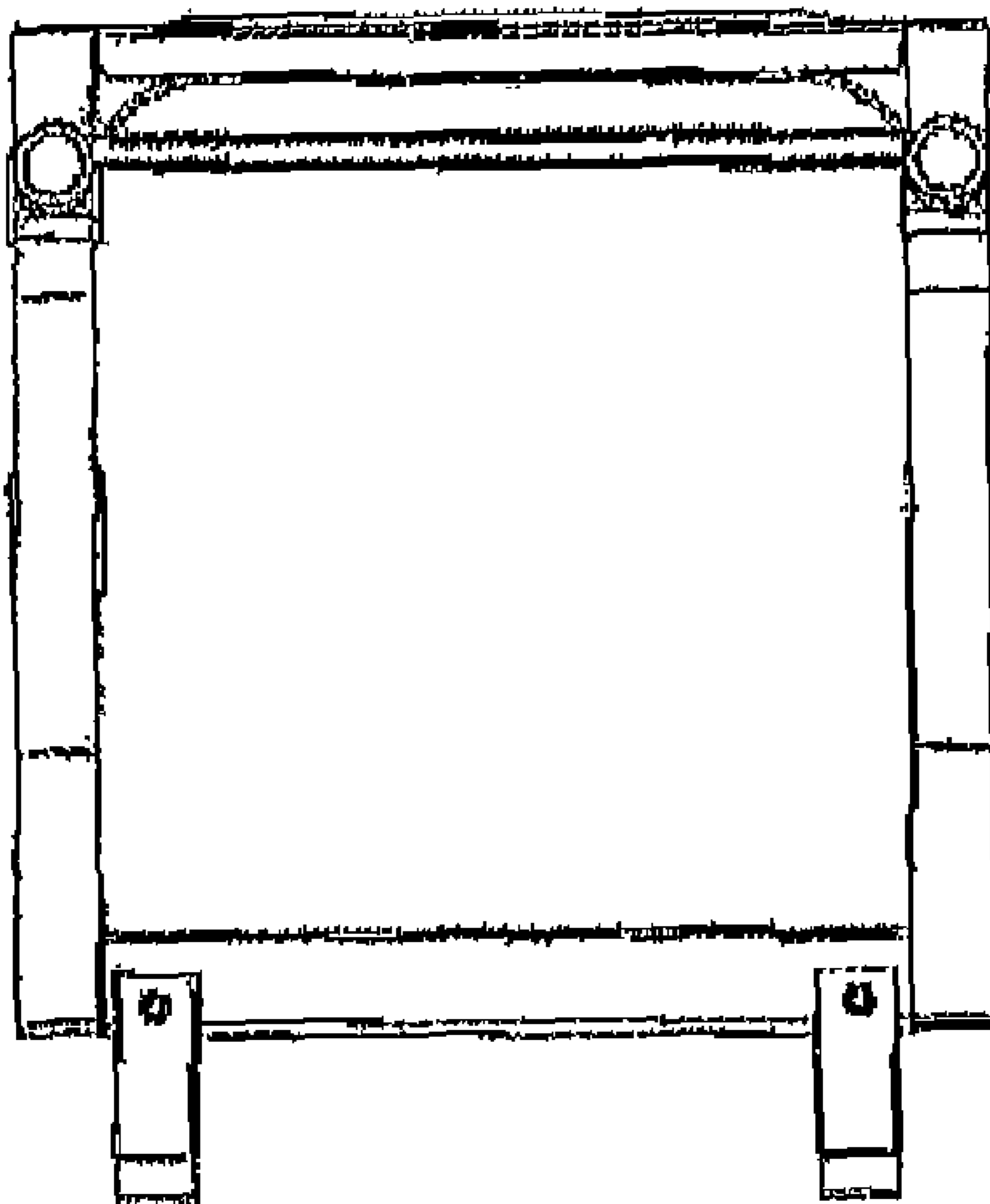


Fig. 4

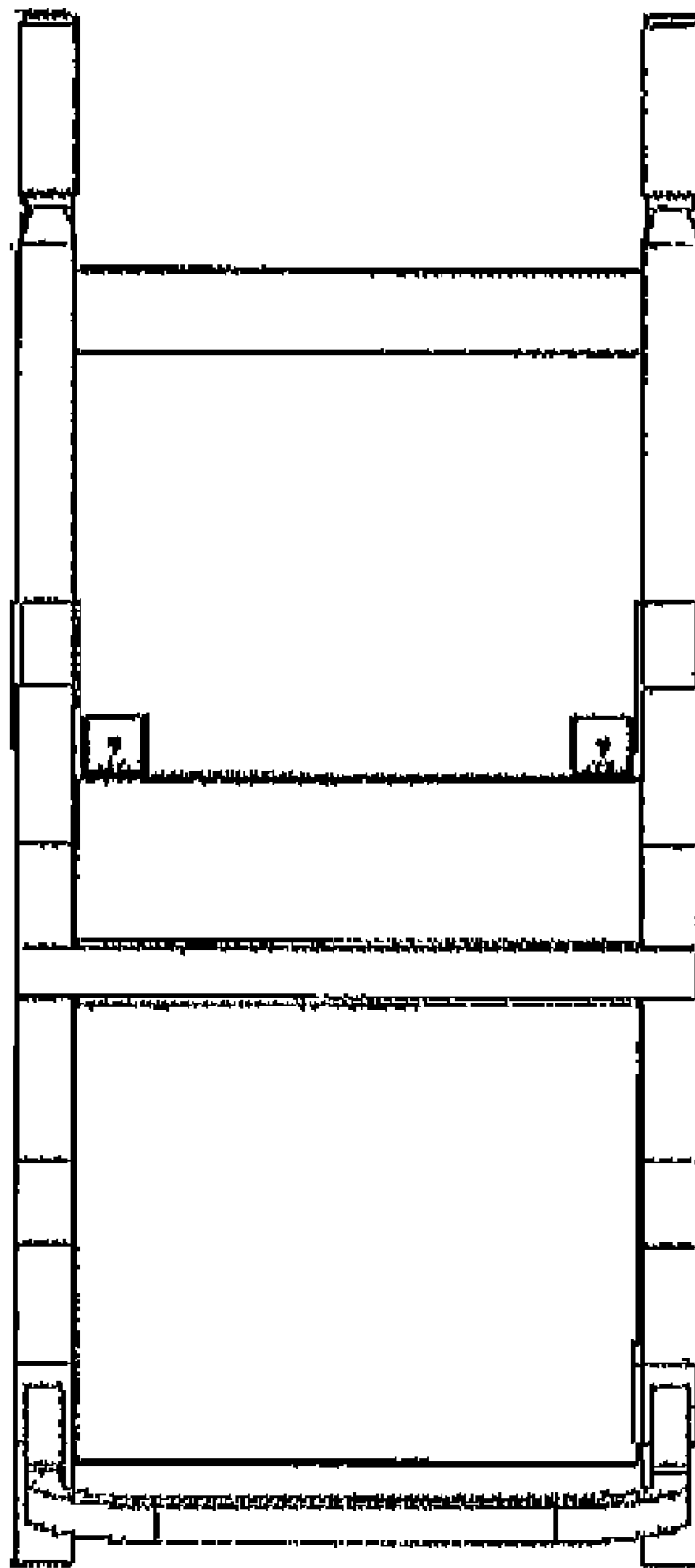


Fig. 5

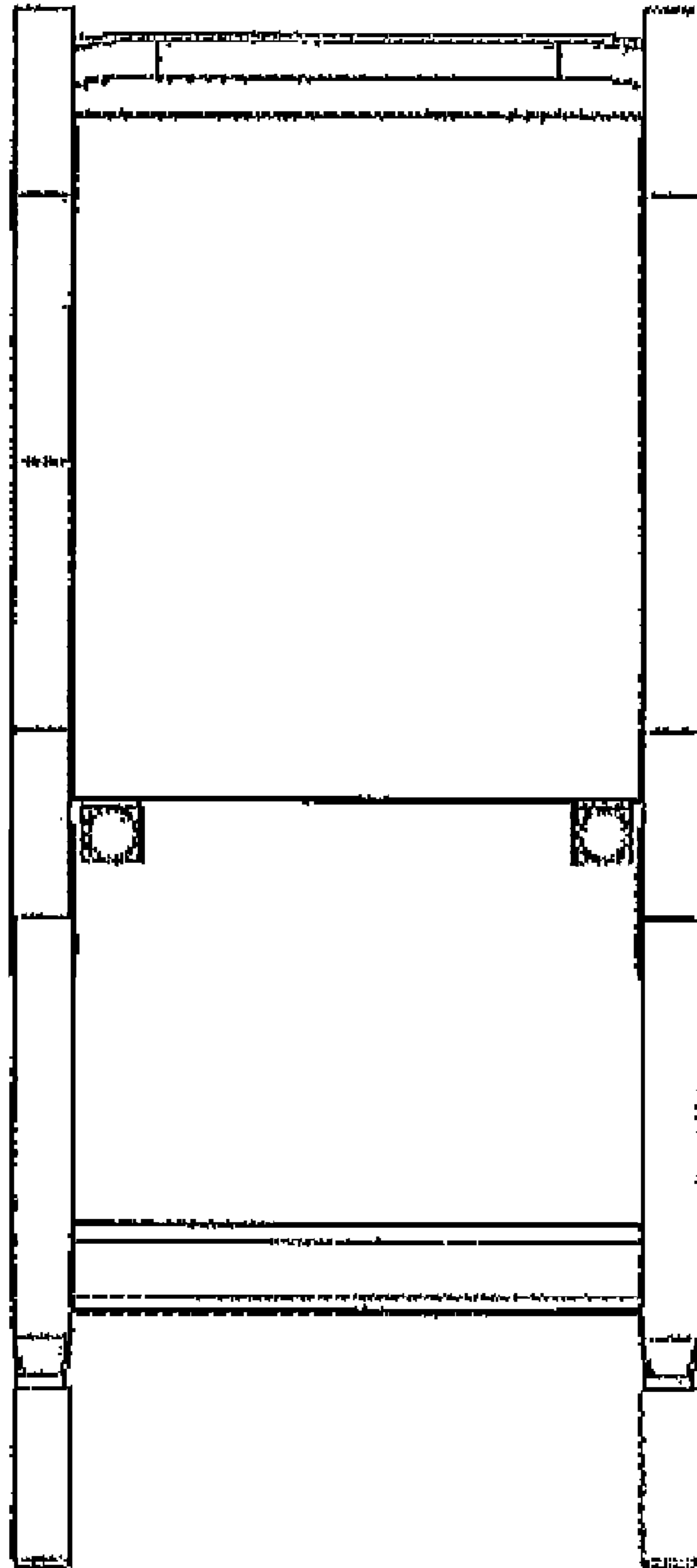


Fig. 6