

US00D668266S

(12) **United States Design Patent**  
**Ramirez, Jr.**

(10) **Patent No.:** **US D668,266 S**  
(45) **Date of Patent:** **\*\* Oct. 2, 2012**

(54) **PERISTALTIC PUMP FRONT HOUSING**

(75) Inventor: **Emilio A. Ramirez, Jr.**, Roselle, IL (US)

(73) Assignee: **Molon Motor and Coil Corporation**,  
Arlington Heights, IL (US)

(\*\*) Term: **14 Years**

(21) Appl. No.: **29/375,160**

(22) Filed: **Sep. 17, 2010**

(51) **LOC (9) Cl.** ..... **15-02**

(52) **U.S. Cl.** ..... **D15/7**

(58) **Field of Classification Search** ..... D15/7-9;  
D23/231, 232, 225; 417/60, 235, 265, 321,  
417/355, 358, 363, 359, 410.1, 415-416,  
417/405, 900; 60/408, 412; 184/26-37;  
415/140-147; 123/495, 509

See application file for complete search history.

(56) **References Cited**

**U.S. PATENT DOCUMENTS**

D575,306 S *	8/2008	Chu	.....	D15/9
D575,307 S *	8/2008	Chu	.....	D15/9
D589,064 S *	3/2009	Chu	.....	D15/9
D603,875 S *	11/2009	Chu	.....	D15/9
D604,747 S *	11/2009	Hodge	.....	D15/9
D657,386 S *	4/2012	Chu	.....	D15/9

\* cited by examiner

*Primary Examiner* — Ralf Seifert

(74) *Attorney, Agent, or Firm* — Bishop & Diehl, Ltd.

(57) **CLAIM**

The ornamental design for the peristaltic pump front housing, as shown and described.

**DESCRIPTION**

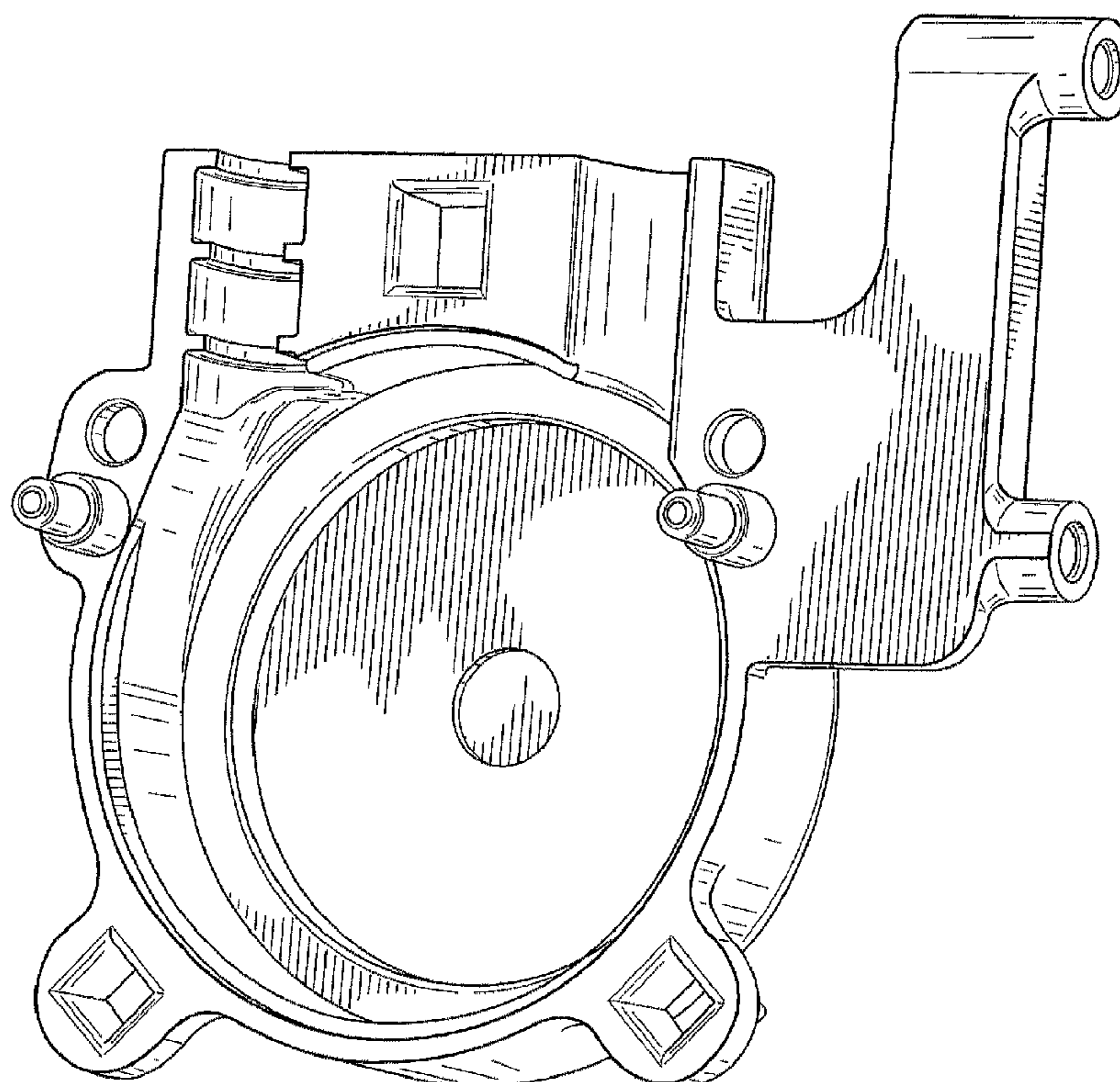
FIG. 1 is a perspective view of a first embodiment of the peristaltic pump front housing showing the new design; FIG. 2 is a front elevational view of the embodiment of FIG. 1;

FIG. 3 is a rear elevational view of the embodiment of FIG. 1; FIG. 4 is a top plan view of the embodiment of FIG. 1; FIG. 5 is a bottom plan view of the embodiment of FIG. 1; FIG. 6 is a side elevational view of one side of the embodiment of FIG. 1; and,

FIG. 7 is a side elevational view of the other side of the embodiment of FIG. 1.

Any components in the appended drawings shown in broken lines are for illustrative purposes only and form no part of the claimed design or a specified embodiment thereof.

**1 Claim, 5 Drawing Sheets**



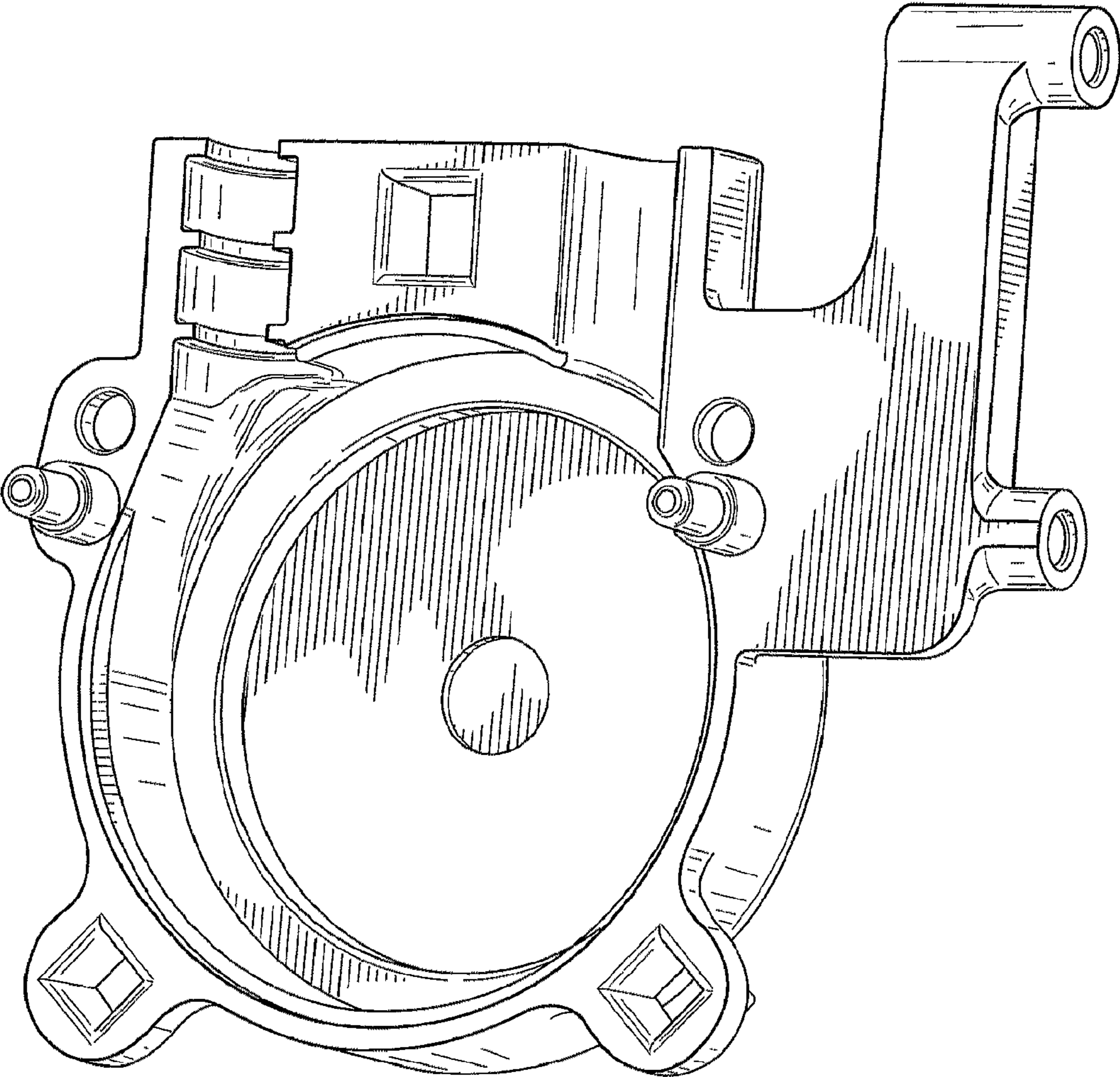


FIG. 1

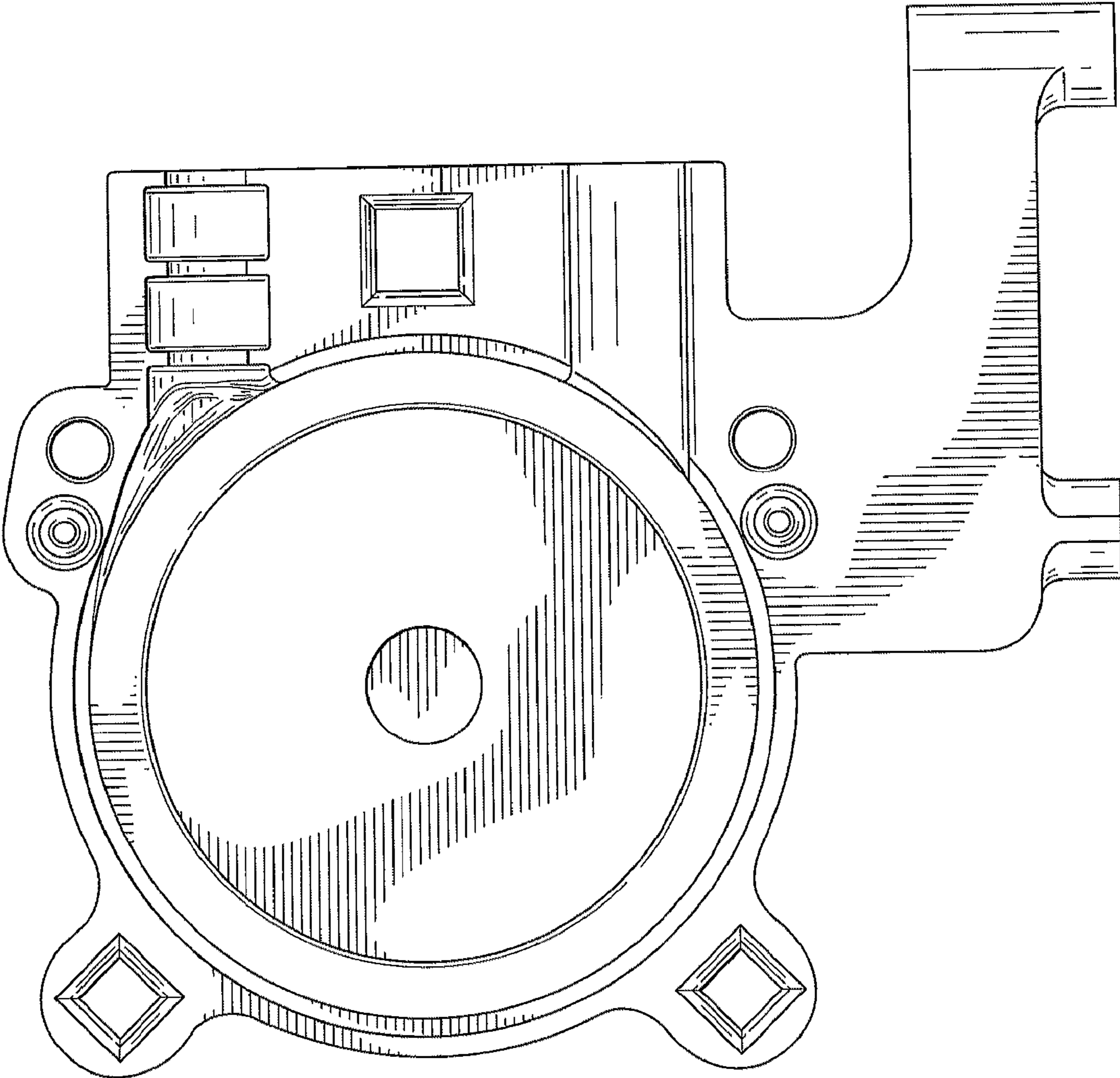


FIG. 2



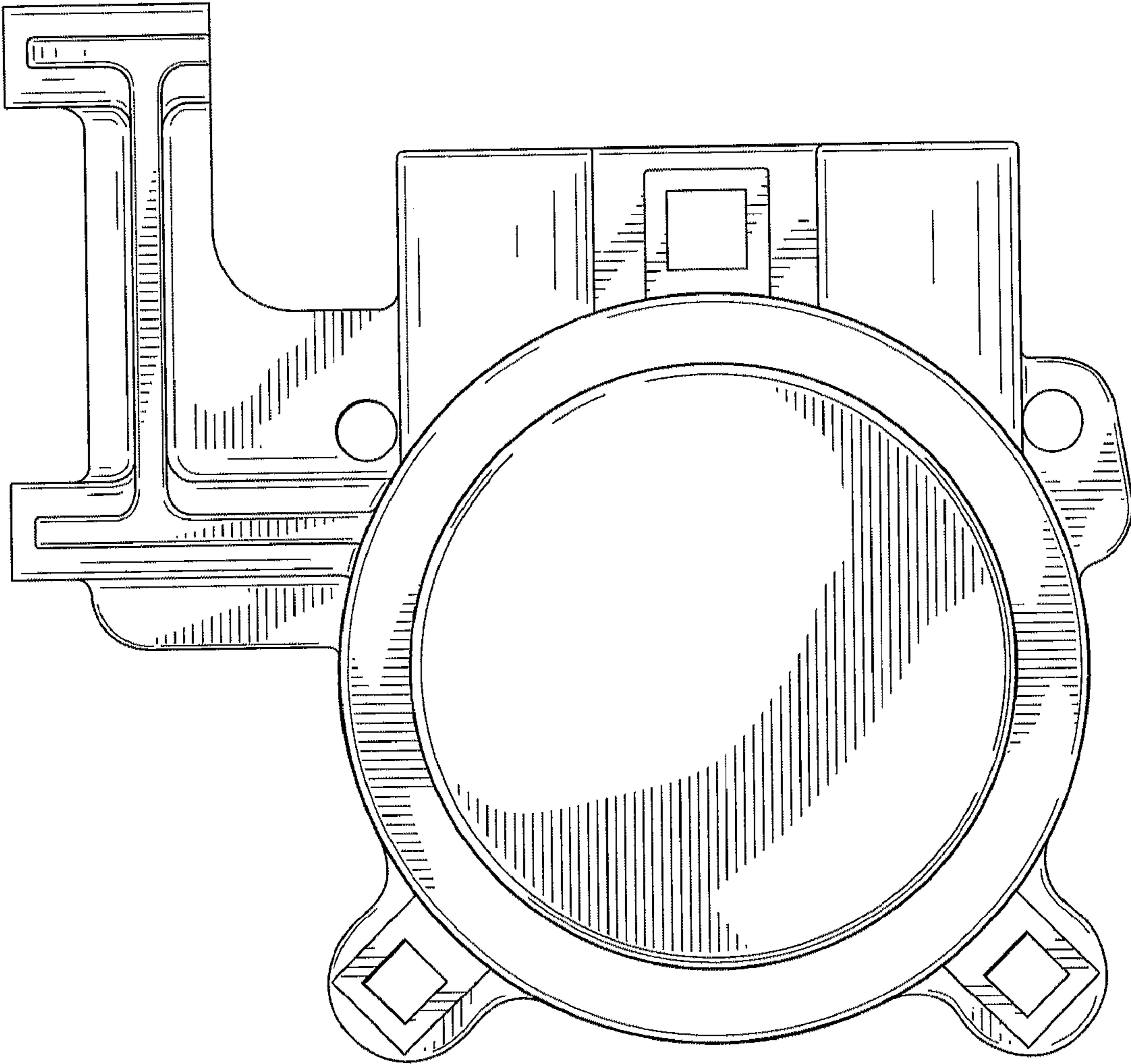


FIG. 3

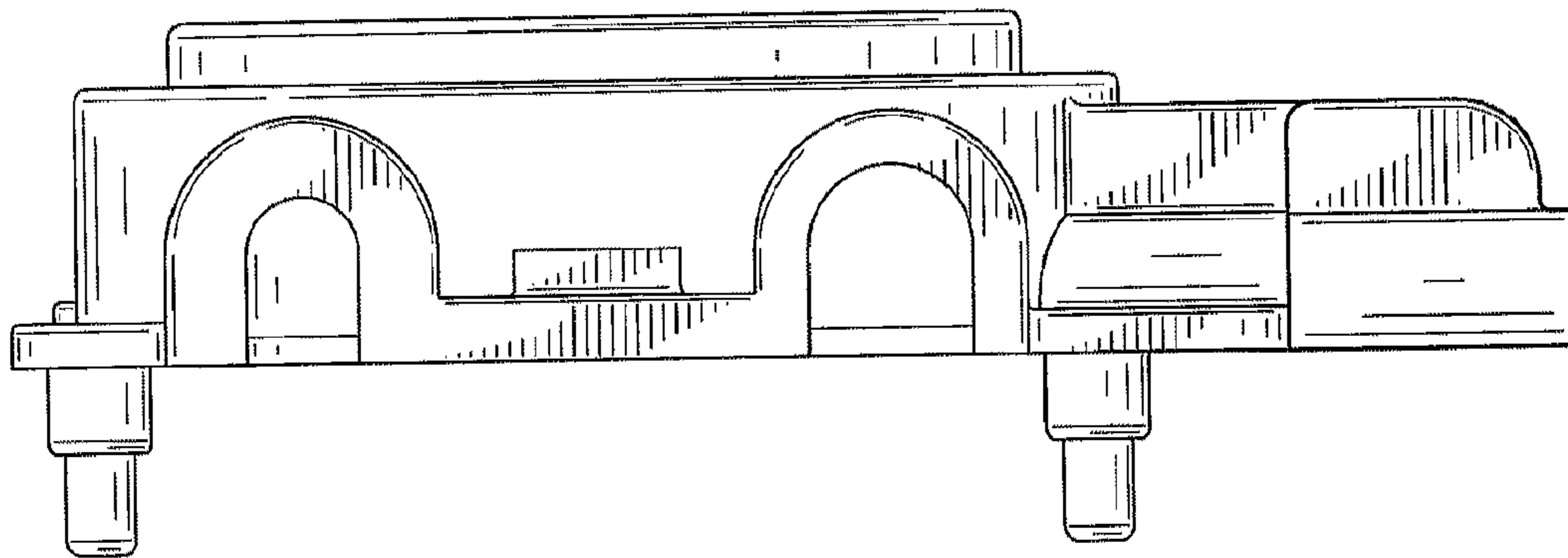


FIG. 4

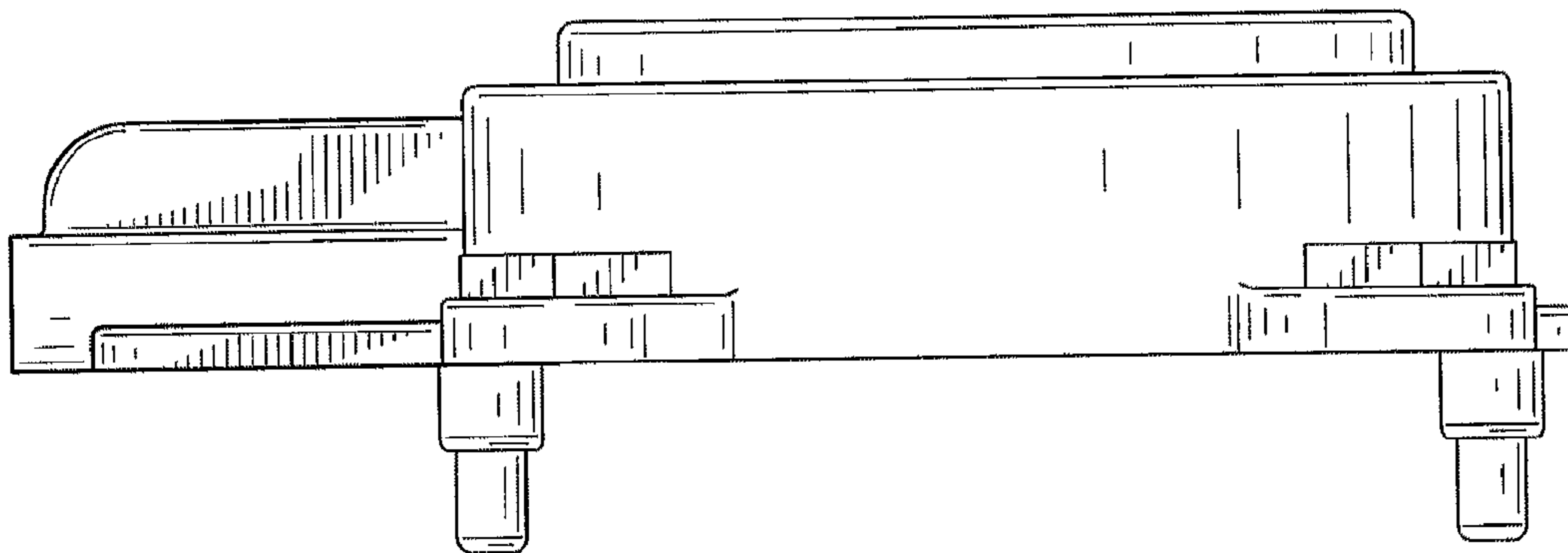


FIG. 5

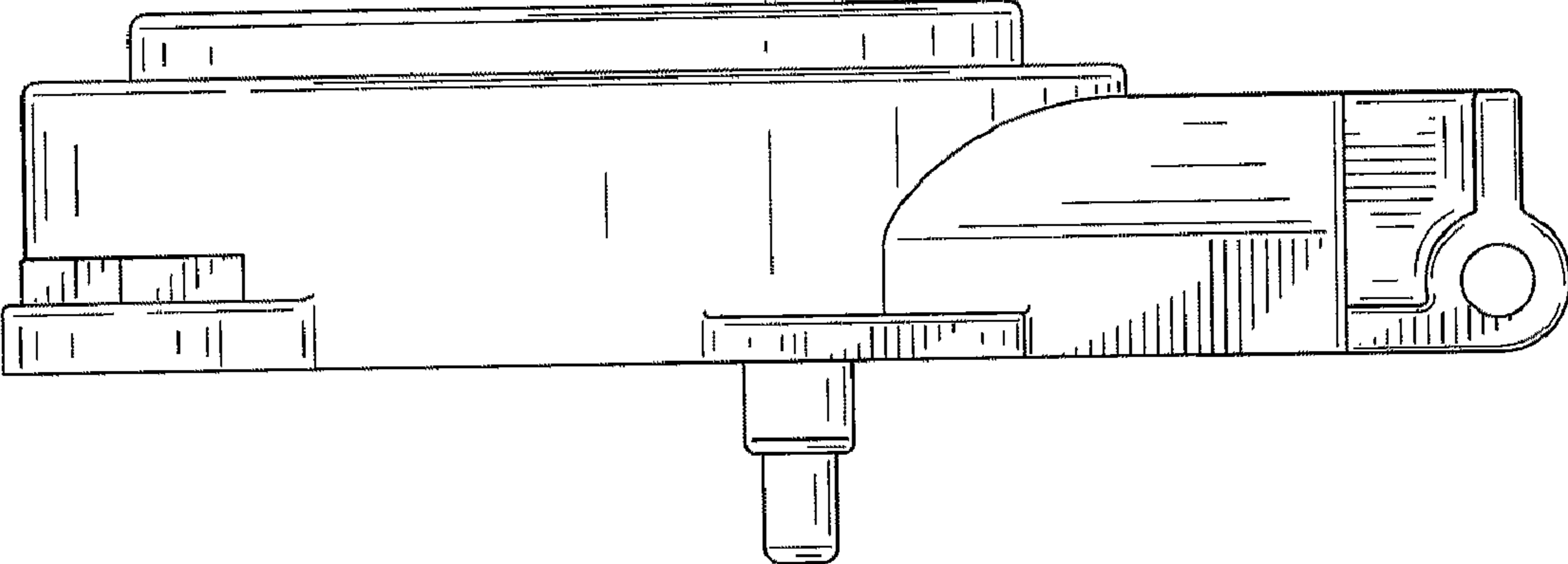


FIG. 6

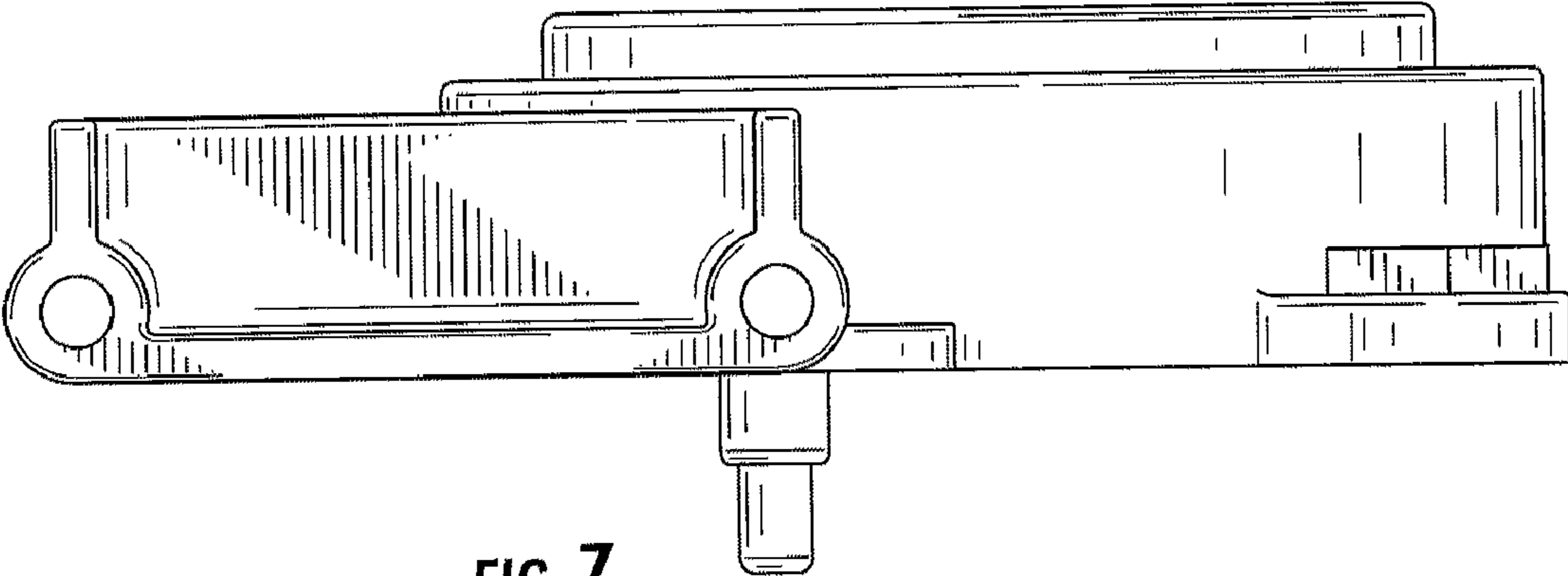


FIG. 7