



US00D668265S

(12) **United States Design Patent**  
**Lugli et al.**

(10) **Patent No.:** **US D668,265 S**

(45) **Date of Patent:** **\*\* Oct. 2, 2012**

(54) **GEAR CASING**

(75) Inventors: **Paolo Lugli**, Formigine (IT); **Claudio Mantovani**, Soliera (IT)

(73) Assignee: **Motovario S.p.A.**, Milan (IT)

(\*\*) Term: **14 Years**

(21) Appl. No.: **29/410,038**

(22) Filed: **Jan. 3, 2012**

**Related U.S. Application Data**

(62) Division of application No. 29/359,786, filed on Apr. 15, 2010, now Pat. No. Des. 654,092.

(30) **Foreign Application Priority Data**

Mar. 16, 2010 (EM) ..... 001681727

(51) **LOC (9) Cl.** ..... **15-01**

(52) **U.S. Cl.** ..... **D15/5**

(58) **Field of Classification Search** ..... D15/1-6;  
D12/160, 159; 280/5.5-5.524

See application file for complete search history.

(56) **References Cited**

**U.S. PATENT DOCUMENTS**

|              |         |                  |               |
|--------------|---------|------------------|---------------|
| D368,919 S   | 4/1996  | Lannoch          |               |
| D416,922 S   | 11/1999 | Lannoch          |               |
| D419,577 S * | 1/2000  | Lannoch          | ..... D15/148 |
| D437,334 S   | 2/2001  | Song             |               |
| D499,348 S   | 12/2004 | Matsumoto et al. |               |
| D575,175 S   | 8/2008  | Suzuki           |               |

\* cited by examiner

*Primary Examiner* — T. Chase Nelson

*Assistant Examiner* — Ania Aman

(74) *Attorney, Agent, or Firm* — Pearne & Gordon LLP

(57) **CLAIM**

The ornamental design for a gear casing, as shown and described.

**DESCRIPTION**

FIG. 1 is a perspective view of a first embodiment of a gear casing, showing our new design;  
 FIG. 2 is a right-side elevational view thereof;  
 FIG. 3 is a front elevational view thereof;  
 FIG. 4 is a rear elevational view thereof;  
 FIG. 5 is a top plan view thereof;  
 FIG. 6 is a bottom plan view thereof;  
 FIG. 7 is a left-side elevational view thereof;  
 FIG. 8 is a perspective view of a second embodiment of a gear casing according to the invention;  
 FIG. 9 is a right-side elevational view thereof;  
 FIG. 10 is a front elevational view thereof;  
 FIG. 11 is a rear elevational view thereof;  
 FIG. 12 is a top plan view thereof;  
 FIG. 13 is a bottom plan view thereof; and,  
 FIG. 14 is a left-side elevational view thereof.

The portions of the gear casing shown in broken lines form no part of the claimed design.

**1 Claim, 12 Drawing Sheets**

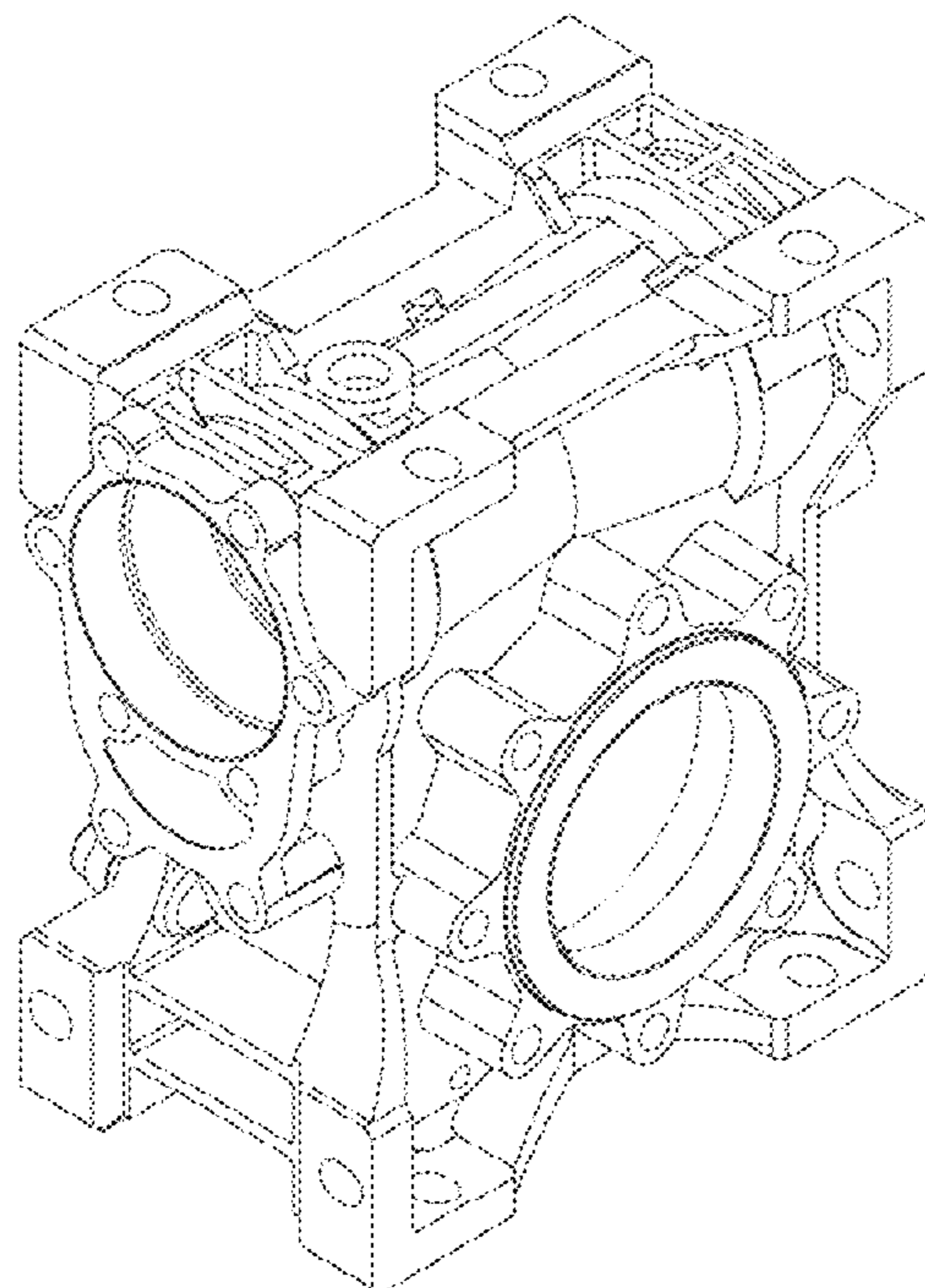


FIG. 1

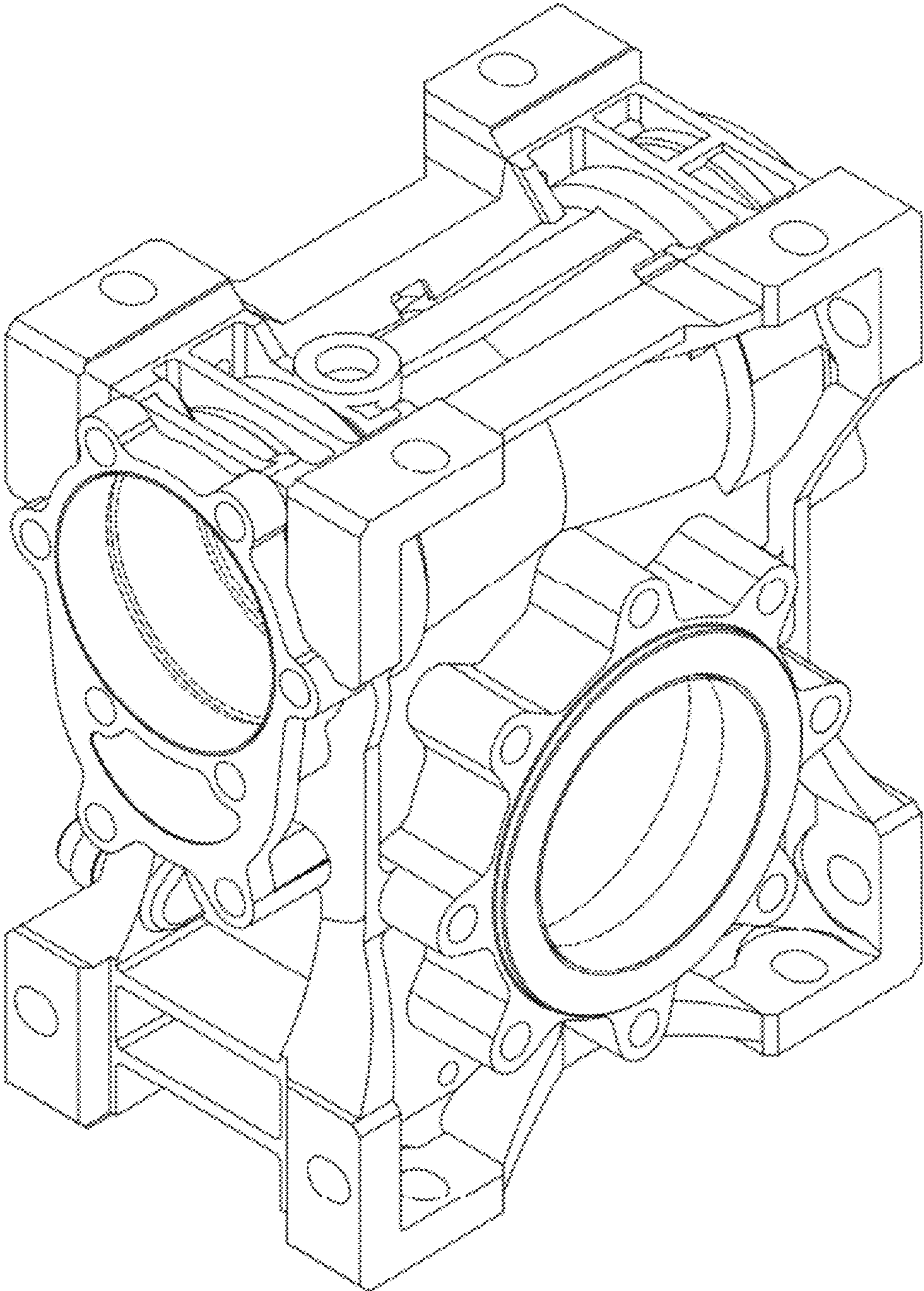


FIG.2

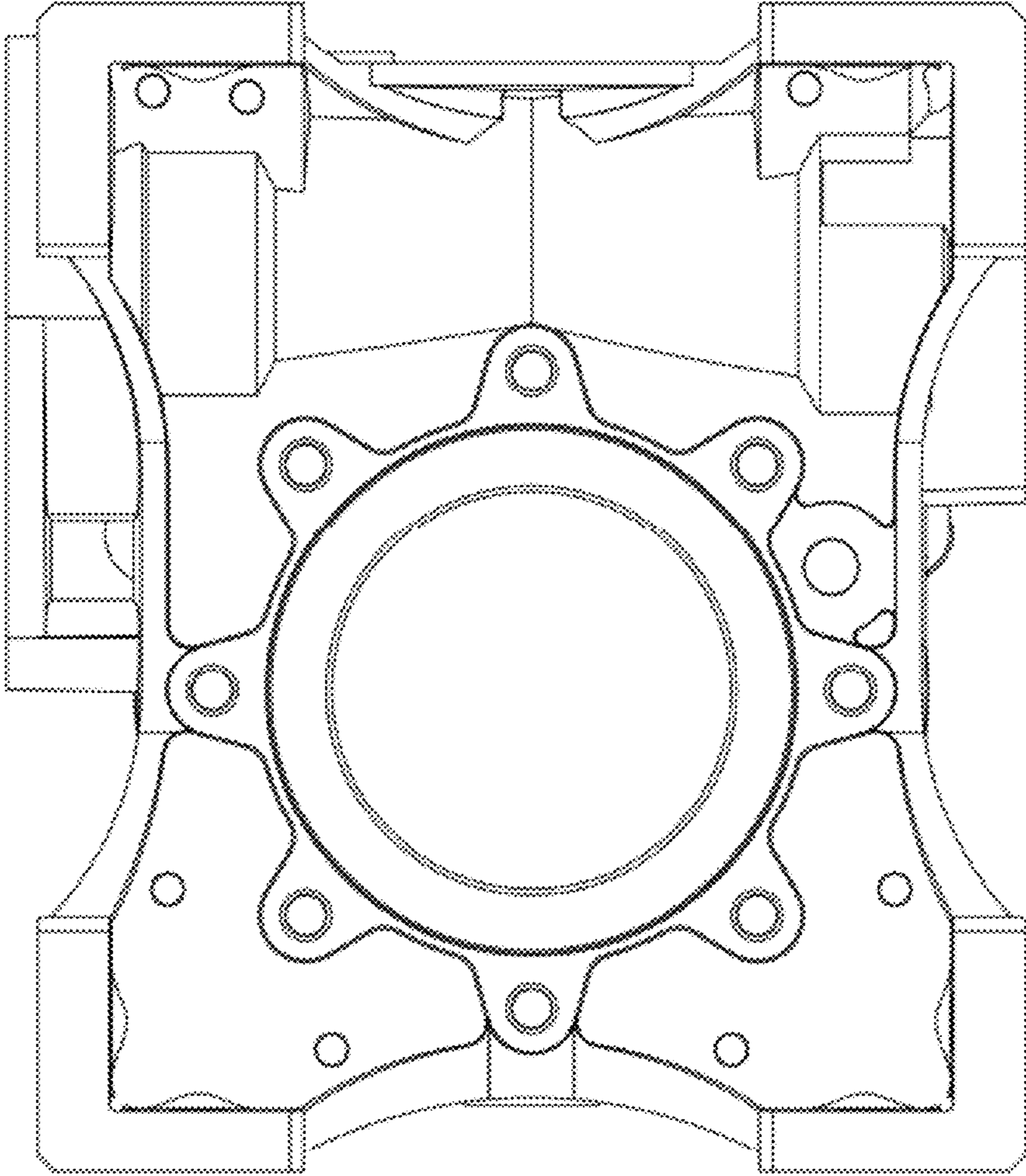


FIG.3

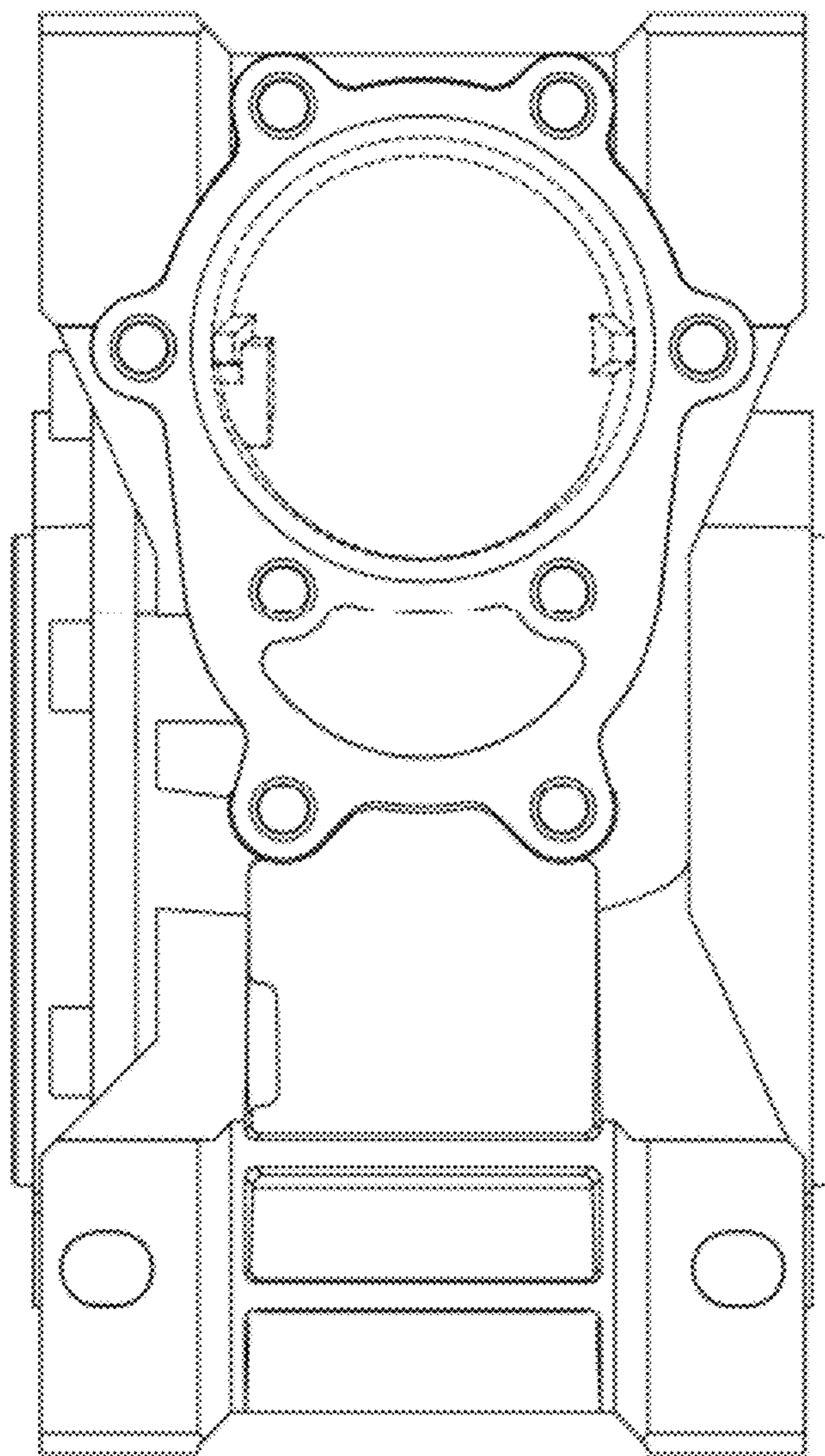


FIG.4

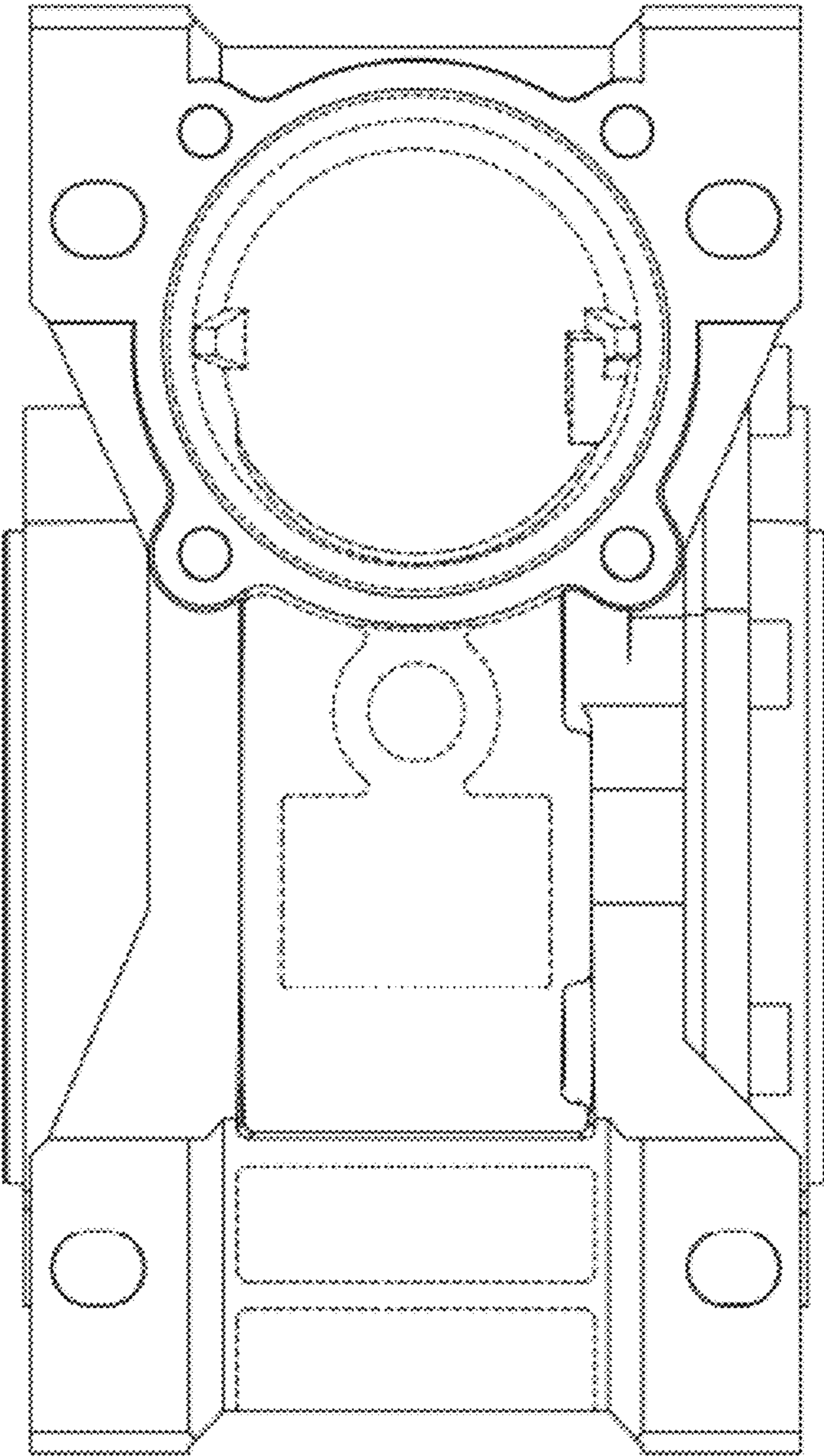


FIG.5

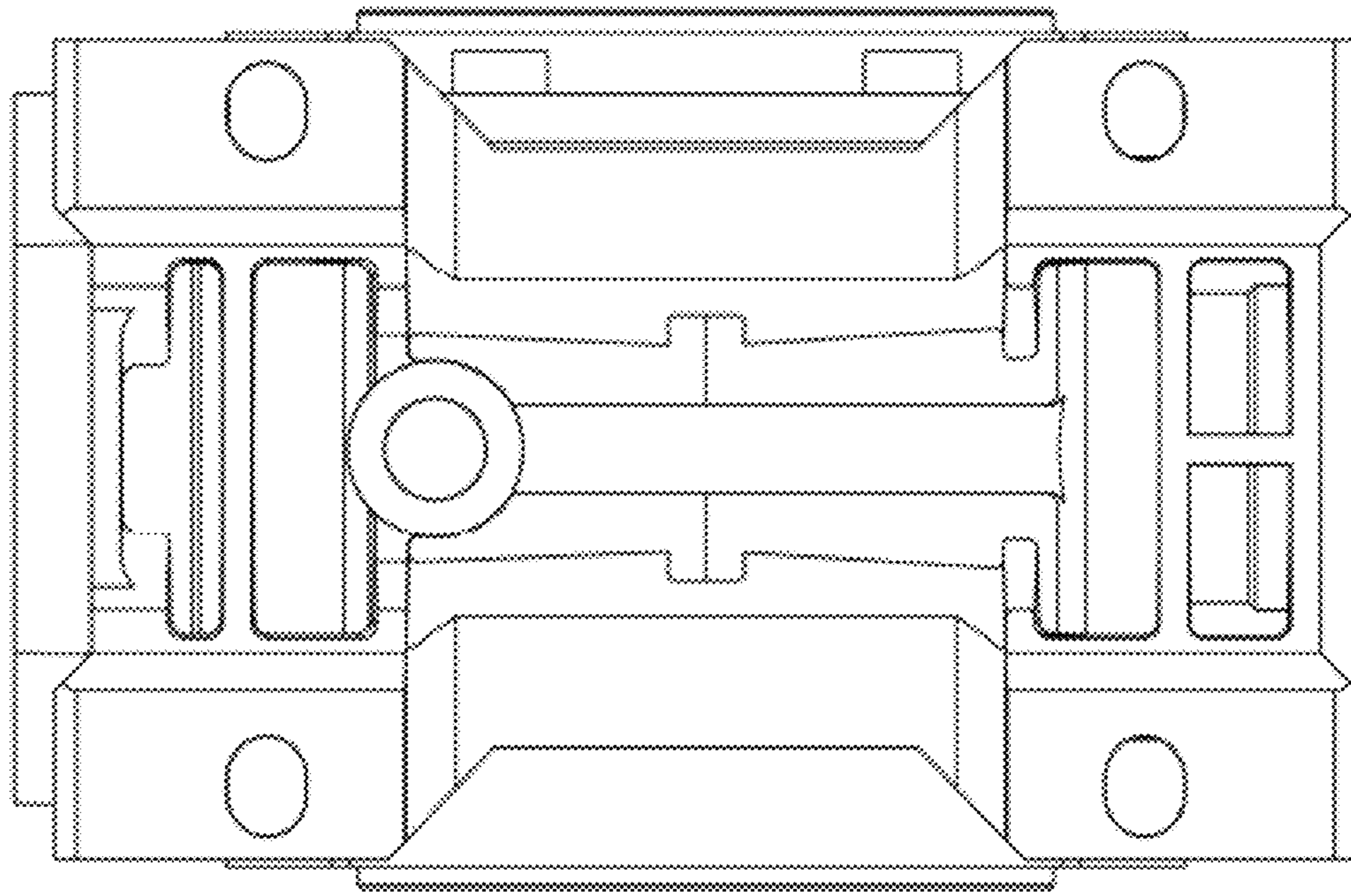


FIG.6

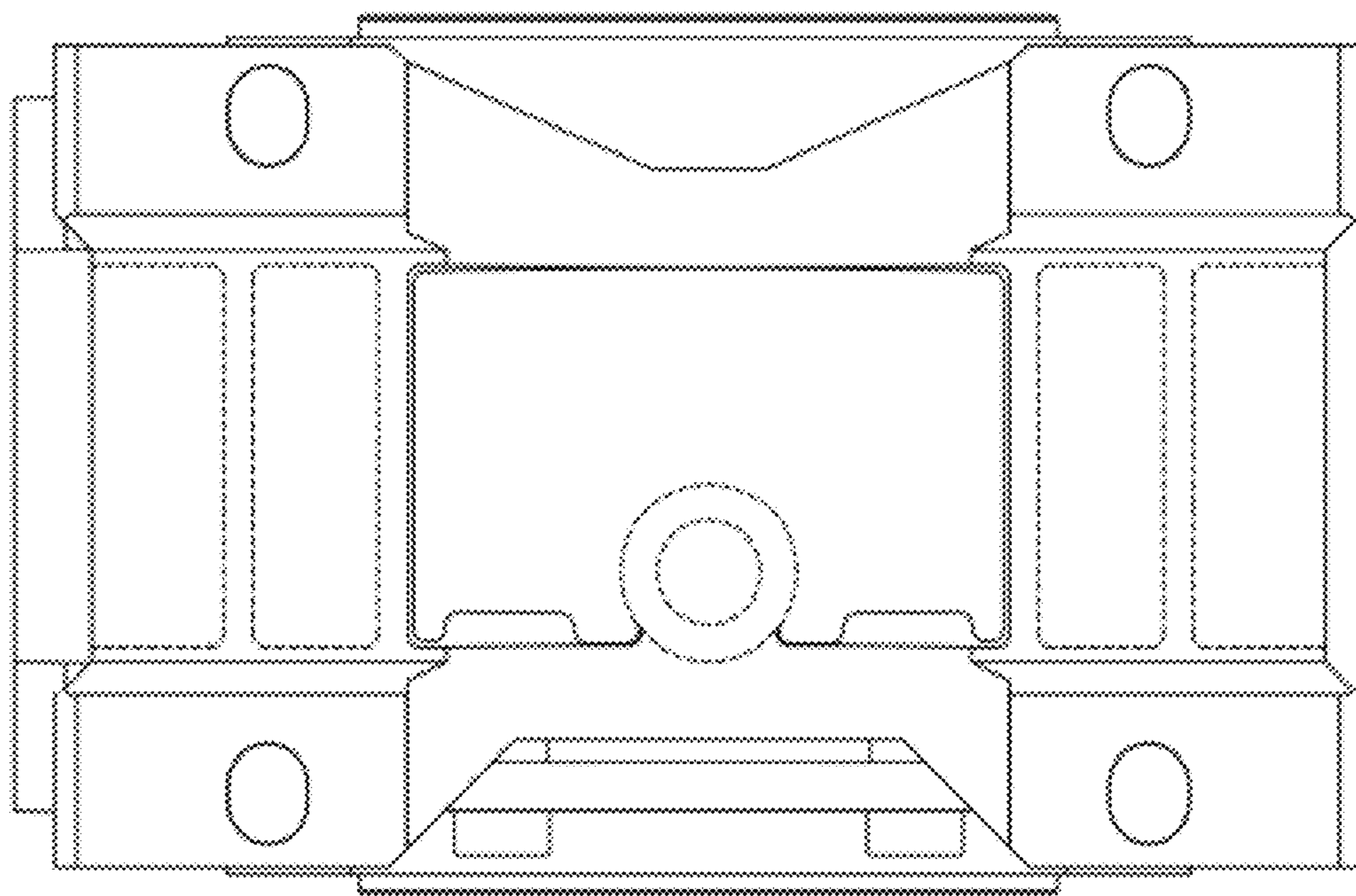


FIG.7

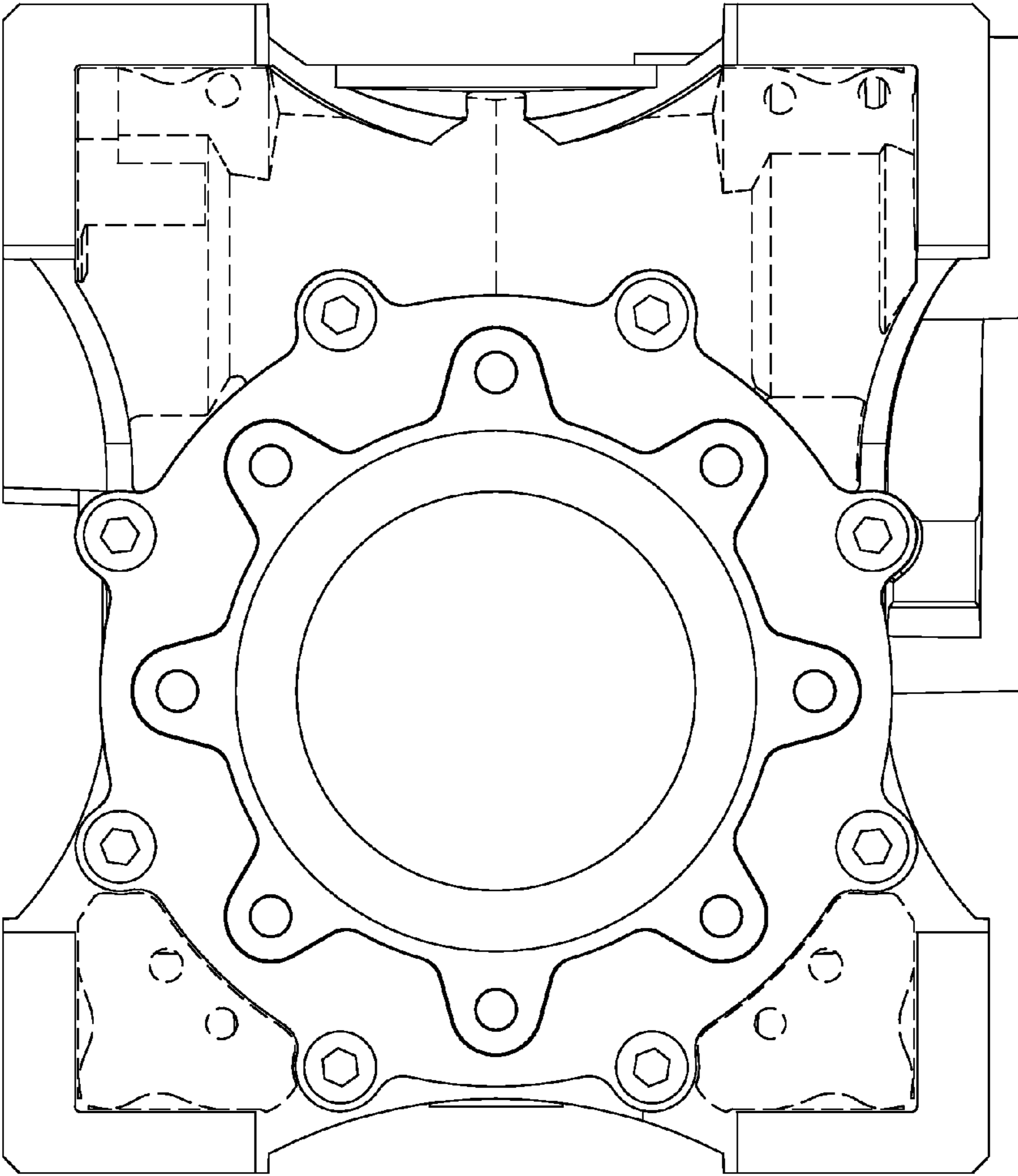


FIG.8

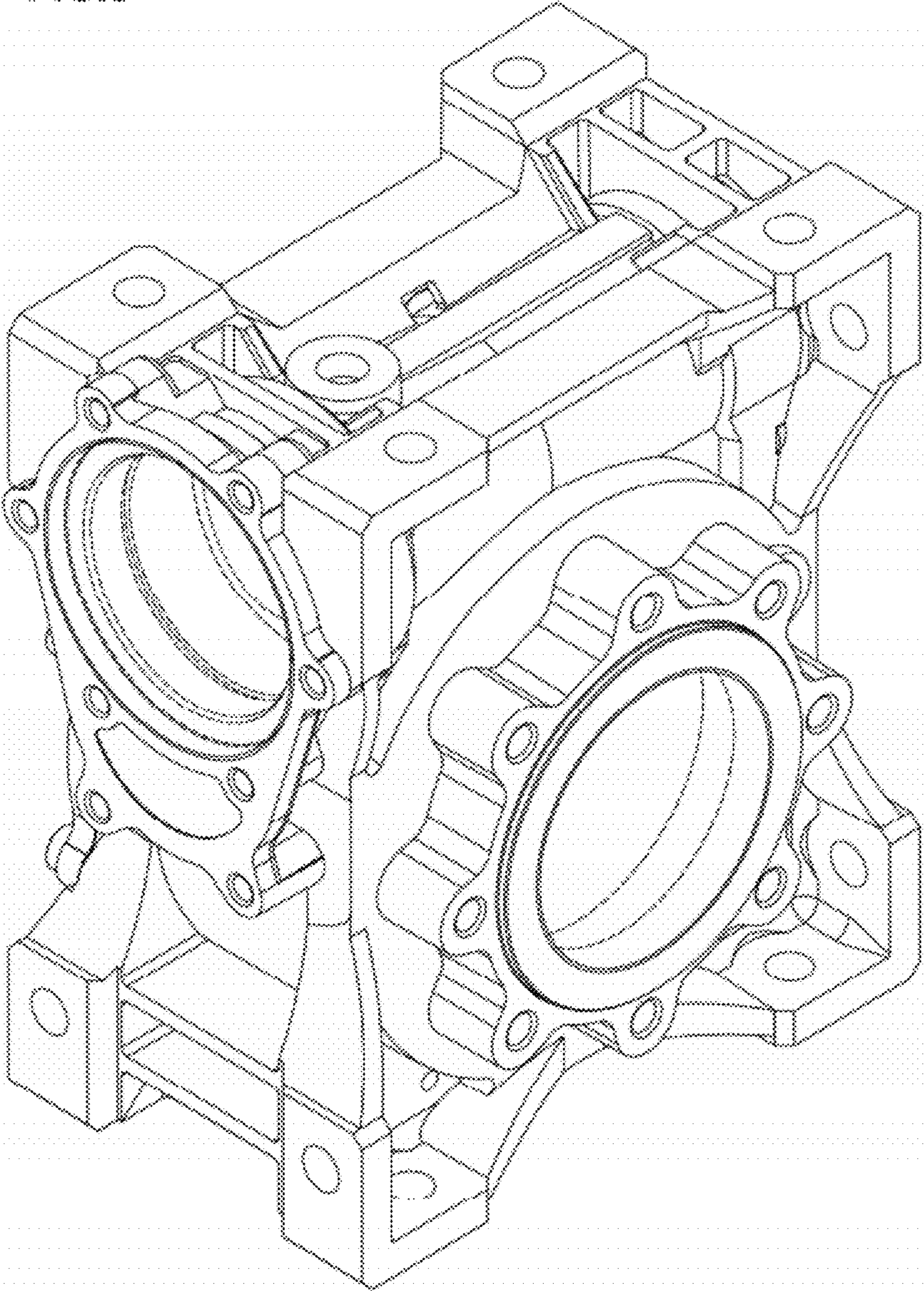




FIG.9

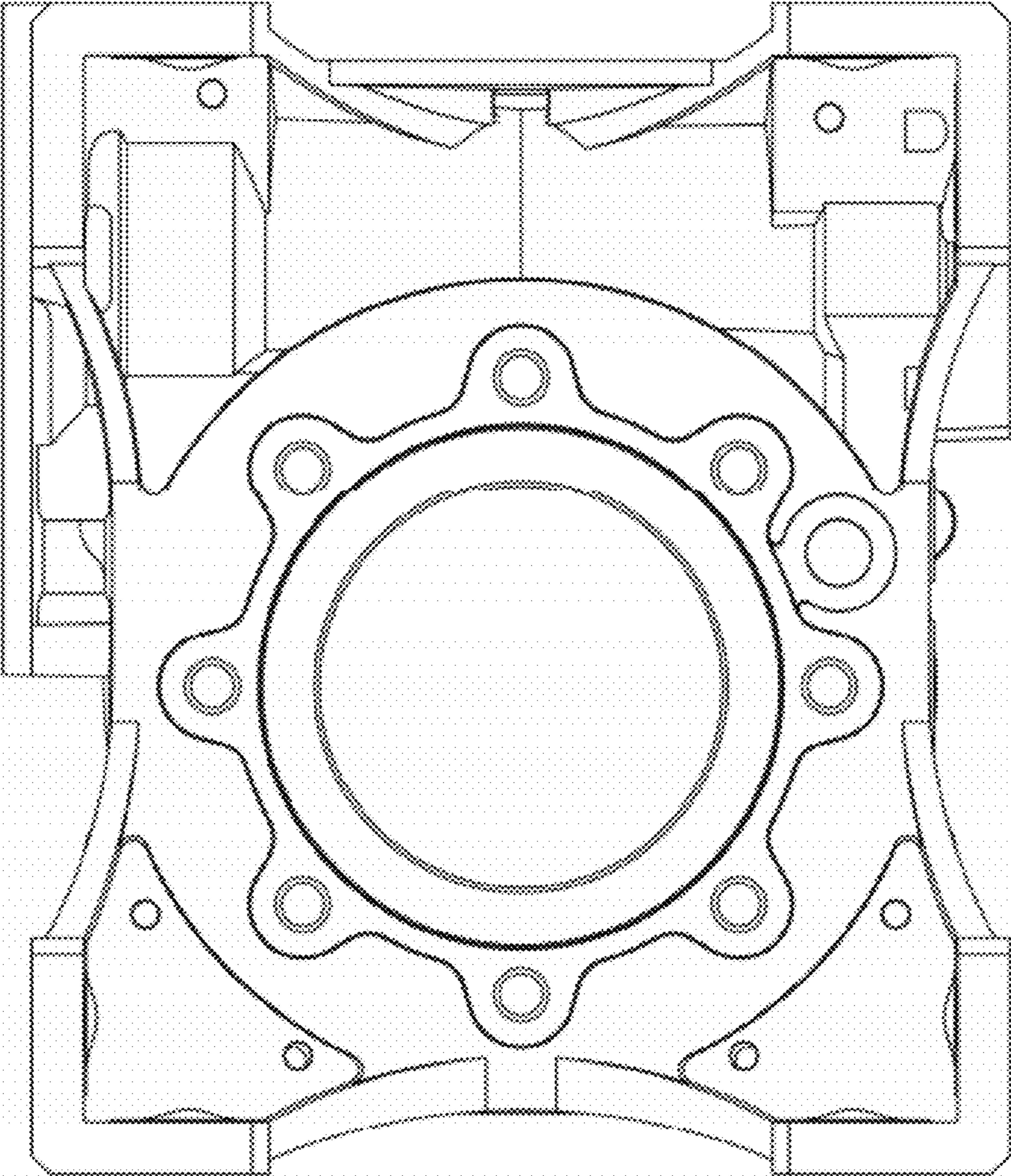


FIG. 10

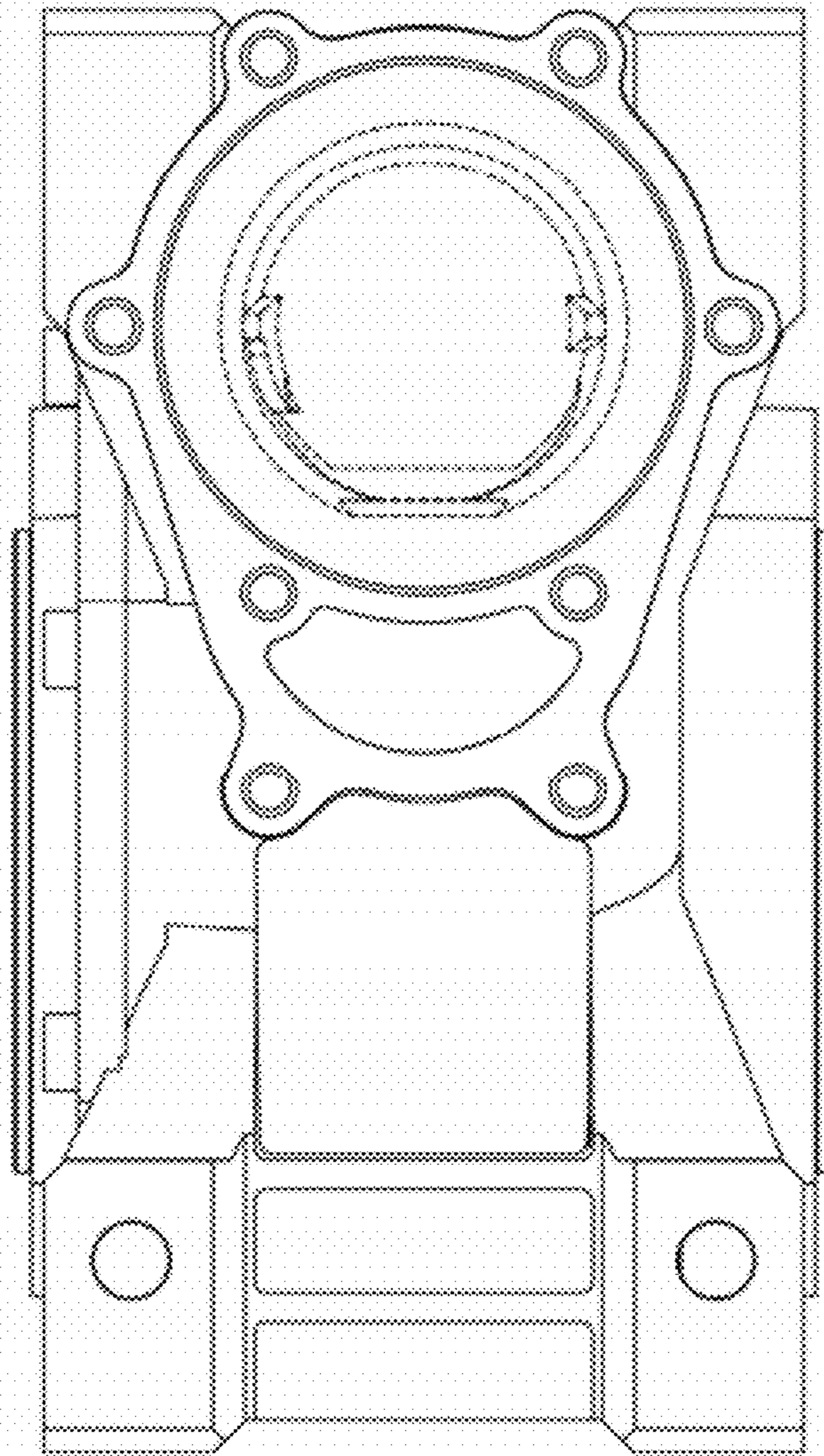


FIG. 11

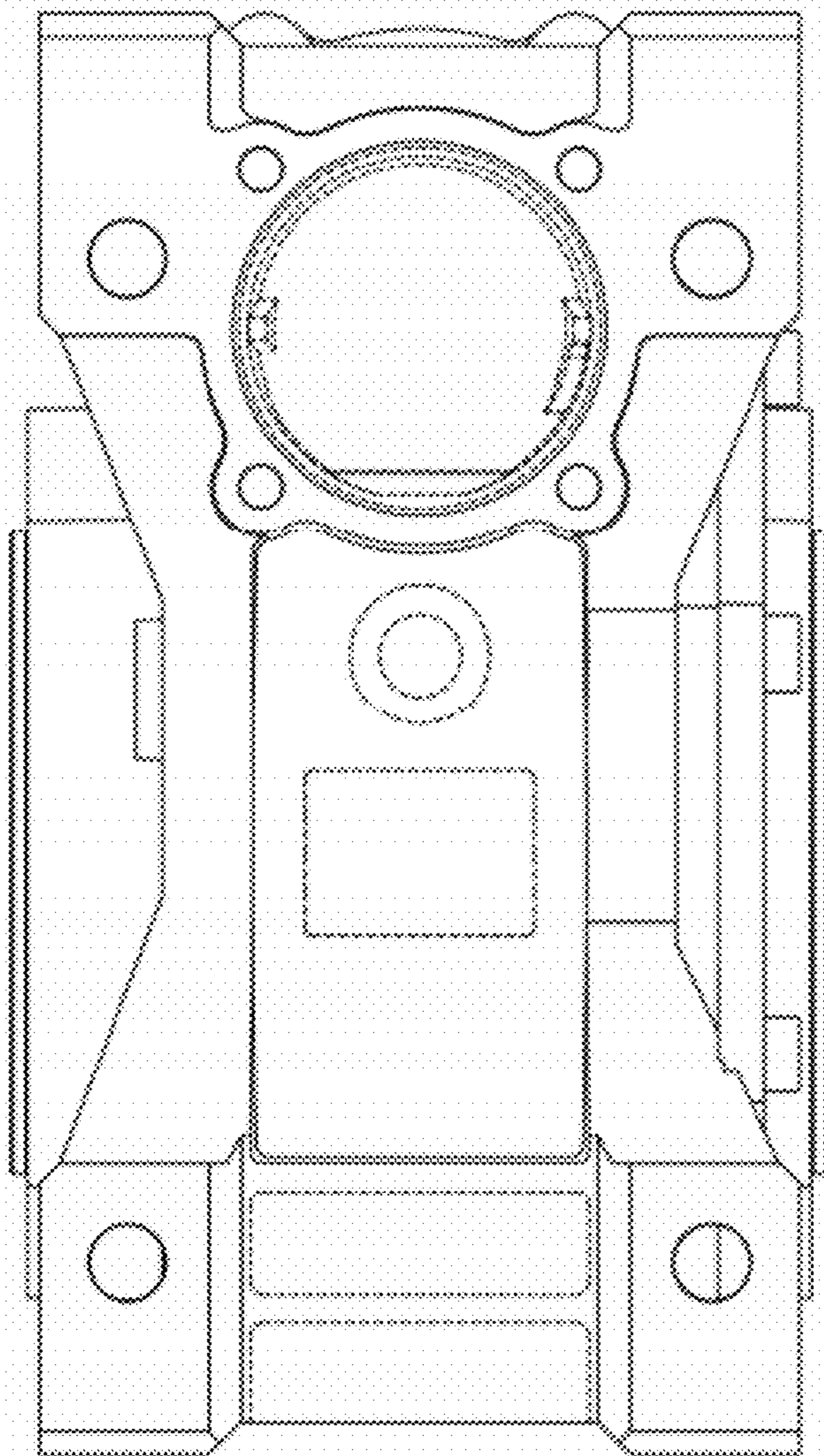


FIG.12

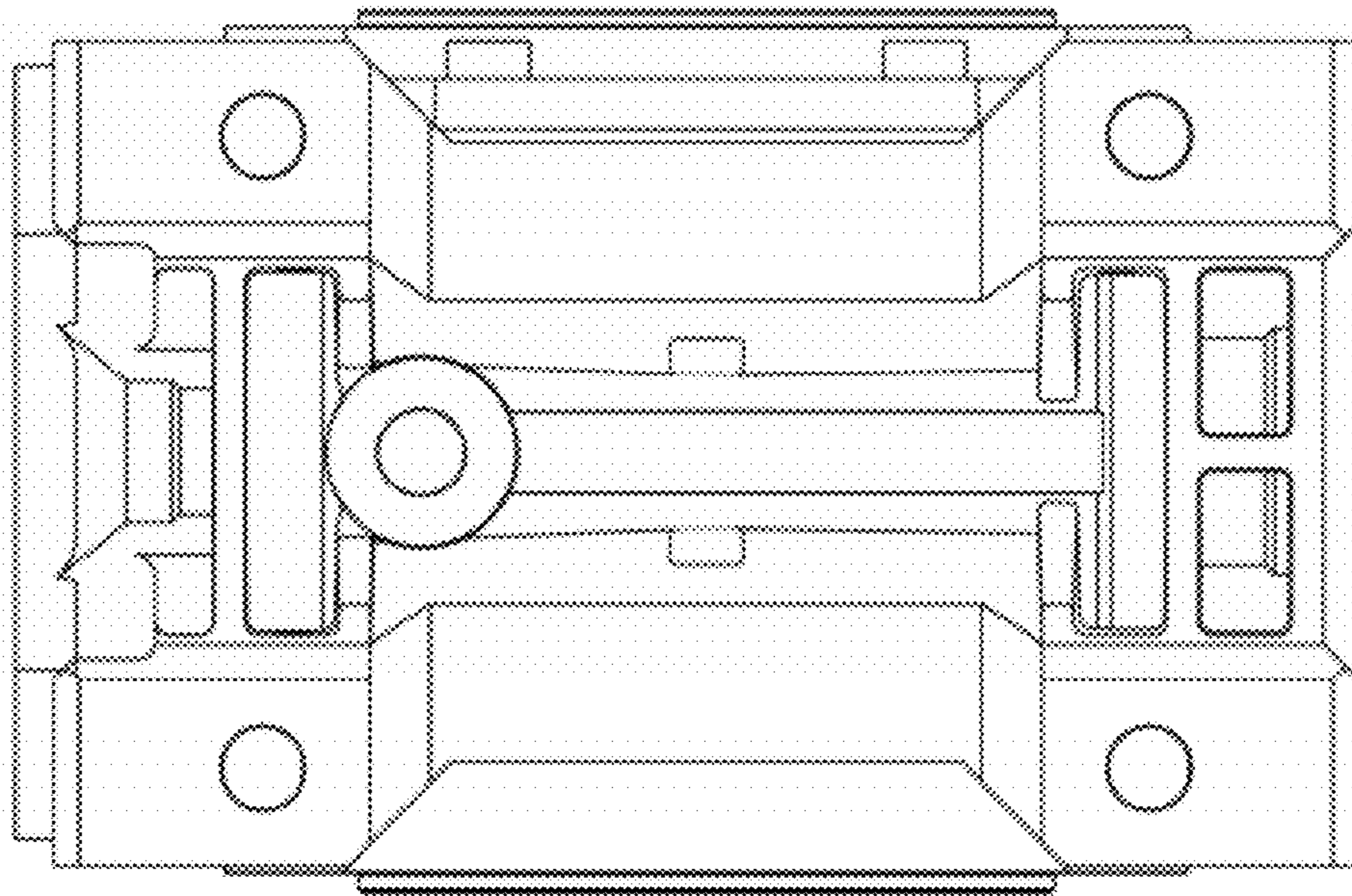


FIG.13

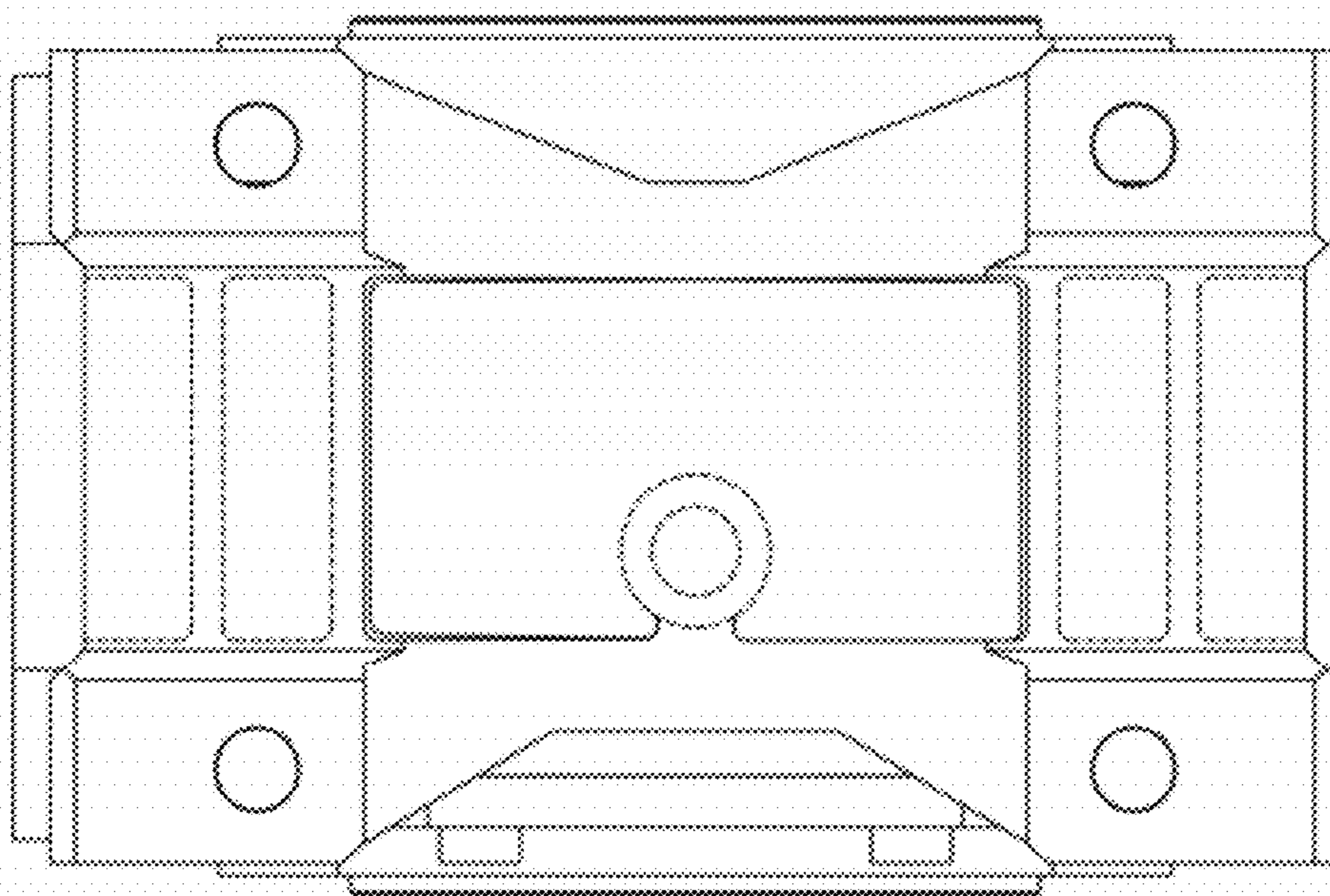


FIG.14

