

US00D668264S

(12) **United States Design Patent**  
**Tiefenthaler**

(10) **Patent No.:** **US D668,264 S**

(45) **Date of Patent:** **\*\* Oct. 2, 2012**

(54) **RECOIL STARTER COVER**

(75) Inventor: **Carl T. Tiefenthaler**, Jackson, WI (US)

(73) Assignee: **Briggs & Stratton Corporation**,  
Wauwatosa, WI (US)

(\*\*) Term: **14 Years**

(21) Appl. No.: **29/387,397**

(22) Filed: **Mar. 11, 2011**

(51) **LOC (9) Cl.** ..... **15-01**

(52) **U.S. Cl.** ..... **D15/5**

(58) **Field of Classification Search** ..... D15/143,  
D15/5, 1, 2, 3, 4, 6; D23/233; D13/147;  
251/129.01, 129.15

See application file for complete search history.

(56) **References Cited**

**U.S. PATENT DOCUMENTS**

D549,733 S *	8/2007	Strandell et al.	.....	D15/5
D583,831 S *	12/2008	Post et al.	.....	D15/5
D594,878 S *	6/2009	Post et al.	.....	D15/5
D615,557 S *	5/2010	Mayer et al.	.....	D15/5
D619,620 S *	7/2010	Mayer et al.	.....	D15/5

**OTHER PUBLICATIONS**

Professional Series 875 and 700 Series DOV engines, downloaded from website [www.briggsandstratton.com/engines/push-mower](http://www.briggsandstratton.com/engines/push-mower) on Jun. 14, 2011, 4 pages.

Briggs & Stratton 700 Series DOV engine, downloaded from website [www.usinenouvelle.com/industry/briggs-et-stratton-635/briggs-stratton-series-dov-p57879.html](http://www.usinenouvelle.com/industry/briggs-et-stratton-635/briggs-stratton-series-dov-p57879.html) on Jun. 14, 2011, 3 pages.

\* cited by examiner

*Primary Examiner* — T. Chase Nelson

*Assistant Examiner* — Ania Aman

(74) *Attorney, Agent, or Firm* — Foley & Lardner LLP

(57) **CLAIM**

I claim the ornamental design for a recoil starter cover, as shown and described.

**DESCRIPTION**

FIG. 1 is a front top perspective view of a recoil starter cover showing my new design;

FIG. 2 is a rear perspective view from above of the claimed design of FIG. 1;

FIG. 3 is a top view of the claimed design of FIG. 1;

FIG. 4 is a front view of the claimed design of FIG. 1;

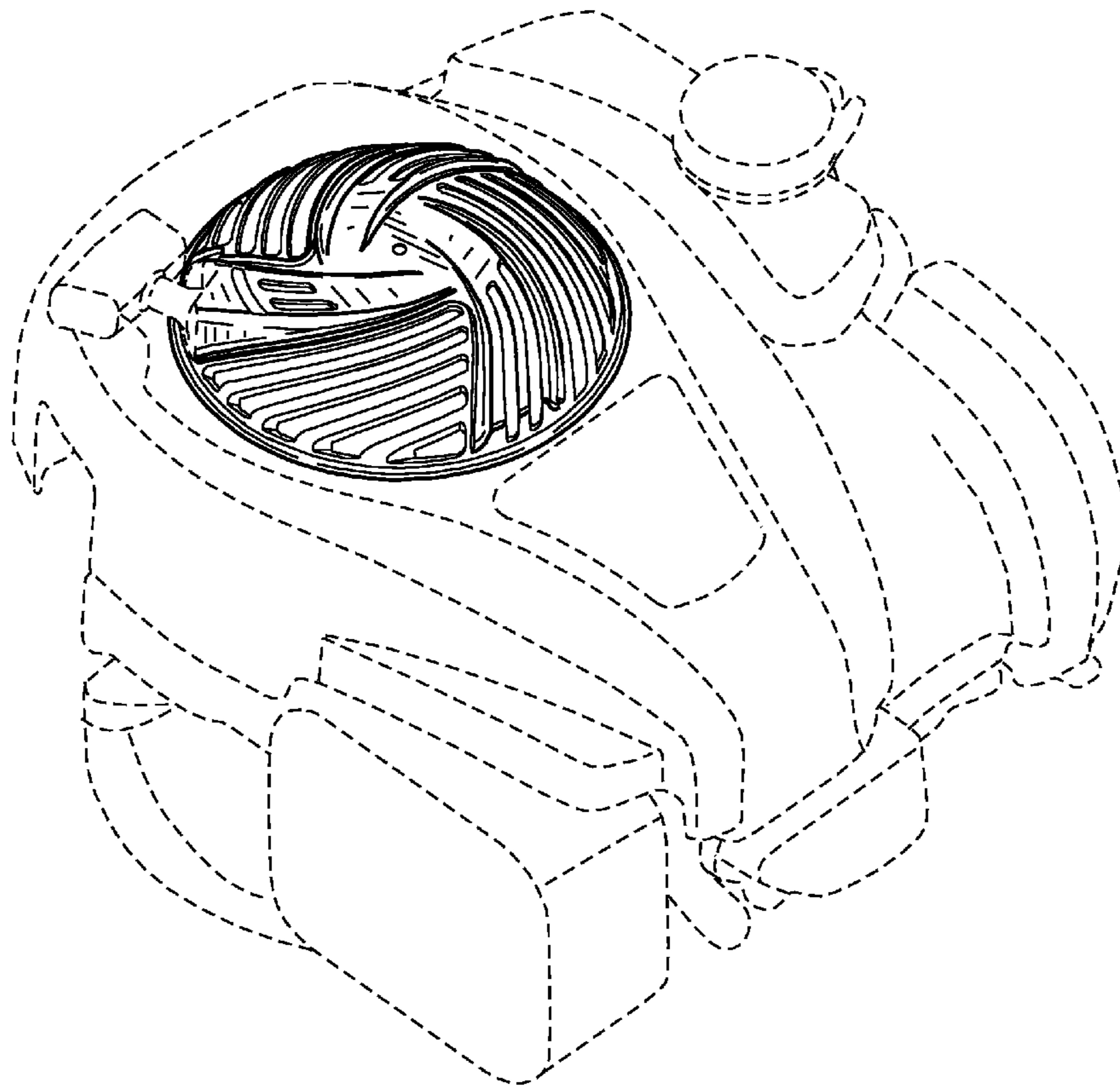
FIG. 5 is a left side view of the claimed design of FIG. 1;

FIG. 6 is a rear view of the claimed design of FIG. 1; and,

FIG. 7 is a right side view of the claimed design of FIG. 1.

The broken lines in the drawings are for illustrative purposes only and form no part of the claimed design.

**1 Claim, 7 Drawing Sheets**



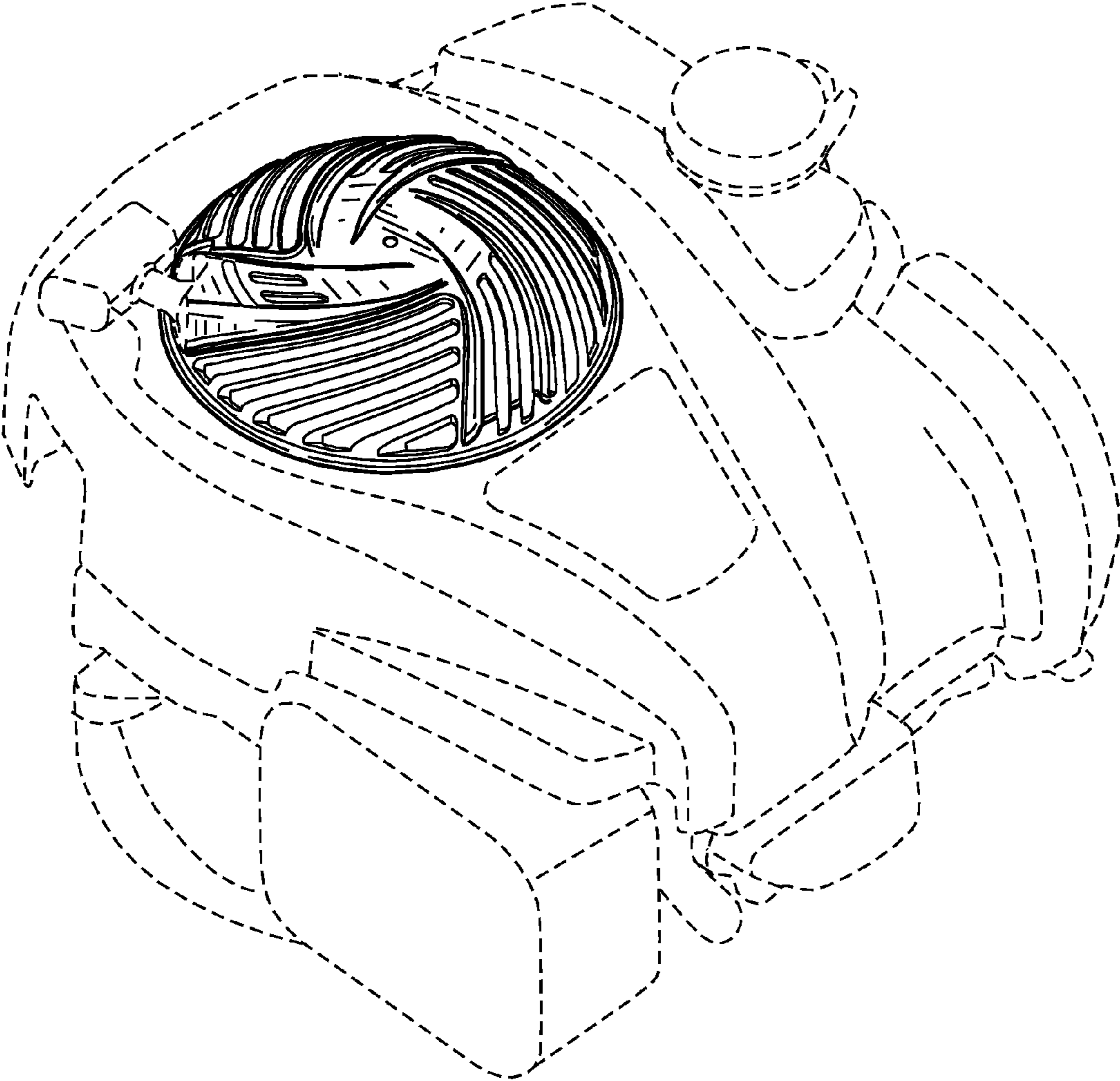


FIG. 1

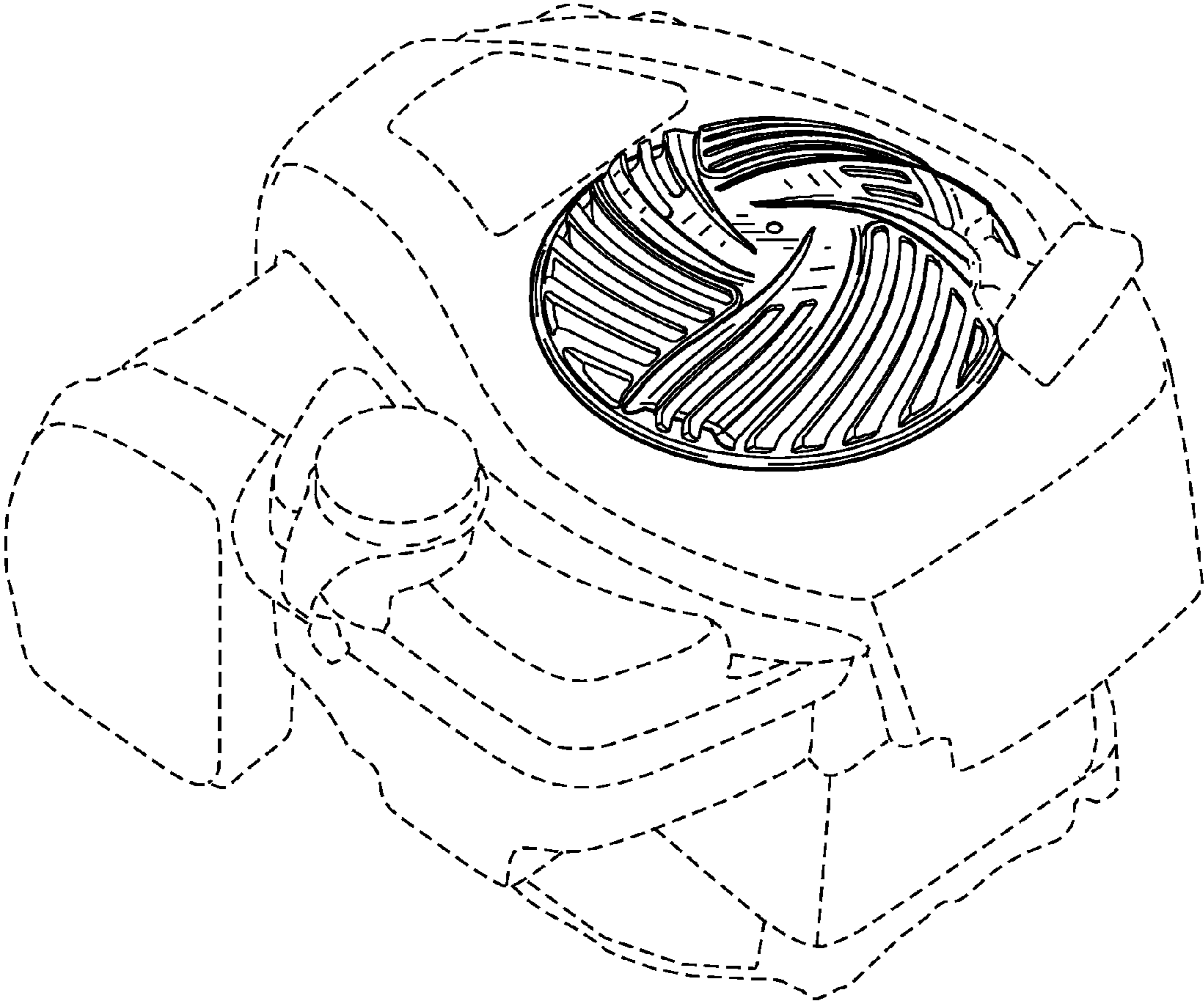


FIG. 2

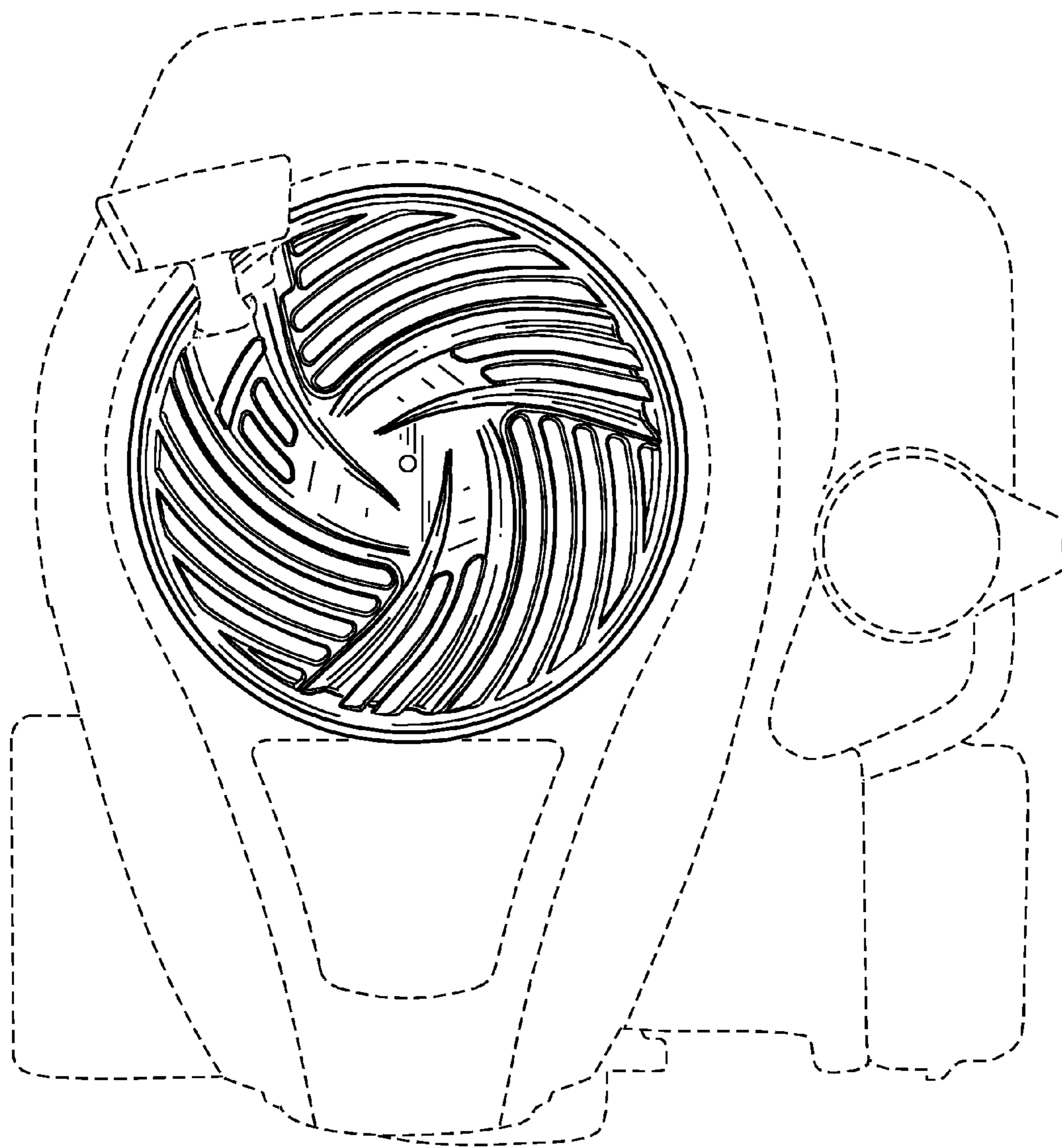


FIG. 3

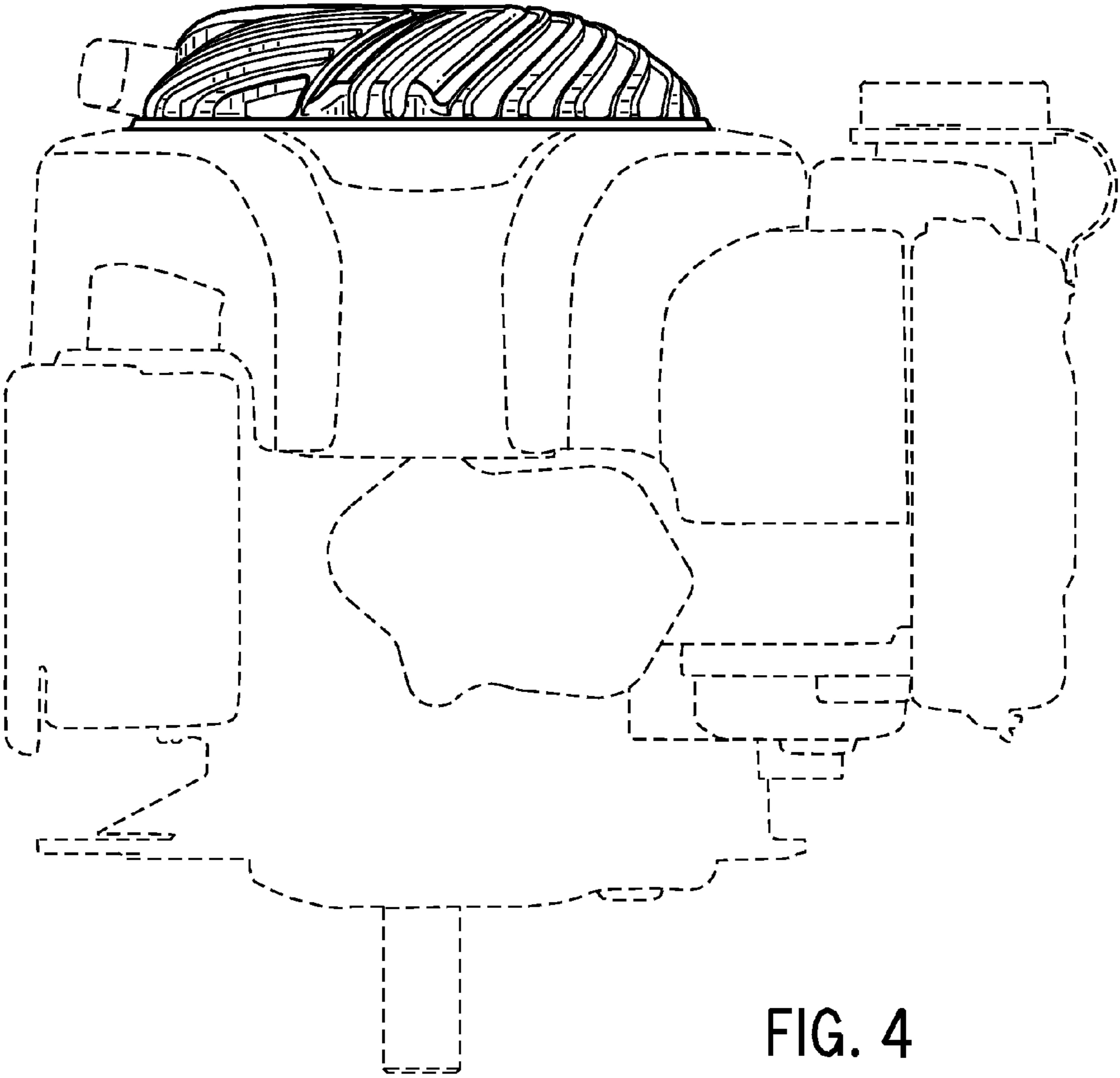


FIG. 4

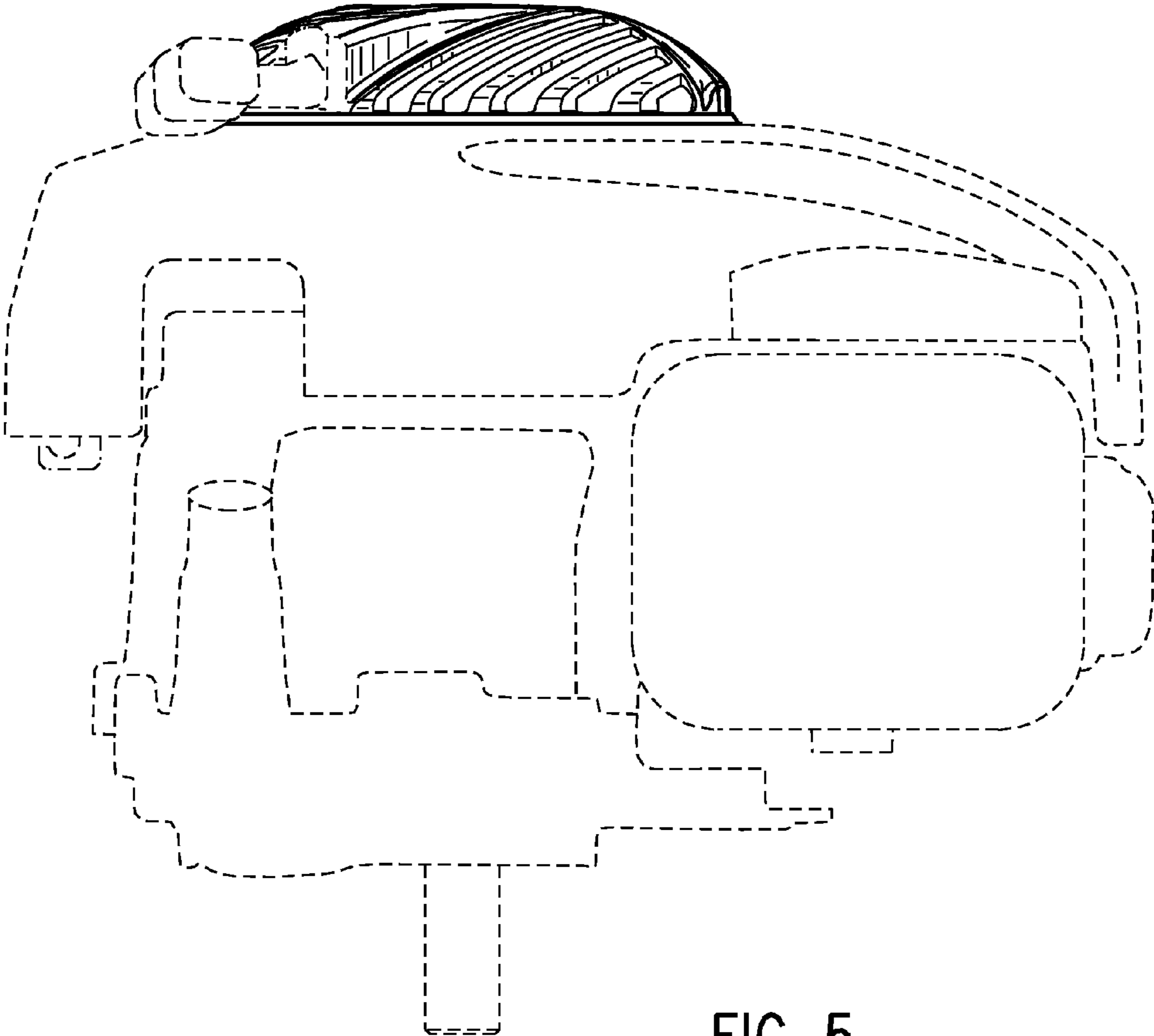
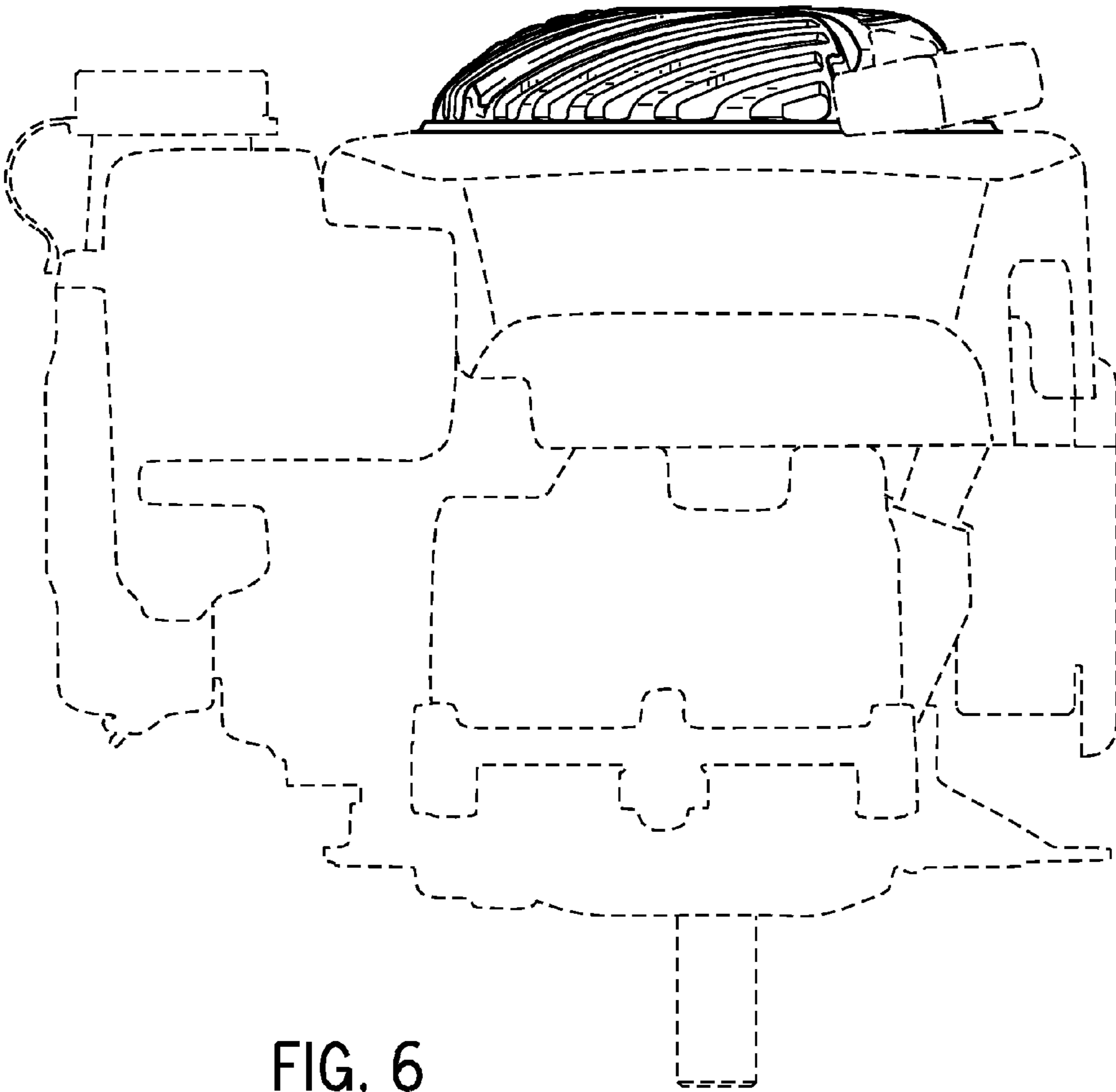


FIG. 5



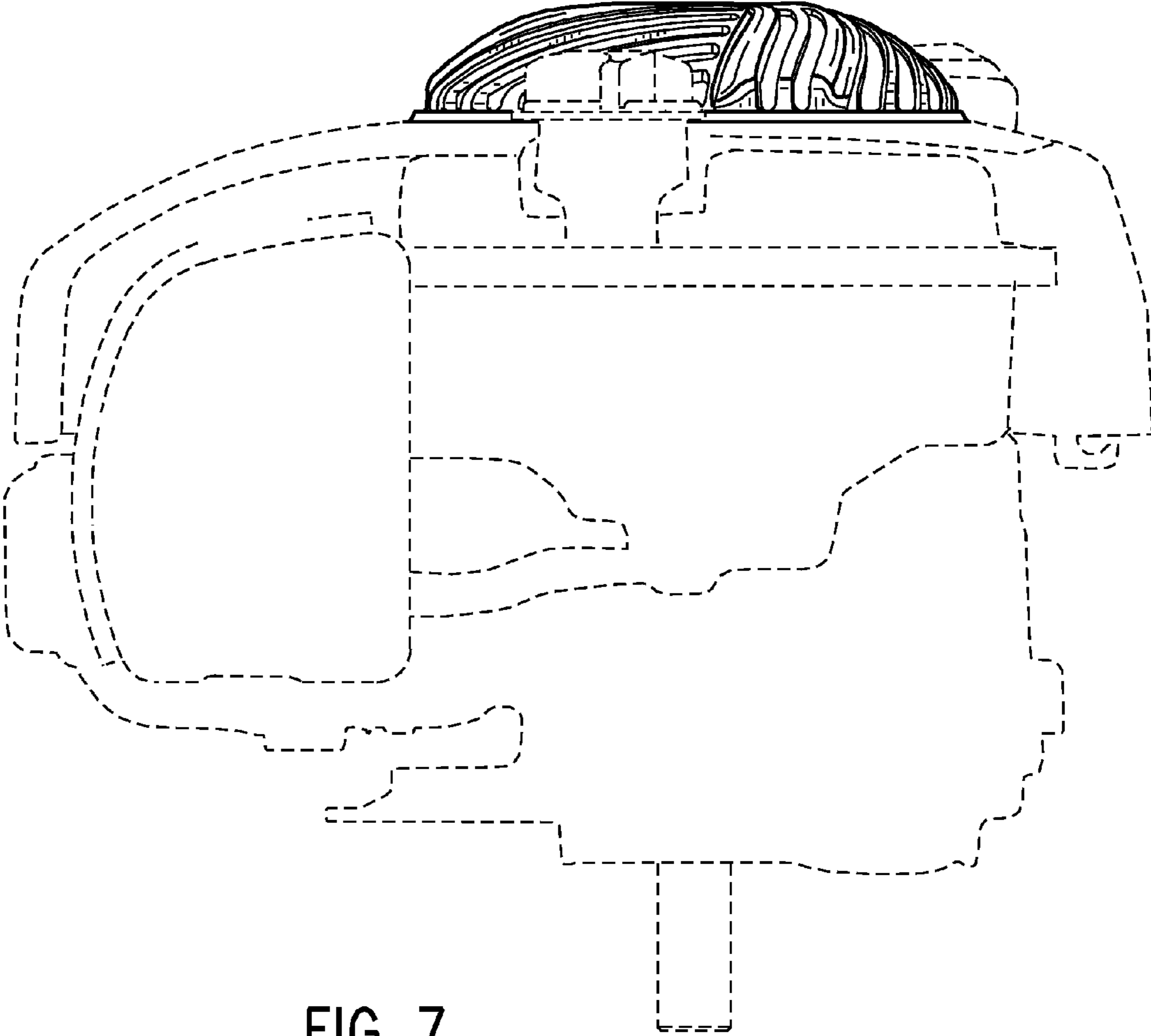


FIG. 7