



US00D668258S

(12) **United States Design Patent**
Lee et al.

(10) **Patent No.:** **US D668,258 S**
(45) **Date of Patent:** **** Oct. 2, 2012**

(54) **USB DRIVE**

(56) **References Cited**

(75) Inventors: **Ok-Keun Lee**, Kyunggi-do (KR);
Eui-Seok Kim, Kyunggi-do (KR);
Yong-Joo Lee, Seoul (KR); **Jun-Ho**
Yang, Kyunggi-do (KR)

U.S. PATENT DOCUMENTS

D454,130	S	*	3/2002	Do et al.	D14/435.1
6,544,075	B1	*	4/2003	Liao	439/638
D499,100	S	*	11/2004	Neel et al.	D14/435
D538,280	S	*	3/2007	Sugita	D14/480.5
7,364,439	B2	*	4/2008	Lin	439/76.1
D579,449	S	*	10/2008	Okamoto et al.	D14/484.1
D582,418	S		12/2008	Kim et al.		
D586,809	S	*	2/2009	Jones et al.	D14/435.1
D648,726	S	*	11/2011	Behar et al.	D14/435.1
8,061,608	B2	*	11/2011	Liao et al.	235/439
2011/0199729	A1	*	8/2011	Hsieh	361/679.33
2012/0008268	A1	*	1/2012	Jiang et al.	361/679.4

(73) Assignee: **Samsung Electronics Co., Ltd.**,
Kyunggi-do (KR)

(**) Term: **14 Years**

* cited by examiner

(21) Appl. No.: **29/374,118**

Primary Examiner — Karen E Kearney

(22) Filed: **Jul. 5, 2011**

(74) *Attorney, Agent, or Firm* — Flynn, Thiel, Boutell &
Tanis, P.C.

(30) **Foreign Application Priority Data**

(57) **CLAIM**

Apr. 18, 2011 (KR) 30-2011-0015660

The ornamental design for a USB drive, as shown and described.

(51) **LOC (9) Cl.** **14-02**

DESCRIPTION

(52) **U.S. Cl.** **D14/480.1**

FIG. 1 is a top front perspective view of a USB drive showing our new design;

(58) **Field of Classification Search** D14/411,

D14/433, 435, 435.1, 436-438, 480.1-480.7,

FIG. 2 is a front elevational view thereof;

D14/484.1, 137, 155, 203.1-203.8, 240;

FIG. 3 is a rear elevational view thereof;

D13/133, 146-147, 154; 710/300, 301; 439/131,

FIG. 4 is a left side elevational view thereof;

439/135-147; 361/679.31, 679.33, 679.4,

FIG. 5 is a right side elevational view thereof;

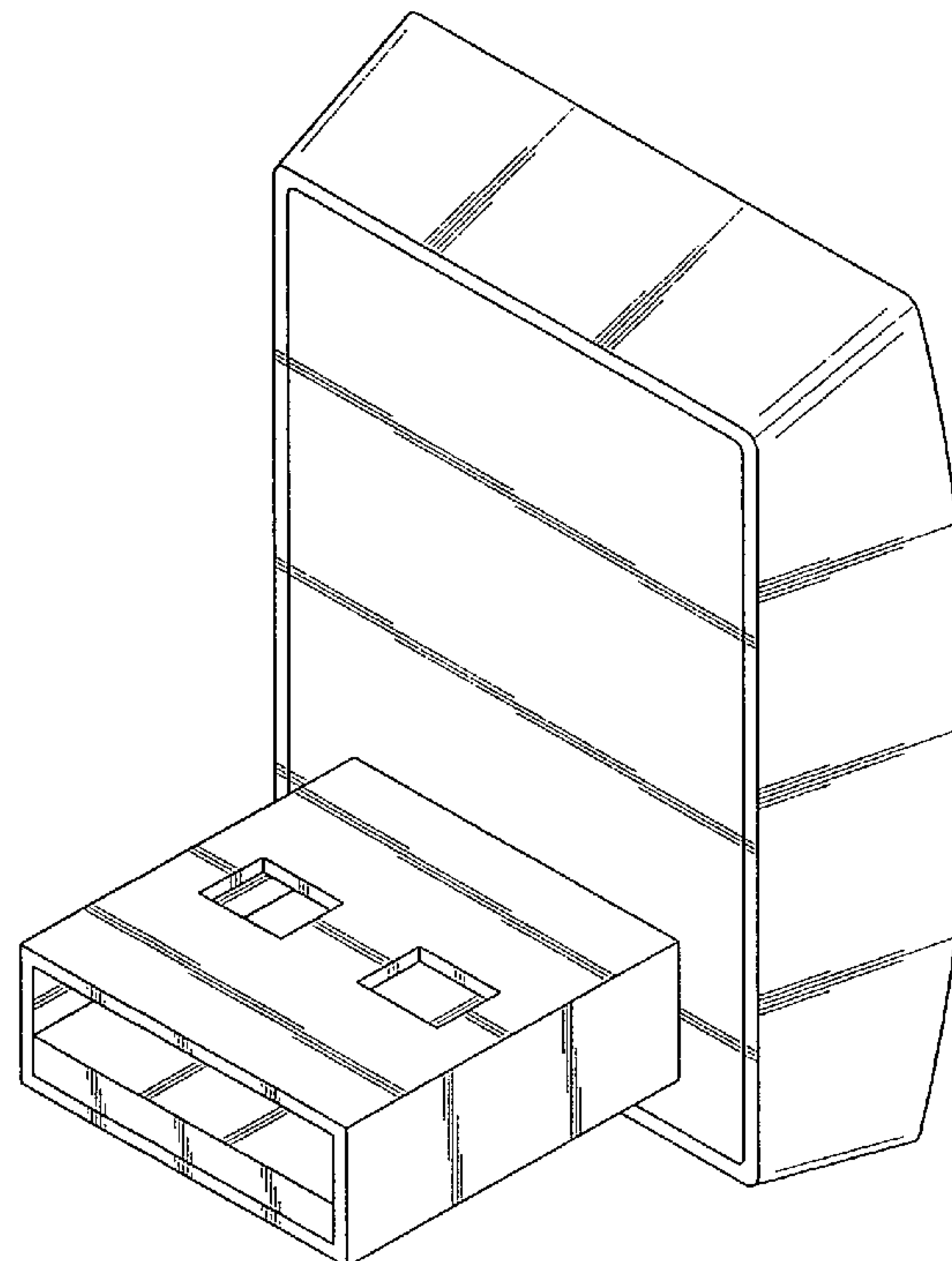
361/752; 711/100, 115

FIG. 6 is a top plan view thereof; and,

See application file for complete search history.

FIG. 7 is a bottom plan view thereof.

1 Claim, 4 Drawing Sheets



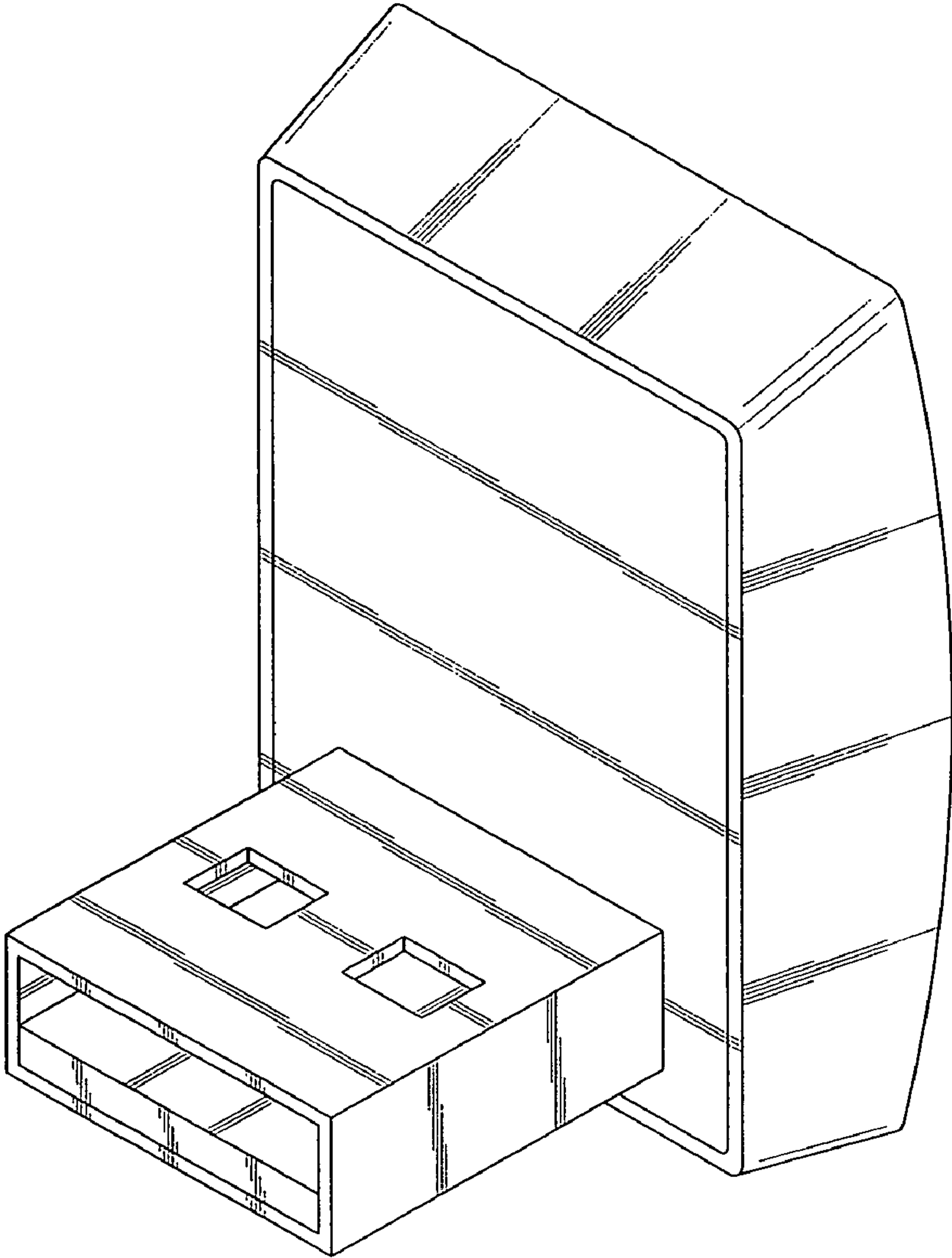


FIG.1

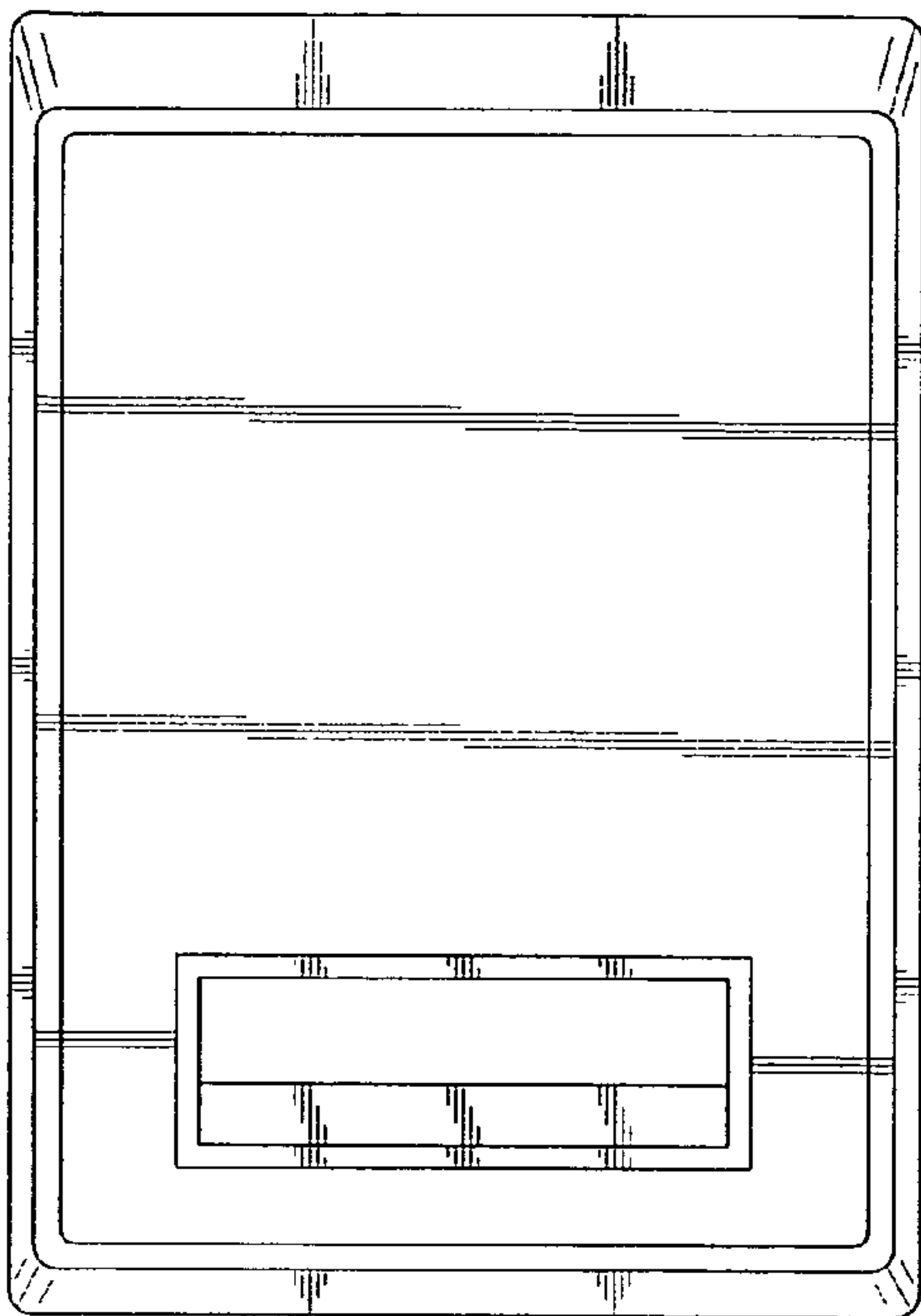


FIG. 2

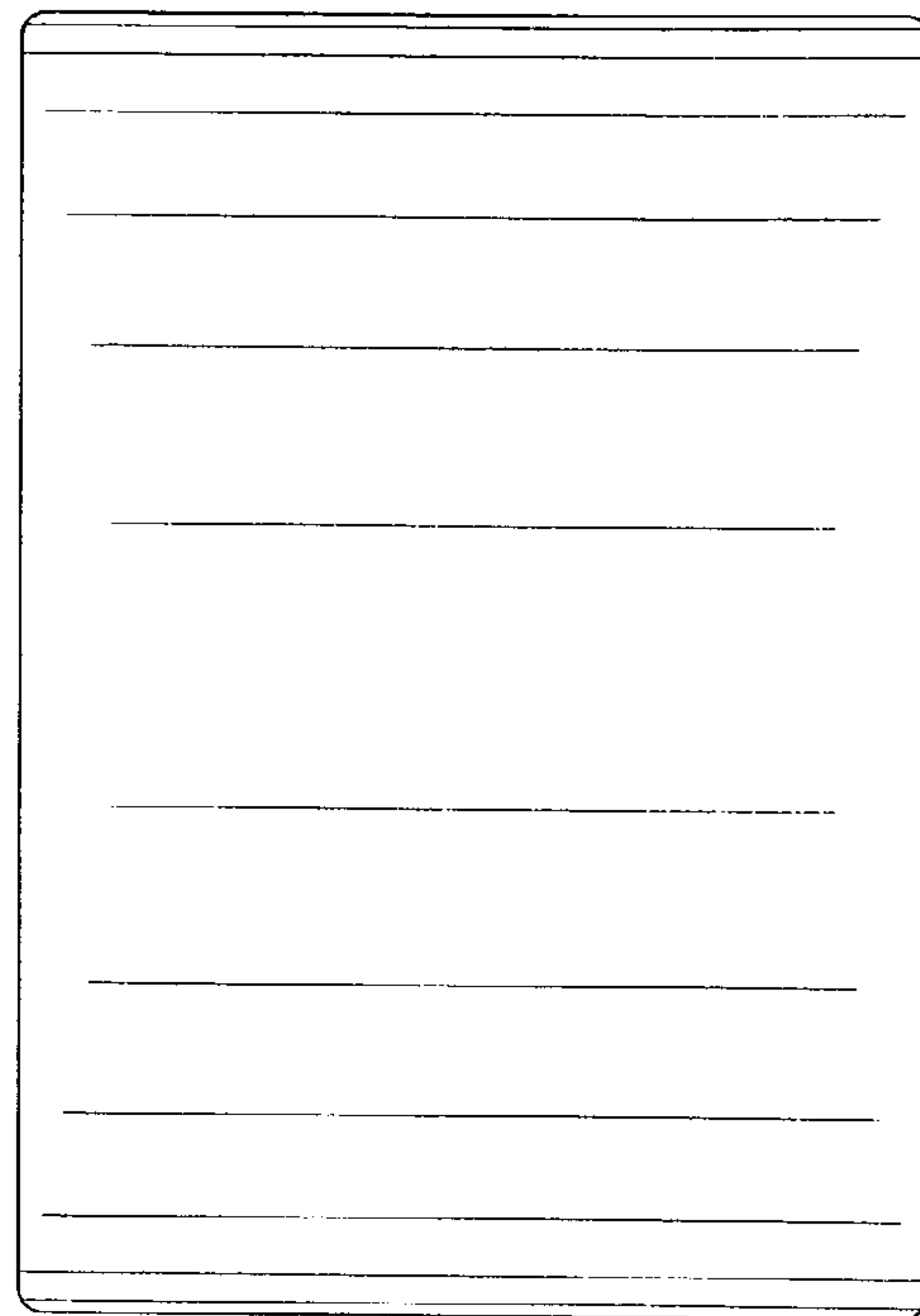


FIG. 3

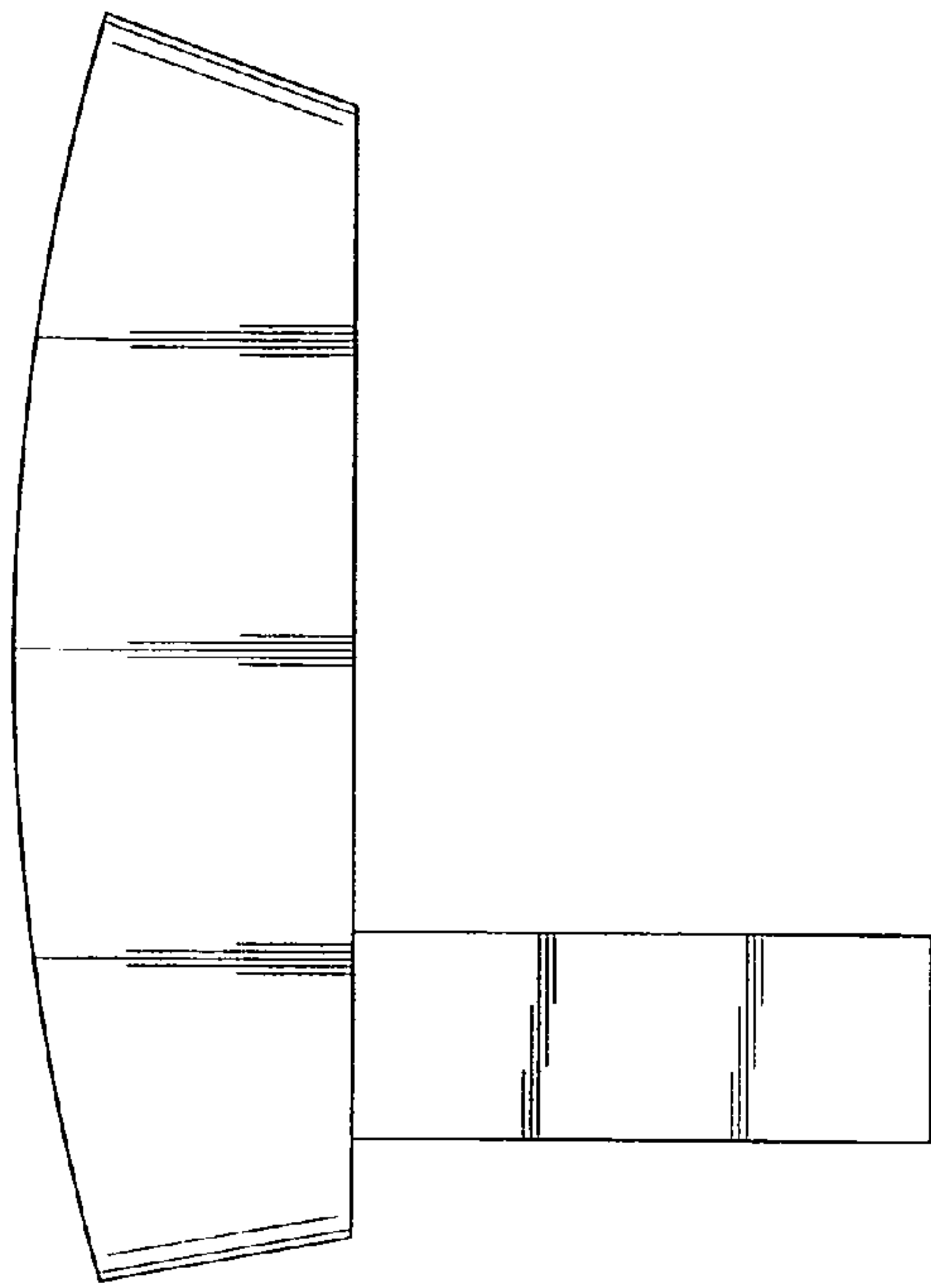


FIG. 4

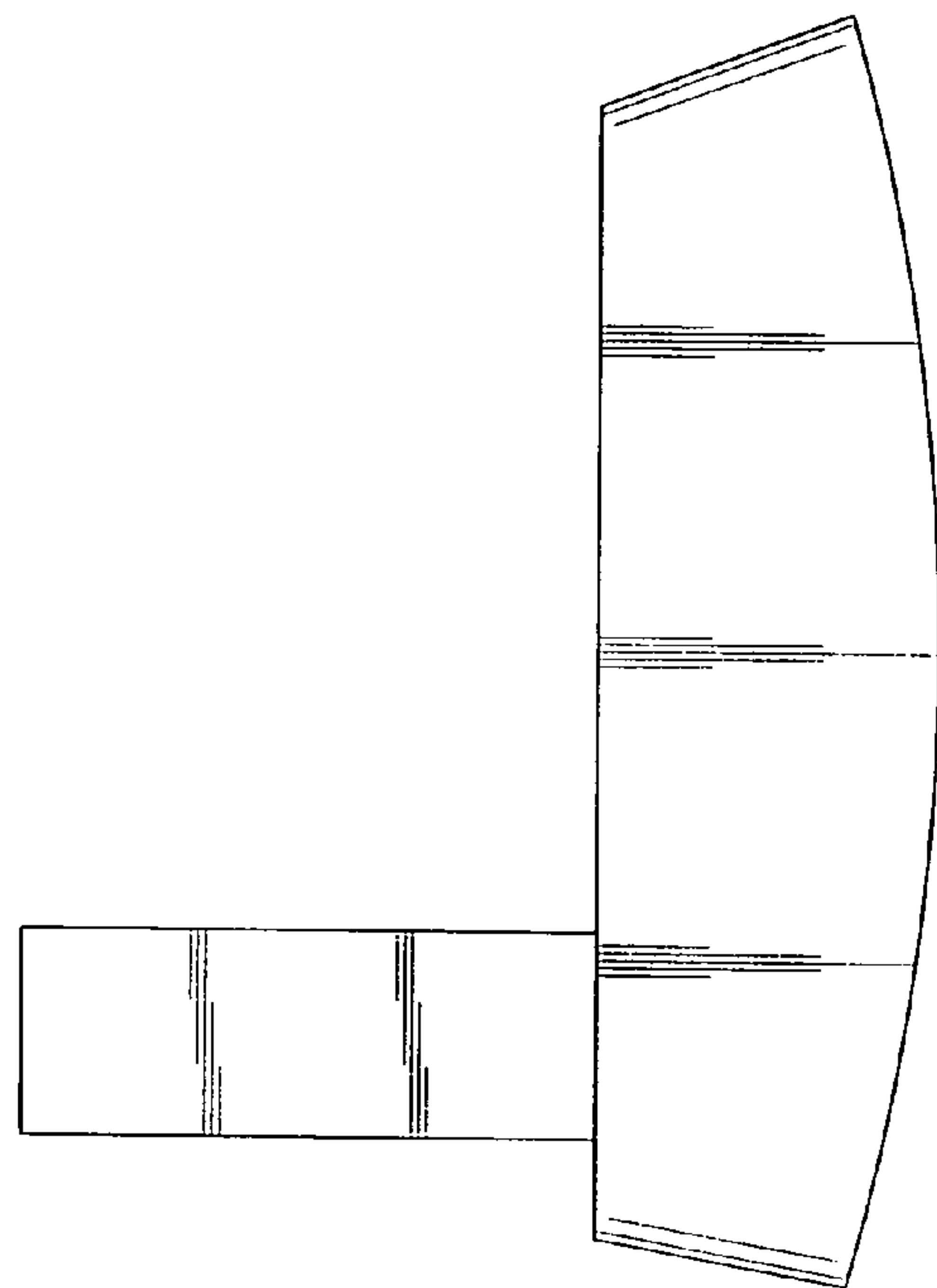


FIG. 5

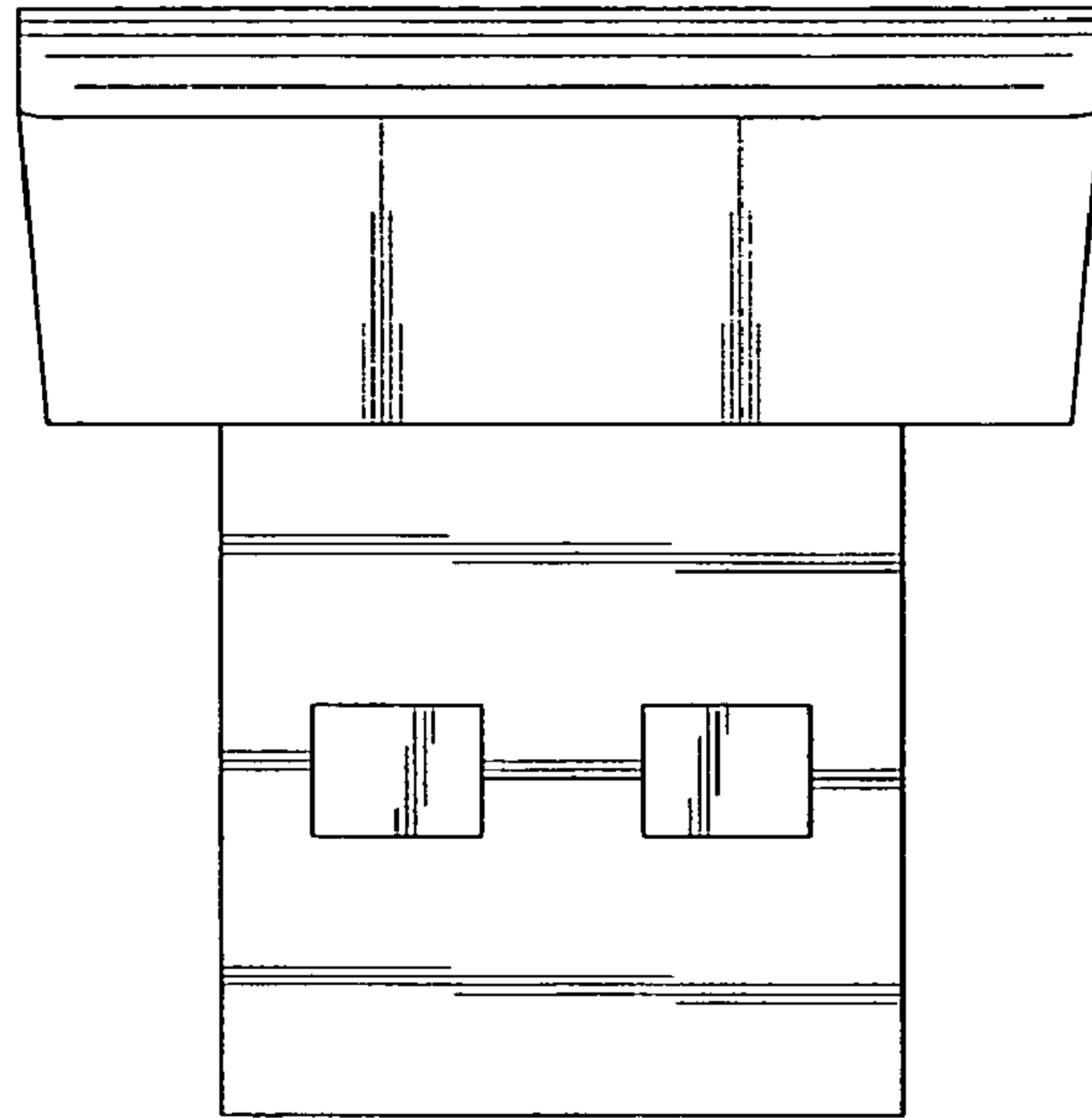


FIG.6

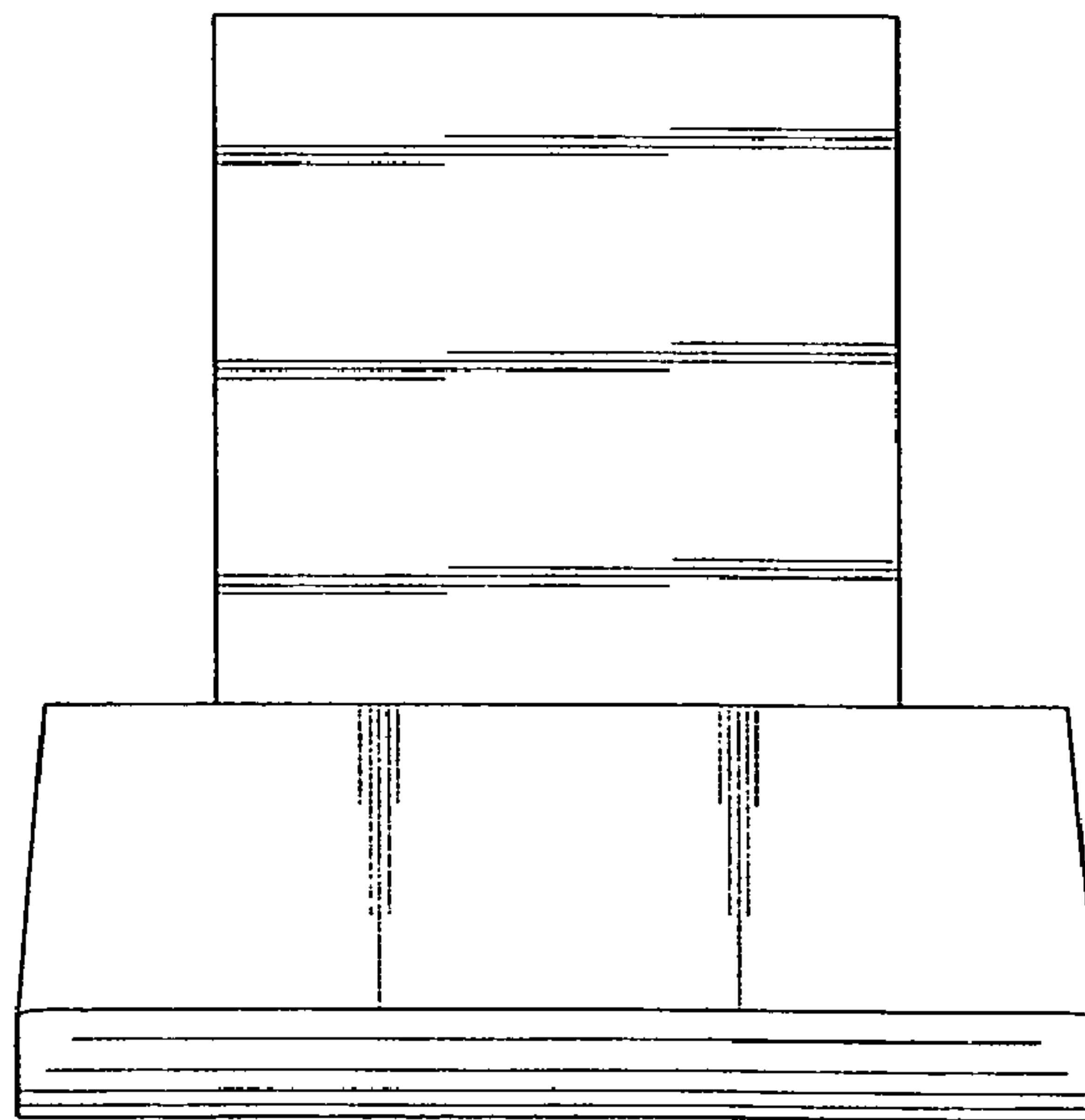


FIG.7