



US00D668256S

(12) **United States Design Patent**
Matteo

(10) **Patent No.:** **US D668,256 S**

(45) **Date of Patent:** **** Oct. 2, 2012**

(54) **CONVERTIBLE WORKSTATION**

(56) **References Cited**

(76) Inventor: **Salvatore Matteo**, Los Angeles, CA
(US)

U.S. PATENT DOCUMENTS

(**) Term: **14 Years**

D321,351 S *	11/1991	Kirchner	D14/251
D363,492 S *	10/1995	Brussing	D14/251
D429,251 S *	8/2000	Sundy et al.	D14/457
D442,966 S *	5/2001	Cabric	D14/447
D558,561 S *	1/2008	Ciungan et al.	D8/363
D558,562 S *	1/2008	Ciungan et al.	D8/363
D577,730 S *	9/2008	Rutten	D14/452
D596,187 S *	7/2009	Martell	D14/447
D598,917 S *	8/2009	Luber	D14/375
D640,709 S *	6/2011	Stoelinga	D14/452
D642,183 S *	7/2011	Chinuki et al.	D14/451
D642,583 S *	8/2011	Dittmer et al.	D14/452
D643,042 S *	8/2011	Saelid	D14/452

(21) Appl. No.: **29/379,916**

(22) Filed: **Nov. 26, 2010**

Related U.S. Application Data

(63) Continuation-in-part of application No. 12/699,068,
filed on Feb. 3, 2010.

* cited by examiner

(51) **LOC (9) Cl.** **08-07**

Primary Examiner — Angela J Lee

(52) **U.S. Cl.** **D14/447**

(74) *Attorney, Agent, or Firm* — Michael D. Eisenberg

(58) **Field of Classification Search** D14/447,
D14/448, 451, 452, 432, 434, 439, 440, 457,
D14/460, 461, 239, 250, 251, 253, 217, 238.1;
D3/218; D6/310, 312, 311, 406.3, 406.4,
D6/406.5, 406.6, 419; 248/917-924, 688,
248/441.1, 451, 454, 460, 463, 136, 149,
248/150, 164, 166, 176.2, 176.3, 176.1, 346.03,
248/346.3; 361/679.02, 679.09, 679.21,
361/679.22, 379.26, 679.27, 679.28, 679.29,
361/679.3, 679.46, 679.47, 679.48, 679.55,
361/679.56, 679.57, 679.58, 679.59, 679.6;
150/165; 224/929, 930

(57) **CLAIM**

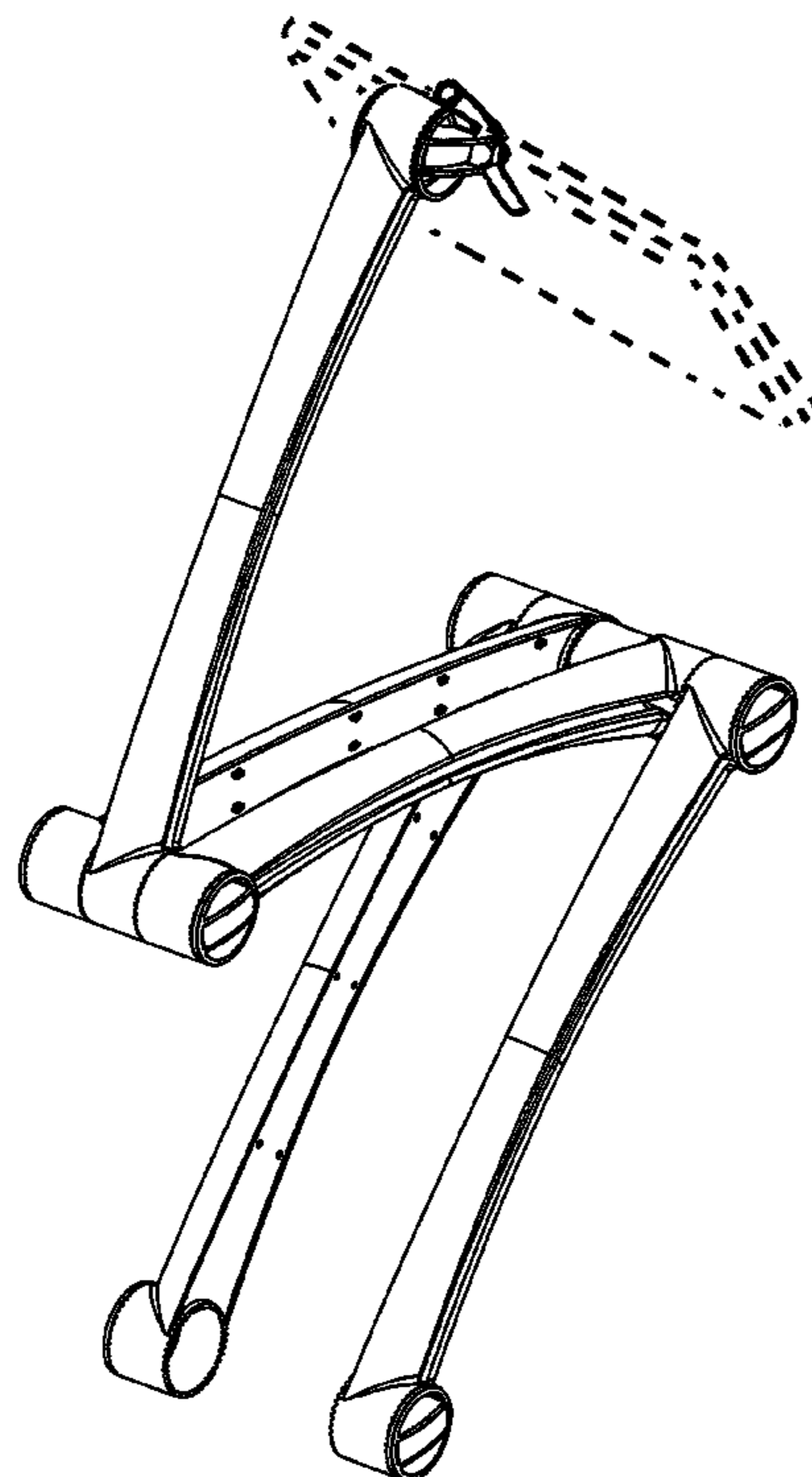
The ornamental design for the convertible workstation, as
shown and described.

DESCRIPTION

FIG. 1 is a perspective view of a convertible workstation;
FIG. 2 is a front view of the convertible workstation;
FIG. 3 is a left side view of the convertible workstation;
FIG. 4 is a right view of the convertible workstation;
FIG. 5 is a top view of the convertible workstation;
FIG. 6 is a back view of the convertible workstation; and,
FIG. 7 is a bottom view of the convertible workstation.
The broken lines shown are for illustrative purposes only and
form no part of the claimed design.

See application file for complete search history.

1 Claim, 7 Drawing Sheets



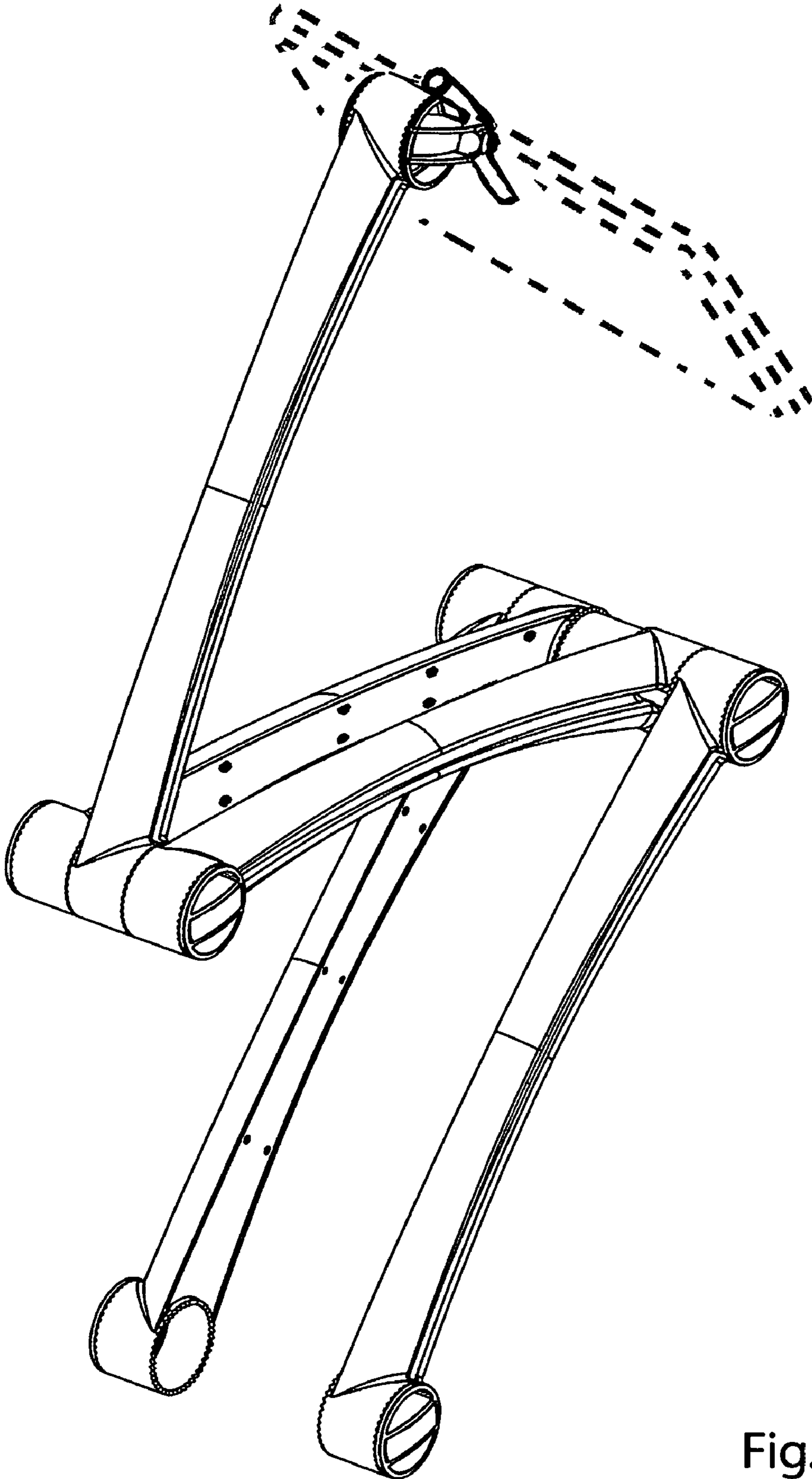


Fig.1

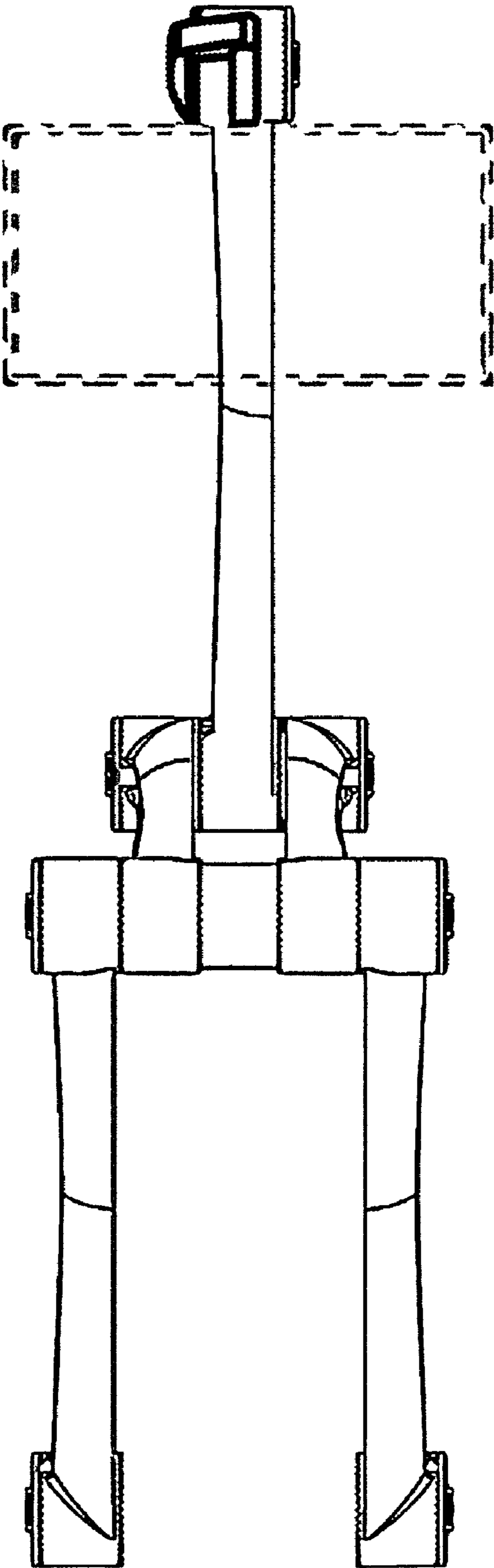


Fig. 2

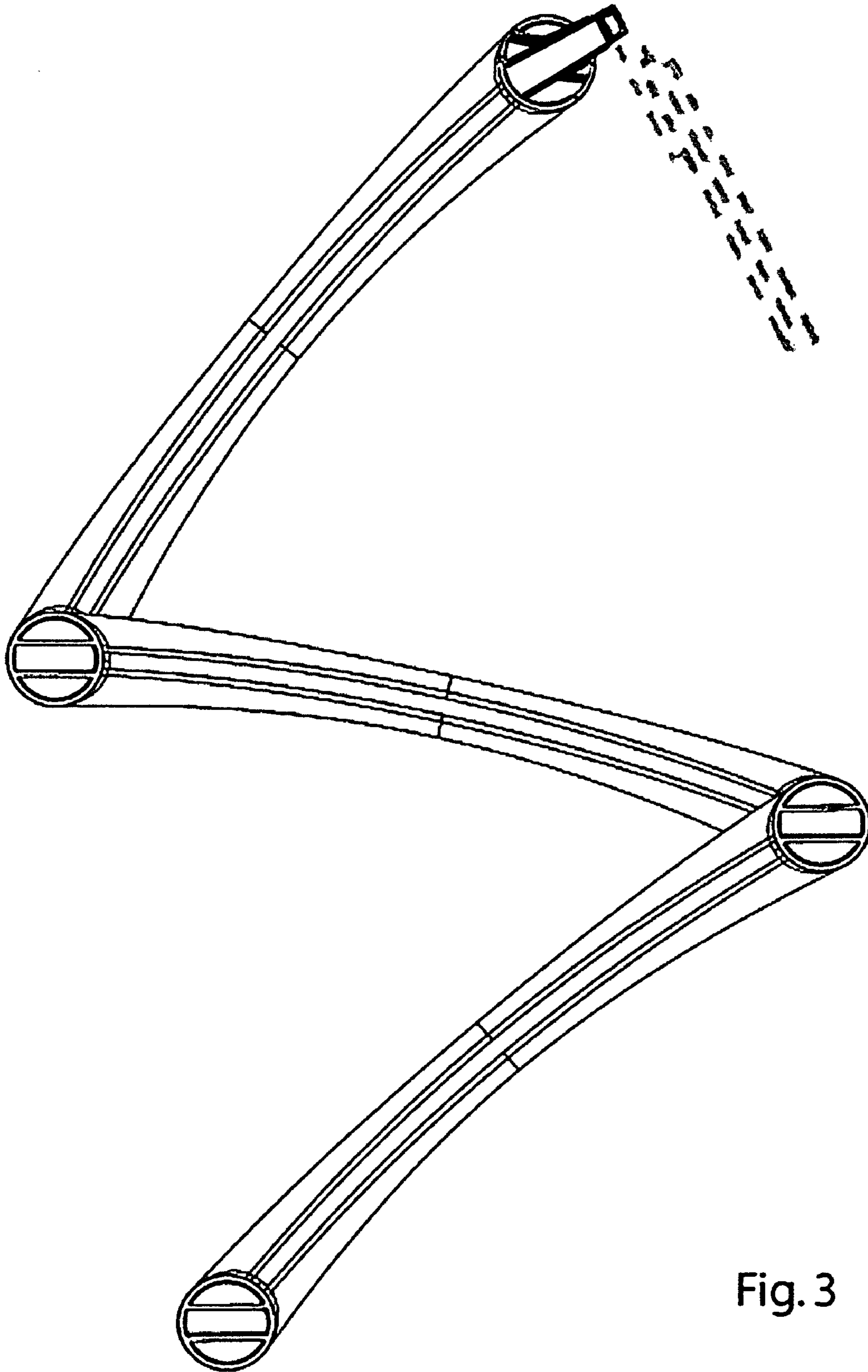


Fig. 3

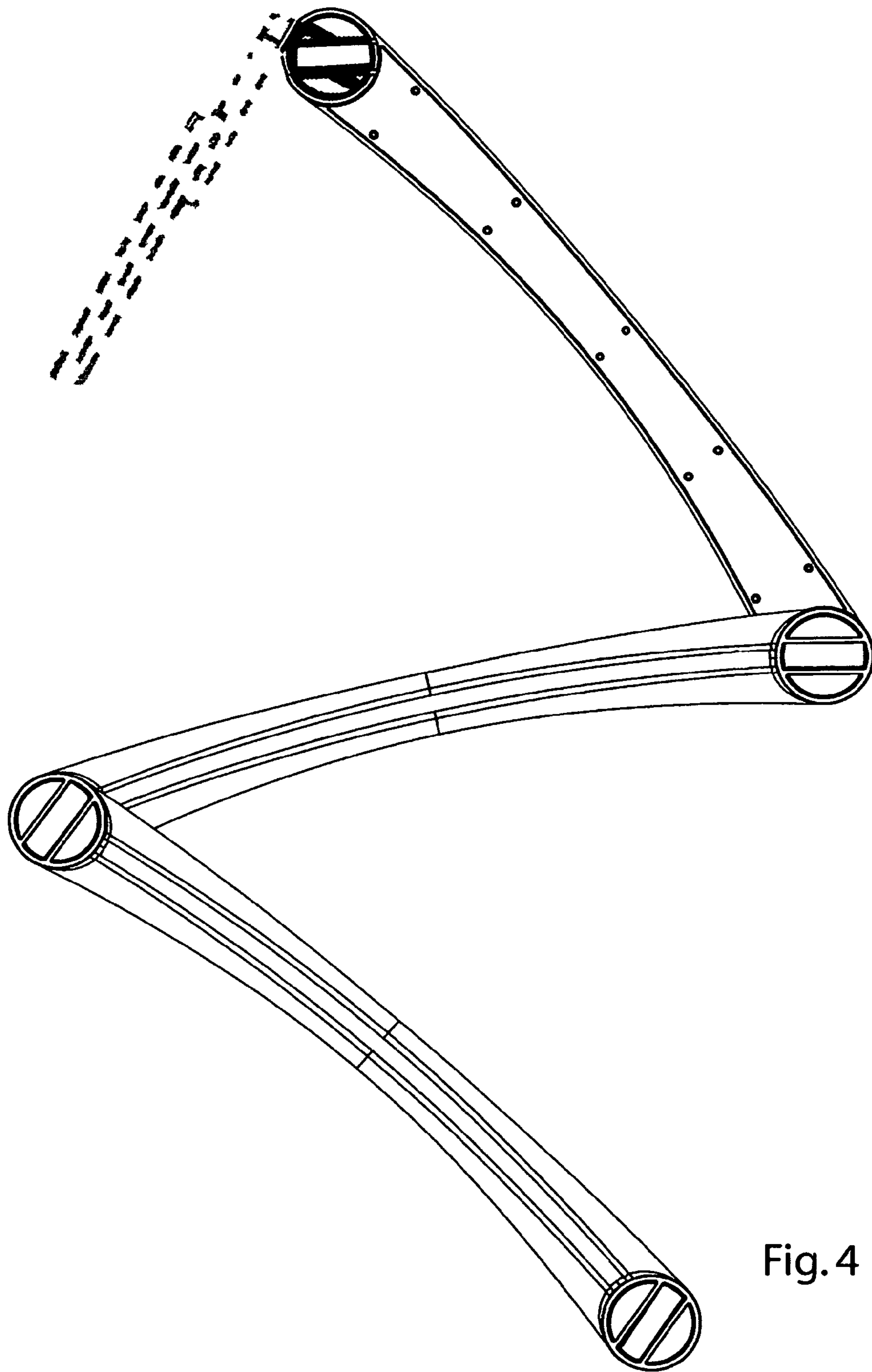


Fig. 4

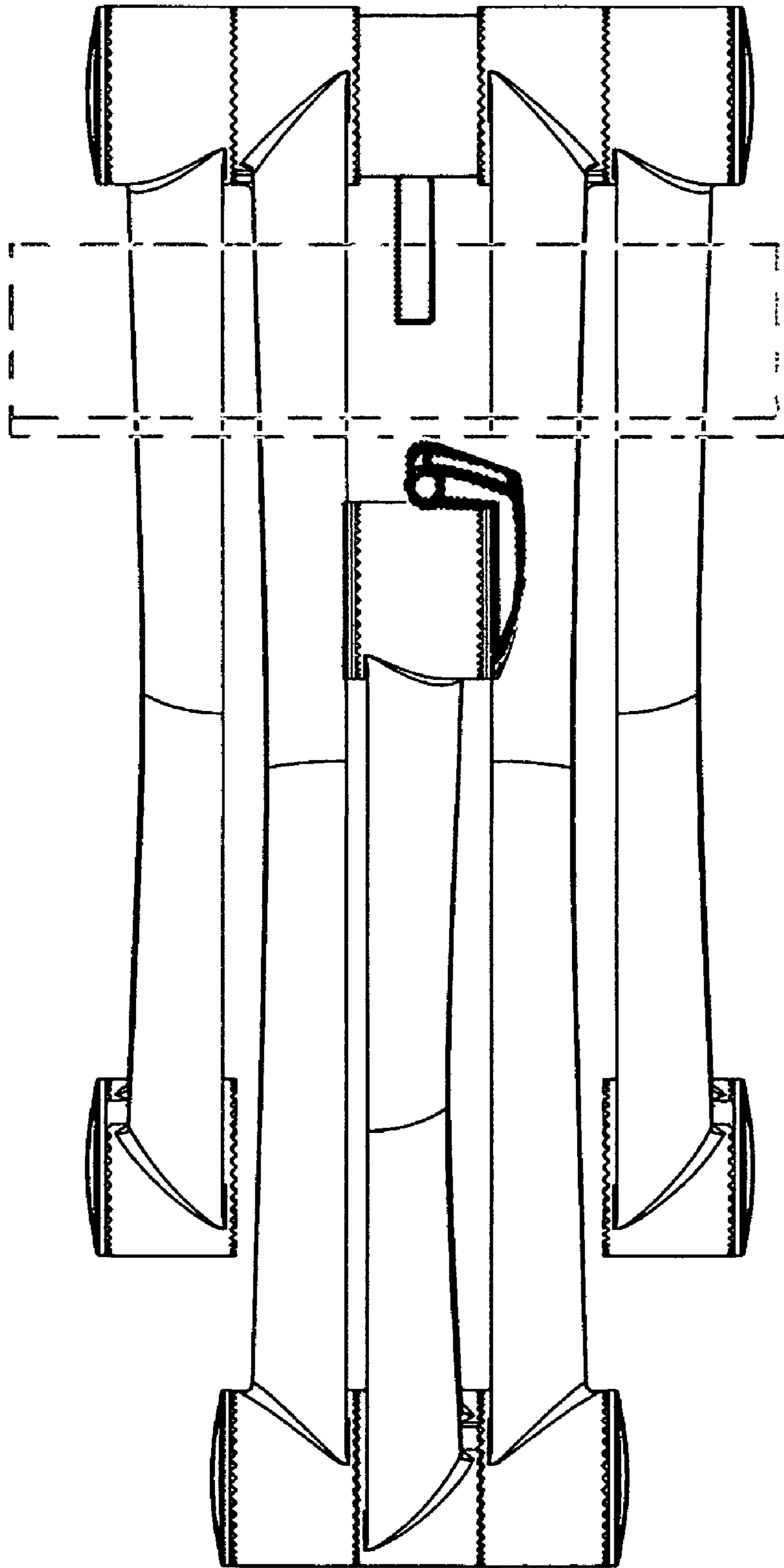


Fig.5

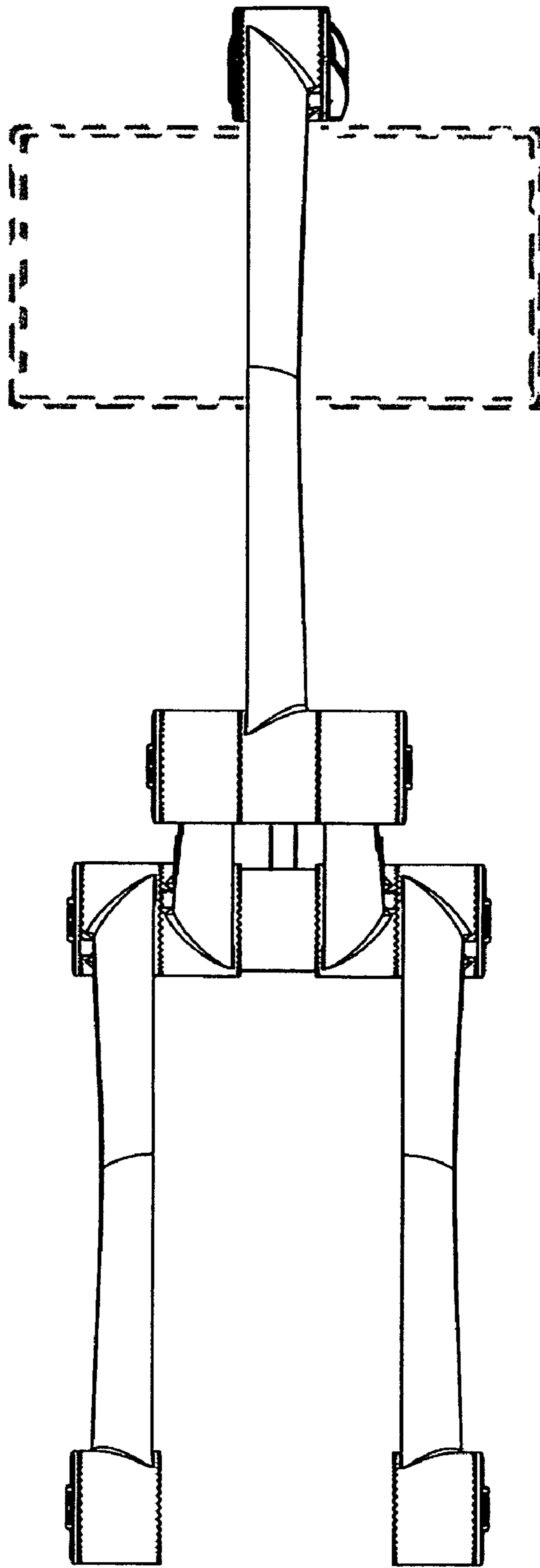


Fig. 6

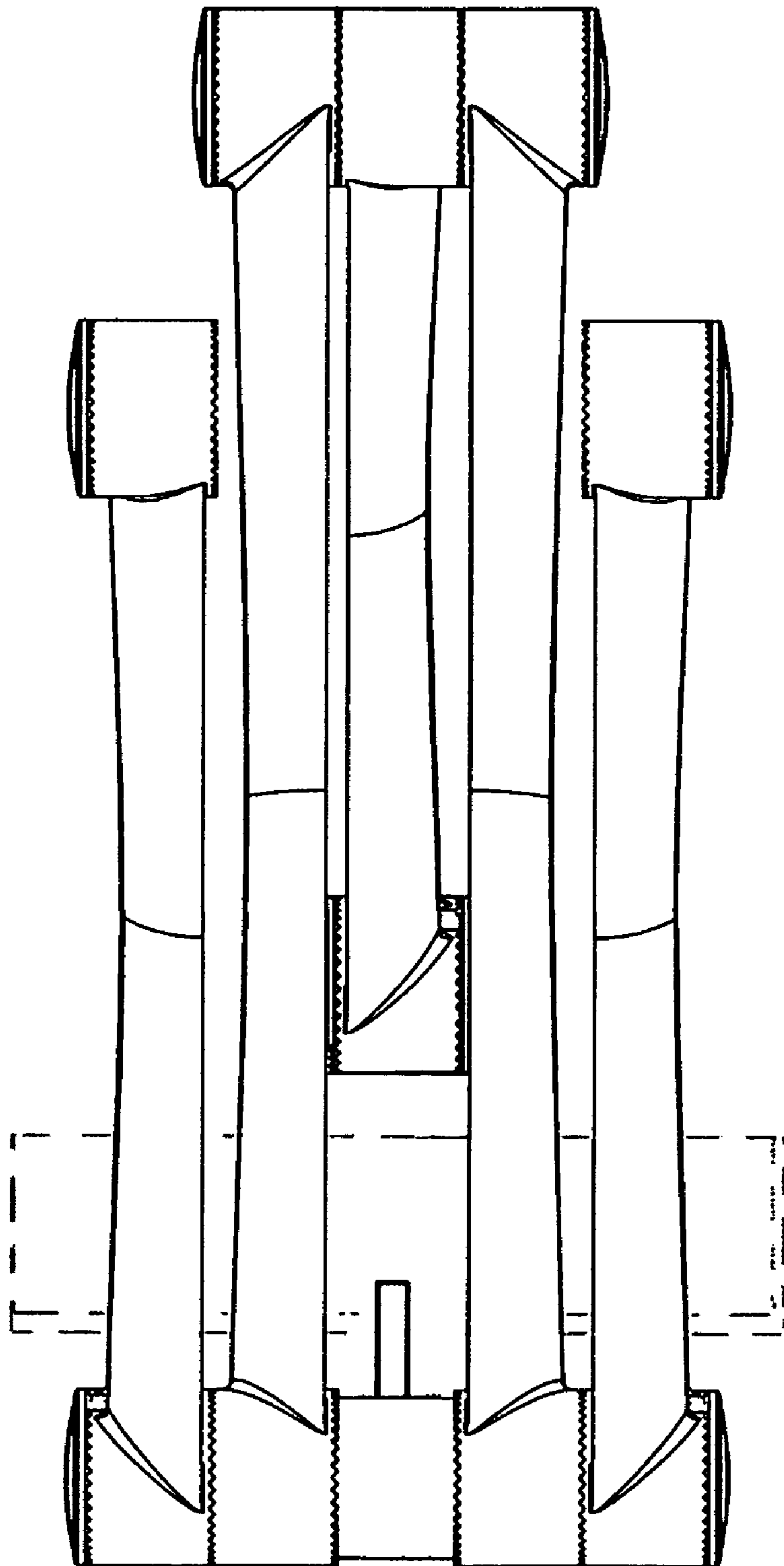


Fig. 7