



US00D668255S

(12) **United States Design Patent**  
**McManigal et al.**

(10) **Patent No.:** **US D668,255 S**

(45) **Date of Patent:** **\*\* Oct. 2, 2012**

(54) **PORTABLE COMPUTER DOCK**

(75) Inventors: **Scott Paul McManigal**, Newport Beach, CA (US); **William Wang**, Irvine, CA (US)

(73) Assignee: **Vizio Inc.**, Irvine, CA (US)

(\*\*) Term: **14 Years**

(21) Appl. No.: **29/403,956**

(22) Filed: **Oct. 13, 2011**

(51) **LOC (9) Cl.** ..... **14-02**

(52) **U.S. Cl.** ..... **D14/434**

(58) **Field of Classification Search** ..... D14/432-434, D14/314, 204, 420, 421, 447, 217, 358, 138 R, D14/140, 142; D13/107, 108, 146; D8/373; 248/346.03, 176.1; 361/679.41, 679.31, 361/679.32, 679.4, 679.43, 679.55, 679.58, 361/679.33; 320/109, 112-115; 710/15, 710/303; 455/557; 439/347, 534

See application file for complete search history.

(56) **References Cited**

U.S. PATENT DOCUMENTS

D596,162 S \* 7/2009 Selvaraj et al. .... D14/217  
D597,081 S \* 7/2009 Andre et al. .... D14/217  
D599,801 S \* 9/2009 Skaf et al. .... D14/434

D623,132 S \* 9/2010 Yano ..... D13/108  
D630,579 S \* 1/2011 Fahrendorff et al. .... D13/108  
D634,304 S \* 3/2011 Andre et al. .... D14/217  
D642,121 S \* 7/2011 Lee et al. .... D13/108  
2008/0219488 A1\* 9/2008 Crooijmans et al. .... 381/333

\* cited by examiner

*Primary Examiner* — Freda S Nunn

(74) *Attorney, Agent, or Firm* — Law Office of Scott C. Harris, Inc.

(57) **CLAIM**

The ornamental design for portable computer dock, as shown and described.

**DESCRIPTION**

FIG. 1 is a front perspective view of the portable computer dock;

FIG. 2 is a front view of the portable computer dock;

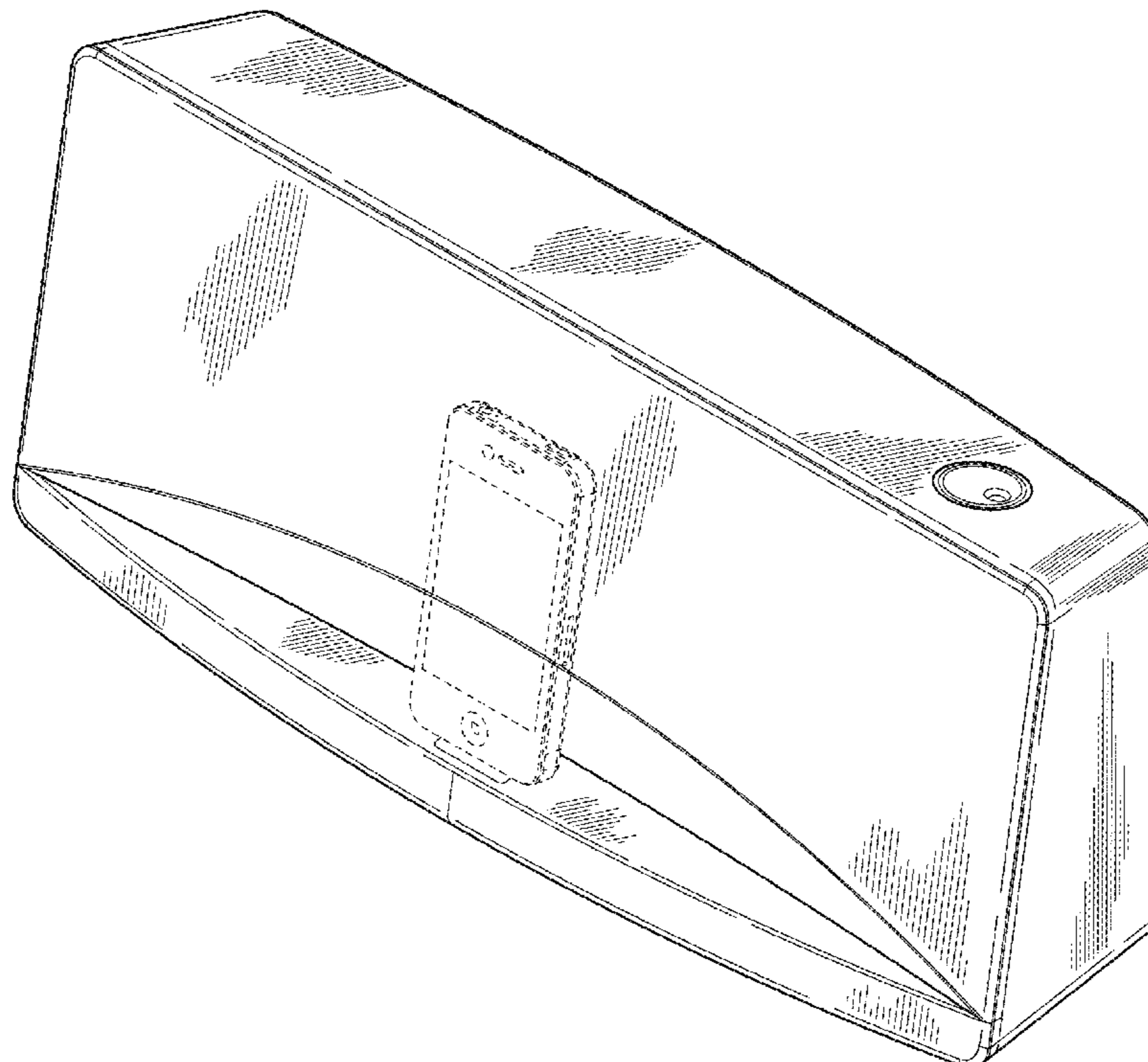
FIG. 3 is a back view of the portable computer dock;

FIGS. 4 and 5 show alternate side views of the portable computer dock; and,

FIGS. 6 and 7 show respectively top and bottom views respectively of the portable computer dock.

Broken lines shown in the drawings illustrate portions of the portable computer dock and form no part of the claimed design.

**1 Claim, 4 Drawing Sheets**



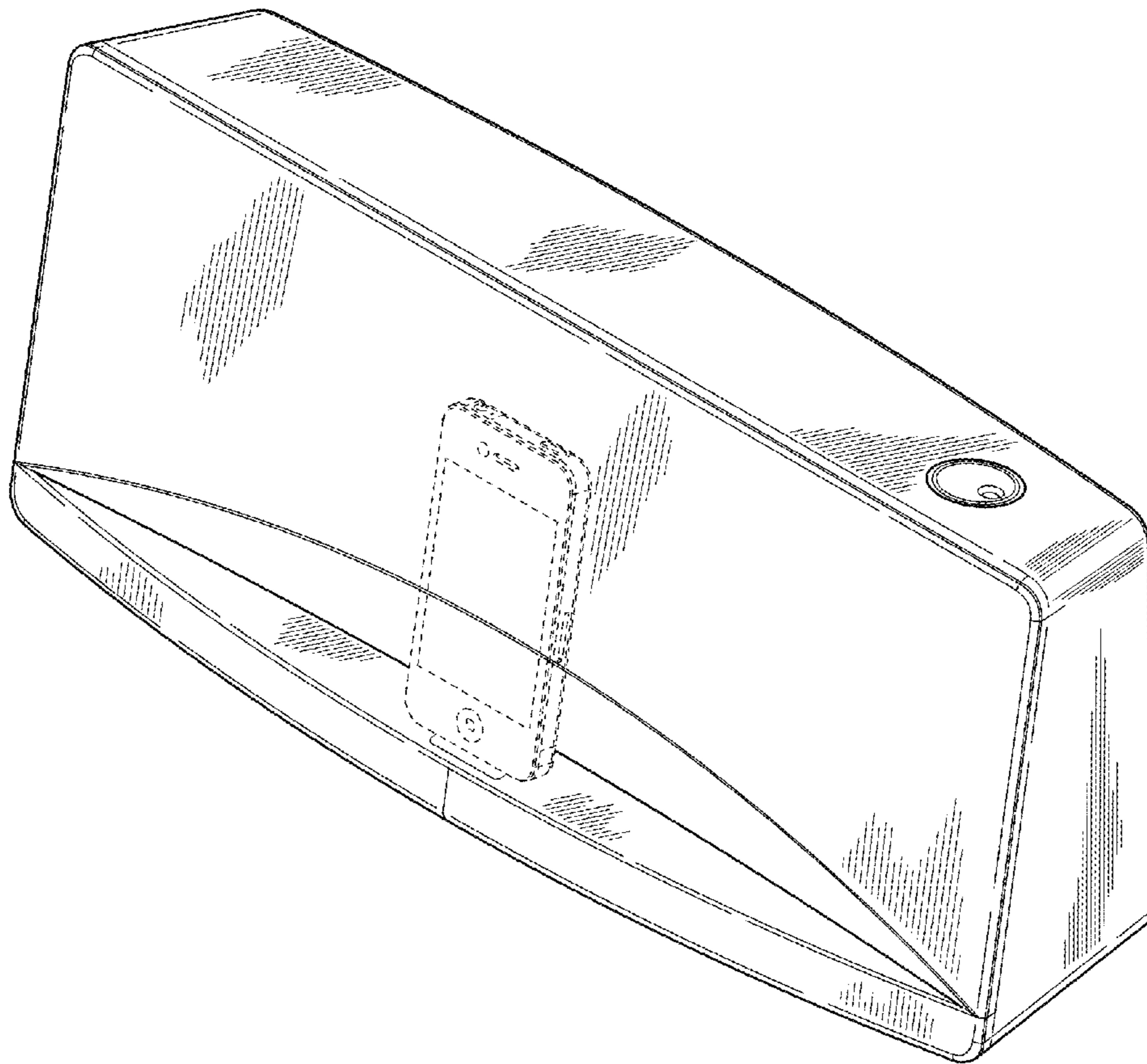


FIG. 1

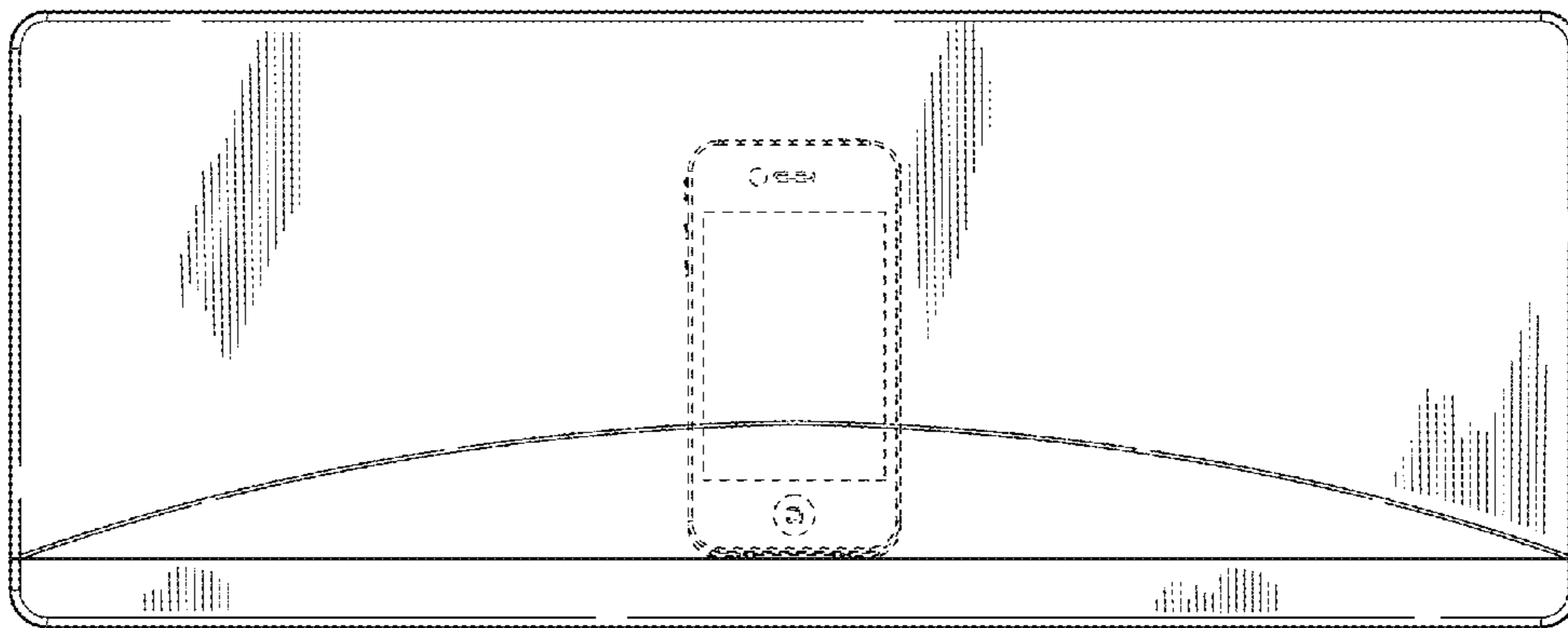


FIG. 2

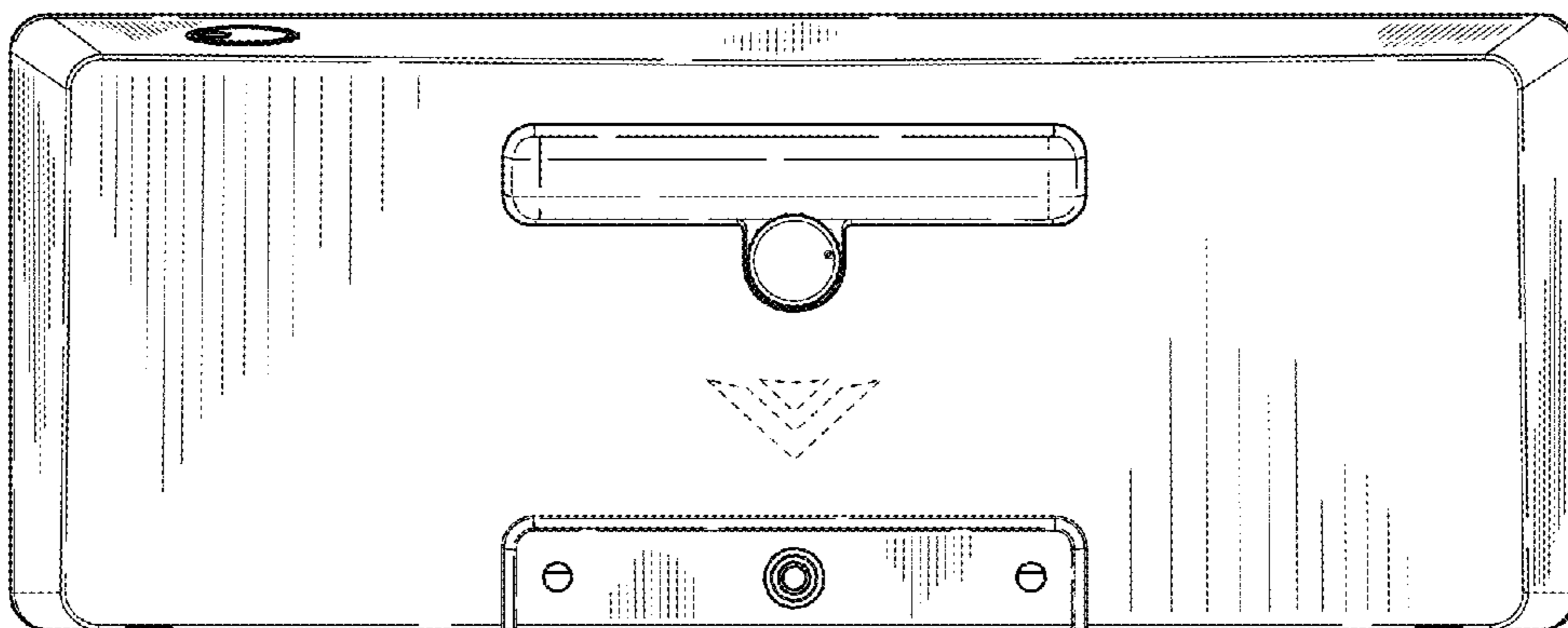
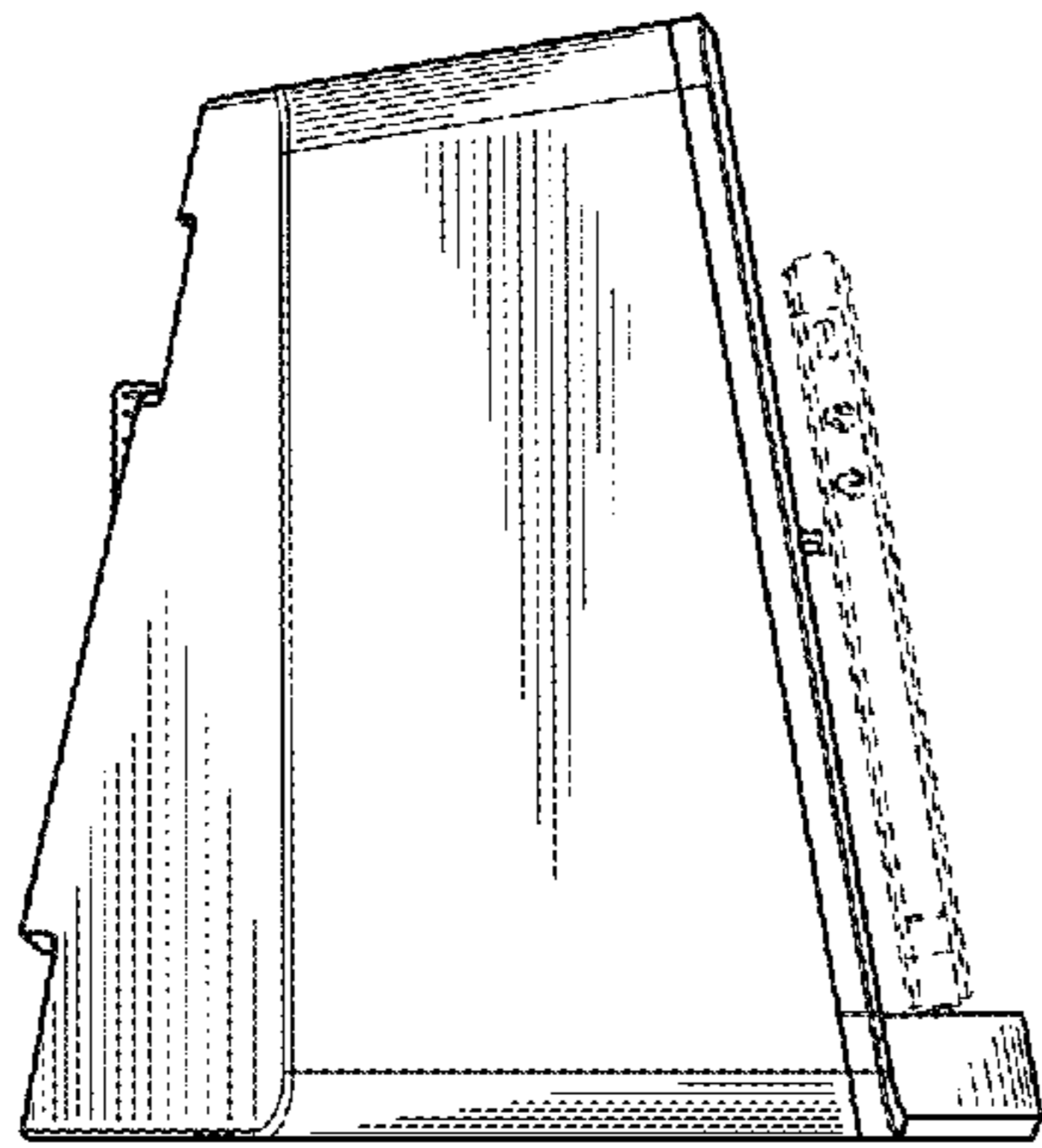
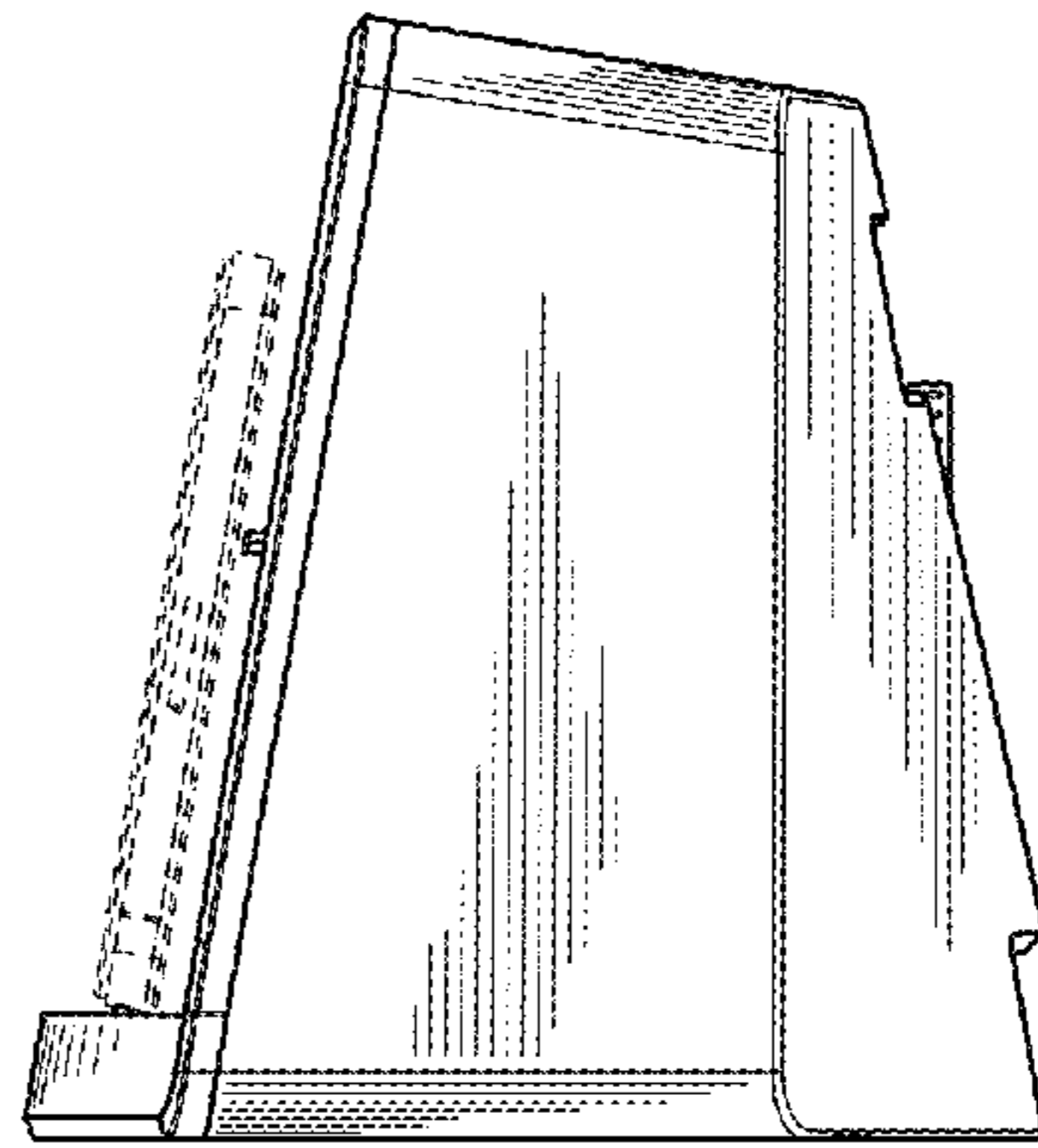


FIG. 3



**FIG. 4**



**FIG. 5**

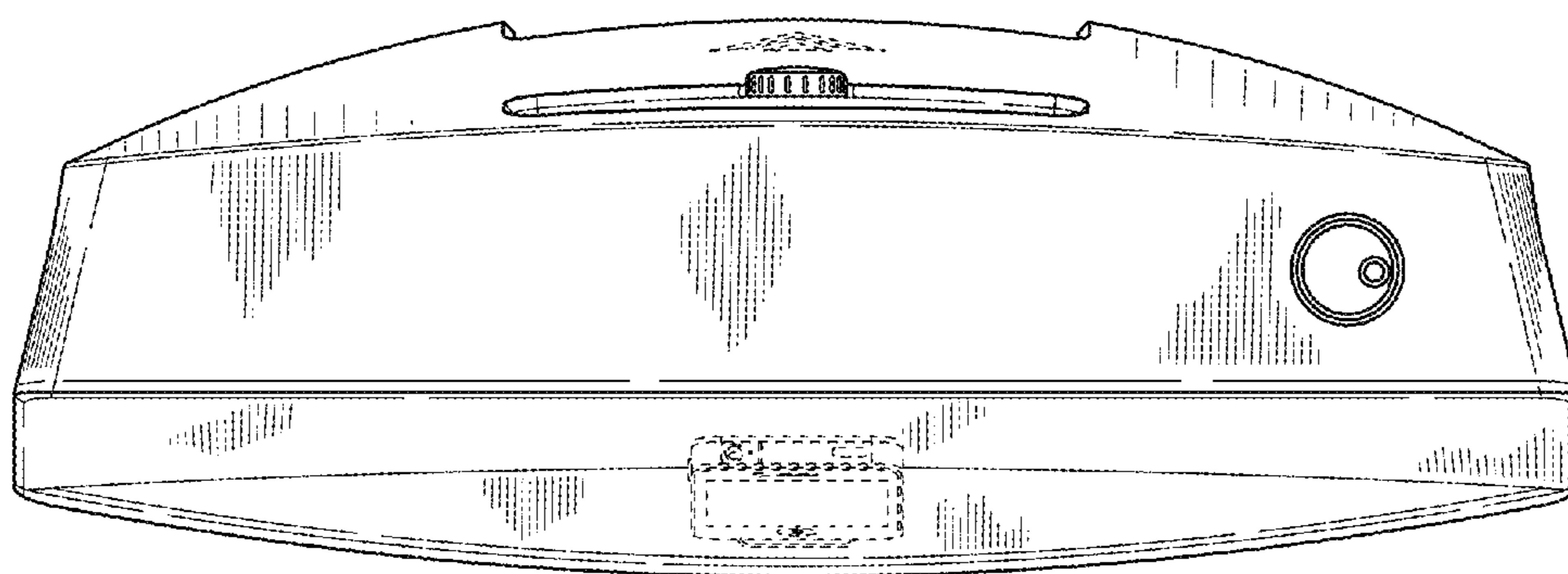


FIG. 6

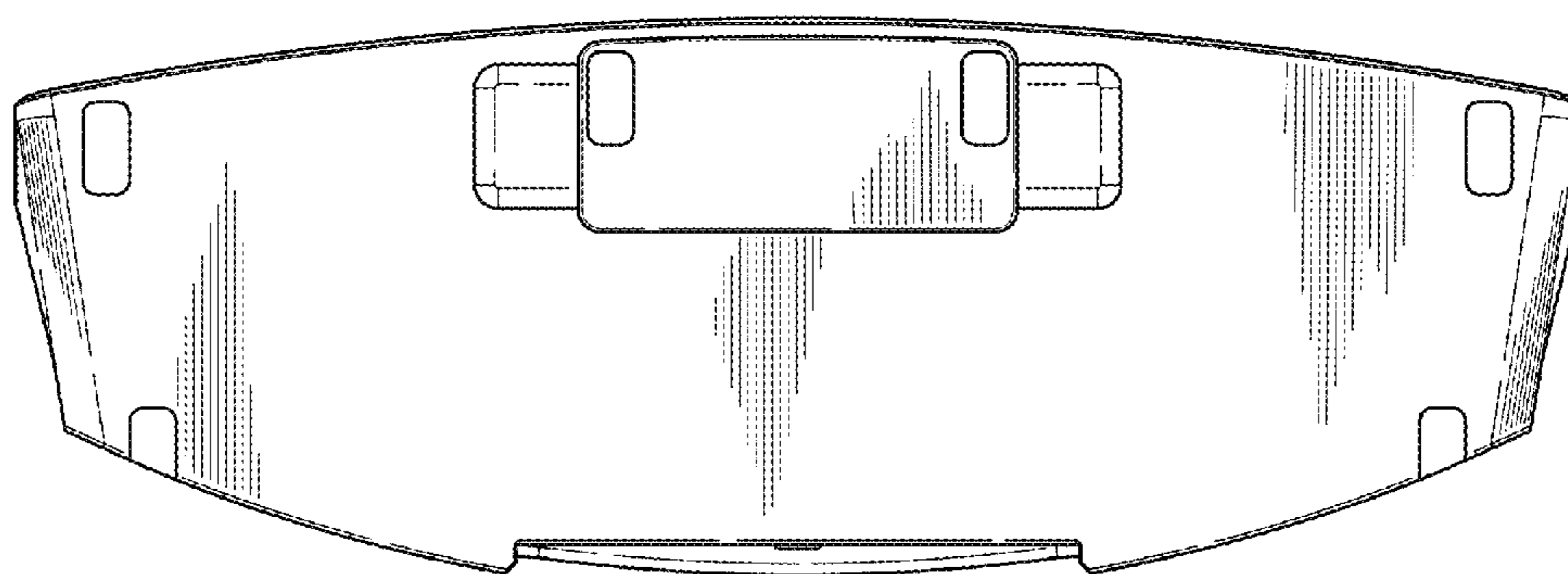


FIG. 7