

US00D668252S

(12) **United States Design Patent**
Lu

(10) **Patent No.:** **US D668,252 S**
(45) **Date of Patent:** **** Oct. 2, 2012**

(54) **STYLUS PEN FOR MOBILE PHONE**

(76) Inventor: **Ning Lu**, Guangdong Province (CN)

(**) Term: **14 Years**

(21) Appl. No.: **29/414,054**

(22) Filed: **Feb. 24, 2012**

(51) **LOC (9) Cl.** **14-02**

(52) **U.S. Cl.** **D14/411**

(58) **Field of Classification Search** D8/61;
D14/411; D19/35, 36, 41-51, 54-58; 401/55,
401/99, 100, 104-107, 196, 197, 202, 208,
401/209, 213, 192, 195, 243; 708/107; 345/179,
345/173; 178/19.01; 700/94

See application file for complete search history.

(56) **References Cited**

U.S. PATENT DOCUMENTS

D238,357 S *	1/1976	Di Carlo	D19/36
D320,787 S *	10/1991	Valls et al.	D14/411
7,204,791 B1 *	4/2007	Baumler et al.	482/142
D570,847 S *	6/2008	Chern	D14/434

D612,383 S *	3/2010	Wen	D14/434
D619,581 S *	7/2010	Tani et al.	D14/411
D623,126 S *	9/2010	Contreras	D13/103
D637,953 S *	5/2011	Huang et al.	D13/108
D638,429 S *	5/2011	Tatara et al.	D14/411
D640,698 S *	6/2011	Shi et al.	D14/411
D645,816 S *	9/2011	Sasada et al.	D13/108
D653,613 S *	2/2012	Sasada et al.	D13/108

* cited by examiner

Primary Examiner — Austin Murphy

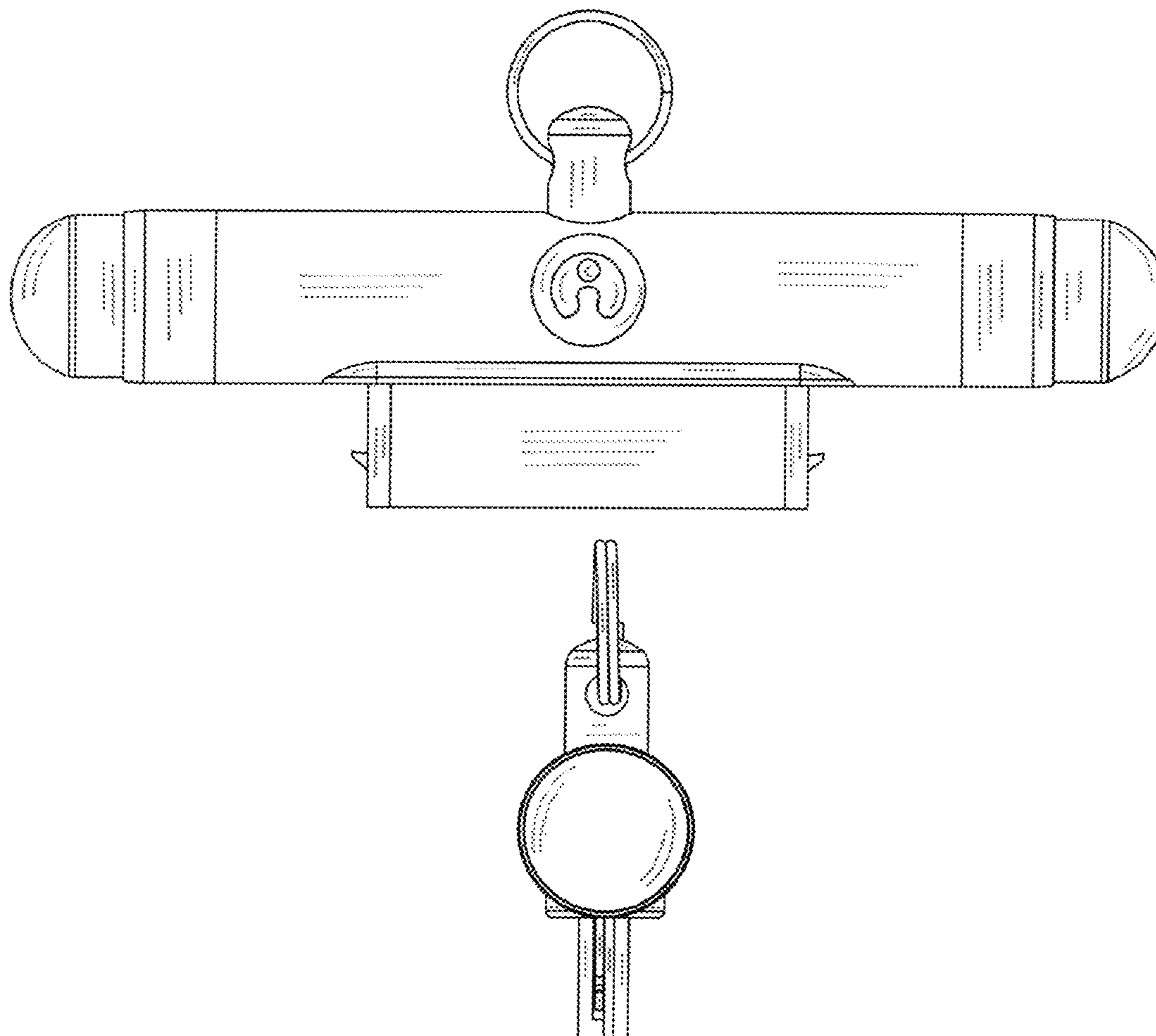
(57) **CLAIM**

The ornamental design for a stylus pen for mobile phone, as shown.

DESCRIPTION

FIG. 1 is a front elevational view of a stylus pen for mobile phone showing my new design;
FIG. 2 is a rear elevational view thereof;
FIG. 3 is a left side view thereof;
FIG. 4 is a right side view thereof;
FIG. 5 is a top plan view thereof; and,
FIG. 6 is a bottom plan view thereof.

1 Claim, 2 Drawing Sheets



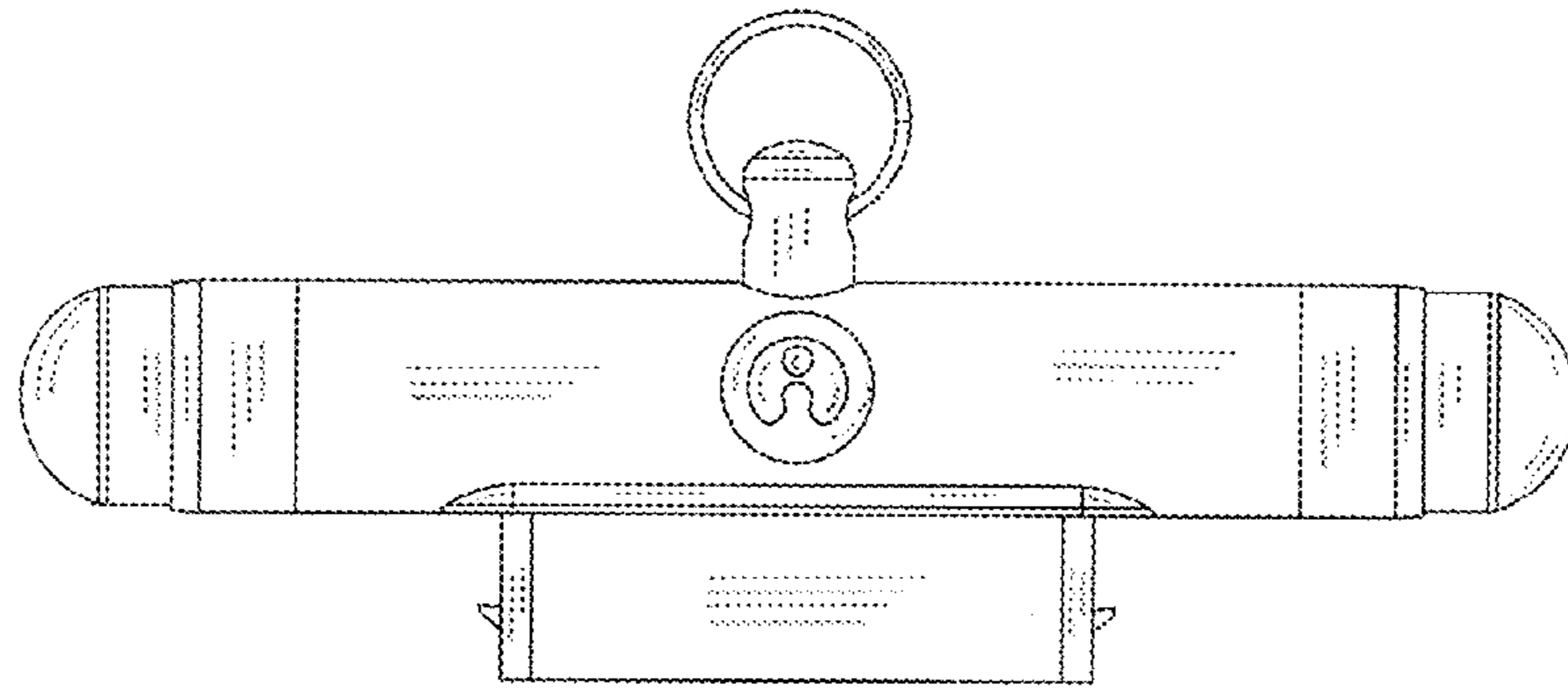


FIG. 1

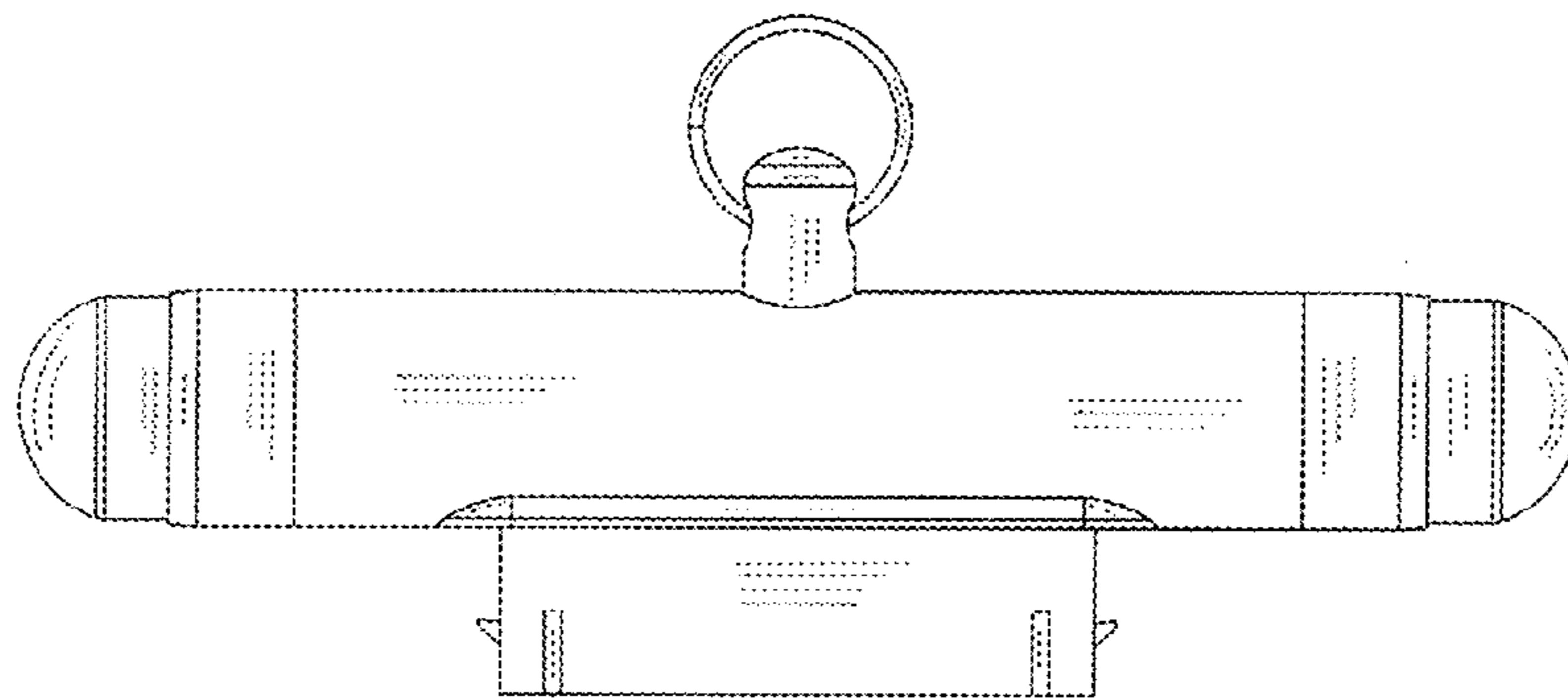


FIG. 2

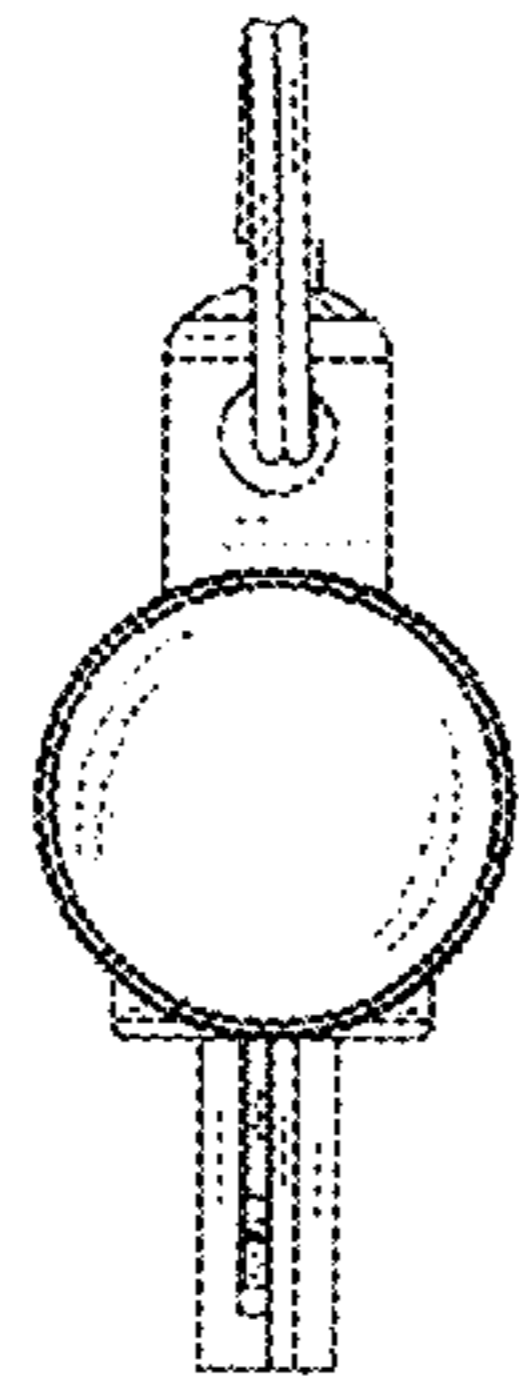


FIG. 3

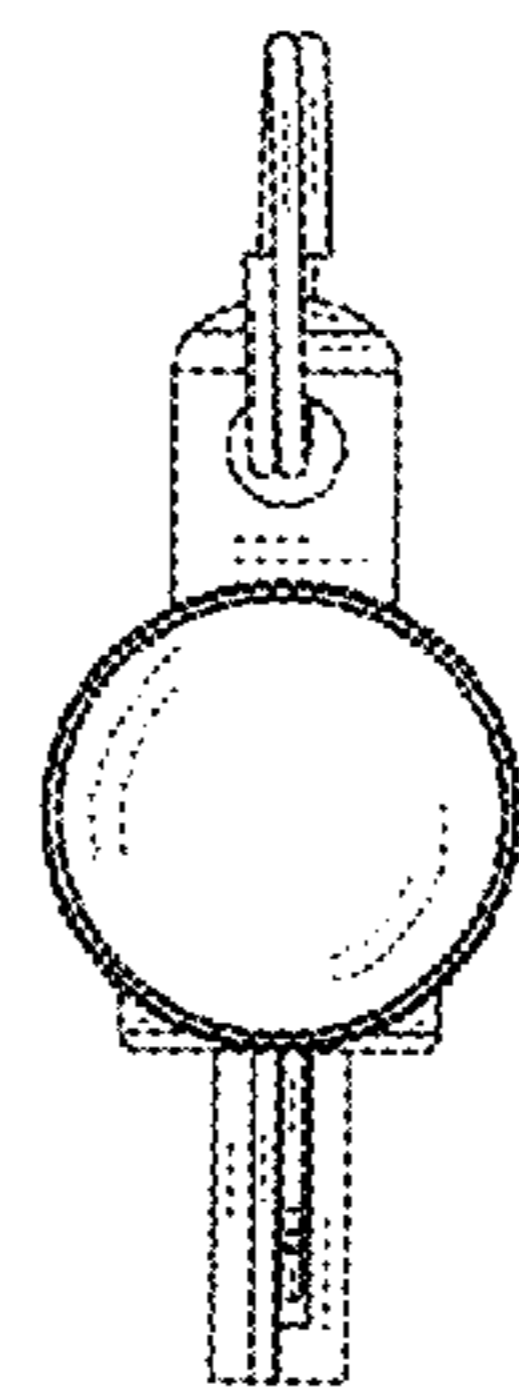


FIG. 4

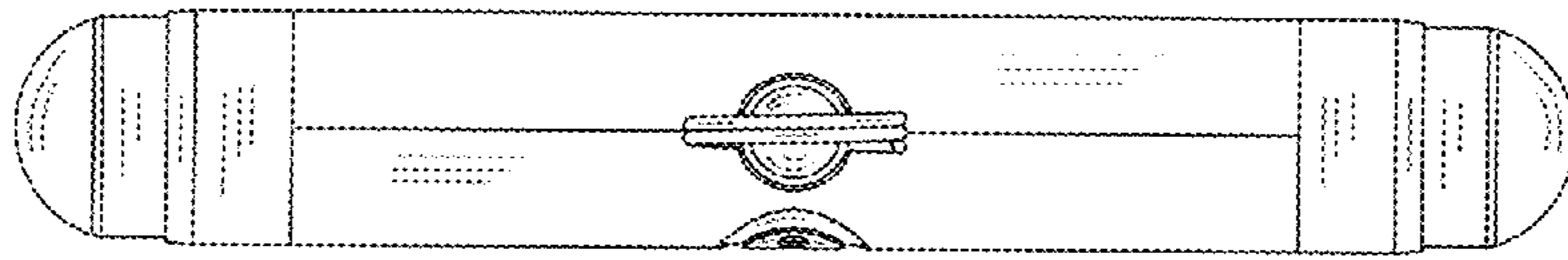


FIG. 5

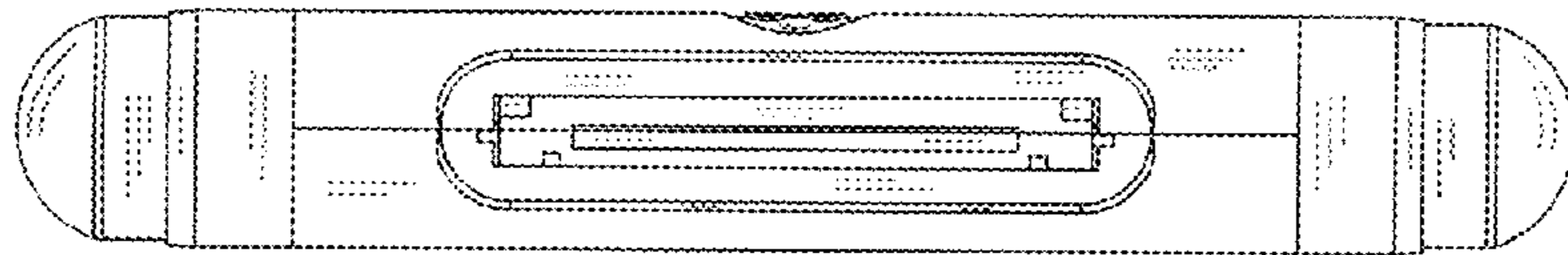


FIG. 6