



US00D668251S

(12) **United States Design Patent**
Morrell

(10) **Patent No.:** **US D668,251 S**

(45) **Date of Patent:** **** Oct. 2, 2012**

(54) **DATA CAPTURE CONSOLE**

(75) Inventor: **Michael George Morrell**, Iluka (AU)

(73) Assignee: **The Jazzmatrix Corporation**, Iluka (AU)

(**) Term: **14 Years**

(21) Appl. No.: **29/382,918**

(22) Filed: **Jan. 10, 2011**

(30) **Foreign Application Priority Data**

Jul. 13, 2010 (ZA) A2010/00968

(51) **LOC (9) Cl.** **14-02**

(52) **U.S. Cl.** **D14/383**

(58) **Field of Classification Search** D14/302-307,
D14/900-902, 336, 371, 383; D13/163;
D20/10; D18/4.1, 4.4, 4.6; D99/28; 194/206;
361/679.01, 679.02, 679.04, 679.21, 679.57,
361/725; 235/386, 51; 705/12

See application file for complete search history.

(56) **References Cited**

U.S. PATENT DOCUMENTS

D303,956 S *	10/1989	Ditzik	D14/335
D362,427 S *	9/1995	Mizusugi et al.	D18/4.4
D385,903 S *	11/1997	Kim	D18/4.4
D385,904 S *	11/1997	Kim	D18/4.4
D428,046 S *	7/2000	Berger	D18/4.6
D428,047 S *	7/2000	Kolls	D18/4.6
D447,140 S *	8/2001	Mittler	D14/383
D451,535 S *	12/2001	Lee	D18/4.6
D468,735 S *	1/2003	Landerholm et al.	D14/336
D480,725 S *	10/2003	Funato	D14/383
D507,592 S *	7/2005	Mizusugi et al.	D18/4.1
D514,565 S *	2/2006	Haygood	D14/371
D585,056 S *	1/2009	Ekelund	D14/336

* cited by examiner

Primary Examiner — Austin Murphy

(74) *Attorney, Agent, or Firm* — Barnes & Thornburg LLP

(57) **CLAIM**

The ornamental design for a data capture console, as shown and described.

DESCRIPTION

FIG. 1 is a front perspective view of a data capture console showing my new design;

FIG. 2 is a rear perspective view of the data capture console of FIG. 1;

FIG. 3 is top view of the data capture console of FIG. 1;

FIG. 4 is a front view of the data capture console of FIG. 1;

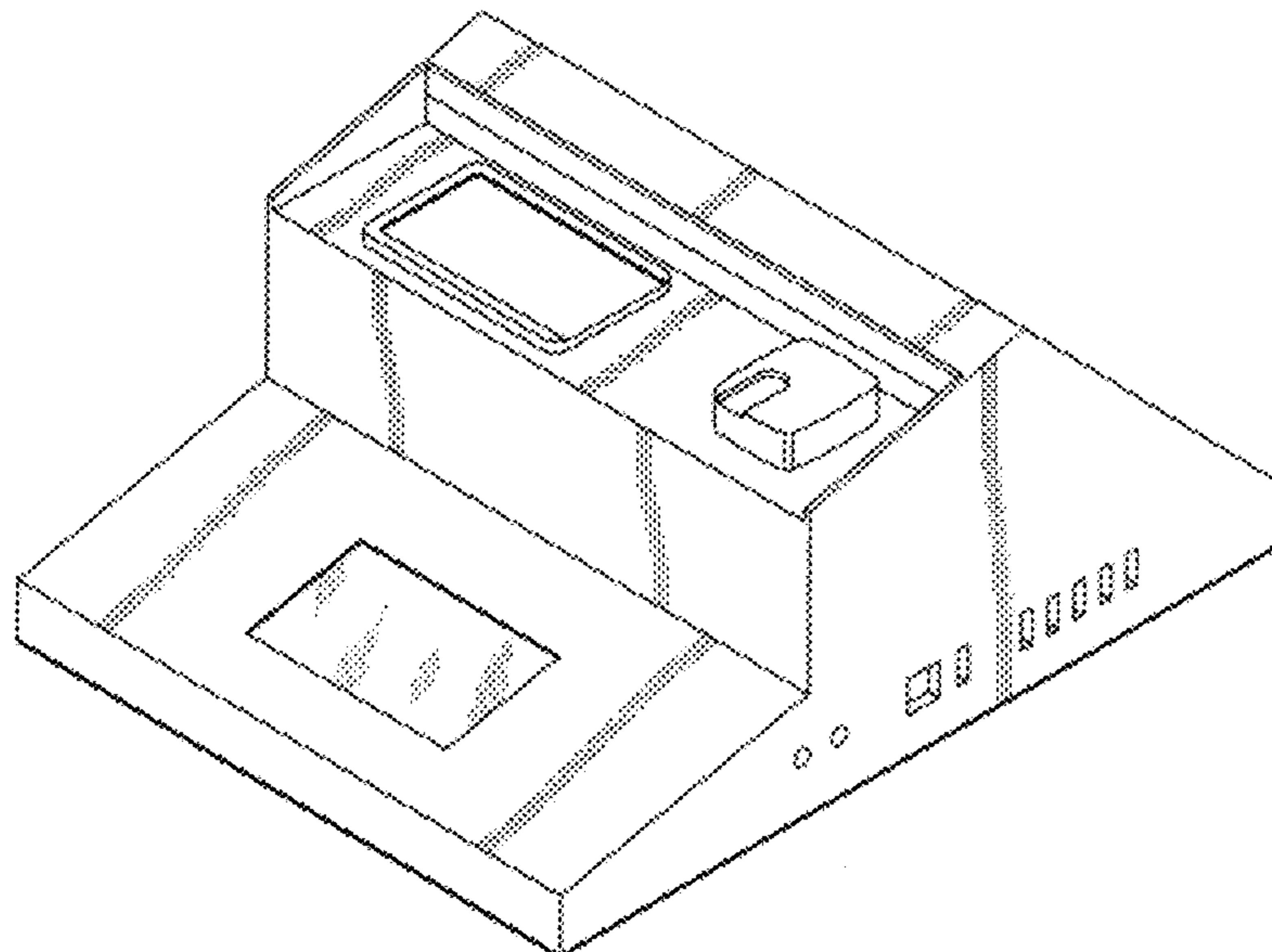
FIG. 5 is a rear view of the data capture console of FIG. 1;

FIG. 6 is a side view, from one side, of the data capture console of FIG. 1; and,

FIG. 7 is a side view, from the other side, of the data capture console of FIG. 1.

The design is for a data capture console. The console includes two opposite data capture terminals, namely a front terminal for use by a client and a rear terminal for use by an operator. The rear terminal comprises an inclined surface with a large rectangular screen occupying a majority of the surface. The front terminal comprises two main surfaces arranged in steps. A front, lower surface of the front terminal is slightly inclined and includes a small rectangular touch-sensitive pad in its center. A rear, higher surface of the front terminal is generally elongate and includes on one side a card reader and on the other side a fingerprint reader. The data capture console finds application in voter registration, by presenting opposite terminals, one to be used by the operator, the other to be used by a voter registrant.

1 Claim, 5 Drawing Sheets



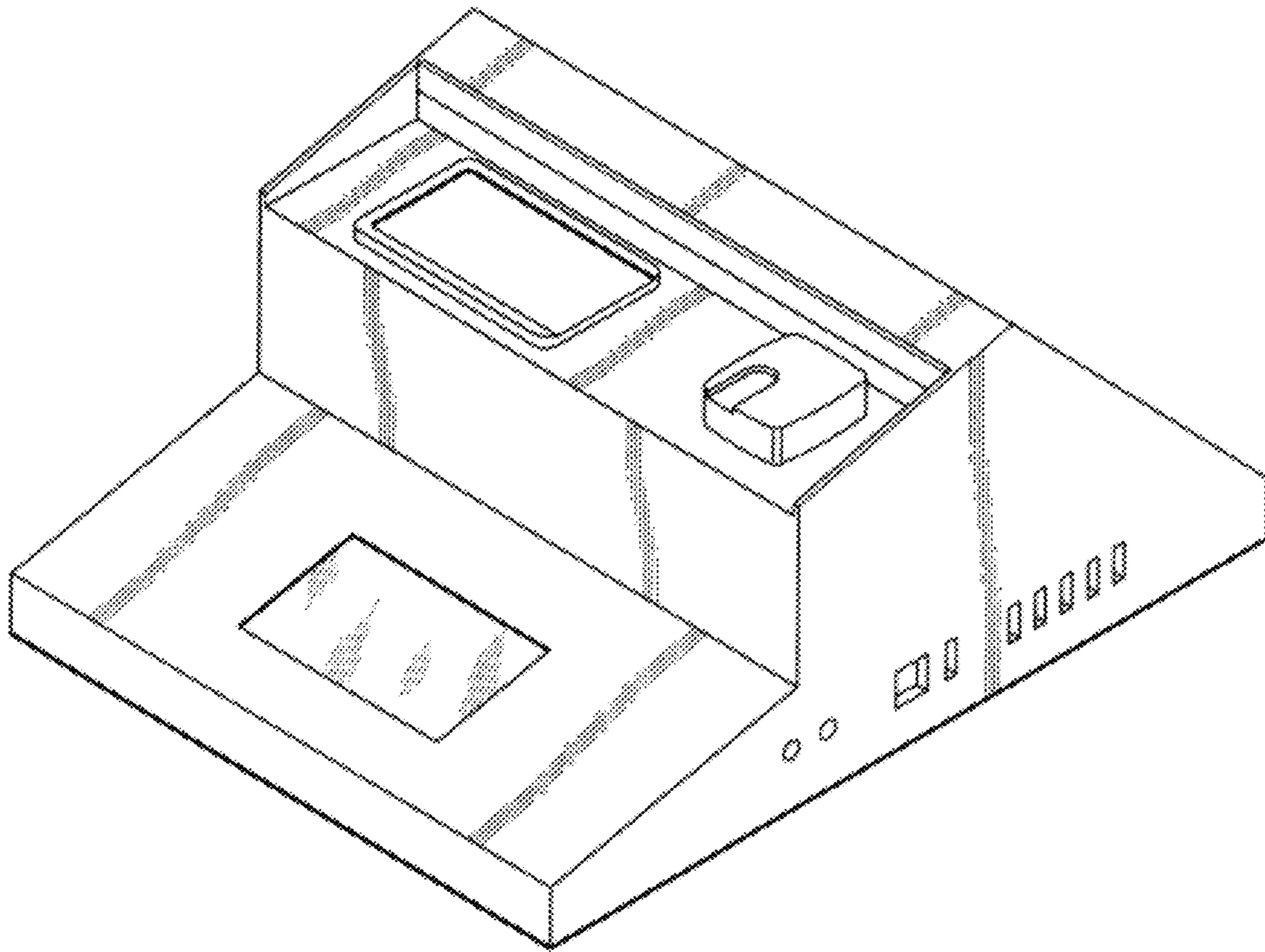


FIG. 1

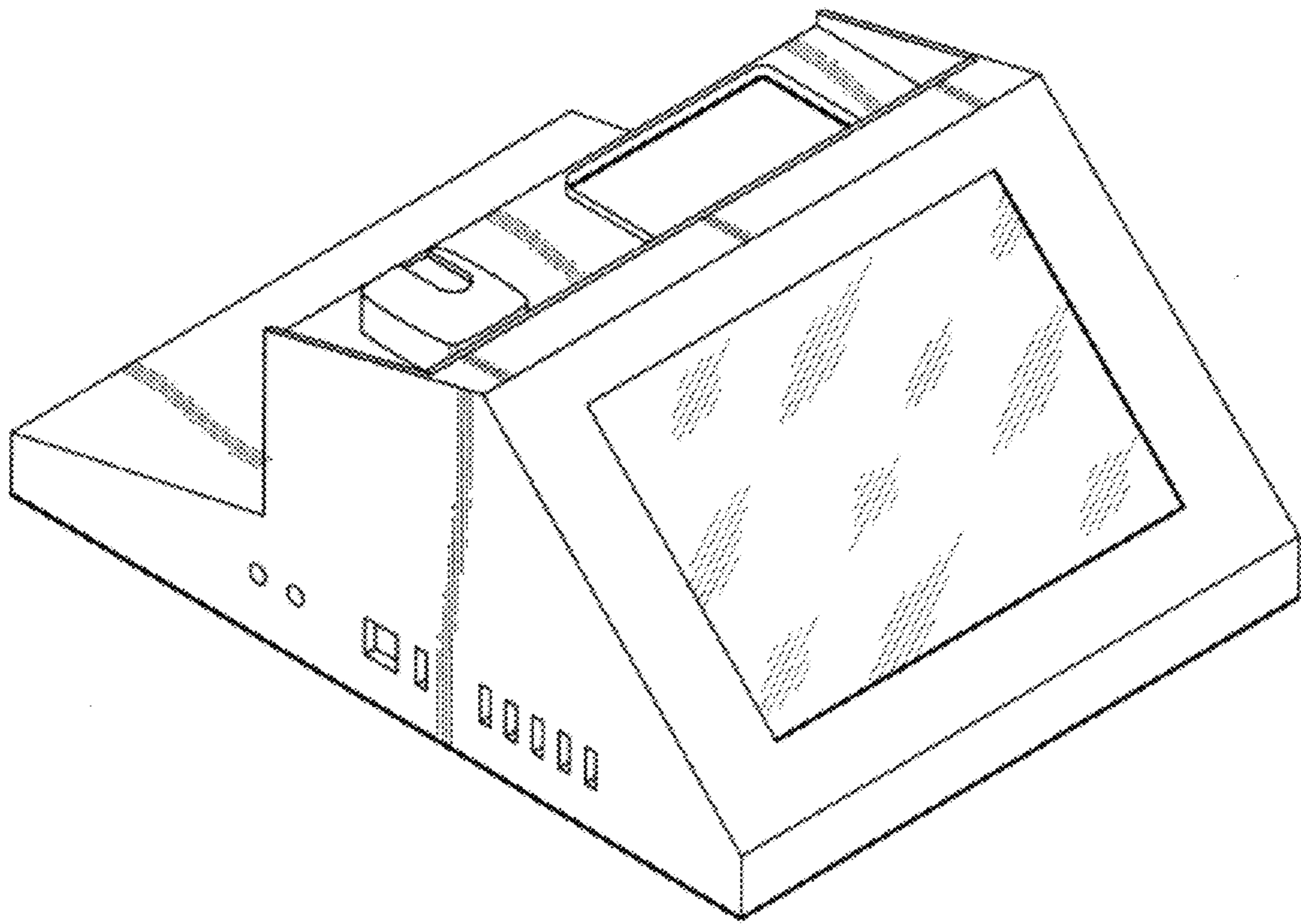


FIG. 2

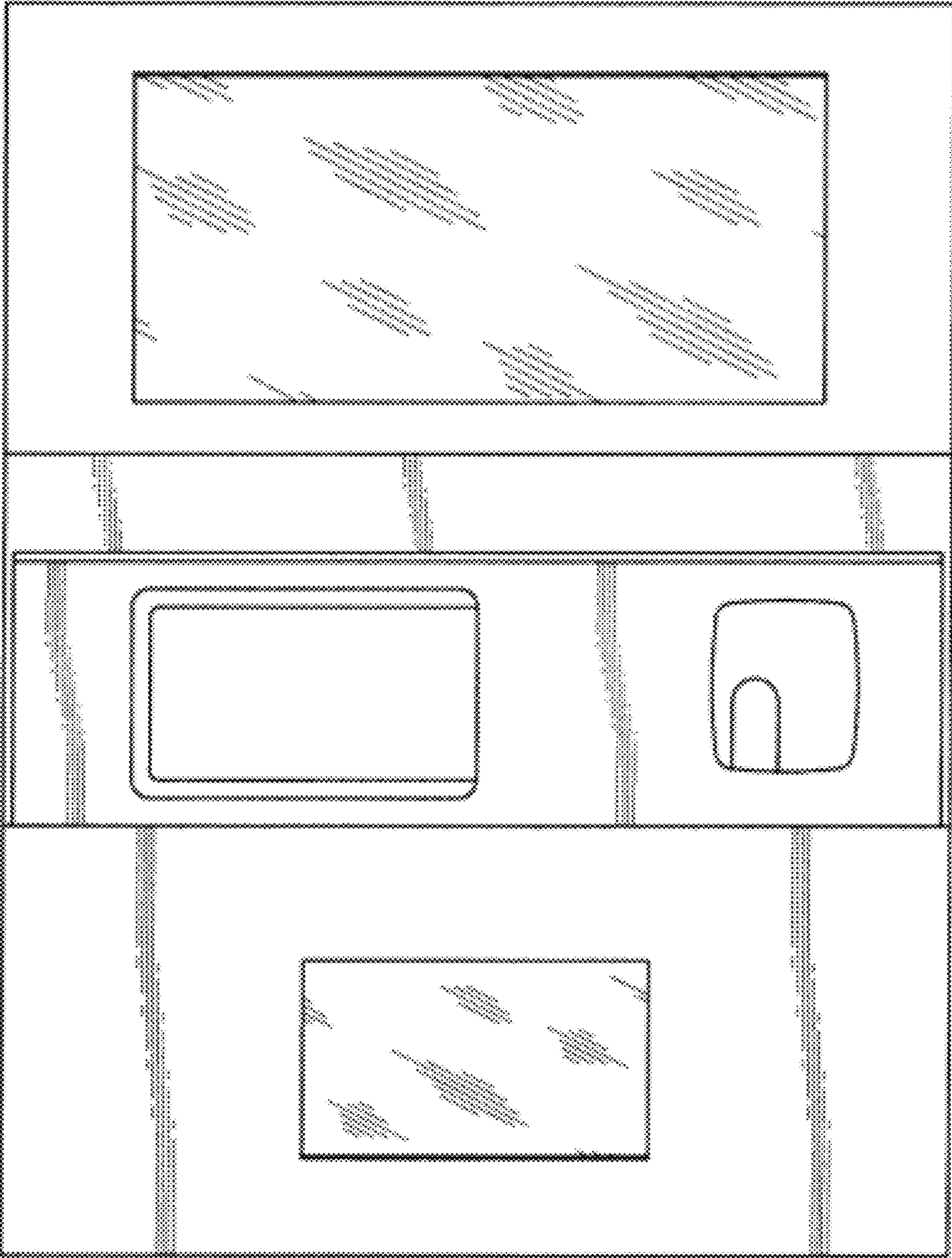


FIG. 3

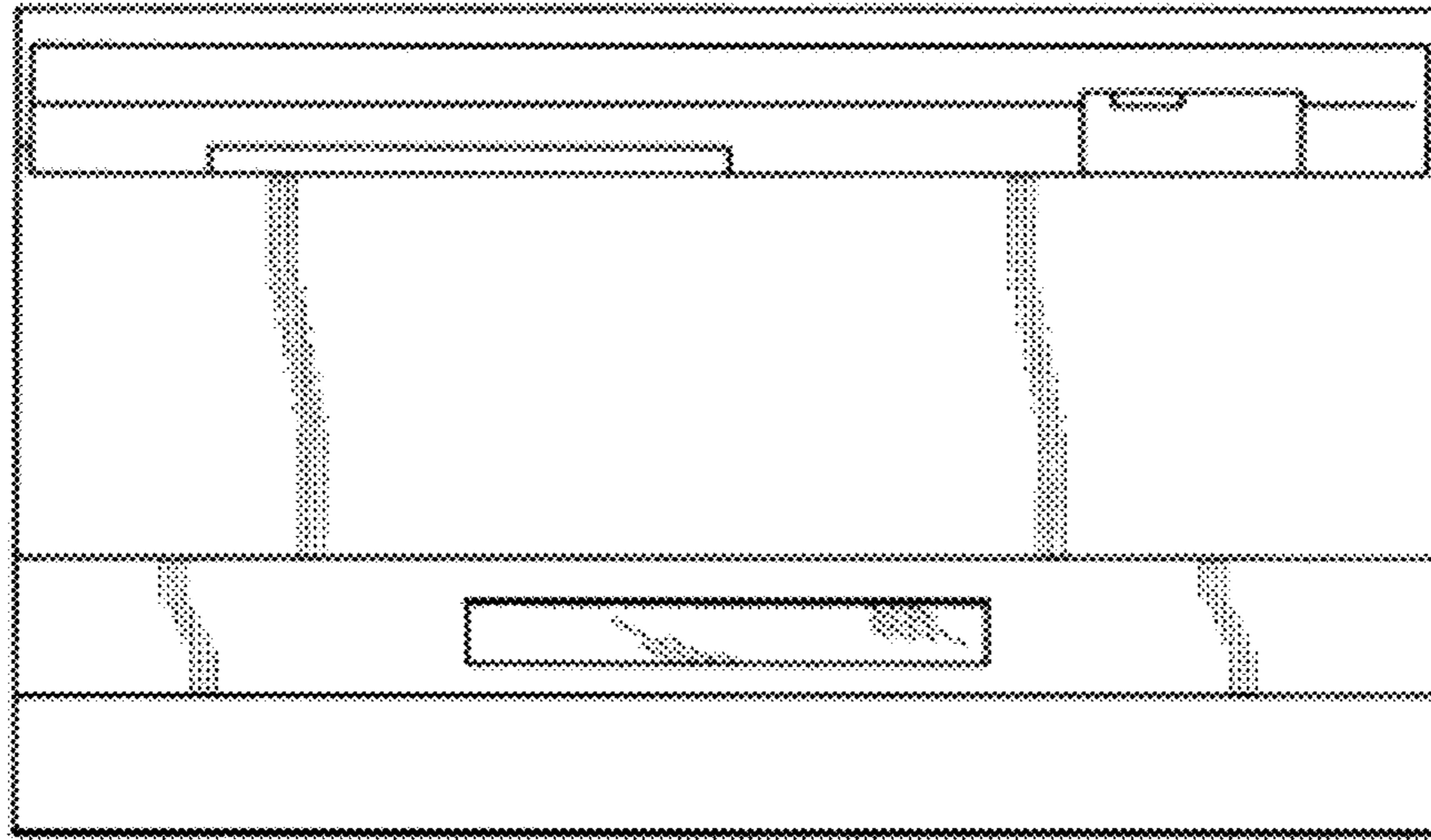


FIG. 4

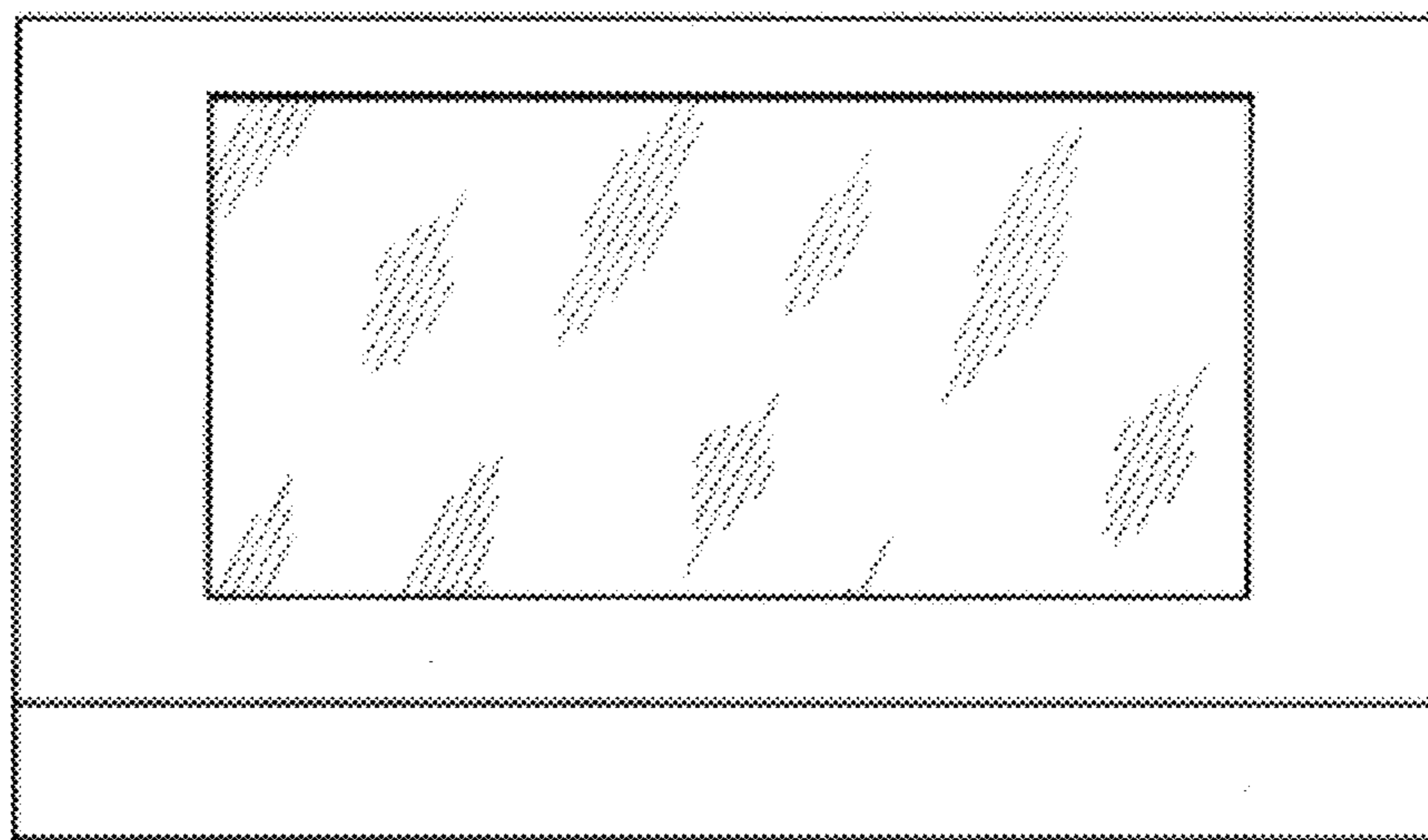


FIG. 5

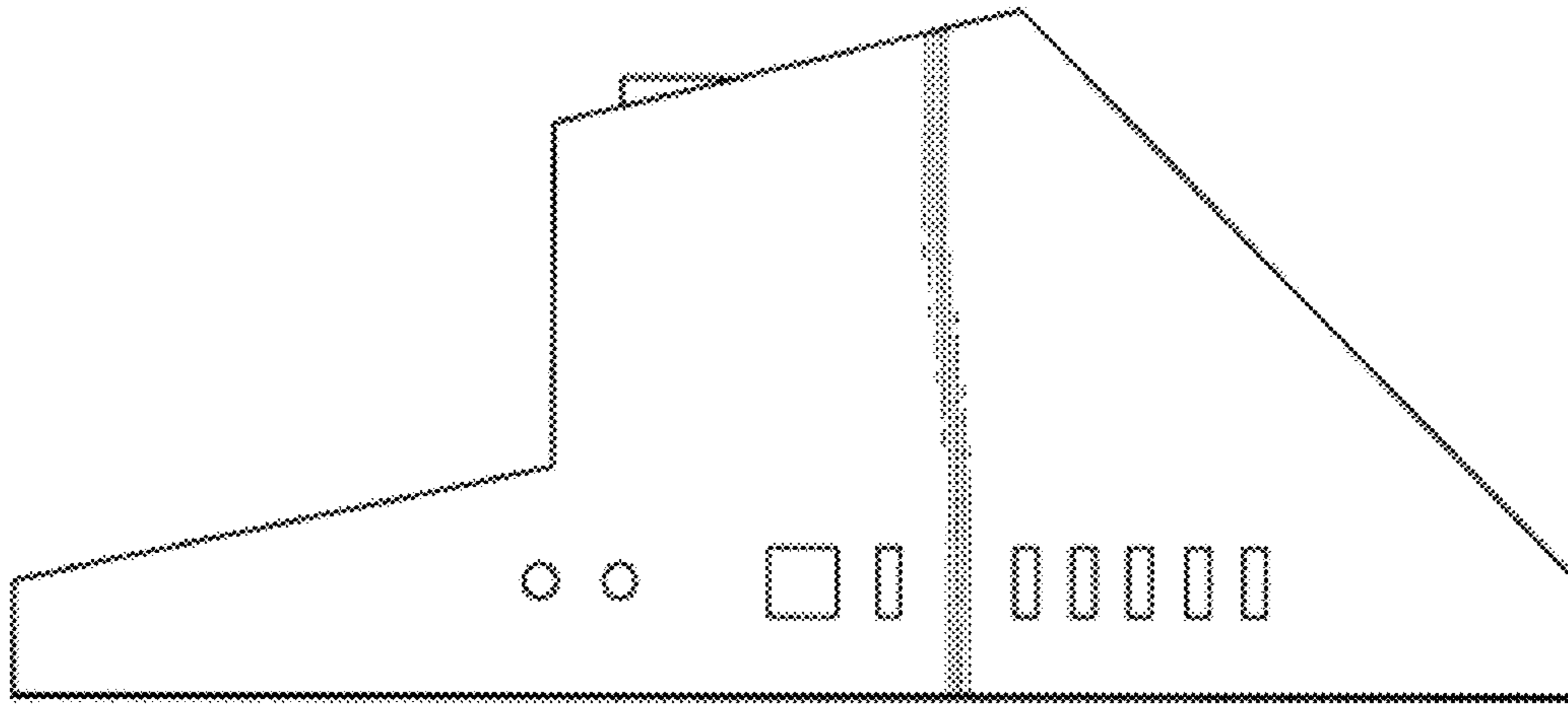


FIG. 6

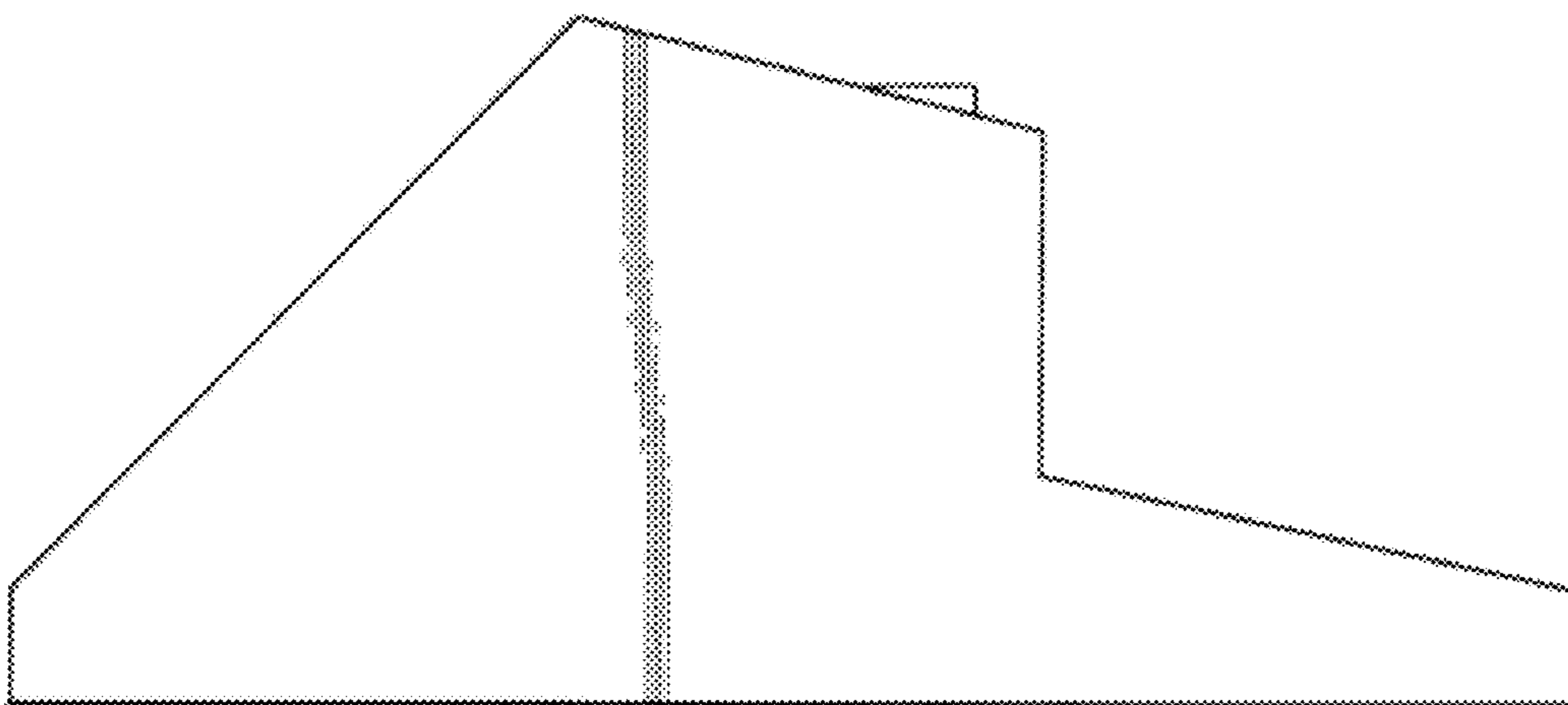


FIG. 7