



US00D668249S

(12) **United States Design Patent**
Kim et al.

(10) **Patent No.:** **US D668,249 S**
(45) **Date of Patent:** **** Oct. 2, 2012**

(54) **TERMINAL FOR PORTABLE MOBILE COMMUNICATION**

(75) Inventors: **Dae-Joung Kim**, Seoul (KR); **Eun-Vit Chung**, Seoul (KR); **Hae-Jin Kim**, Seoul (KR); **Soo-Jung Ham**, Seoul (KR)

(73) Assignee: **Samsung Electronics Co., Ltd.**, Suwon-si (KR)

(**) Term: **14 Years**

(21) Appl. No.: **29/392,806**

(22) Filed: **May 26, 2011**

(30) **Foreign Application Priority Data**

Jan. 6, 2011 (KR) 30-2011-0000553

(51) **LOC (9) Cl.** **14-02**

(52) **U.S. Cl.** **D14/341; D14/138 G**

(58) **Field of Classification Search** D14/341-347, D14/137, 138, 138.1, 138 A, 138 AA, 138 R, D14/138 AB, 138 AC, 138 AD, 138 C, 138 G, D14/496, 203.1, 203.3, 203.4, 203.5, 203.7, D14/426, 427, 432, 429, 129, 130, 420, 439-441, D14/448, 125, 126, 147, 156, 218, 247-248, D14/250, 389, 388, 315-318; D10/65, 104; D18/6-7; D21/324, 329, 330; D19/26, 59, D19/60; 455/556.1, 556.2, 566, 575.1, 90.3; 379/433.04, 433.01, 433.06, 916; 345/169, 345/173, 901, 905; 361/679.26, 679.27, 361/679.3, 679.55, 679.56

See application file for complete search history.

(56) **References Cited**

U.S. PATENT DOCUMENTS

D458,602	S	*	6/2002	Hasegawa et al.	D14/374
D534,182	S	*	12/2006	Leija et al.	D14/496
D534,545	S	*	1/2007	Leija et al.	D14/496
D634,318	S	*	3/2011	Buckle et al.	D14/341
D640,255	S	*	6/2011	Lee et al.	D14/341
D656,497	S	*	3/2012	Chiu	D14/341

* cited by examiner

Primary Examiner — Barbara Fox

(74) *Attorney, Agent, or Firm* — Jefferson IP Law, LLP

(57) **CLAIM**

The ornamental design for terminal for portable mobile communication, as shown and described.

DESCRIPTION

FIG. 1 is a perspective view of a terminal for portable mobile communication, showing the new design. FIG. 2 is a front elevational view thereof; FIG. 3 is a rear elevational view thereof; FIG. 4 is a left side elevational view thereof; FIG. 5 is a right side elevational view thereof; FIG. 6 is a top plan view thereof; and, FIG. 7 is a bottom plan view thereof.

1 Claim, 7 Drawing Sheets

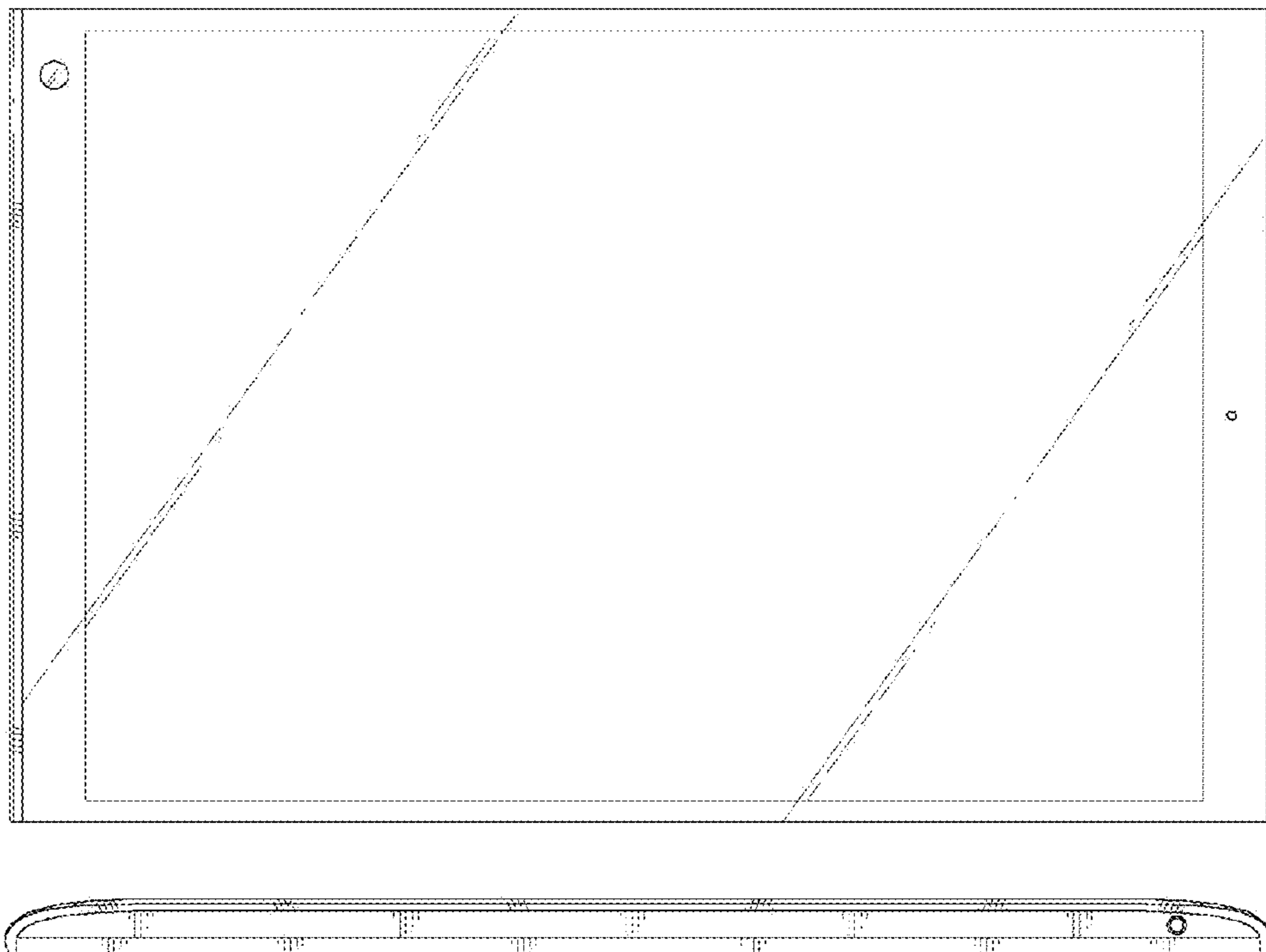


FIG. 1

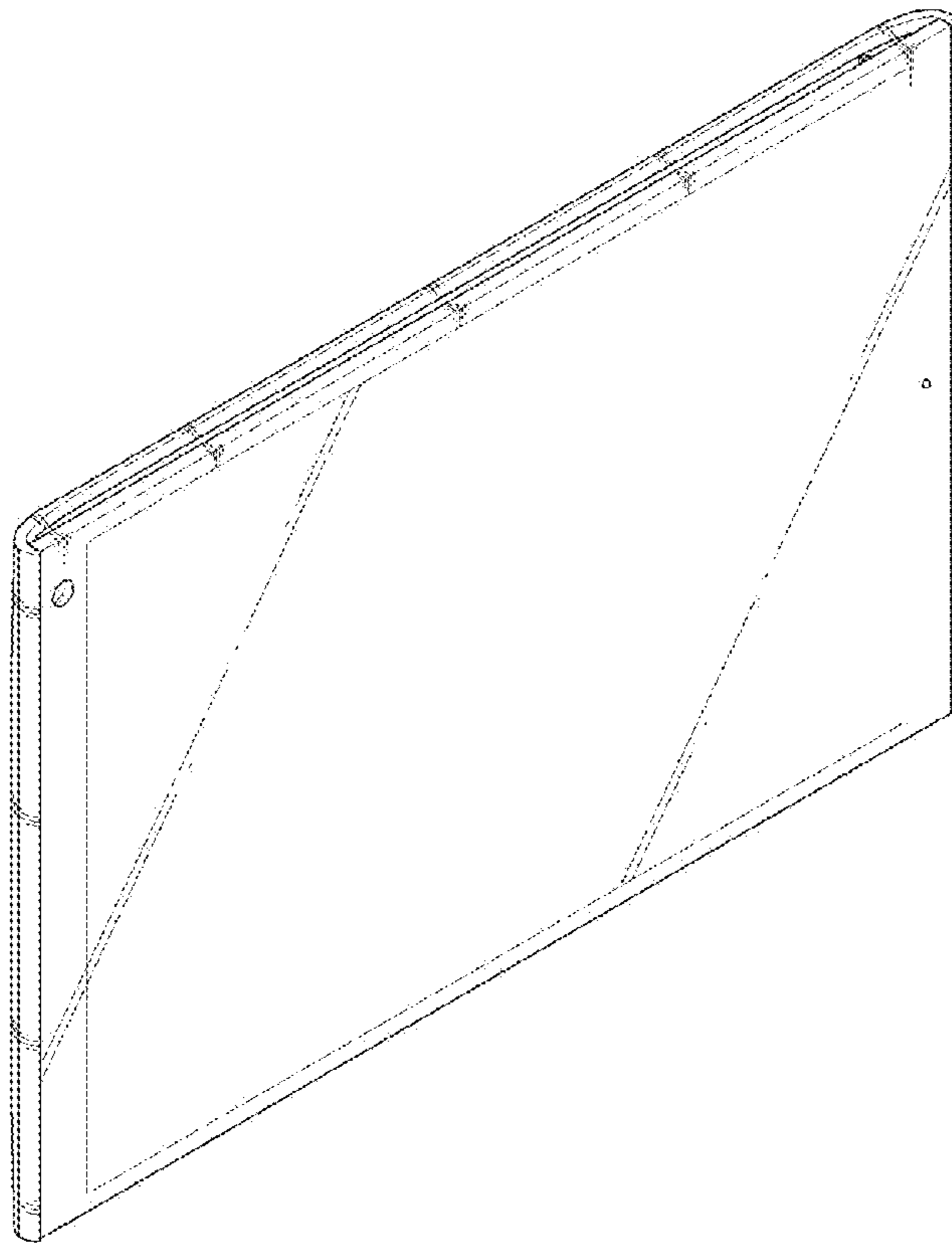


FIG. 2

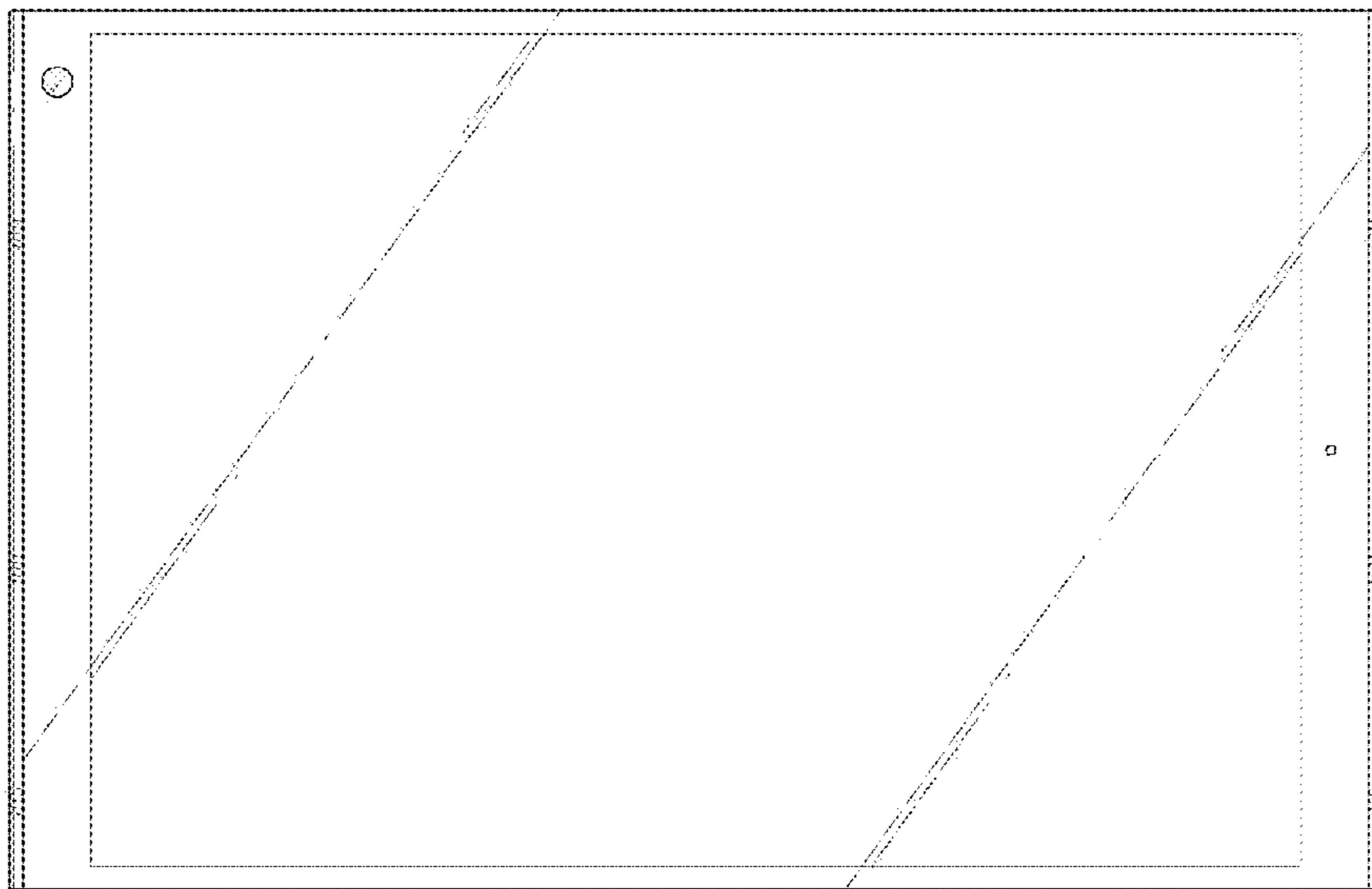


FIG. 3

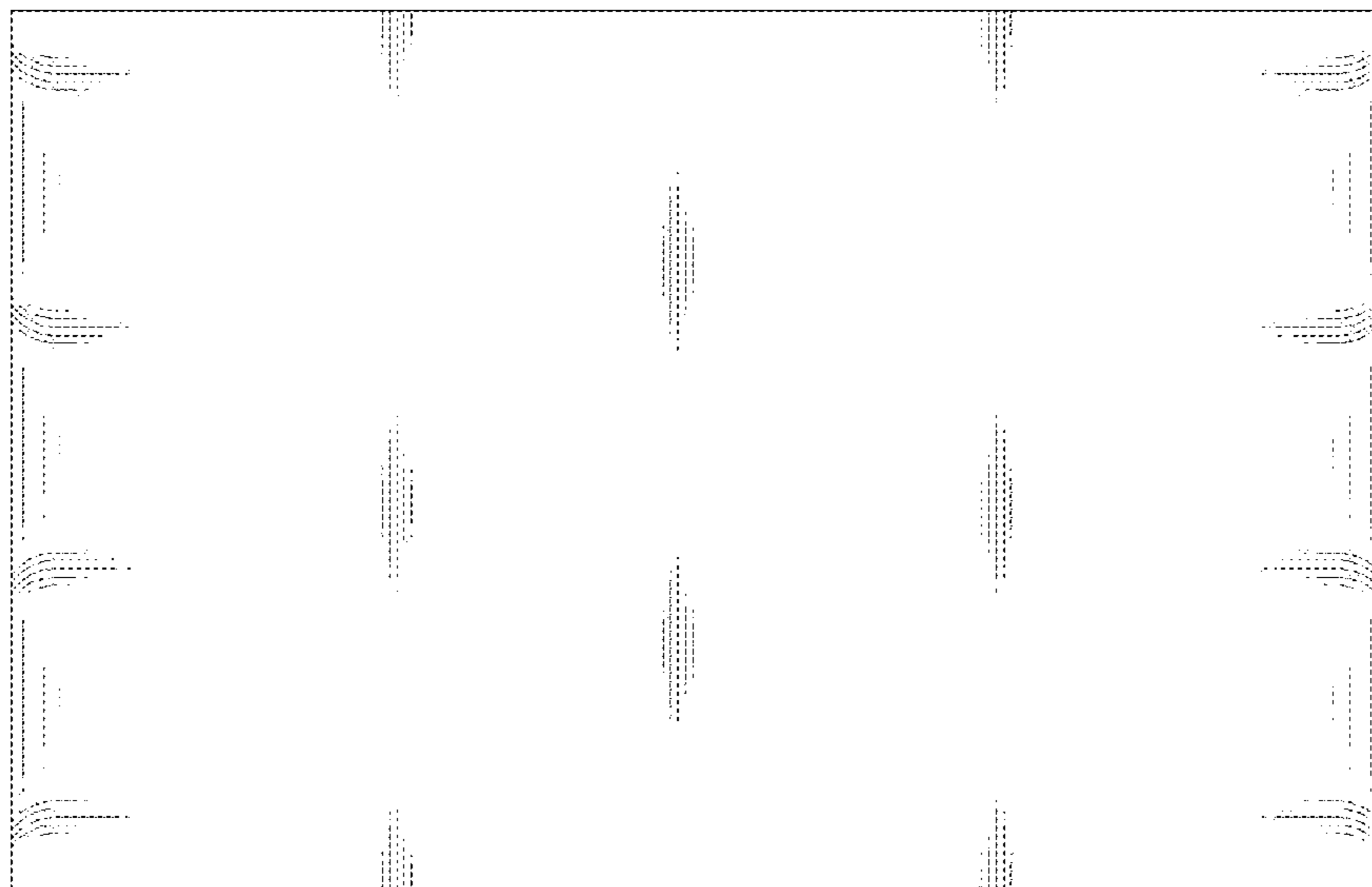


FIG. 4

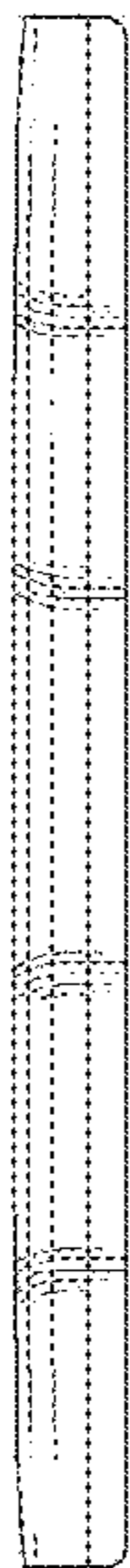


FIG. 5

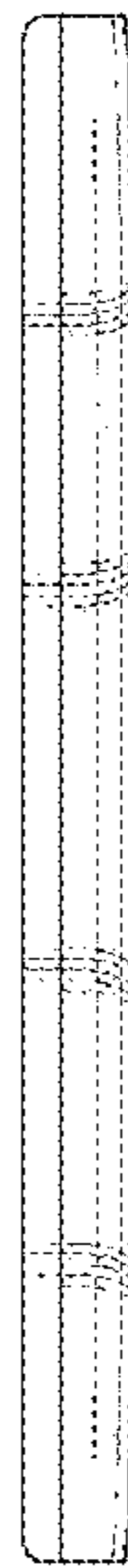


FIG. 6



FIG. 7

