



US00D668247S

(12) **United States Design Patent**
Kim et al.

(10) **Patent No.:** **US D668,247 S**

(45) **Date of Patent:** **** Oct. 2, 2012**

(54) **VEHICLE MOUNT**

(75) Inventors: **Young-Soo Kim**, Seoul (KR);
Gum-Sool Kim, Anyang-Si (KR)

(73) Assignee: **Samsung Electronics Co., Ltd.** (KR)

(**) Term: **14 Years**

(21) Appl. No.: **29/380,665**

(22) Filed: **Dec. 9, 2010**

(30) **Foreign Application Priority Data**

Oct. 29, 2010 (KR) 30-2010-0047036

(51) **LOC (9) Cl.** **14-03**

(52) **U.S. Cl.** **D14/253**

(58) **Field of Classification Search** D14/140,
D14/142, 147-149, 217, 240, 251-253, 432,
D14/434, 447, 452, 454, 496, 144, 451, 457,
D14/238.1, 239, 250, 137; D8/363, 373,
D8/396, 355; D12/415, 418, 422; 248/206.2-206.4,
248/220.21, 279.1, 59, 74.1, 74.2; 379/426,
379/446, 454, 455; D13/107-108; D16/242;
D21/333; 361/679.3; 320/115; 455/572,
455/569.2, 575.9; D3/218, 201; D6/466;
D10/74; 439/529

See application file for complete search history.

(56) **References Cited**

U.S. PATENT DOCUMENTS

D417,224 S	*	11/1999	Kfoury	D14/253
D452,496 S	*	12/2001	Murnaghan et al.	D14/242
D454,340 S	*	3/2002	Grimm	D14/240
D469,438 S	*	1/2003	Corrales	D14/432
D486,785 S	*	2/2004	Shindo	D13/107
D565,290 S	*	4/2008	Brandenburg et al.	D3/218
D577,358 S	*	9/2008	Kettula et al.	D14/253
D584,732 S	*	1/2009	Cho et al.	D14/434
D587,695 S	*	3/2009	Leng et al.	D14/240
D606,065 S	*	12/2009	Rihu	D14/253
D620,931 S	*	8/2010	Opman	D14/250

D625,303 S	*	10/2010	Kim	D14/250
D627,771 S	*	11/2010	Smith et al.	D14/253
D629,193 S	*	12/2010	Liu	D3/218
7,859,222 B2	*	12/2010	Woud	320/115
D634,315 S	*	3/2011	Nousiainen	D14/253
D640,679 S	*	6/2011	Willes et al.	D14/250

(Continued)

FOREIGN PATENT DOCUMENTS

WO	DM/058570	*	11/2001
WO	DM/067974	*	4/2006

OTHER PUBLICATIONS

Review of Samsung Galaxy Tab Vehicle Mount, uploaded on Mar. 31, 2011, <URL:http://www.youtube.com/watch?v=Q424R-Ols_Q>, retrieved from internet Jan. 19, 2012.*

(Continued)

Primary Examiner — Carla Wright

(74) *Attorney, Agent, or Firm* — NSIP Law

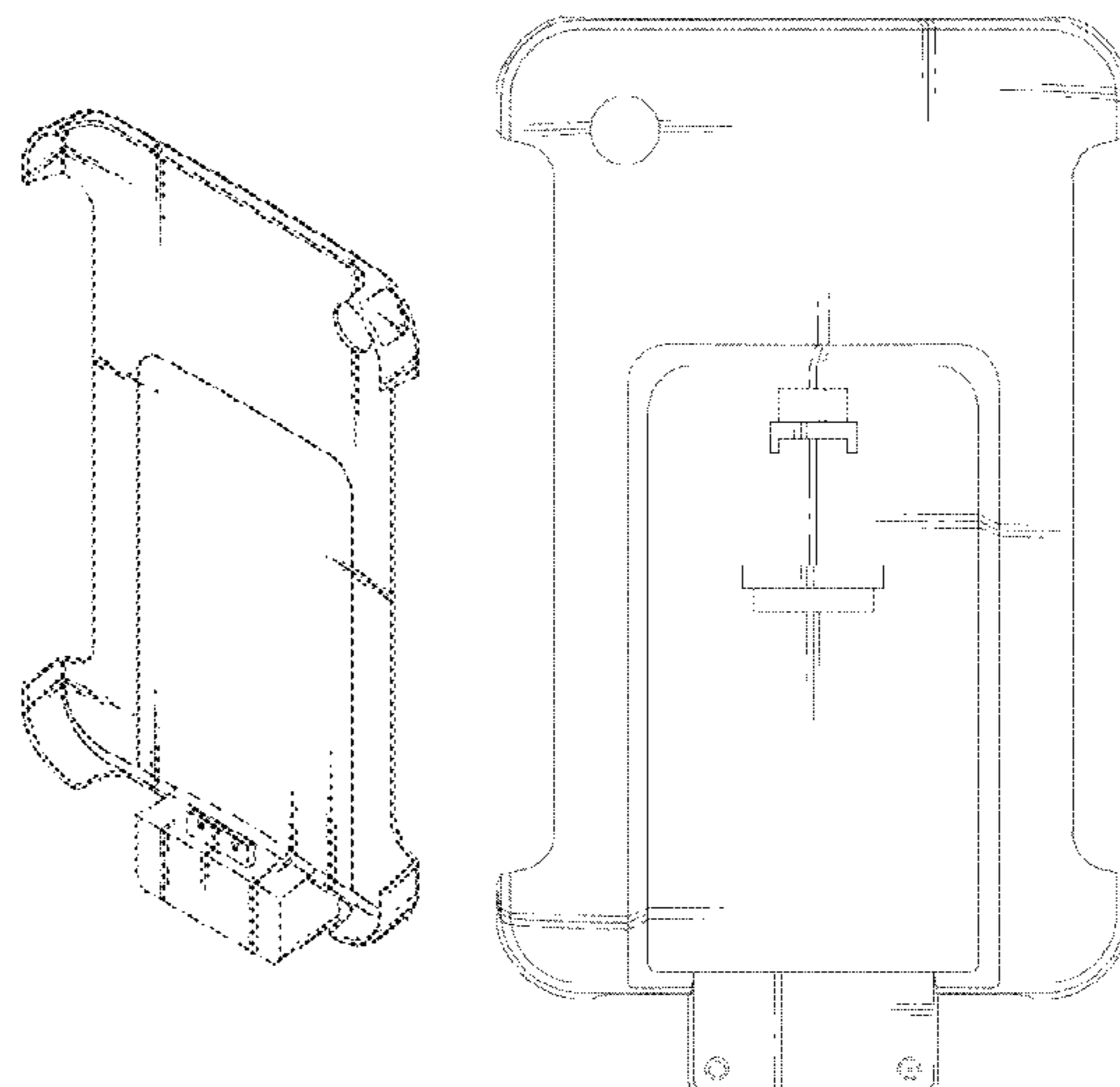
(57) **CLAIM**

The ornamental design for a vehicle mount, as shown and described.

DESCRIPTION

FIG. 1 is a perspective view of a vehicle mount;
FIG. 2 is a front view of the vehicle mount of FIG. 1;
FIG. 3 is a rear view of the vehicle mount of FIG. 1;
FIG. 4 is a left-side view of the vehicle mount of FIG. 1;
FIG. 5 is a right-side view of the vehicle mount of FIG. 1;
FIG. 6 is a top plan view of the vehicle mount of FIG. 1;
FIG. 7 is a bottom plan view of the vehicle mount of FIG. 1;
and,
FIG. 8 is a perspective view of the vehicle mount of FIG. 1, shown with an unclaimed mobile device.
The broken lines in FIG. 3 depict portions of the vehicle mount that form no part of the claimed design. The broken lines in FIG. 8 depict a mobile device that forms no part of the claimed design.

1 Claim, 6 Drawing Sheets



US D668,247 S

Page 2

U.S. PATENT DOCUMENTS

D644,428 S * 9/2011 Feng D3/218
D645,033 S * 9/2011 Quong et al. D14/253
D645,462 S * 9/2011 Choi D14/253
D646,315 S * 10/2011 Orf D16/242
2011/0019992 A1* 1/2011 Orf 396/419

OTHER PUBLICATIONS

Samsung Galaxy Tab Vehicle Mount, earliest customer review Jan. 27, 2011, <URL:[hicle-Mount-ECS-V980BEGSTA/dp/B004E9SN4S>, retrieved from internet Jan. 19, 2012.*](http://www.amazon.com/Samsung-Galaxy-Ve-</p></div><div data-bbox=)

Duogreen Windshield Dashboard Car Mount Holder, <URL:<http://sheratonsurabaya.com/duogreen-windshield-dashboard-car-mount-holder-for-iphone-4s-4-3gs-samsung-galaxy-s2-epic-touch-4g-htc-evo-4g-rhyme-droid-razr-bionic-incredible-2-charge-google-nexus-blackberry-torch-lg-revolution-gps-compact-size-360-degree-rotatable/>>, retrieved internet Jan. 19, 2012.*

* cited by examiner

FIG. 1

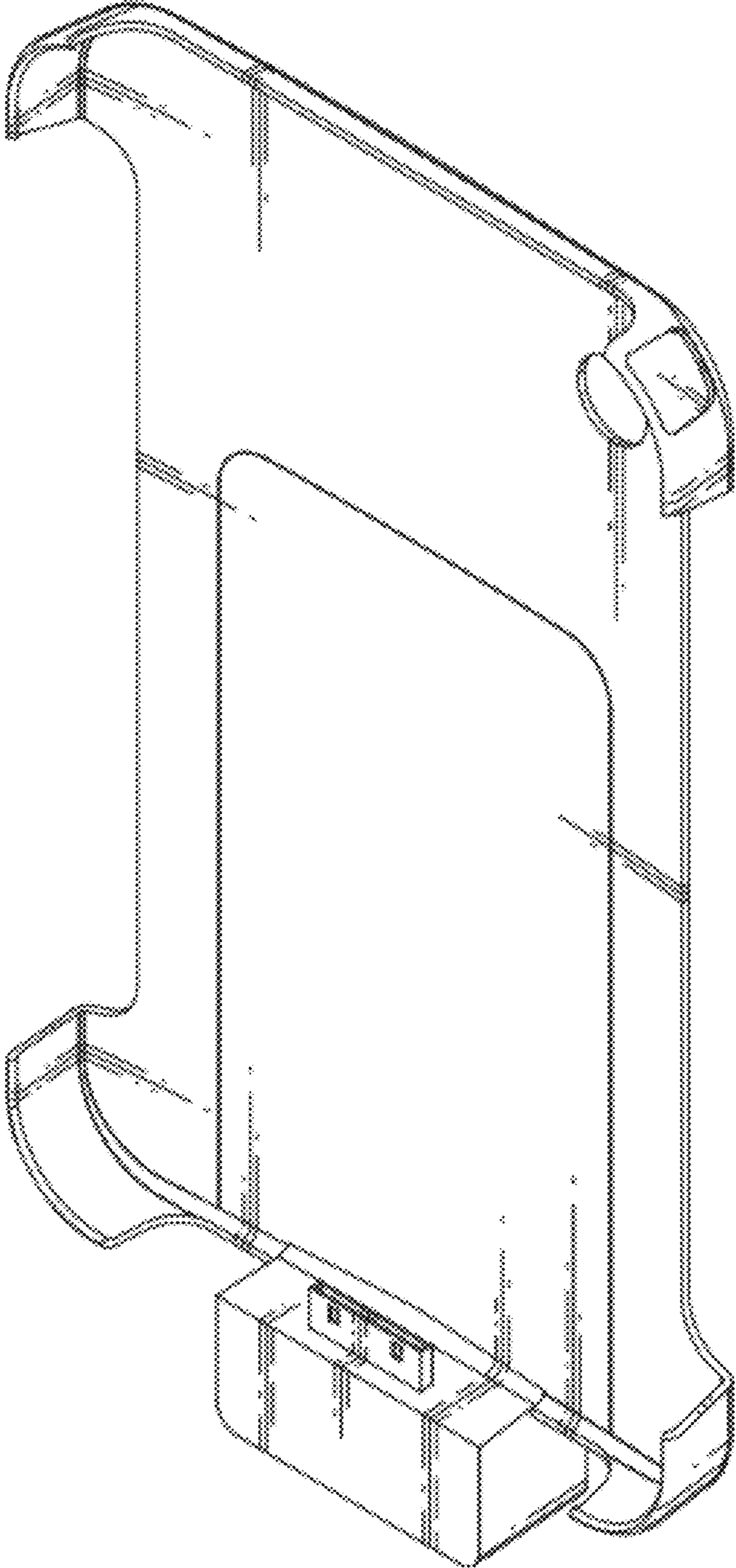


FIG. 2

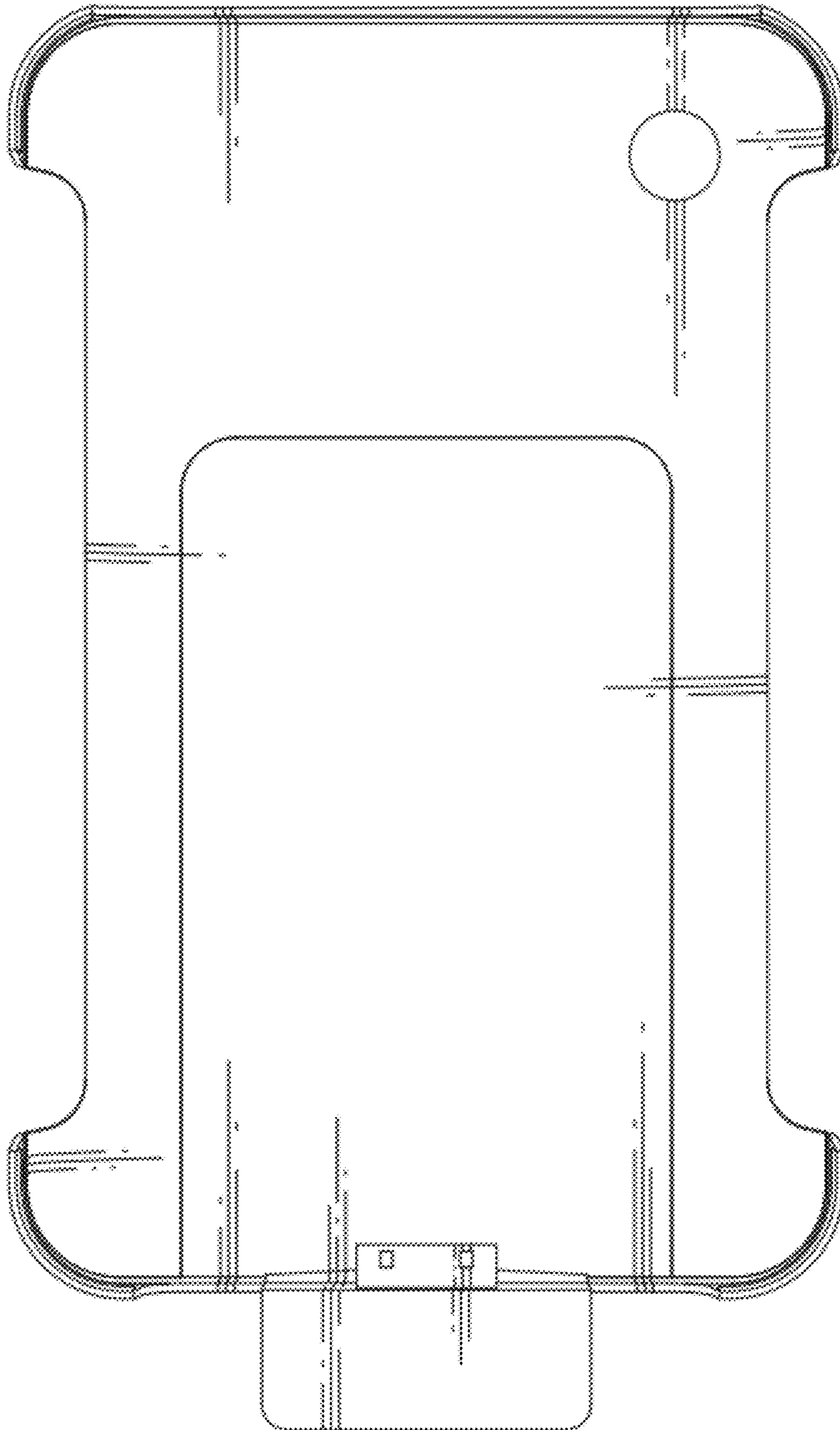


FIG. 3

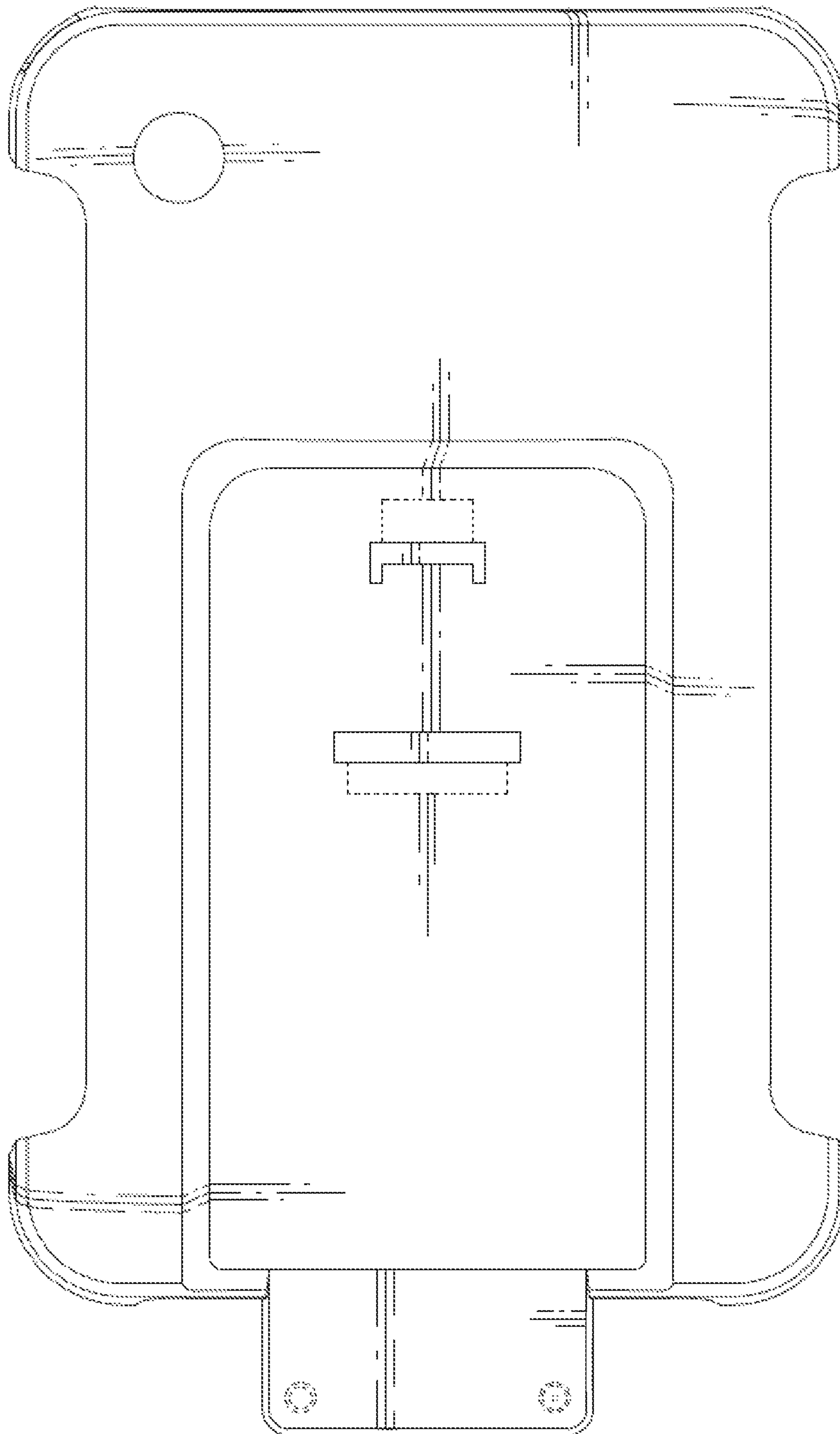


FIG. 4

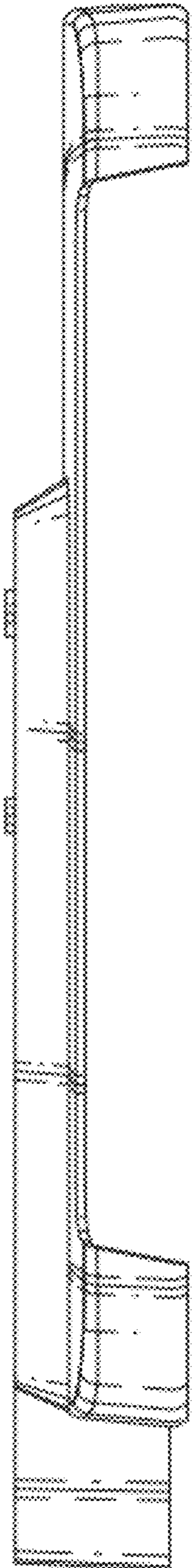


FIG. 5

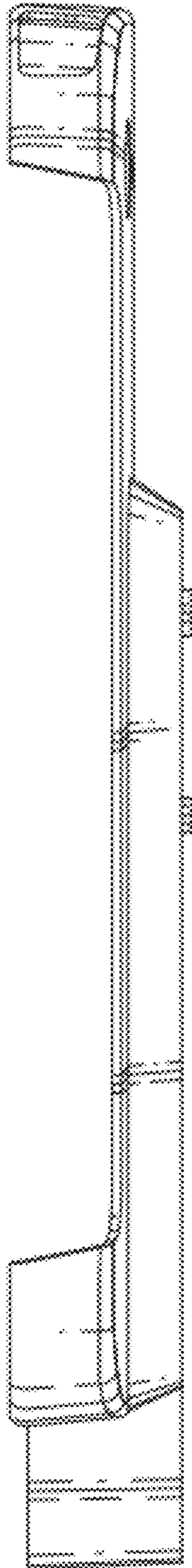


FIG. 6

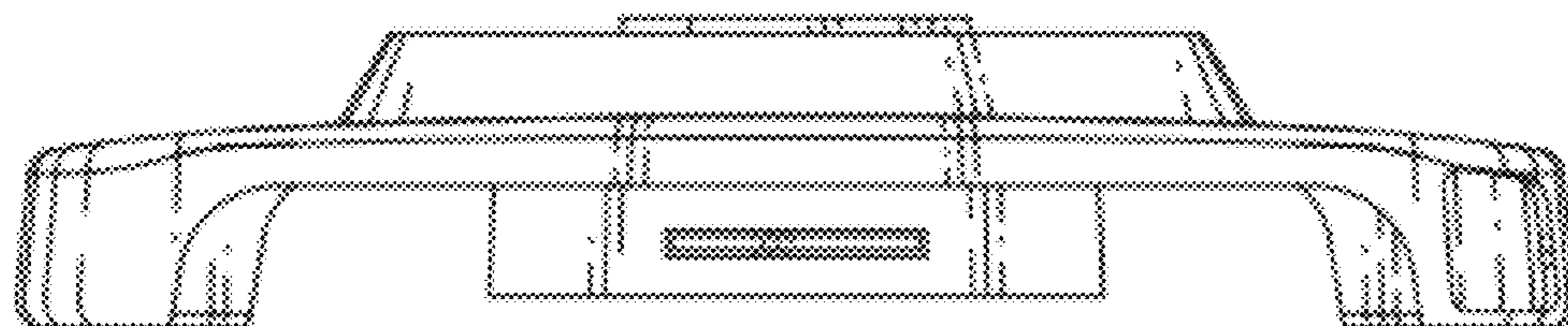


FIG. 7

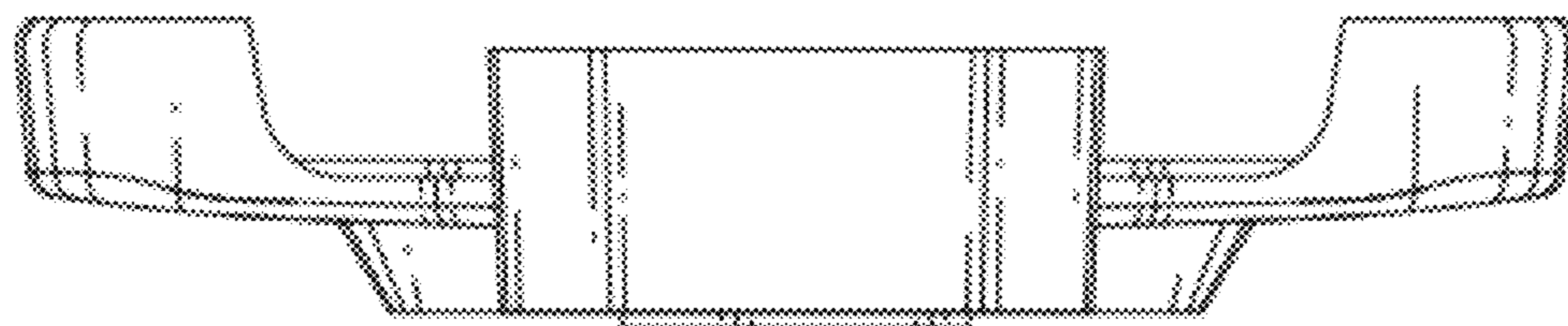


FIG. 8

