

US00D668244S

(12) **United States Design Patent**  
**Matsumura**

(10) **Patent No.:** **US D668,244 S**  
(45) **Date of Patent:** **\*\* Oct. 2, 2012**

(54) **HEADPHONE**

(75) Inventor: **Takashi Matsumura**, Tokyo (JP)

(73) Assignee: **Foster Electric Company, Ltd**, Tokyo (JP)

(\*\*) Term: **14 Years**

(21) Appl. No.: **29/373,972**

(22) Filed: **Jun. 16, 2011**

(51) **LOC (9) Cl.** ..... **14-01**

(52) **U.S. Cl.** ..... **D14/223**

(58) **Field of Classification Search** ..... D14/205,  
D14/206, 223; 181/129, 130; 379/430, 431;  
381/370, 371, 380, 381, 374, 384, 376, 377,  
381/378; D29/112; 2/209; 455/90.3, 575.1;  
128/866, 867; D24/174

See application file for complete search history.

(56) **References Cited**

**U.S. PATENT DOCUMENTS**

3,440,365	A *	4/1969	Hazell et al.	.....	379/430
D367,113	S *	2/1996	Weeks	.....	D24/174
6,386,314	B1 *	5/2002	Sheehan et al.	.....	181/129
D531,169	S *	10/2006	Tokioka et al.	.....	D14/223
D566,099	S *	4/2008	Komiyama	.....	D14/206
D593,537	S *	6/2009	Arimoto	.....	D14/205

D597,084	S *	7/2009	Gondo	.....	D14/223
D618,211	S *	6/2010	Oguro et al.	.....	D14/205
D623,630	S *	9/2010	Ohuri et al.	.....	D14/223
D626,117	S *	10/2010	Lowry	.....	D14/223
D631,470	S *	1/2011	Yoneyama et al.	.....	D14/223
D632,677	S *	2/2011	Brown et al.	.....	D14/223
D635,558	S *	4/2011	Zheng	.....	D14/223
D637,998	S *	5/2011	Brunner et al.	.....	D14/205
D641,010	S *	7/2011	Kwon	.....	D14/223
D641,011	S *	7/2011	Gondo	.....	D14/223
D643,414	S *	8/2011	Lee et al.	.....	D14/223
D652,817	S *	1/2012	Lee et al.	.....	D14/205

\* cited by examiner

*Primary Examiner* — Paula Greene

(74) *Attorney, Agent, or Firm* — Lynn & Lynn; John H Lynn

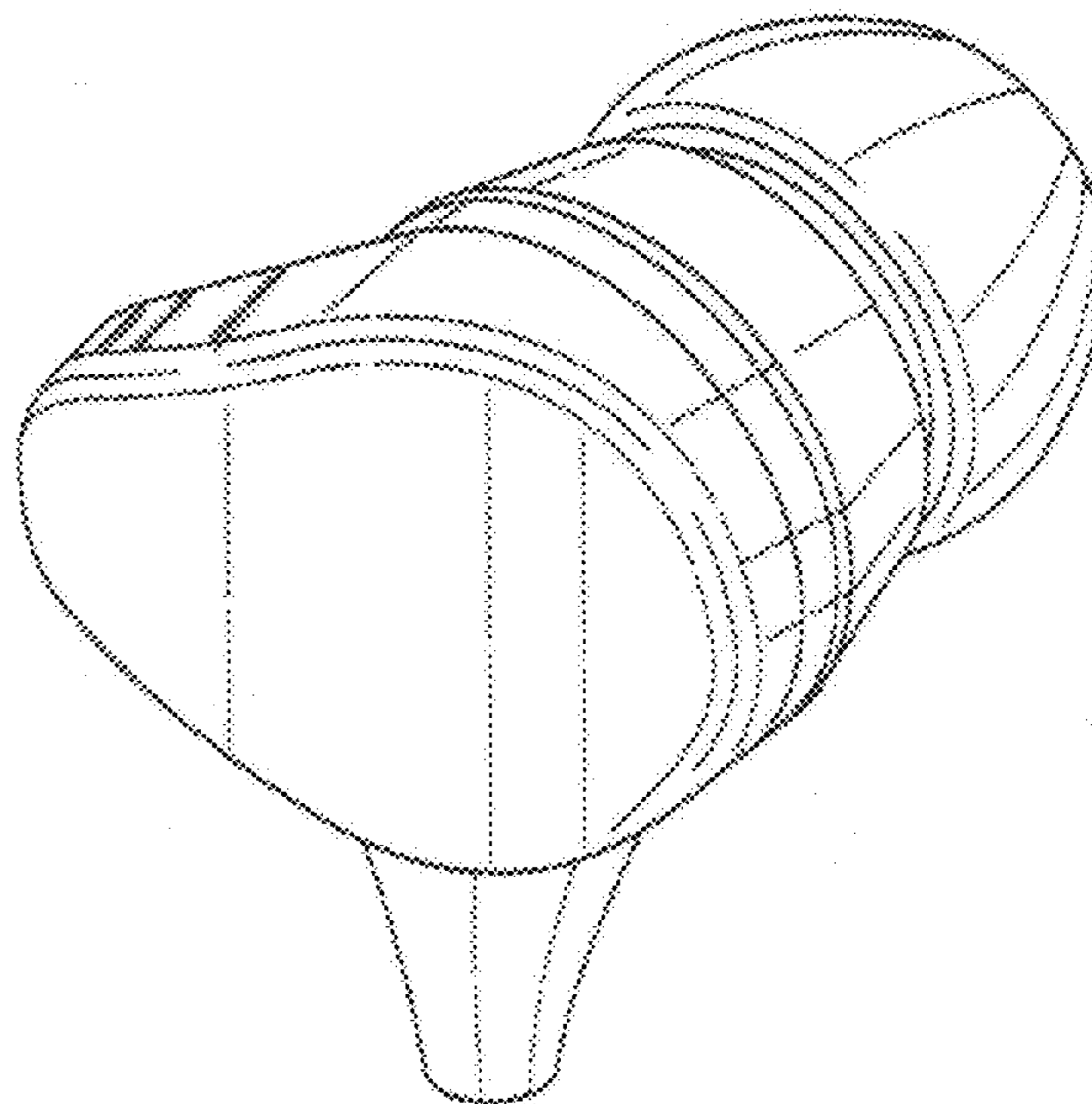
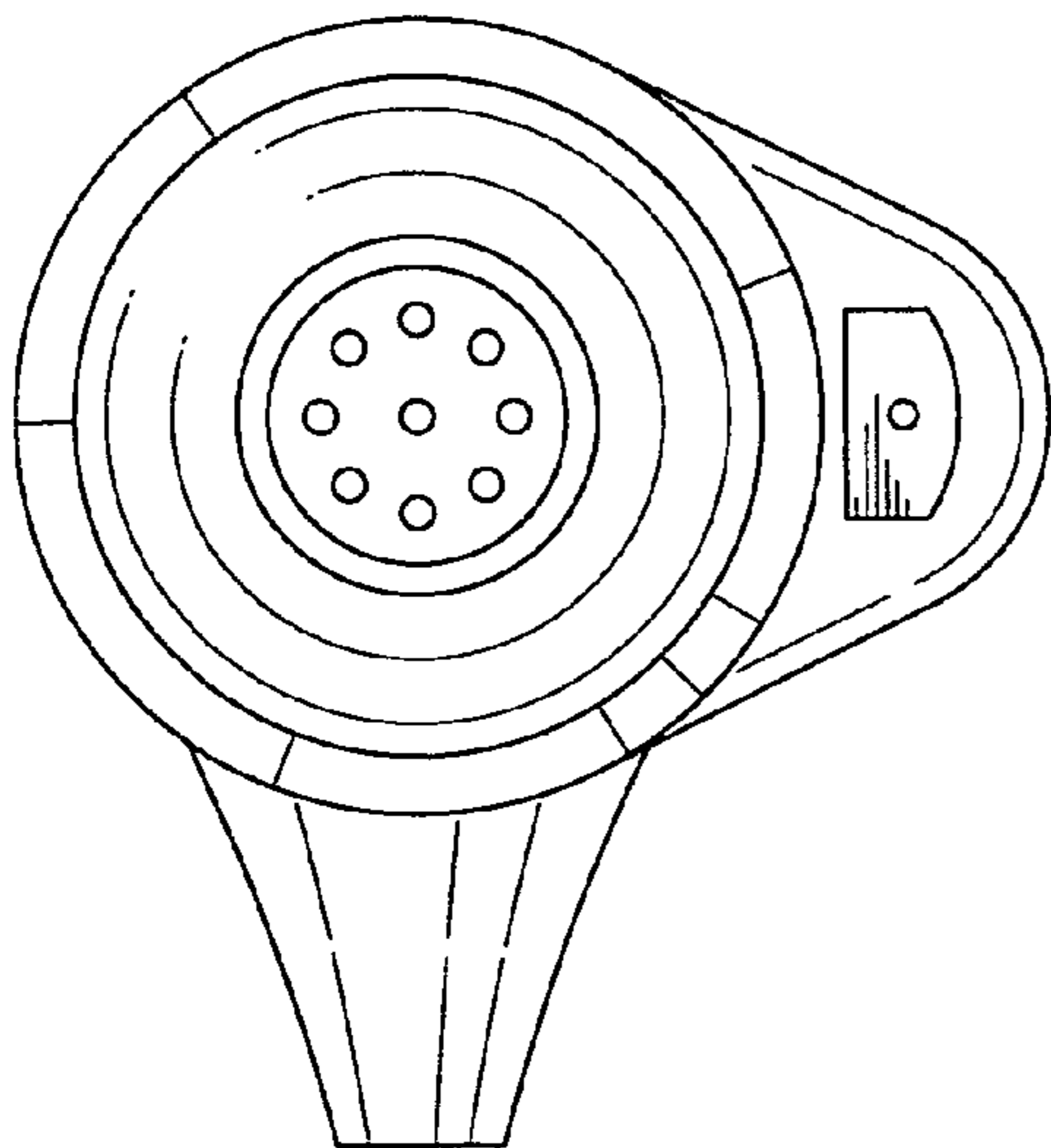
(57) **CLAIM**

I claim the ornamental design for a headphone, as shown and described.

**DESCRIPTION**

FIG. 1 is a front elevation view showing my new design  
FIG. 2 is a rear elevation view thereof;  
FIG. 3 is a top plan view thereof;  
FIG. 4 is a bottom plan view thereof;  
FIG. 5 is a right side elevation view thereof;  
FIG. 6 is a left side elevation view thereof; and,  
FIG. 7 is a perspective view showing the top, front and right sides thereof.

**1 Claim, 4 Drawing Sheets**



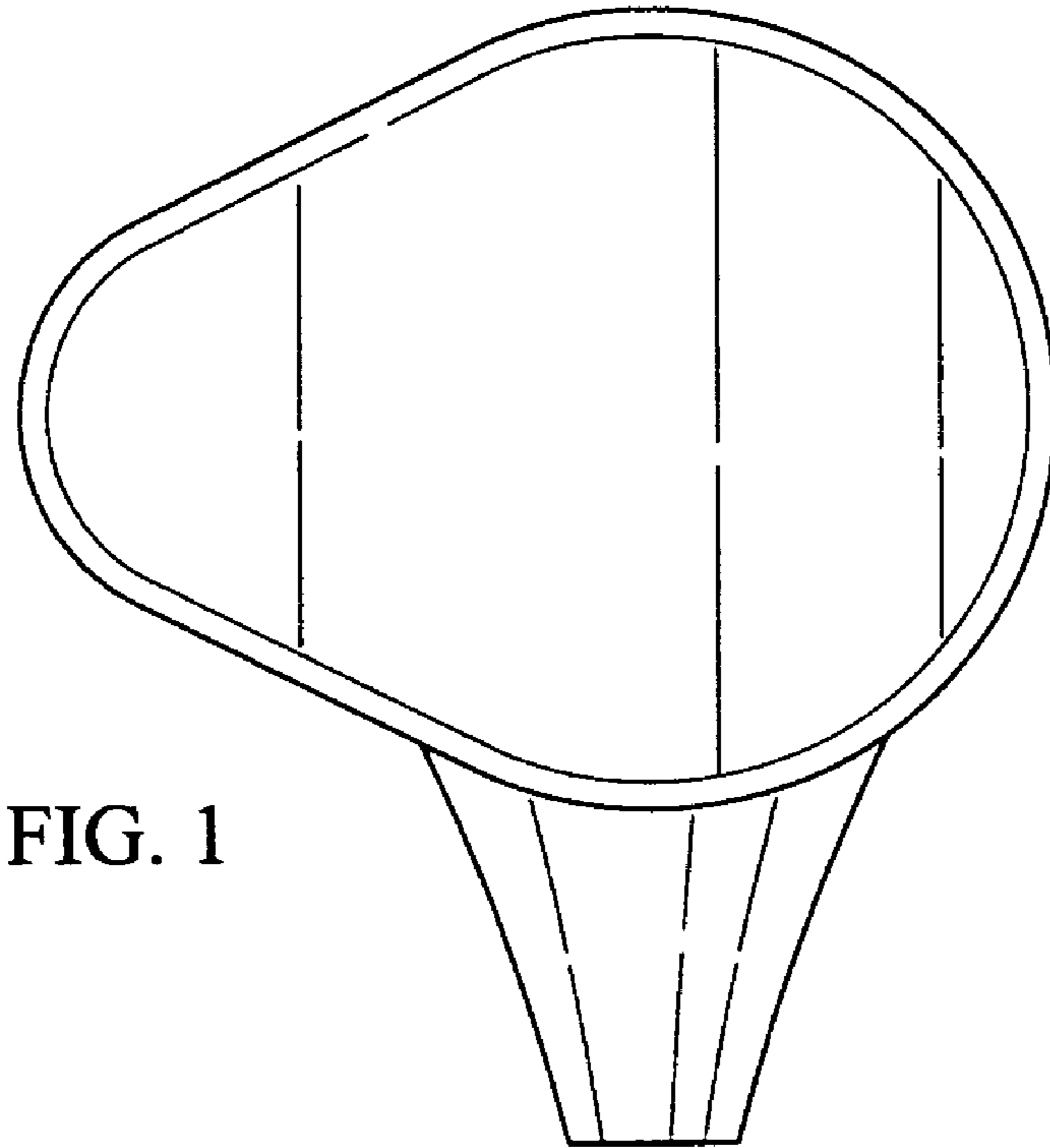


FIG. 1

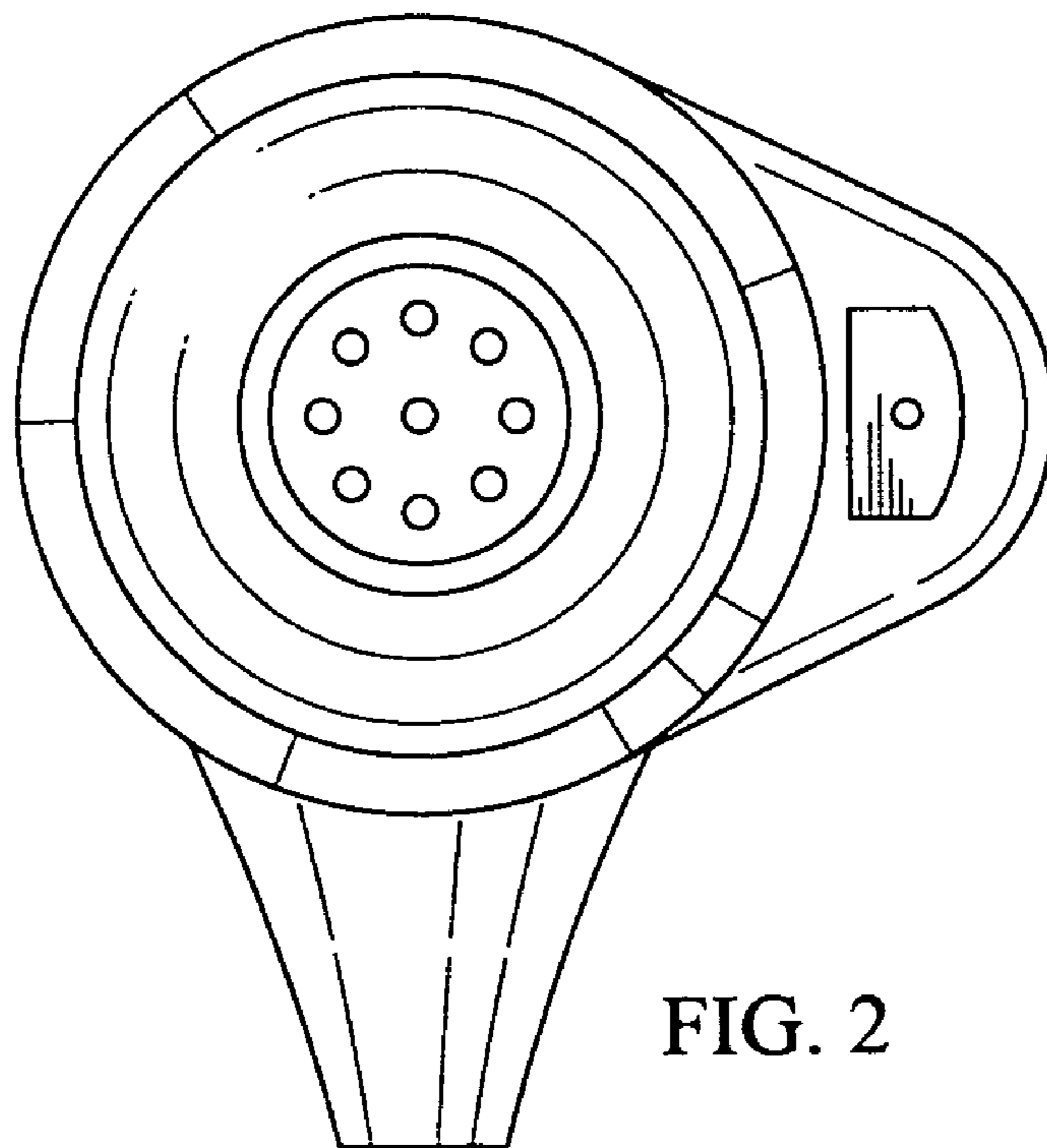


FIG. 2

FIG. 3

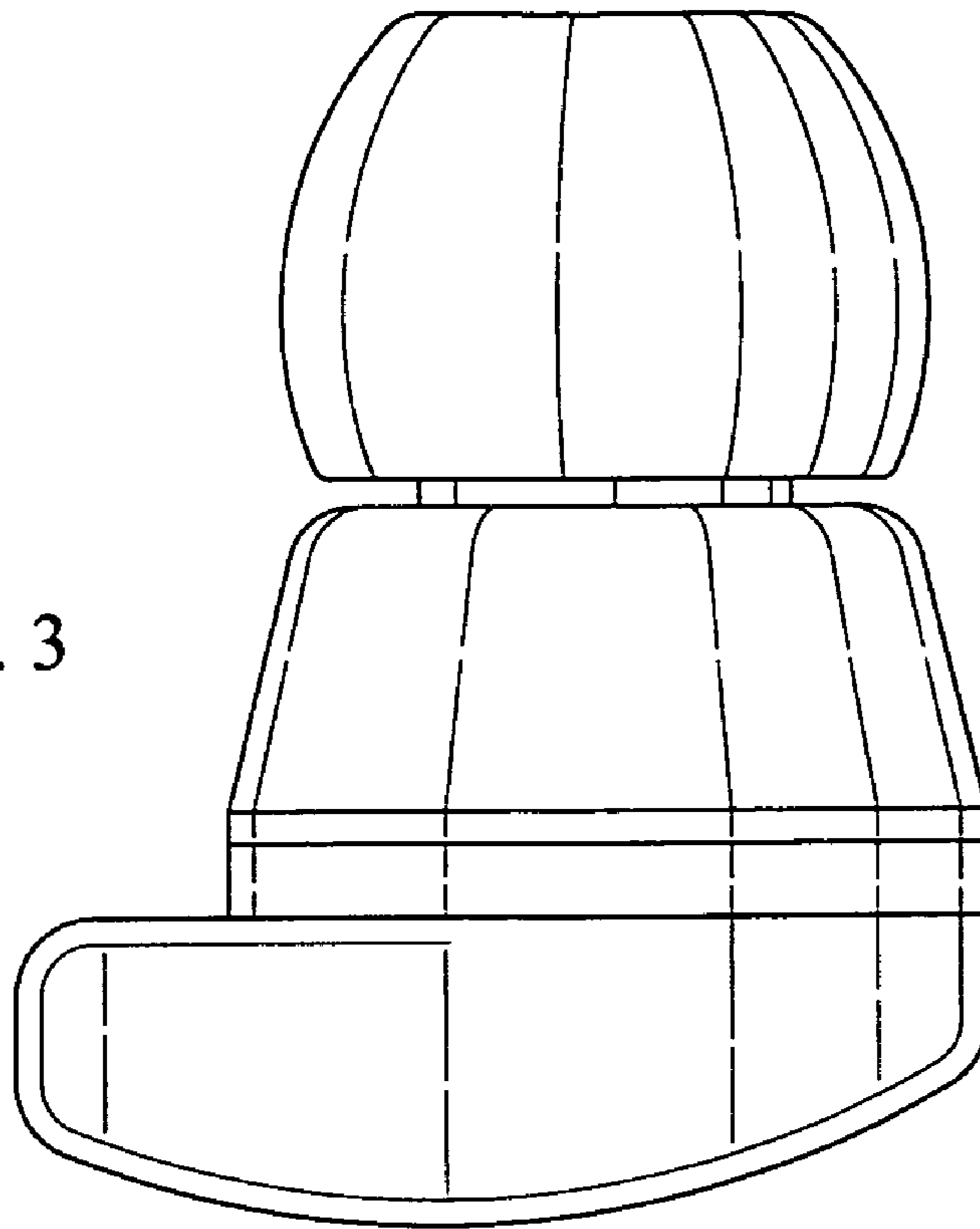
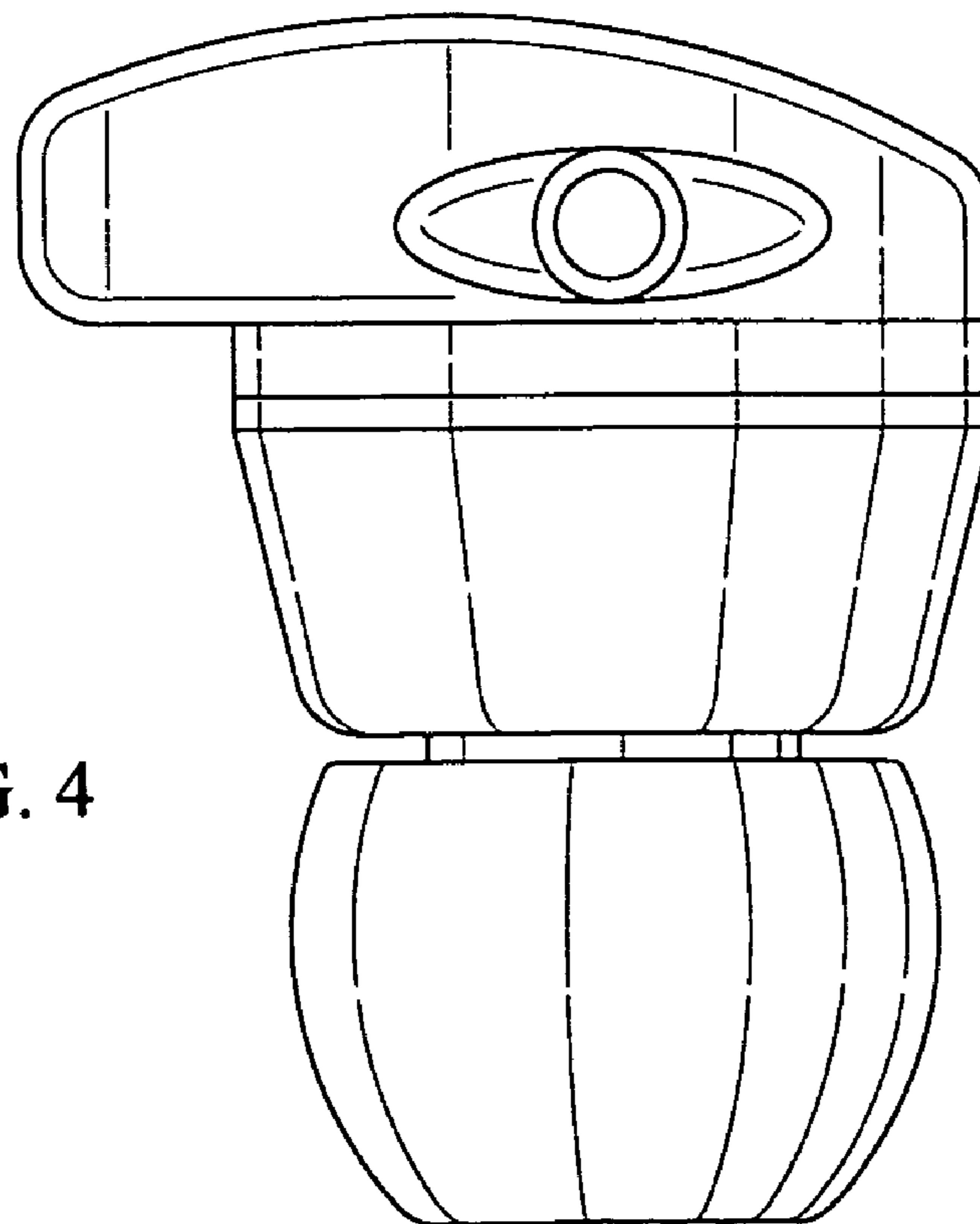


FIG. 4



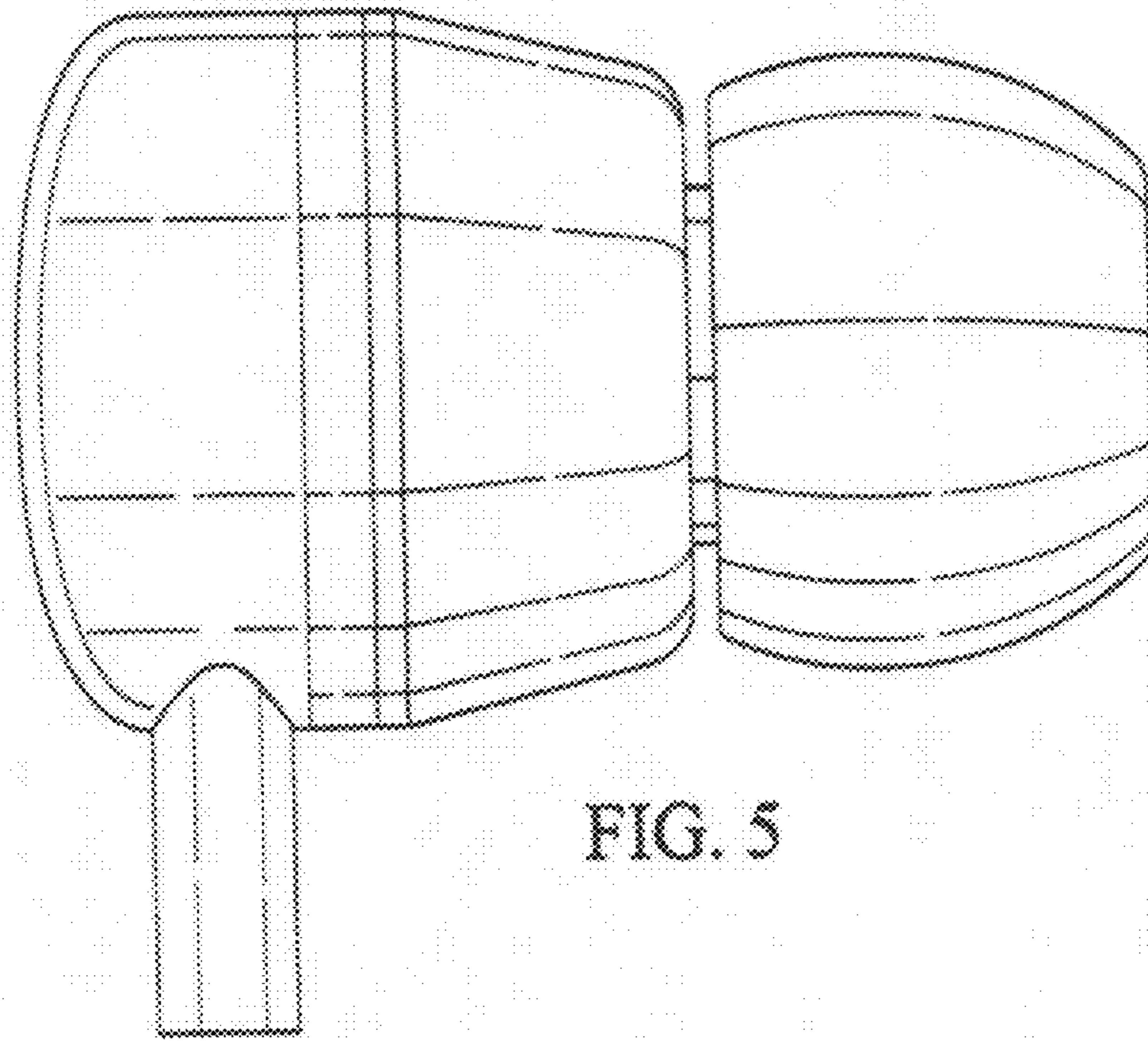


FIG. 5

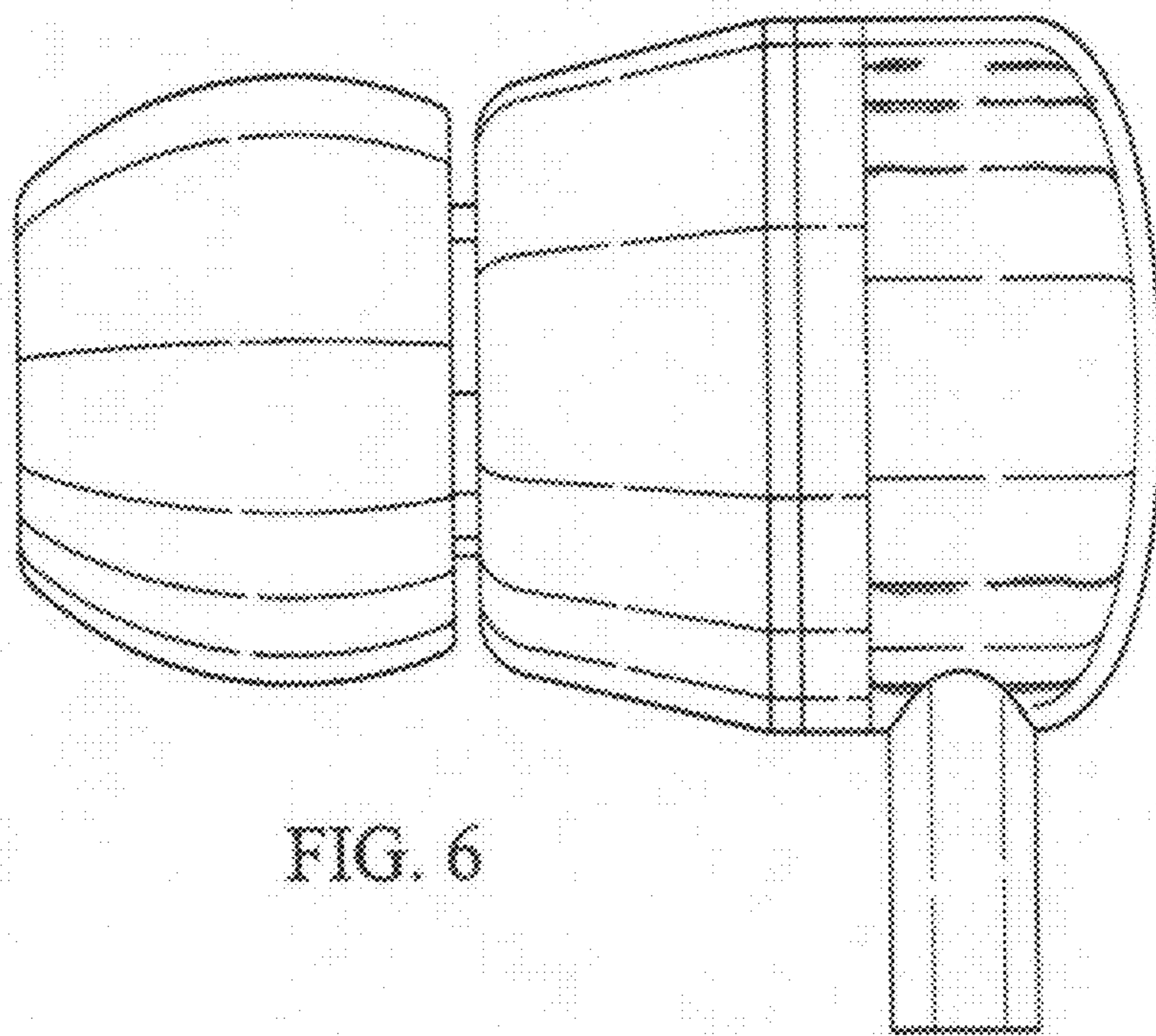


FIG. 6

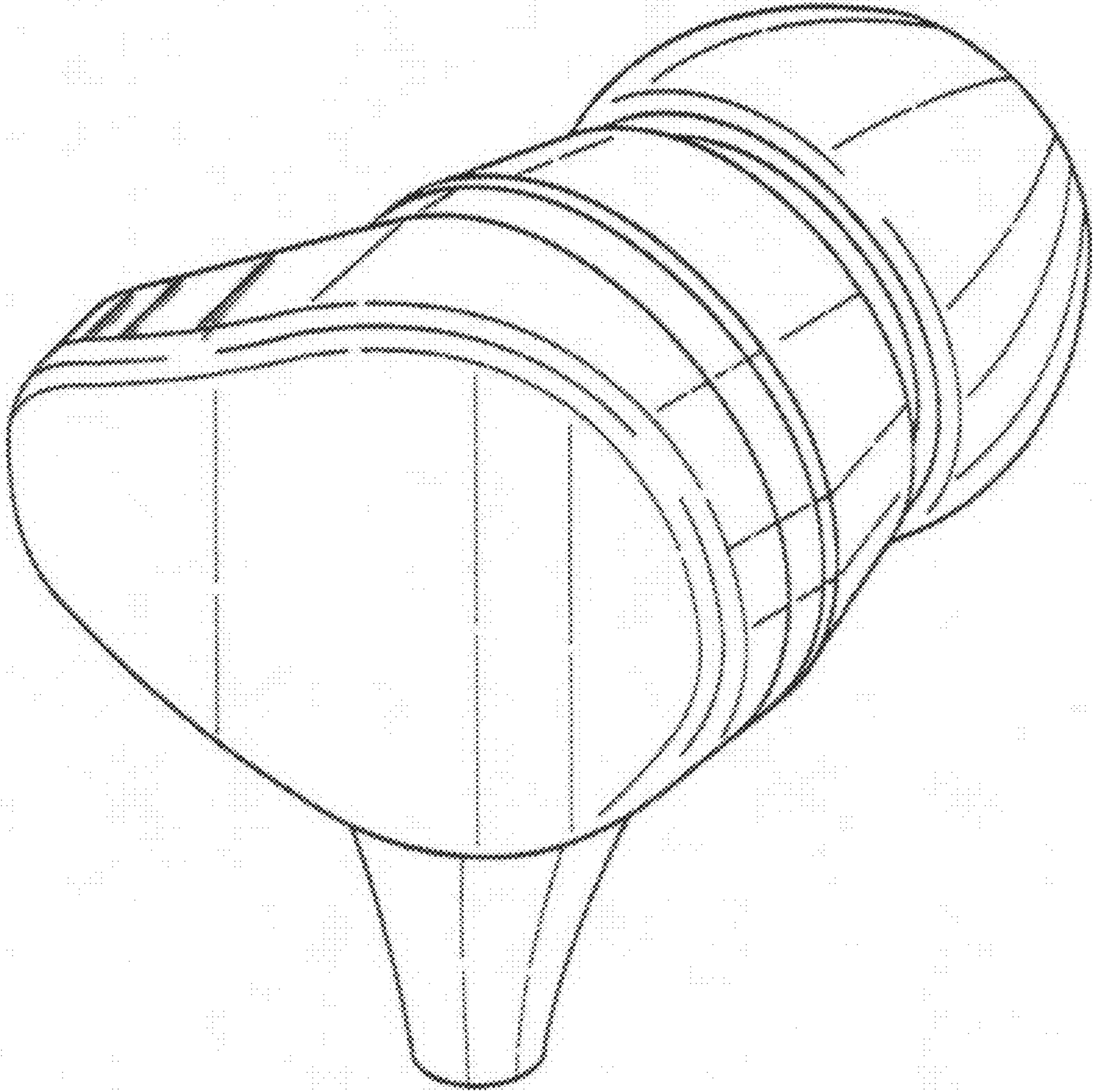


FIG. 7