



US00D668240S

(12) **United States Design Patent**
Brandis

(10) **Patent No.:** **US D668,240 S**
(45) **Date of Patent:** **** Oct. 2, 2012**

(54) **HEADSET WITH SIDESUPPORT**

(75) Inventor: **Michael Brandis**, Nürnberg (DE)

(73) Assignee: **Sennheiser Communications A/S**,
Solrod Strand (DK)

(**) Term: **14 Years**

(21) Appl. No.: **29/368,917**

(22) Filed: **Aug. 31, 2010**

(30) **Foreign Application Priority Data**

Mar. 3, 2010 (EP) 001676982-0002

(51) **LOC (9) Cl.** **14-01**

(52) **U.S. Cl.** **D14/206**

(58) **Field of Classification Search** D14/205,
D14/206, 223, 225, 228; 181/129, 130, 135;
379/430, 431, 428.01, 433.03; 381/380,
381/381, 322, 362; 455/90.3, 575.1; 345/7
See application file for complete search history.

(56) **References Cited**

U.S. PATENT DOCUMENTS

5,033,094	A *	7/1991	Hung	381/379
D337,116	S *	7/1993	Hattori	D14/206
D344,730	S *	3/1994	Gathey et al.	D14/206
5,469,505	A *	11/1995	Gathey et al.	379/430
D377,020	S *	12/1996	Bungardt et al.	D14/205
D394,437	S *	5/1998	Landreth et al.	D14/206
5,793,878	A *	8/1998	Chang	381/370
D410,921	S *	6/1999	Luchs et al.	D14/142
6,154,539	A *	11/2000	Pitel	379/430
D449,035	S *	10/2001	Weikel et al.	D14/206
D457,155	S *	5/2002	Skulley et al.	D14/206
D482,019	S *	11/2003	Petersen et al.	D14/206

D482,674	S *	11/2003	Rath et al.	D14/206
D488,146	S *	4/2004	Minto	D14/206
D494,957	S *	8/2004	Rath et al.	D14/206
D498,470	S *	11/2004	Skulley et al.	D14/206
6,952,481	B2 *	10/2005	Larsen et al.	381/74
6,970,572	B2 *	11/2005	Murozaki et al.	381/381
D514,086	S *	1/2006	Skulley	D14/206
D517,528	S *	3/2006	Skulley	D14/206
D518,479	S *	4/2006	Skulley	D14/225
D530,307	S *	10/2006	Rath	D14/206
D530,702	S *	10/2006	Pritchard et al.	D14/206
D531,165	S *	10/2006	Rath	D14/206
D538,785	S *	3/2007	Skulley	D14/206
7,190,330	B2 *	3/2007	Travers et al.	345/7
D540,778	S *	4/2007	Thompson et al.	D14/206
D587,684	S *	3/2009	Ham et al.	D14/205
D597,072	S *	7/2009	Asai	D14/206

(Continued)

Primary Examiner — Paula Greene

(74) *Attorney, Agent, or Firm* — Birch, Stewart, Kolasch & Birch, LLP

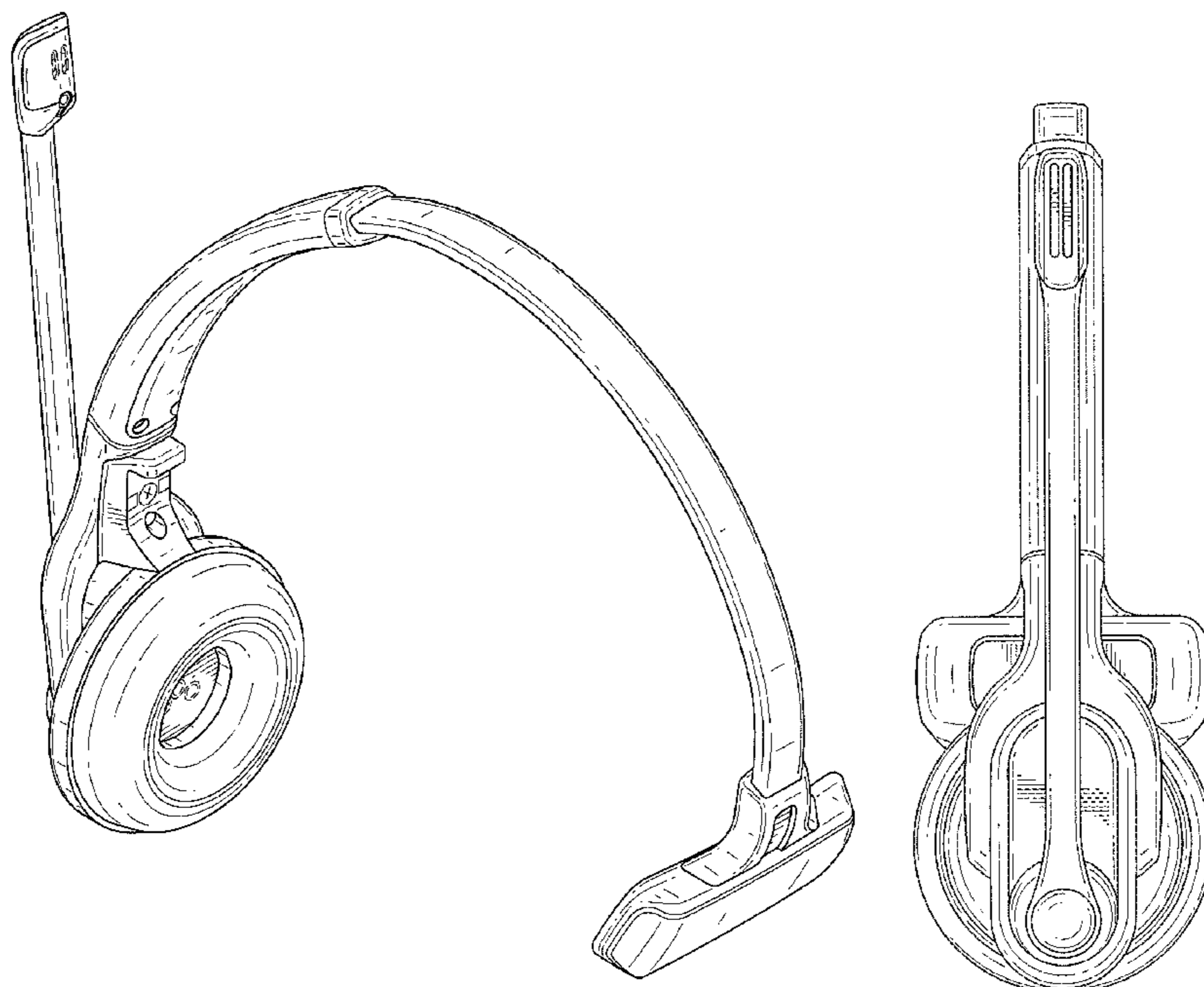
(57) **CLAIM**

The ornamental design for a headset with sidesupport, as substantially shown and described.

DESCRIPTION

FIG. 1 is a front view of the headset with sidesupport; FIG. 2 is a front perspective view of the headset with sidesupport; FIG. 3 is a right side view of the headset with sidesupport; FIG. 4 is a bottom view of the headset with sidesupport; FIG. 5 is a left side view of the headset with sidesupport; FIG. 6 is a rear view of the headset with sidesupport; and, FIG. 7 is a top view of the headset with sidesupport. The broken lines form no part of the claimed design.

1 Claim, 7 Drawing Sheets



US D668,240 S

Page 2

U.S. PATENT DOCUMENTS

D601,543 S *	10/2009	Bentley	D14/206	D643,405 S *	8/2011	Rath	D14/206
D602,001 S *	10/2009	Bentley	D14/206	D645,023 S *	9/2011	Brandis	D14/206
D628,189 S *	11/2010	Rath	D14/206	D654,471 S *	2/2012	Fischer	D14/206
D638,000 S *	5/2011	Hoggarth	D14/206	D654,472 S *	2/2012	Fischer	D14/206
D641,337 S *	7/2011	Brandis	D14/206				

* cited by examiner

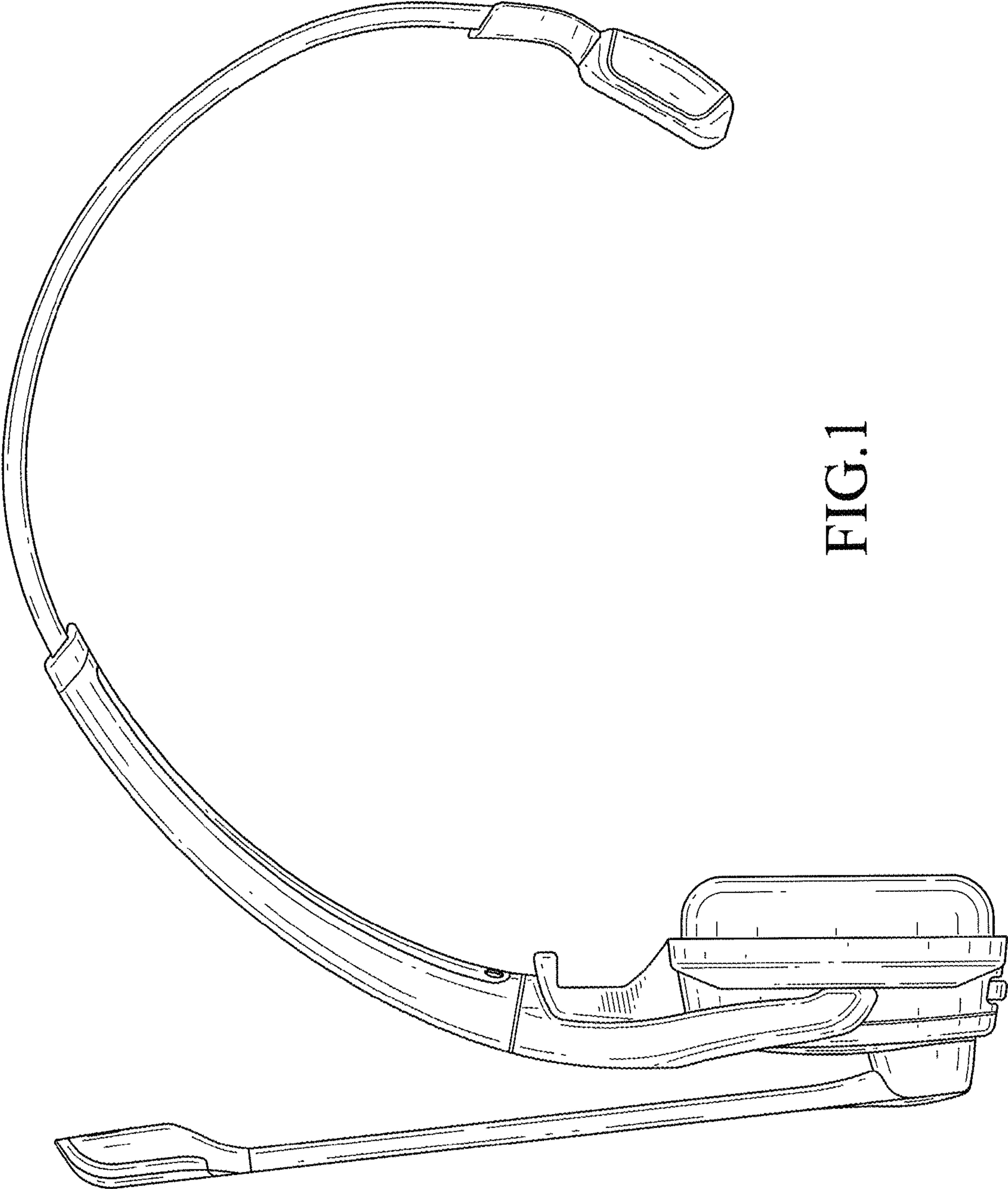


FIG.1

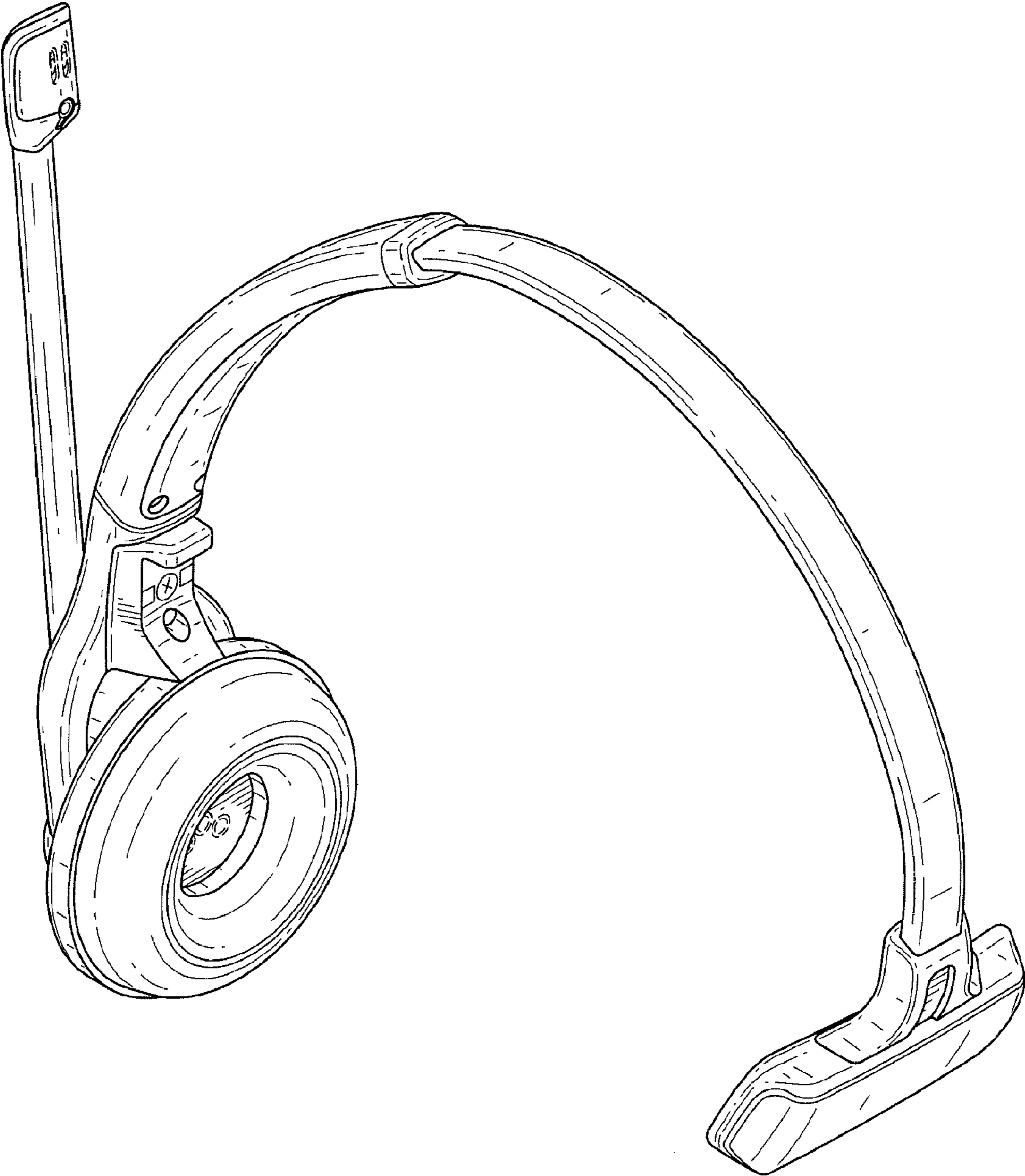


FIG.2

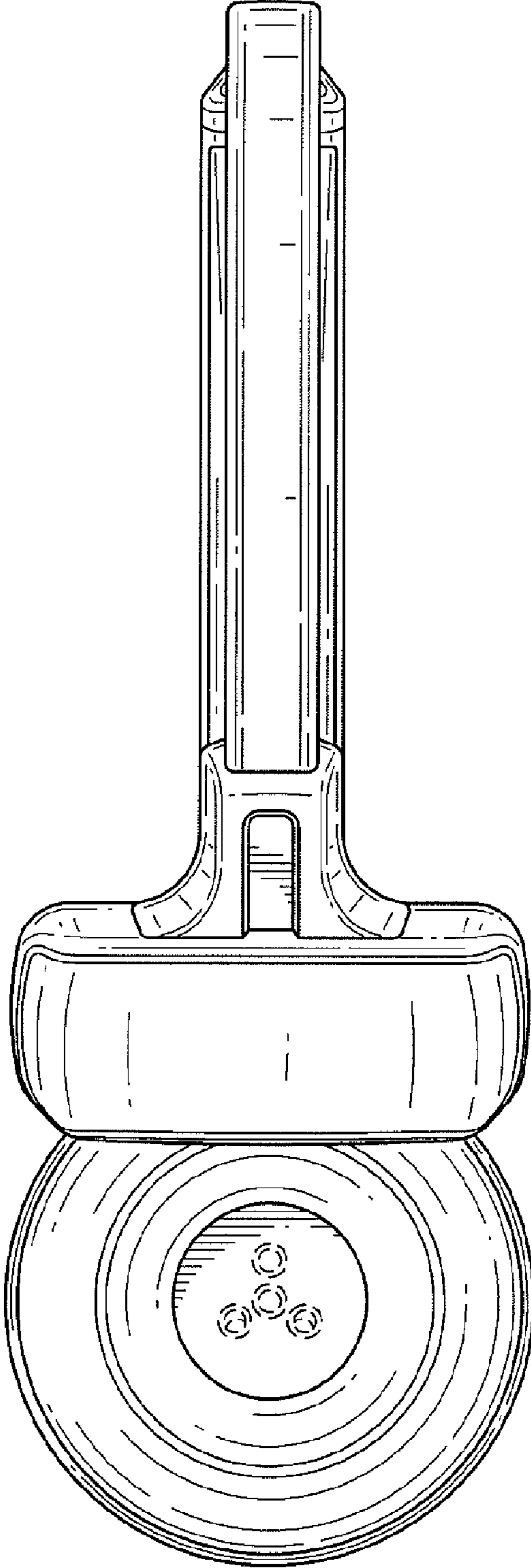


FIG.3

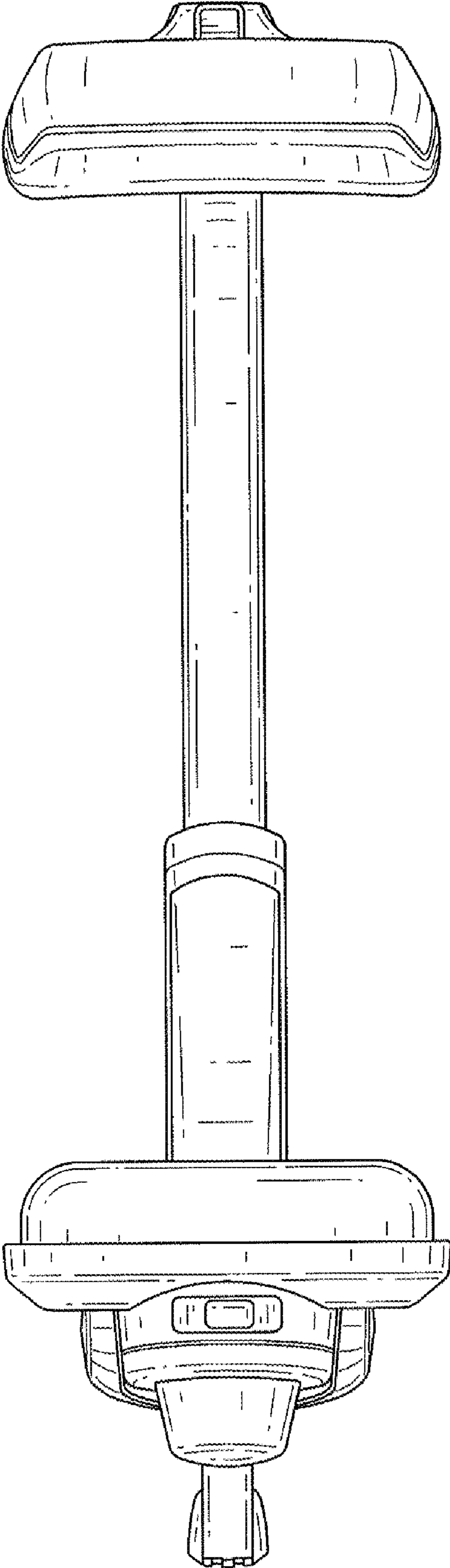


FIG.4

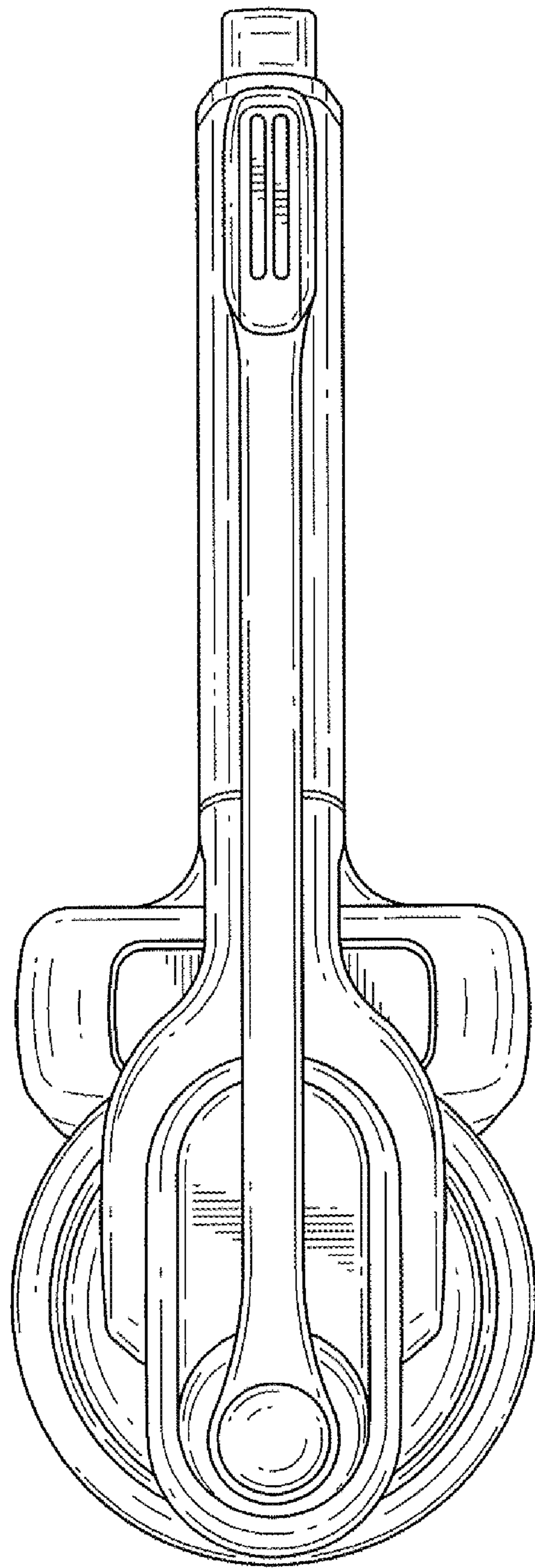


FIG.5

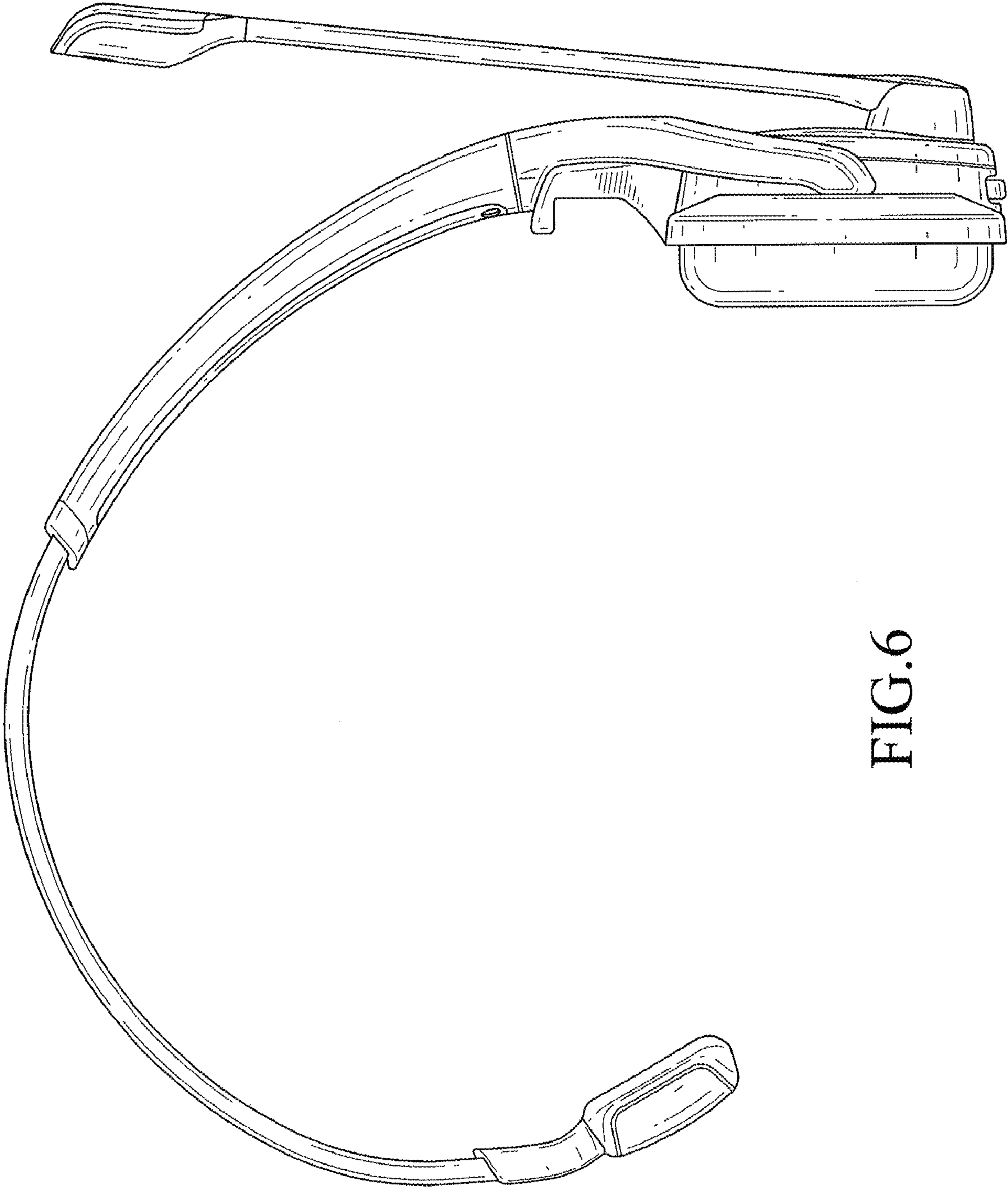


FIG.6

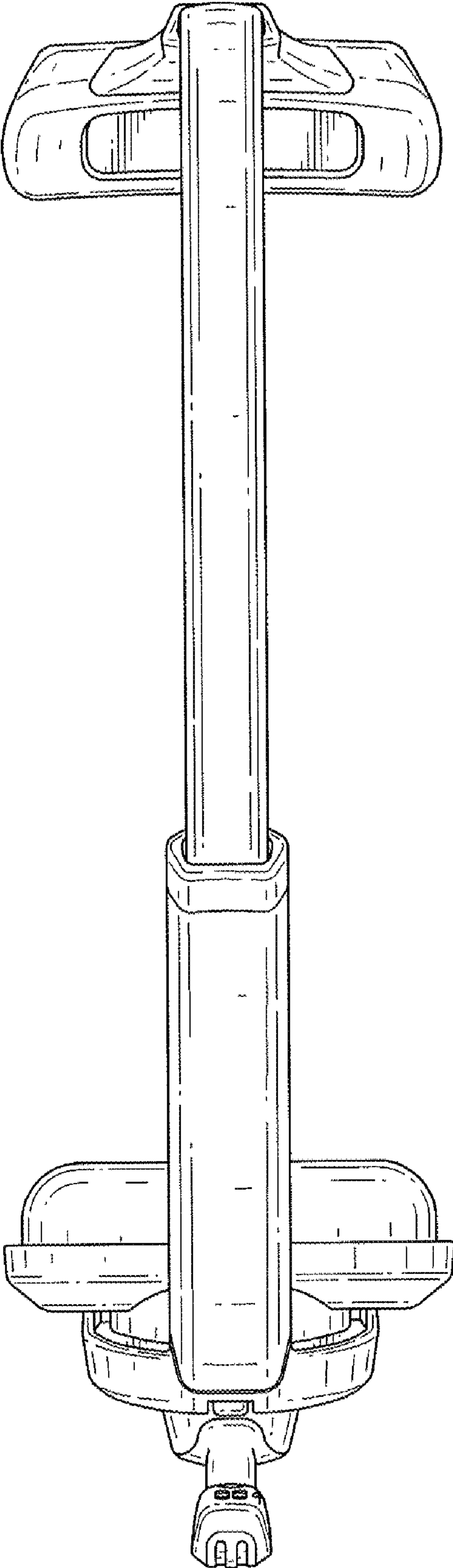


FIG. 7