



US00D668234S

(12) **United States Design Patent**
Lee et al.

(10) **Patent No.:** **US D668,234 S**
(45) **Date of Patent:** **** Oct. 2, 2012**

(54) **LED CHIP**

(75) Inventors: **Chia-En Lee**, Chia Yi (TW); **Te-Ling Hsia**, New Taipei (TW); **Wen-Fei Fong**, Hsin Chu (TW)

(73) Assignee: **Lextar Electornics Corp.**, Hsinchu (TW)

(**) Term: **14 Years**

(21) Appl. No.: **29/406,549**

(22) Filed: **Nov. 16, 2011**

(30) **Foreign Application Priority Data**

May 24, 2001 (TW) 100302530

(51) **LOC (9) Cl.** **13-03**

(52) **U.S. Cl.** **D13/180**

(58) **Field of Classification Search** D13/180;
D26/1, 2; 257/79, 80, 81, 88, 89, 95, 98,
257/99, 100, E33.058; 313/483, 498, 500;
362/555, 800

See application file for complete search history.

(56) **References Cited**

U.S. PATENT DOCUMENTS

6,307,218	B1 *	10/2001	Steigerwald et al.	257/99
6,847,052	B2 *	1/2005	Fan et al.	257/79
7,087,985	B2 *	8/2006	Park et al.	257/676
D566,056	S *	4/2008	Edmond et al.	D13/180
D578,536	S *	10/2008	Lei et al.	D14/435
7,531,841	B2 *	5/2009	Ko et al.	257/79
D593,968	S *	6/2009	Edmond et al.	D13/180

D619,976	S *	7/2010	Liu et al.	D13/180
7,795,610	B2 *	9/2010	Kim et al.	257/35
D627,747	S *	11/2010	Chu et al.	D13/180
D633,876	S *	3/2011	Shan et al.	D13/180
D638,377	S *	5/2011	Yan et al.	D13/180
D645,421	S *	9/2011	Wang et al.	D13/180
D648,287	S *	11/2011	Hsu et al.	D13/180
8,110,847	B2 *	2/2012	Ko et al.	257/99
D656,908	S *	4/2012	Hsu et al.	D13/180
8,168,995	B2 *	5/2012	Ko et al.	257/99
8,188,505	B2 *	5/2012	Shen et al.	257/99
2006/0192223	A1 *	8/2006	Lee et al.	257/99
2009/0159909	A1 *	6/2009	Lee et al.	257/96
2010/0025719	A1 *	2/2010	Li	257/99
2011/0278634	A1 *	11/2011	Na et al.	257/99
2011/0284901	A1 *	11/2011	Kim et al.	257/98

* cited by examiner

Primary Examiner — Selina Sikder

(74) *Attorney, Agent, or Firm* — Schmeiser Olsen & Watts LLP

(57) **CLAIM**

The ornamental design for LED chip, as shown and described.

DESCRIPTION

FIG. 1 is a front perspective view of LED chip showing the new design;

FIG. 2 is a front elevational view thereof;

FIG. 3 is a rear elevational view thereof;

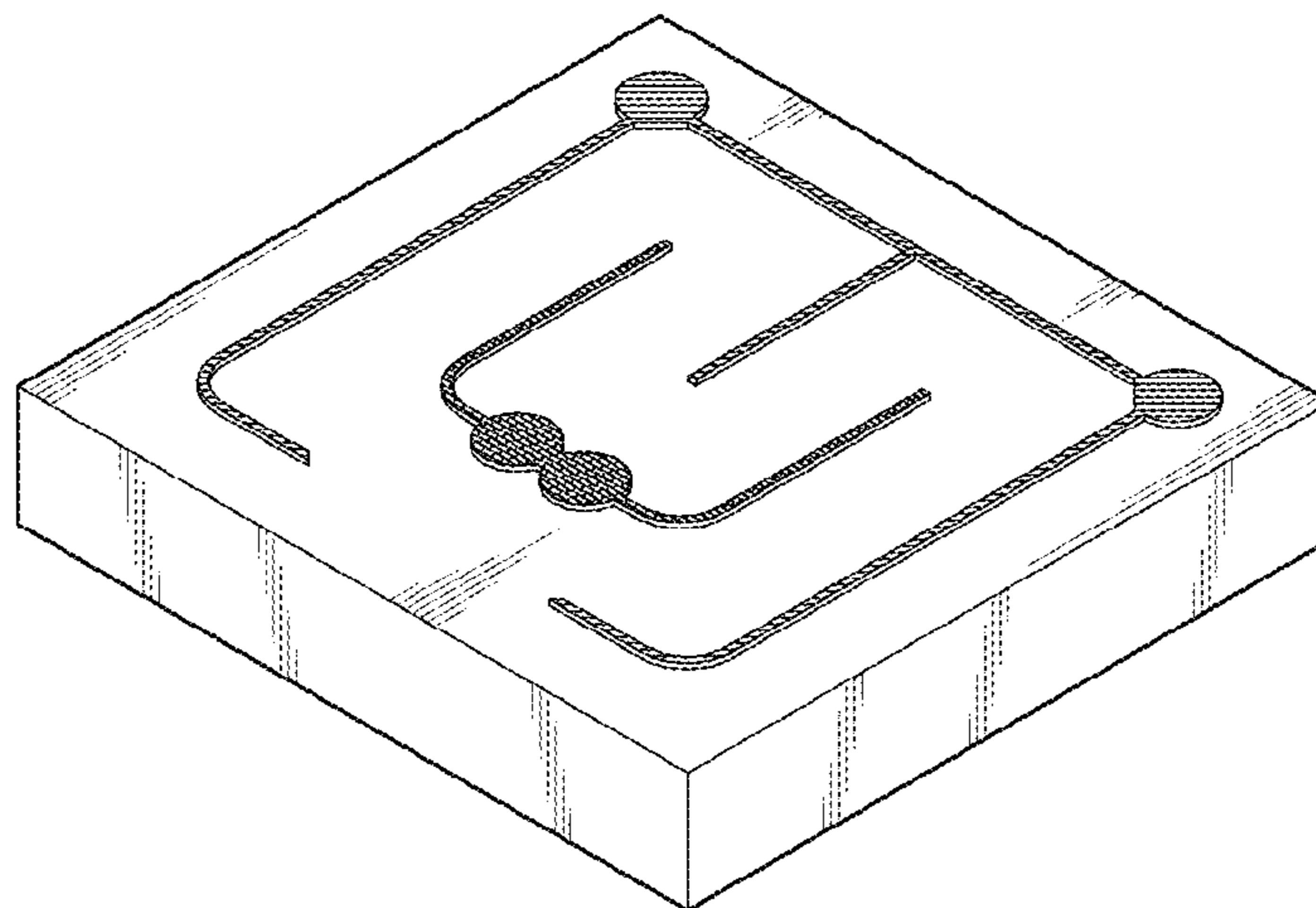
FIG. 4 is a left side elevational view thereof;

FIG. 5 is a right side elevational view thereof;

FIG. 6 is a top plan view thereof; and,

FIG. 7 is a bottom plan view thereof.

1 Claim, 7 Drawing Sheets



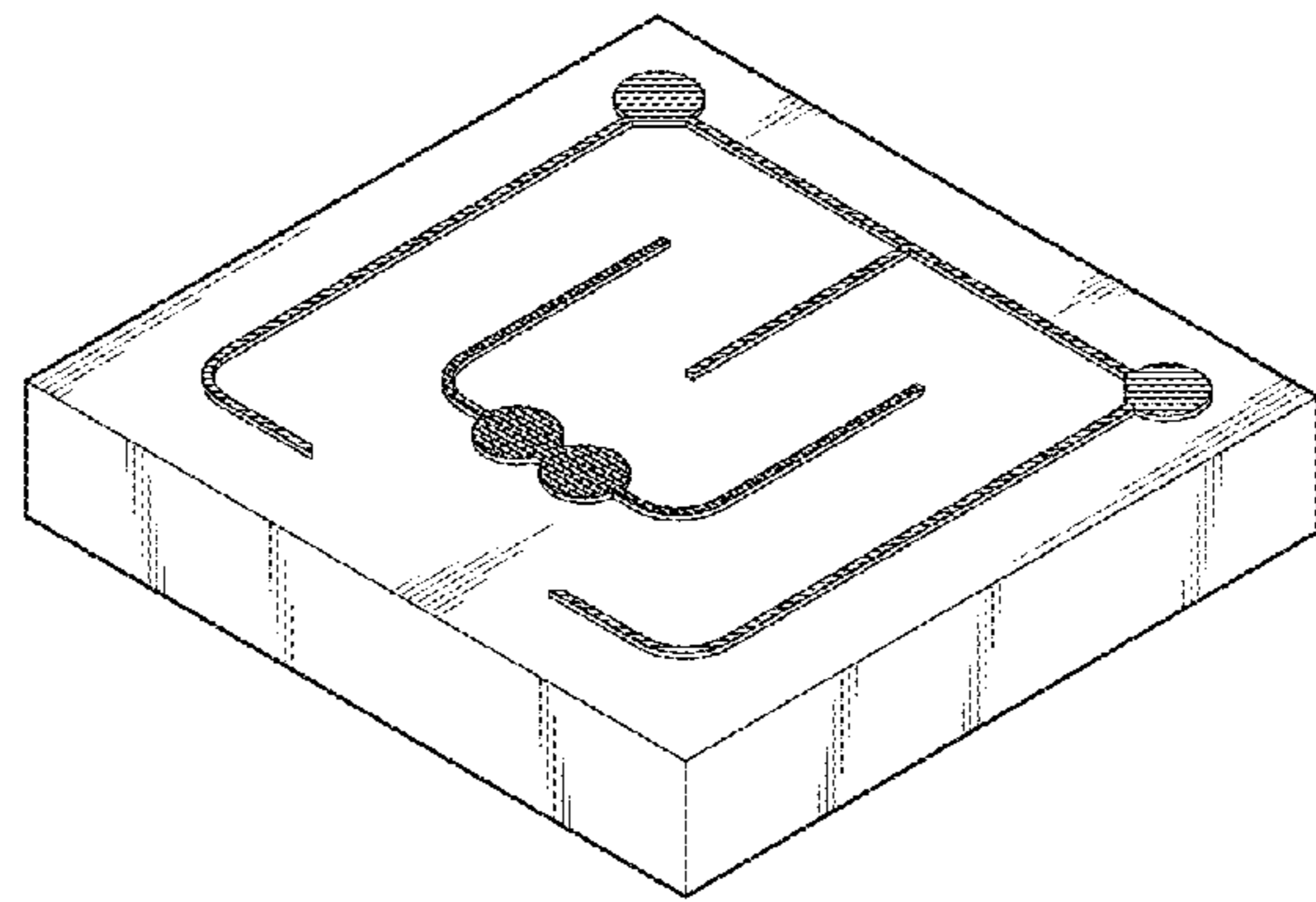


FIG.1

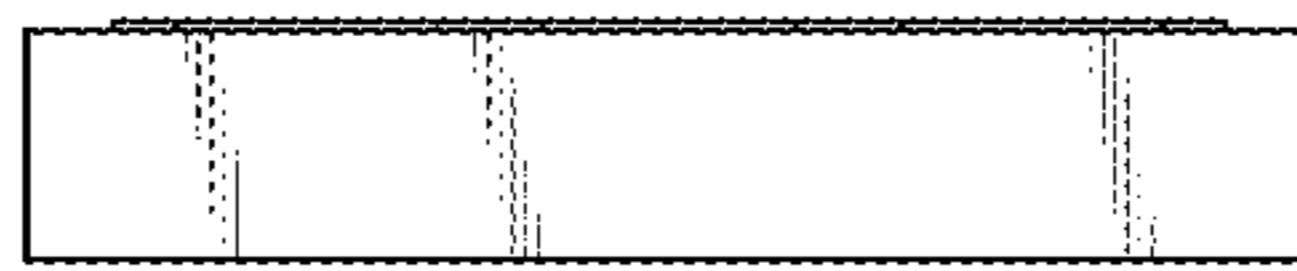


FIG.2



FIG.3

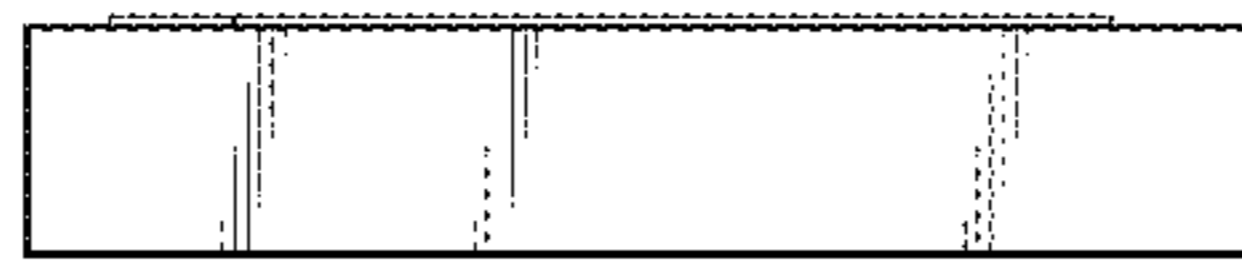


FIG.4

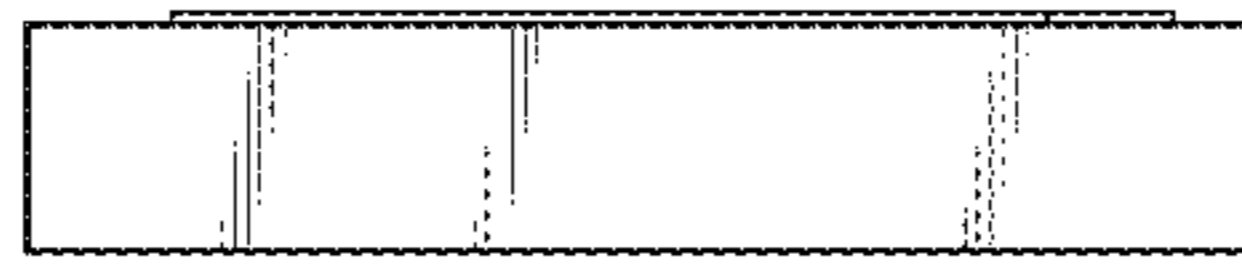


FIG.5

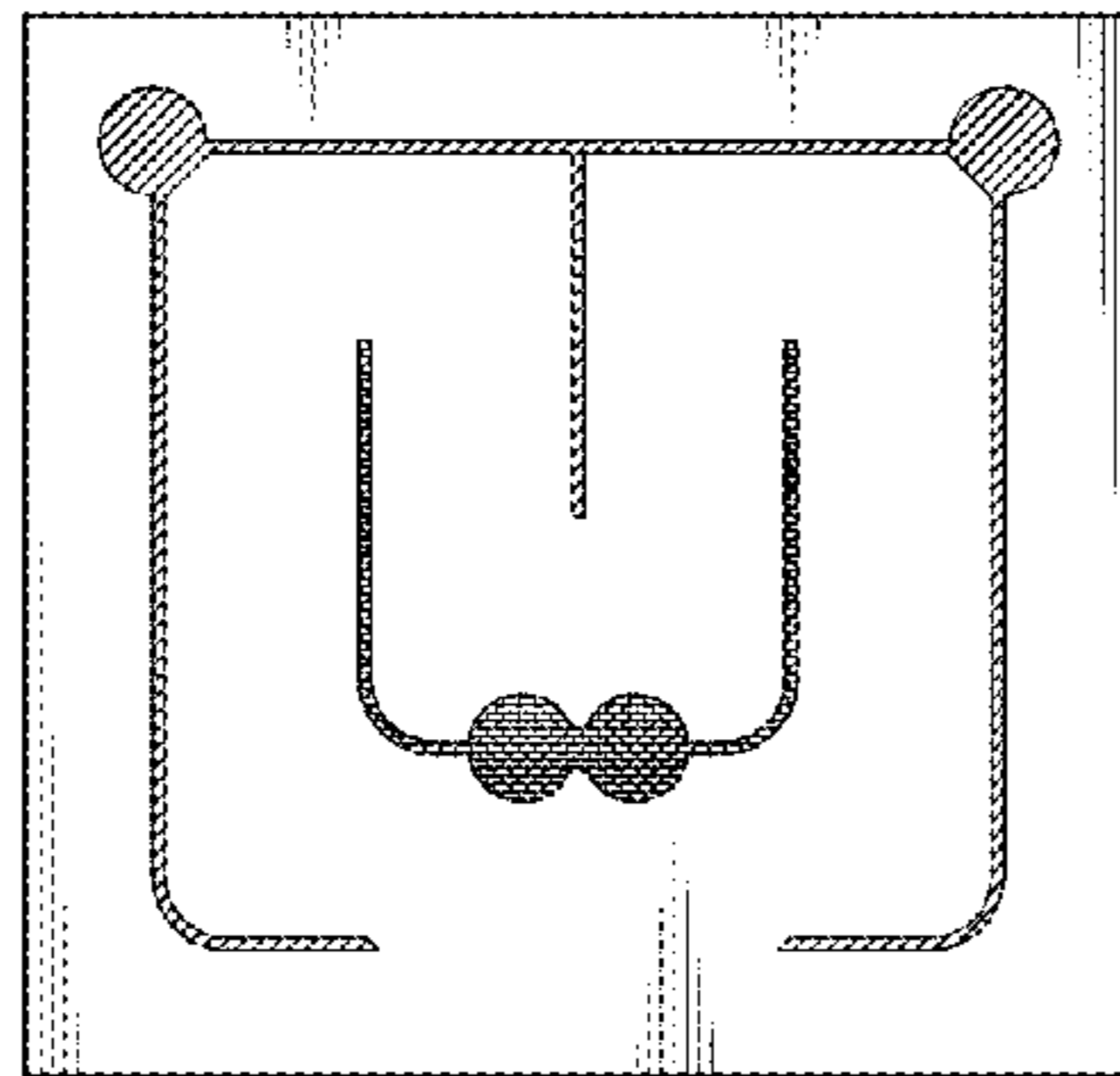


FIG.6

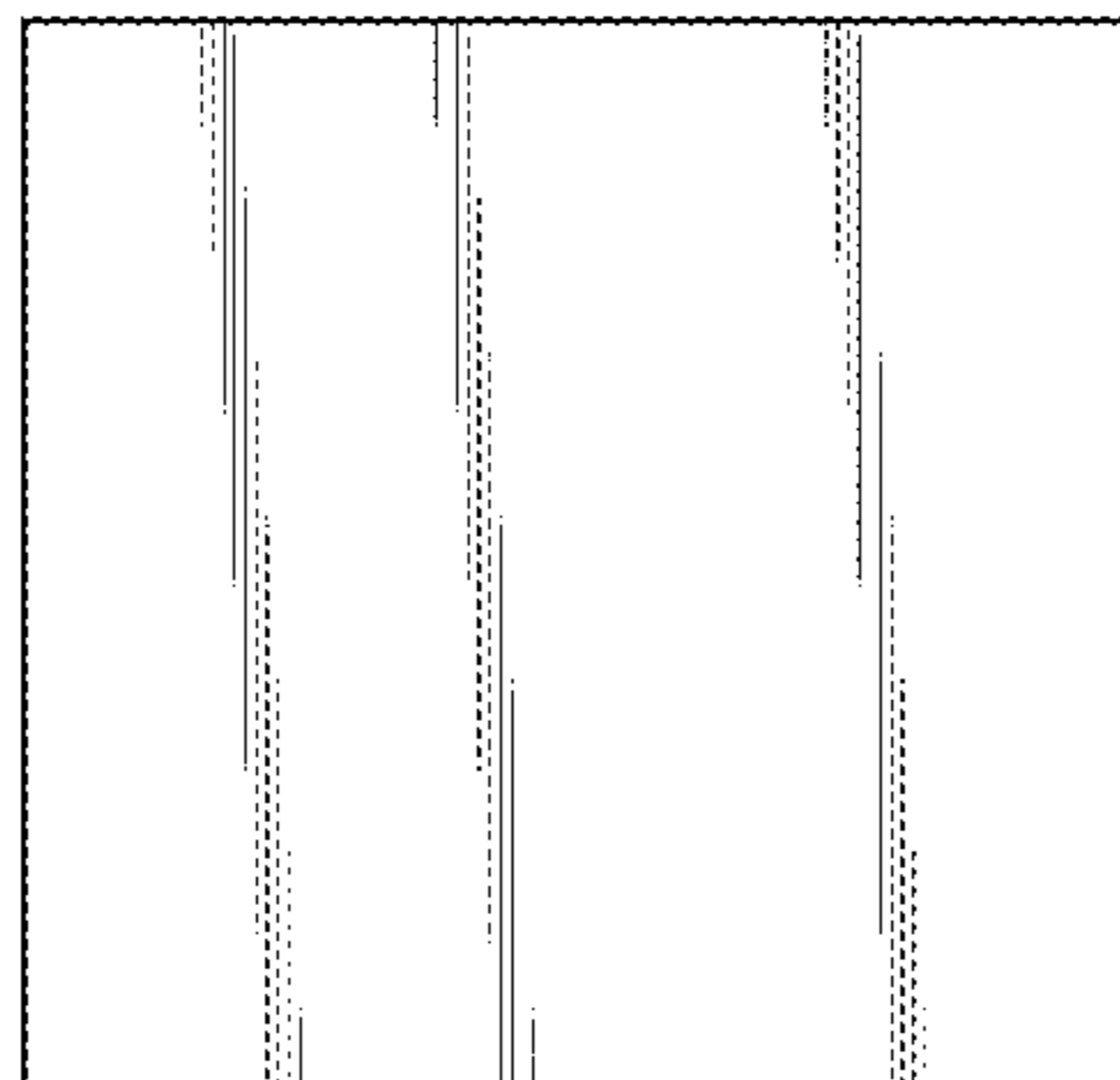


FIG.7