



US00D668231S

(12) **United States Design Patent**
Paul et al.

(10) **Patent No.:** **US D668,231 S**
(45) **Date of Patent:** **** Oct. 2, 2012**

(54) **DECODER MODULE FOR IRRIGATION CONTROLLER**

(75) Inventors: **Michael F. Paul**, San Diego, CA (US);
Steven B. Cook, Oceanside, CA (US)

(73) Assignee: **Hunter Industries, Inc.**, San Marcos, CA (US)

(**) Term: **14 Years**

(21) Appl. No.: **29/367,094**

(22) Filed: **Aug. 3, 2010**

(51) **LOC (9) Cl.** **13-03**

(52) **U.S. Cl.** **D13/162**

(58) **Field of Classification Search** D13/162,
D13/164; D10/46, 49, 96; 137/624.11; 239/69;
361/622, 627, 628, 643; 700/284

See application file for complete search history.

(56) **References Cited**

U.S. PATENT DOCUMENTS

6,721,630	B1 *	4/2004	Woytowitz	700/284
D492,264	S *	6/2004	Perez et al.	D13/162
D517,020	S *	3/2006	Cook et al.	D13/162
D580,373	S *	11/2008	Stange et al.	D13/162
7,457,687	B1 *	11/2008	Porter	700/284
D581,880	S *	12/2008	Neitzel et al.	D13/162
D612,813	S *	3/2010	Paul	D13/162
D615,050	S *	5/2010	Christiansen	D13/173
7,792,612	B2 *	9/2010	Kah, Jr.	700/284
7,953,517	B1 *	5/2011	Porter et al.	700/284
2005/0038529	A1 *	2/2005	Perez et al.	700/19

2005/0055106	A1 *	3/2005	Beutler et al.	700/11
2005/0273205	A1 *	12/2005	Nickerson et al.	700/284
2006/0030971	A1 *	2/2006	Nelson et al.	700/284
2007/0061048	A1 *	3/2007	Lorenz	700/284
2007/0179674	A1 *	8/2007	Ensworth et al.	700/284
2010/0030476	A1 *	2/2010	Woytowitz et al.	702/3

* cited by examiner

Primary Examiner — Selina Sikder

(74) *Attorney, Agent, or Firm* — Michael H. Jester

(57) **CLAIM**

The ornamental design for a decoder module for irrigation controller, as illustrated and described.

DESCRIPTION

FIG. 1 is an isometric view of the decoder module taken from the front side thereof;

FIG. 2 is an isometric view of the decoder module taken from the rear side thereof;

FIG. 3 is an elevation view of the decoder module taken from the right side of FIG. 2;

FIG. 4 is an elevation view of the decoder module taken from the left side of FIG. 2;

FIG. 5 is a front elevation view of the decoder module;

FIG. 6 is a bottom plan view of the decoder module;

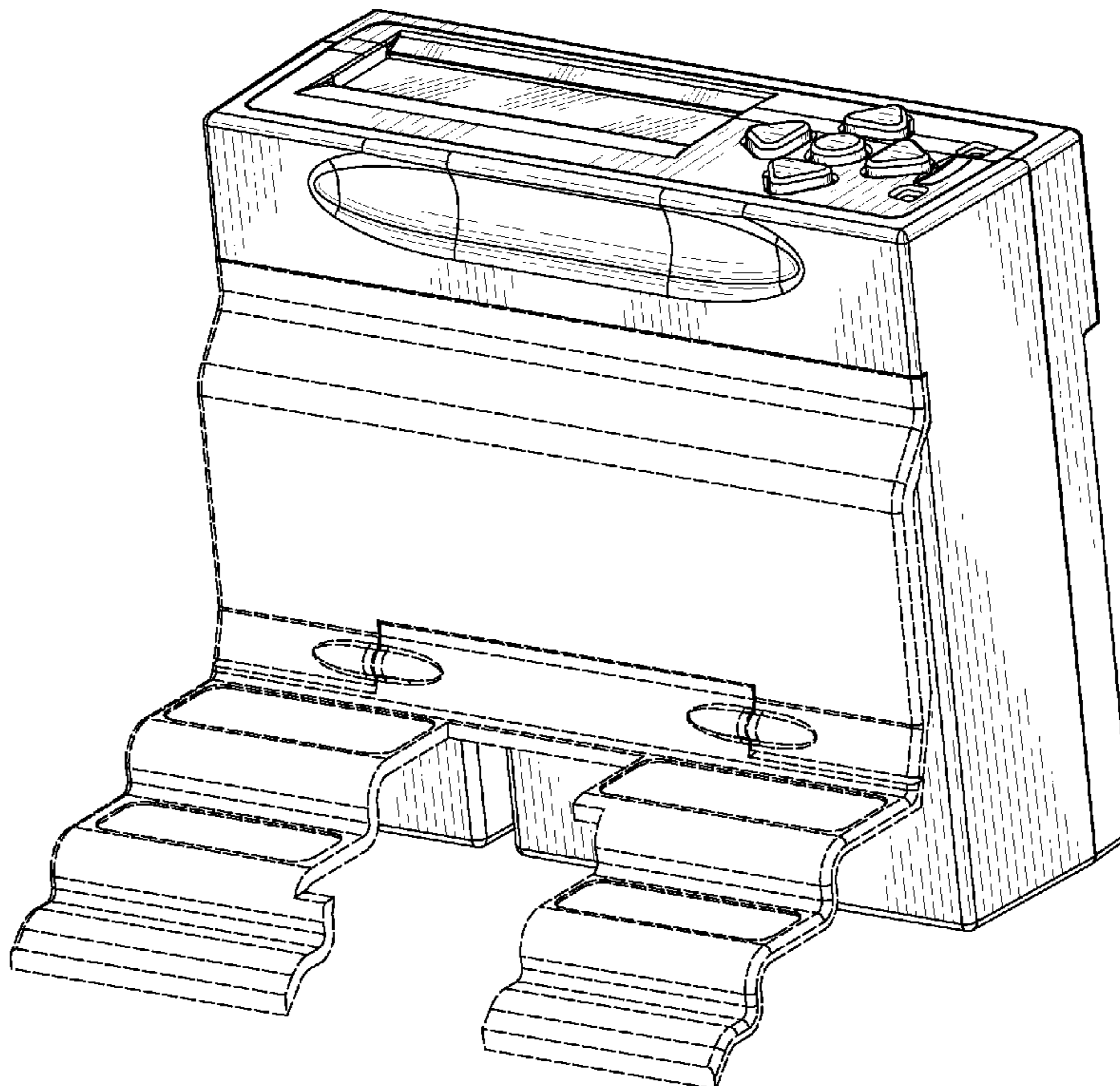
FIG. 7 is a top plan view of the decoder module; and,

FIG. 8 is a rear elevation view of the decoder module.

In the figures, covers for wire connection terminals are illustrated in phantom lines and form no part of the claimed design.

Portions of the surfaces behind the covers for the wire connection terminals seen in FIGS. 1 and 5 views that are part of the claimed design are defined in FIGS. 1 and 5 views.

1 Claim, 4 Drawing Sheets



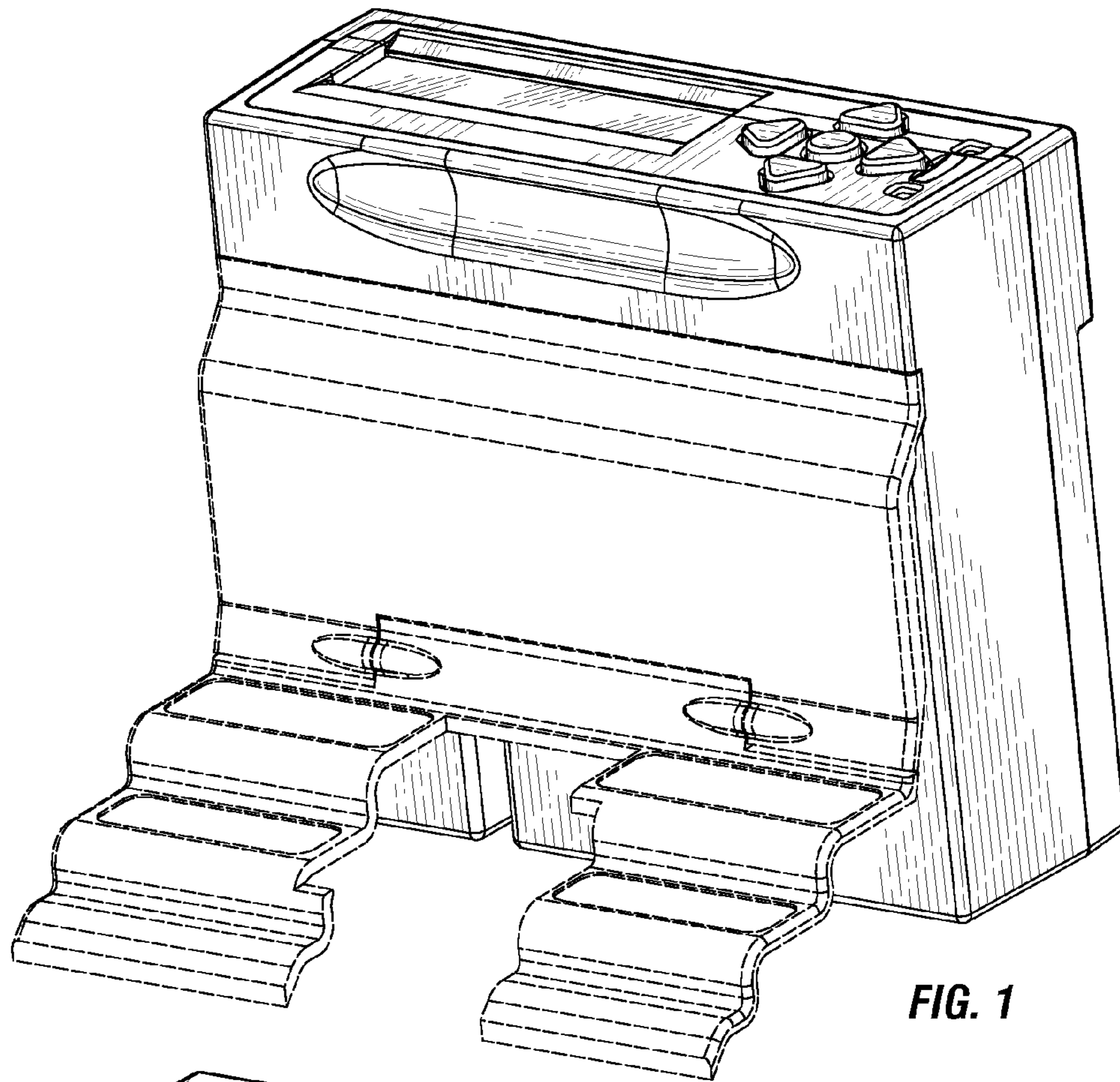


FIG. 1

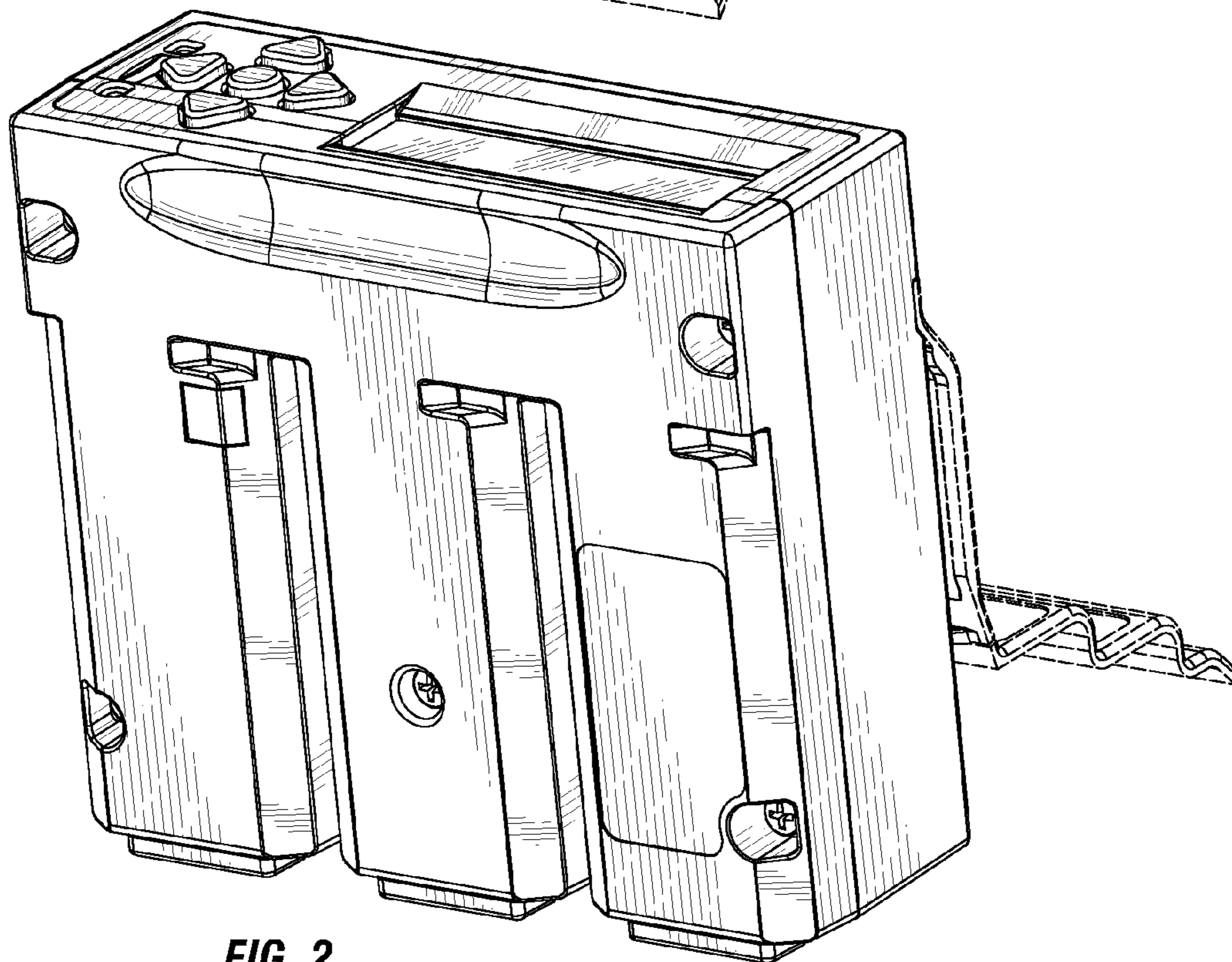
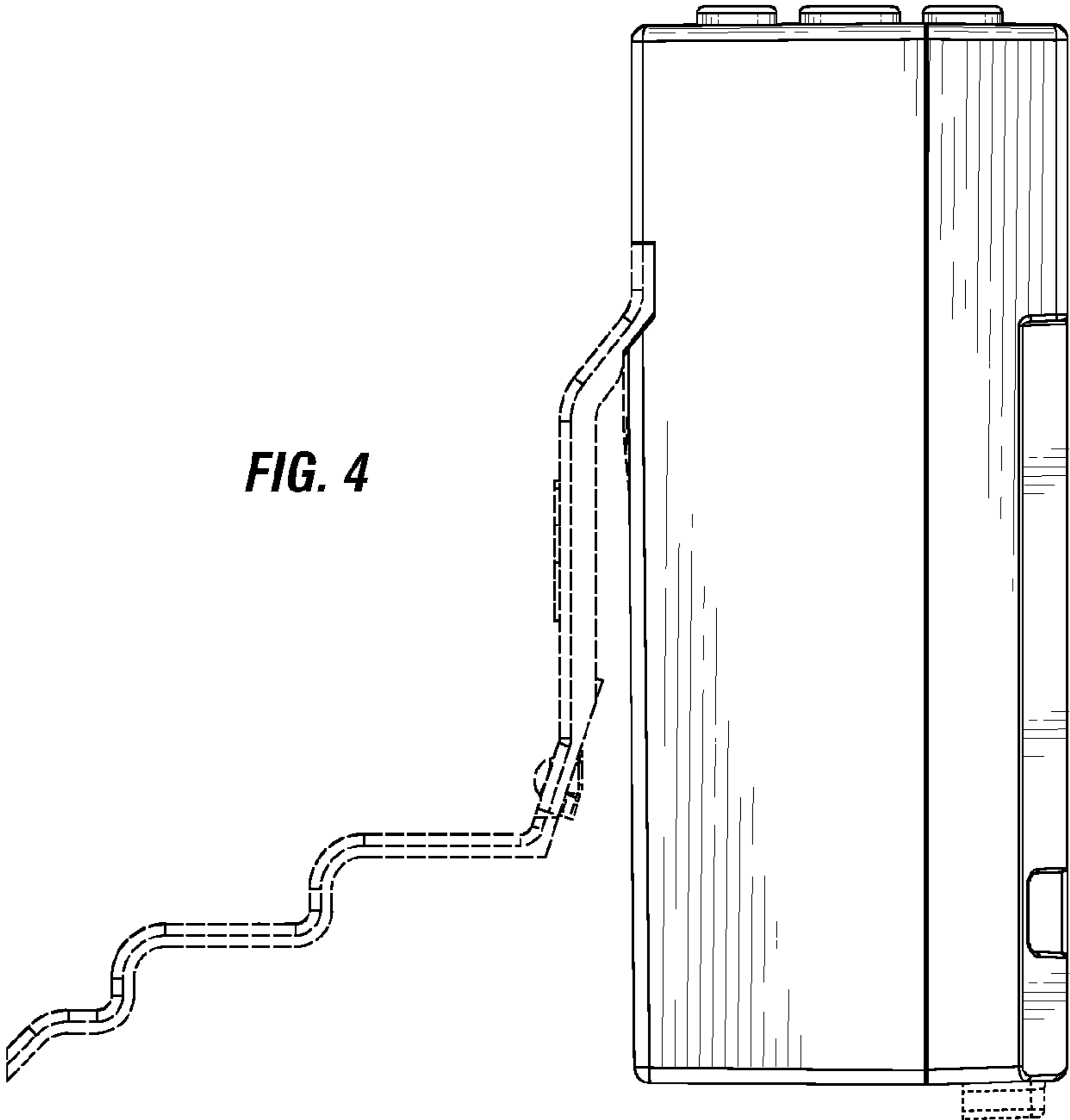
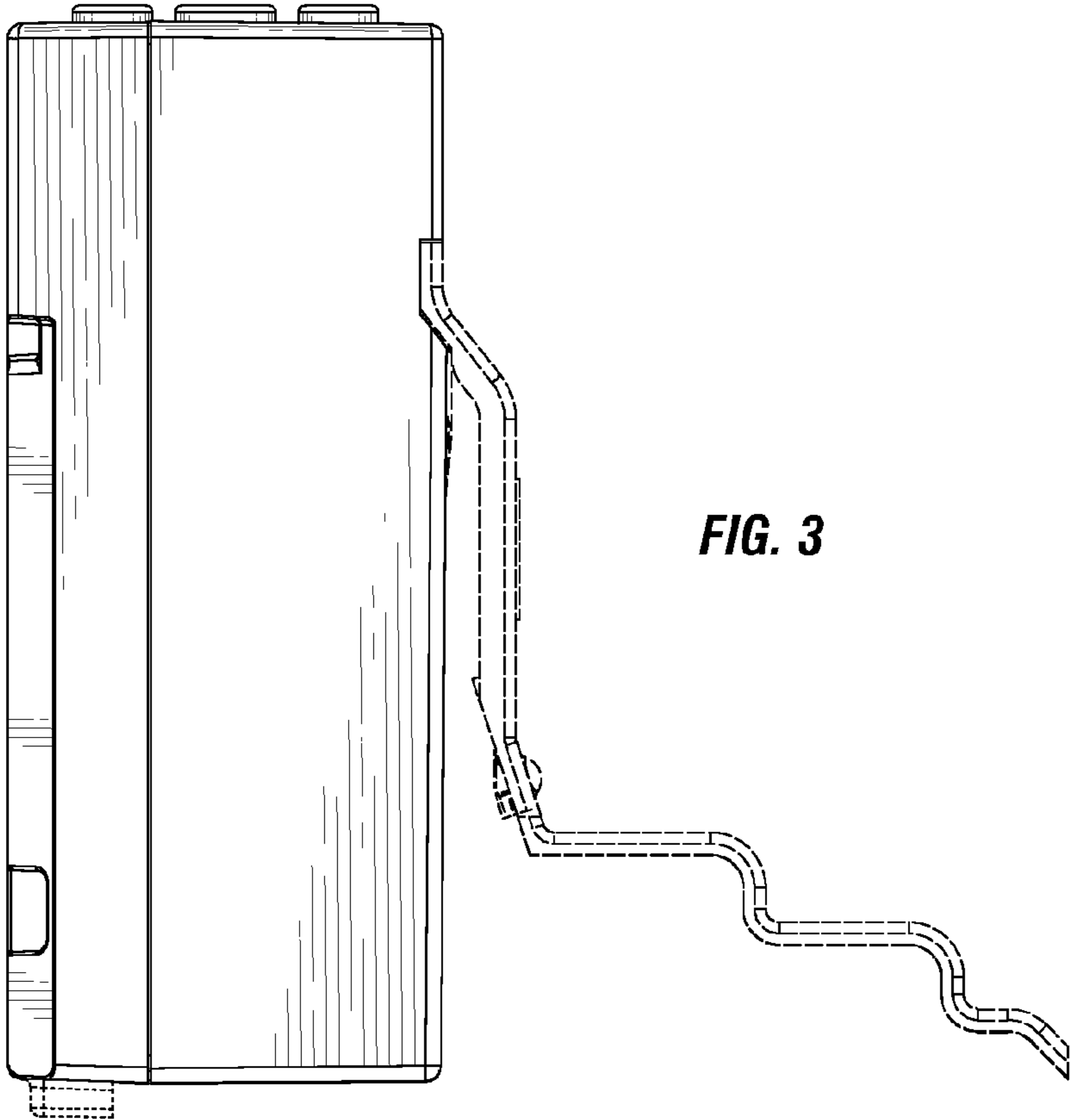


FIG. 2



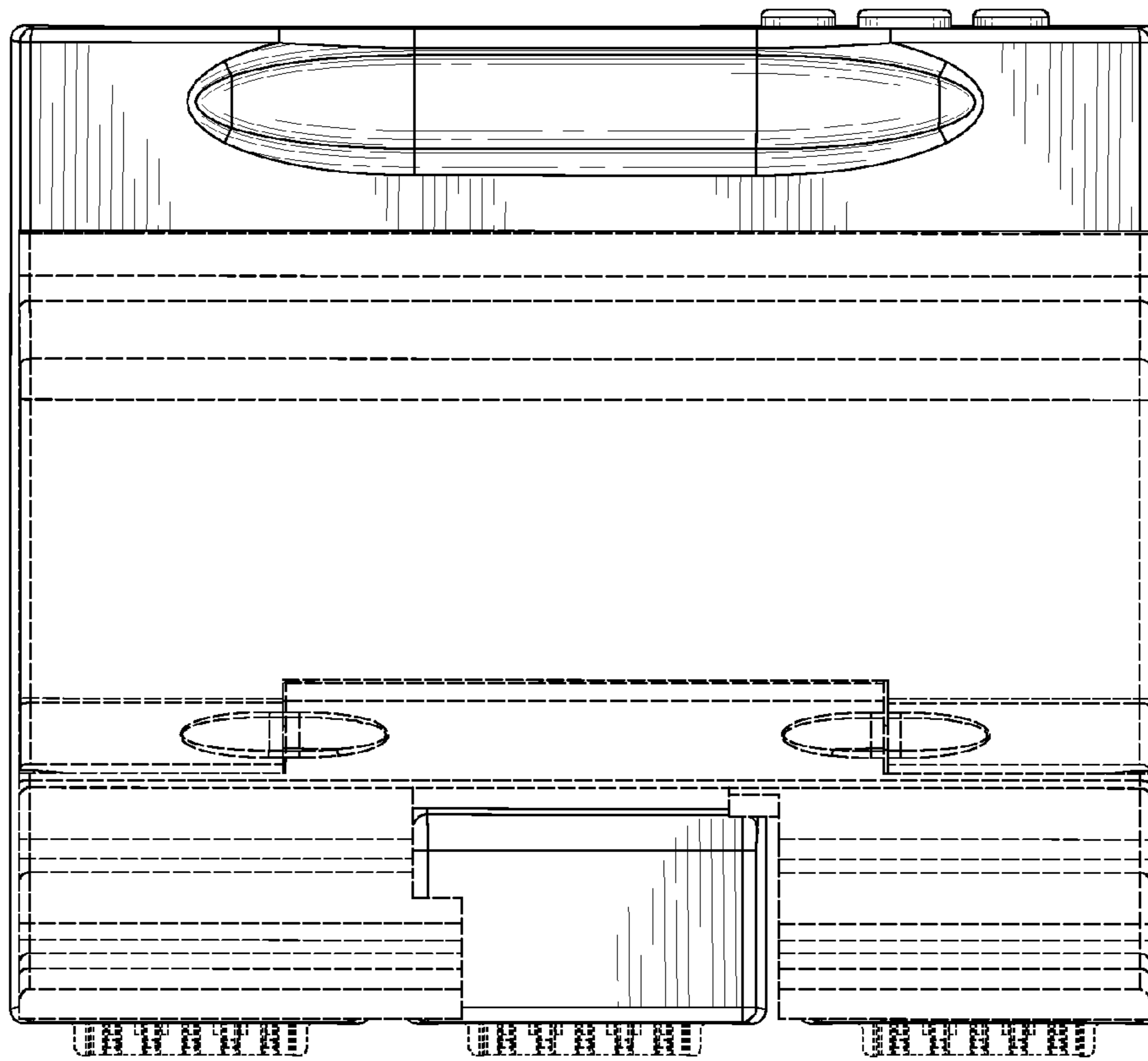


FIG. 5

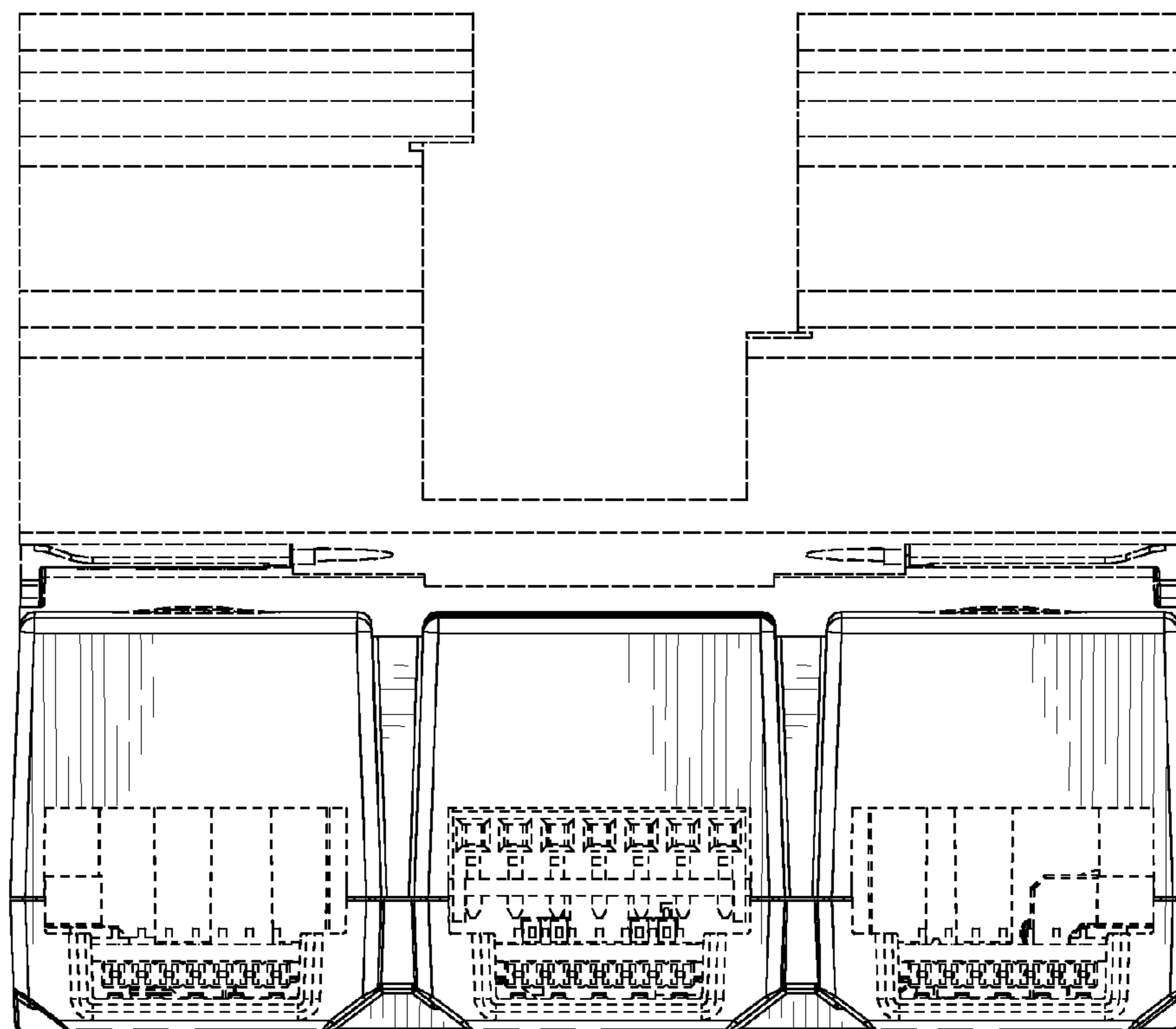


FIG. 6

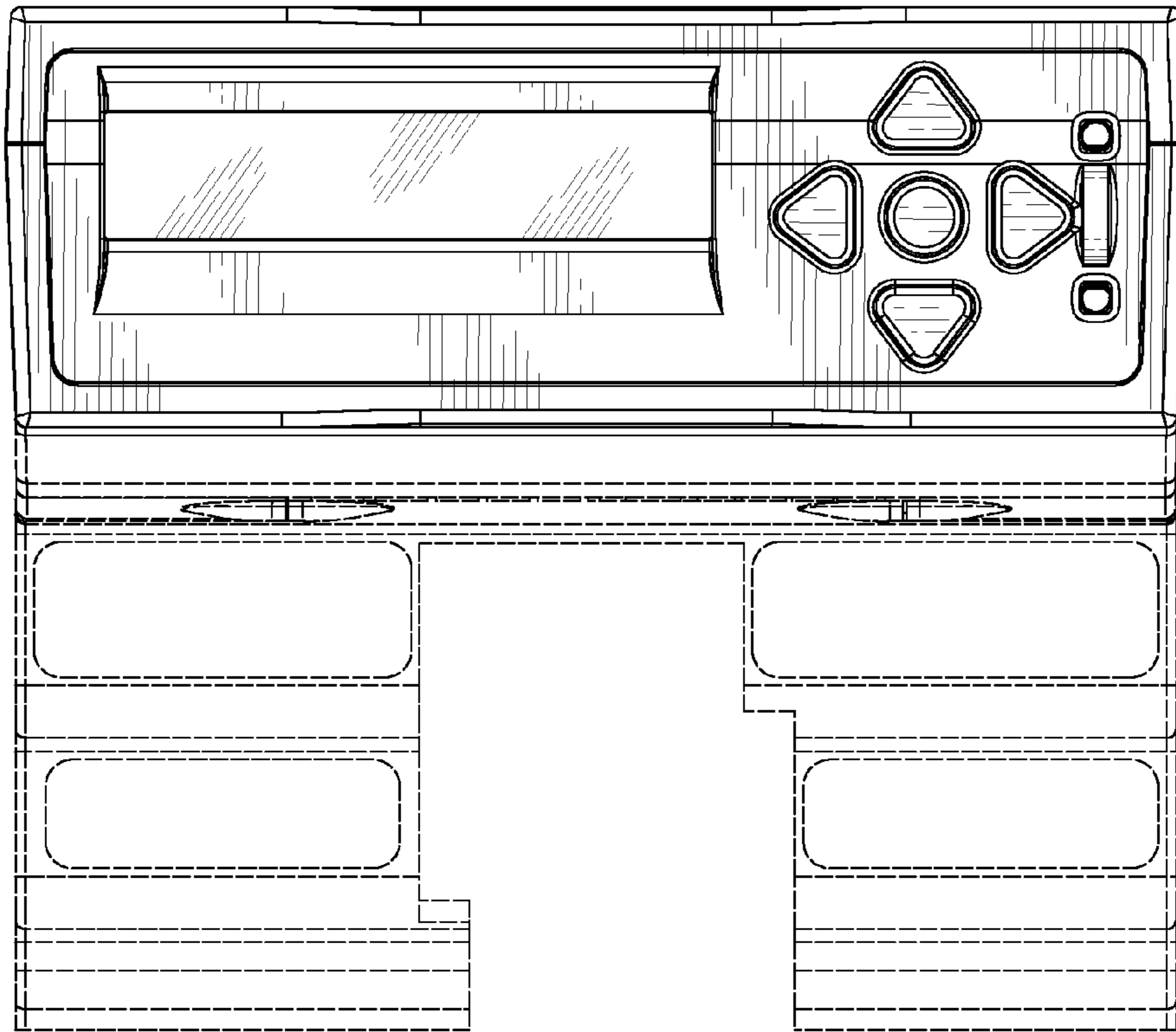


FIG. 7

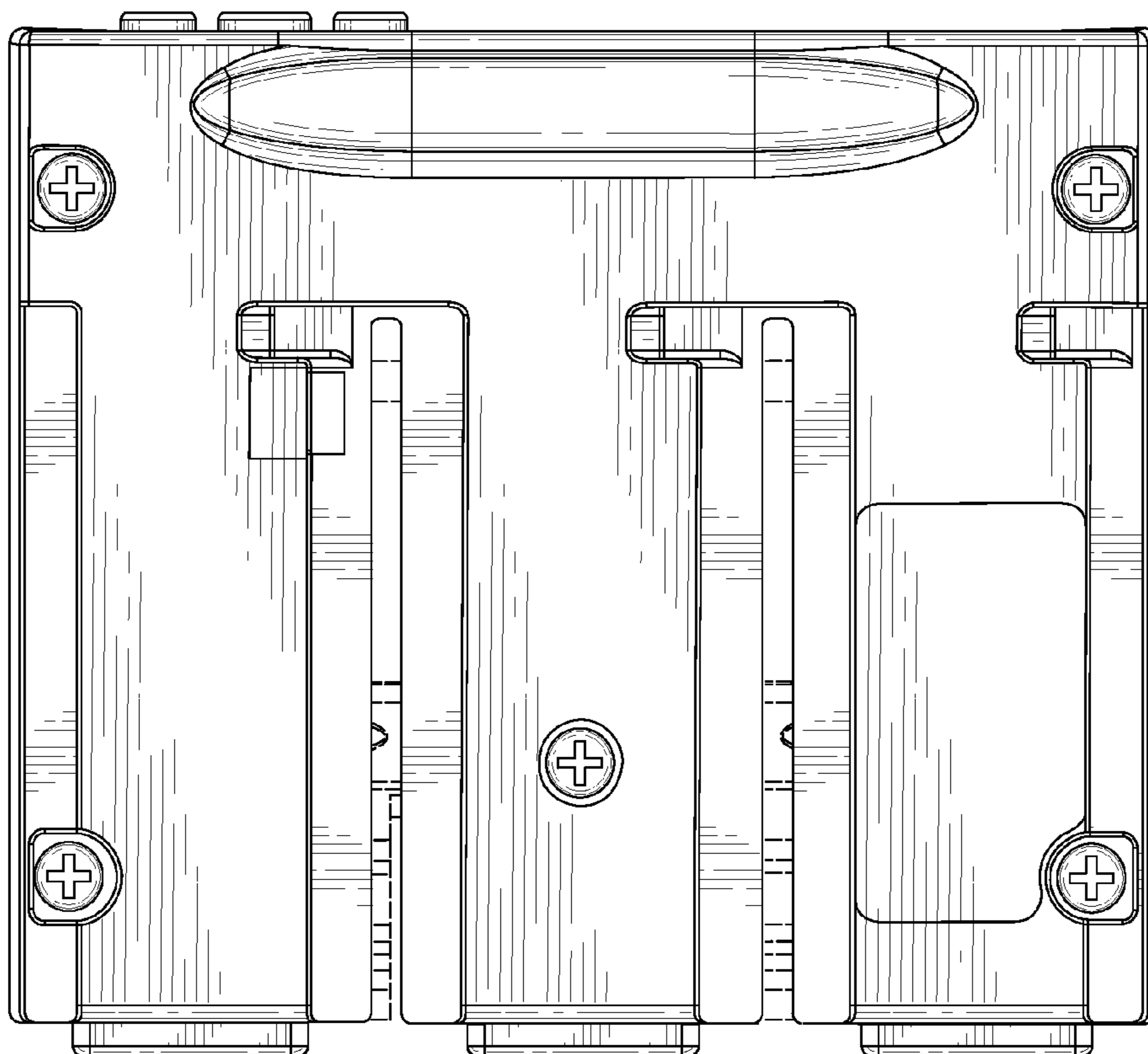


FIG. 8