



US00D668230S

(12) **United States Design Patent**  
**Chu**

(10) **Patent No.:** **US D668,230 S**

(45) **Date of Patent:** **\*\* Oct. 2, 2012**

(54) **CABLE MANAGEMENT COVER**

(75) Inventor: **Wai-Hong Chu**, Taikoo Shing (CN)

(73) Assignee: **Electric Miser (HK) Limited**, Hong Kong (HK)

(\*\*) Term: **14 Years**

(21) Appl. No.: **29/416,869**

(22) Filed: **Mar. 28, 2012**

(51) **LOC (9) Cl.** ..... **13-03**

(52) **U.S. Cl.** ..... **D13/156**

(58) **Field of Classification Search** ..... D13/156,  
D13/118, 120, 122, 123, 133, 153, 154, 155,  
D13/184, 199; 174/50, 60, 61, 64; 439/350,  
439/345, 358, 445, 606, 607.01, 607.41,  
439/607.44, 750

See application file for complete search history.

(56) **References Cited**

**U.S. PATENT DOCUMENTS**

D348,432 S \* 7/1994 Dubruco ..... D13/155  
6,084,180 A \* 7/2000 DeBartolo et al. .... 174/95  
D429,485 S \* 8/2000 Munch et al. .... D13/156  
D483,334 S \* 12/2003 Caswell ..... D13/155

D591,245 S \* 4/2009 Iijima ..... D13/156  
D602,764 S \* 10/2009 Pae et al. .... D8/356  
D619,101 S \* 7/2010 Motard et al. .... D13/156  
D626,515 S \* 11/2010 Winer ..... D13/155

\* cited by examiner

*Primary Examiner* — Derrick Holland

(74) *Attorney, Agent, or Firm* — Douglas Denninger

(57) **CLAIM**

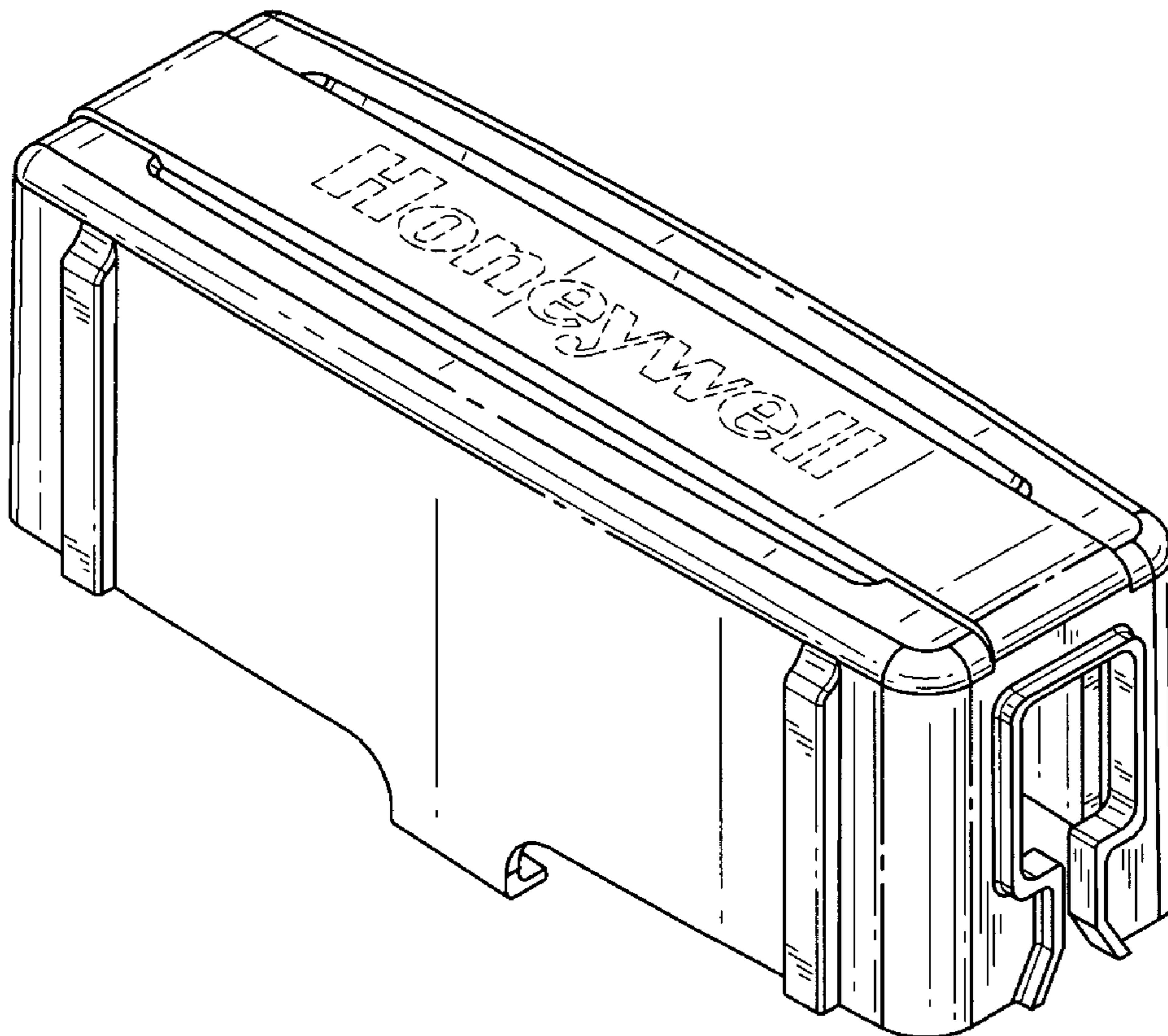
I claim the ornamental design for a cable management cover, as shown and described.

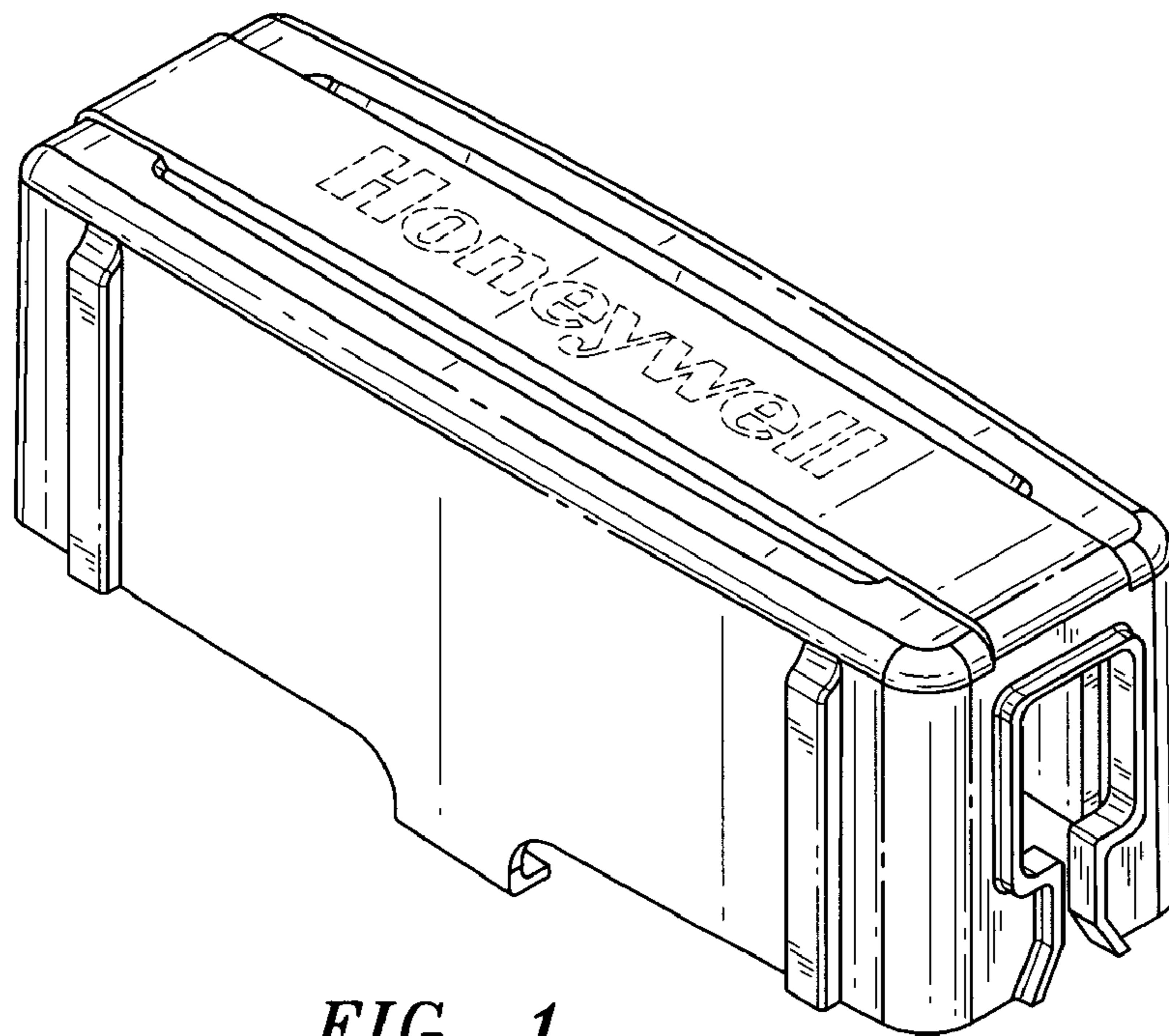
**DESCRIPTION**

FIG. 1 is an upper perspective view of a cable management cover showing my new design;  
FIG. 2 is a lower perspective view thereof;  
FIG. 3 is a rear elevation view thereof;  
FIG. 4 is a front elevation view thereof;  
FIG. 5 is a right side elevation view thereof;  
FIG. 6 is a left side elevation view thereof;  
FIG. 7 is a top plan view thereof; and,  
FIG. 8 is a bottom plan view thereof.

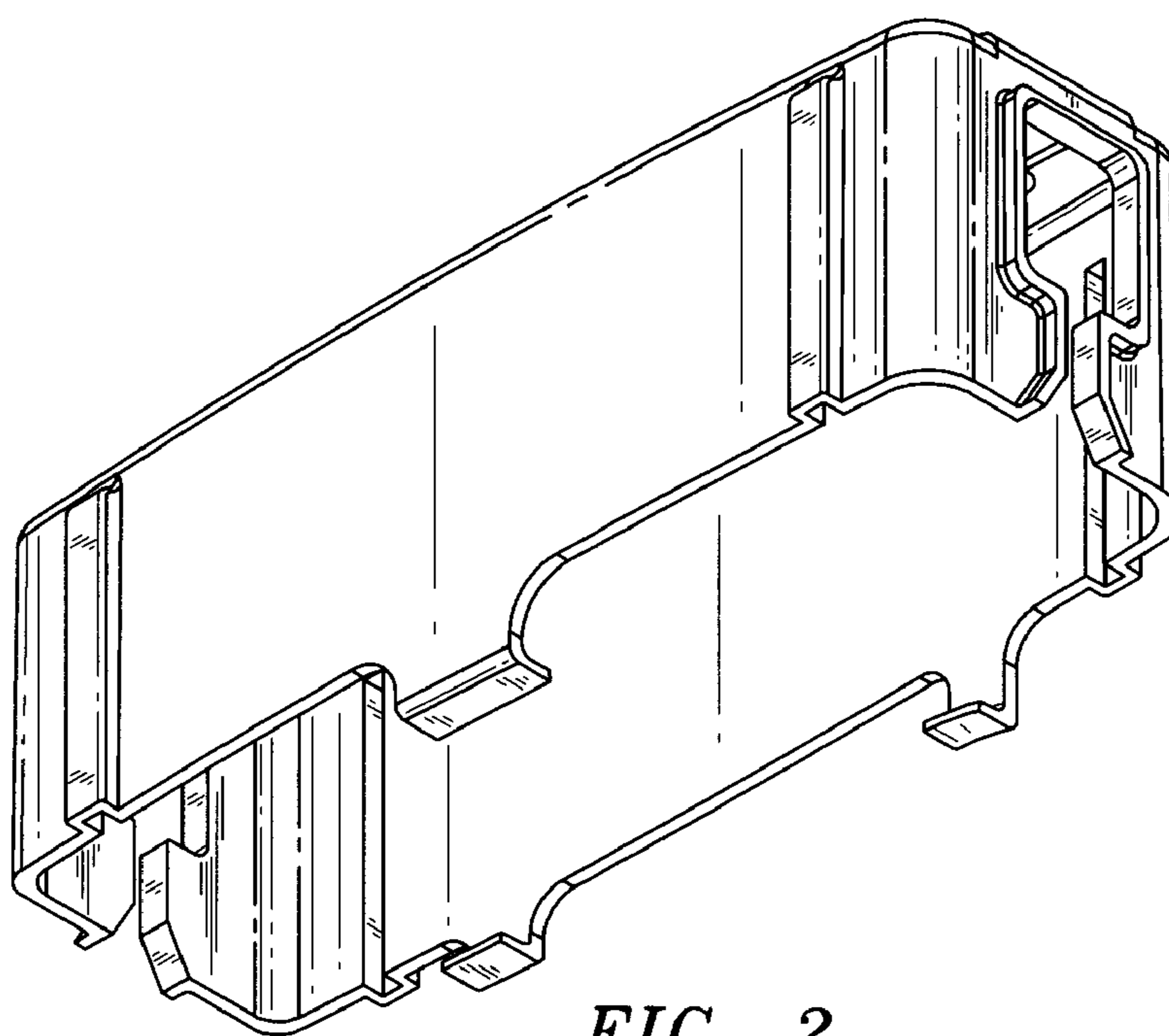
The broken lines shown represent unclaimed subject matter and form no part of the claimed design.

**1 Claim, 4 Drawing Sheets**

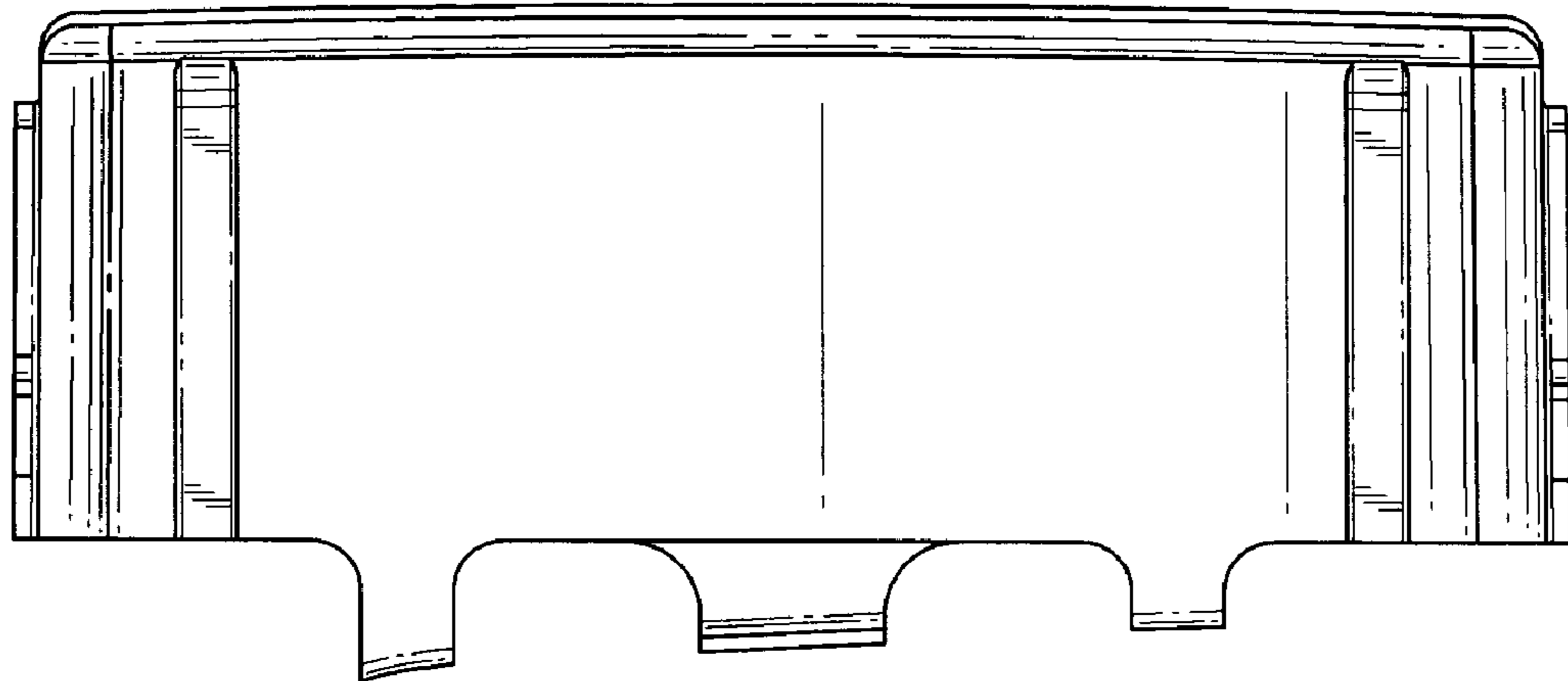




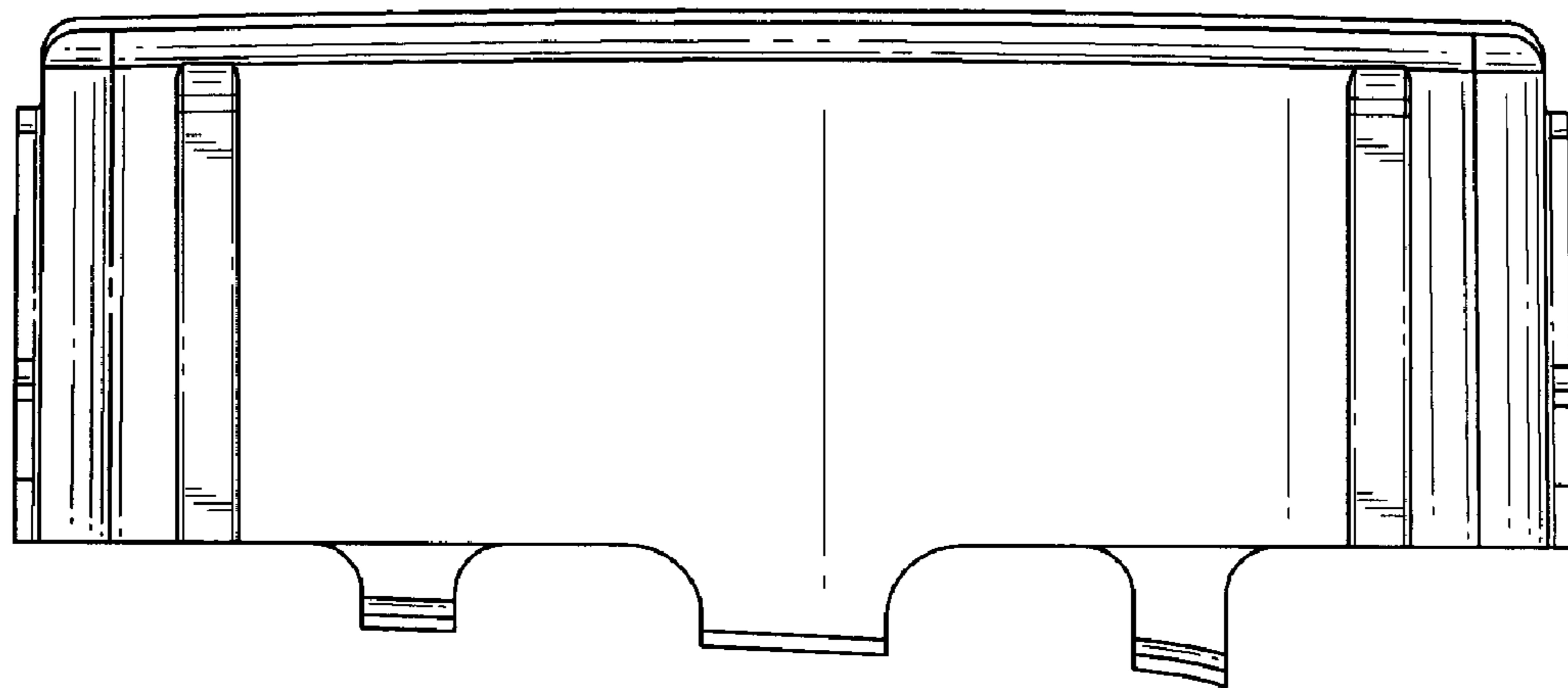
*FIG. 1*



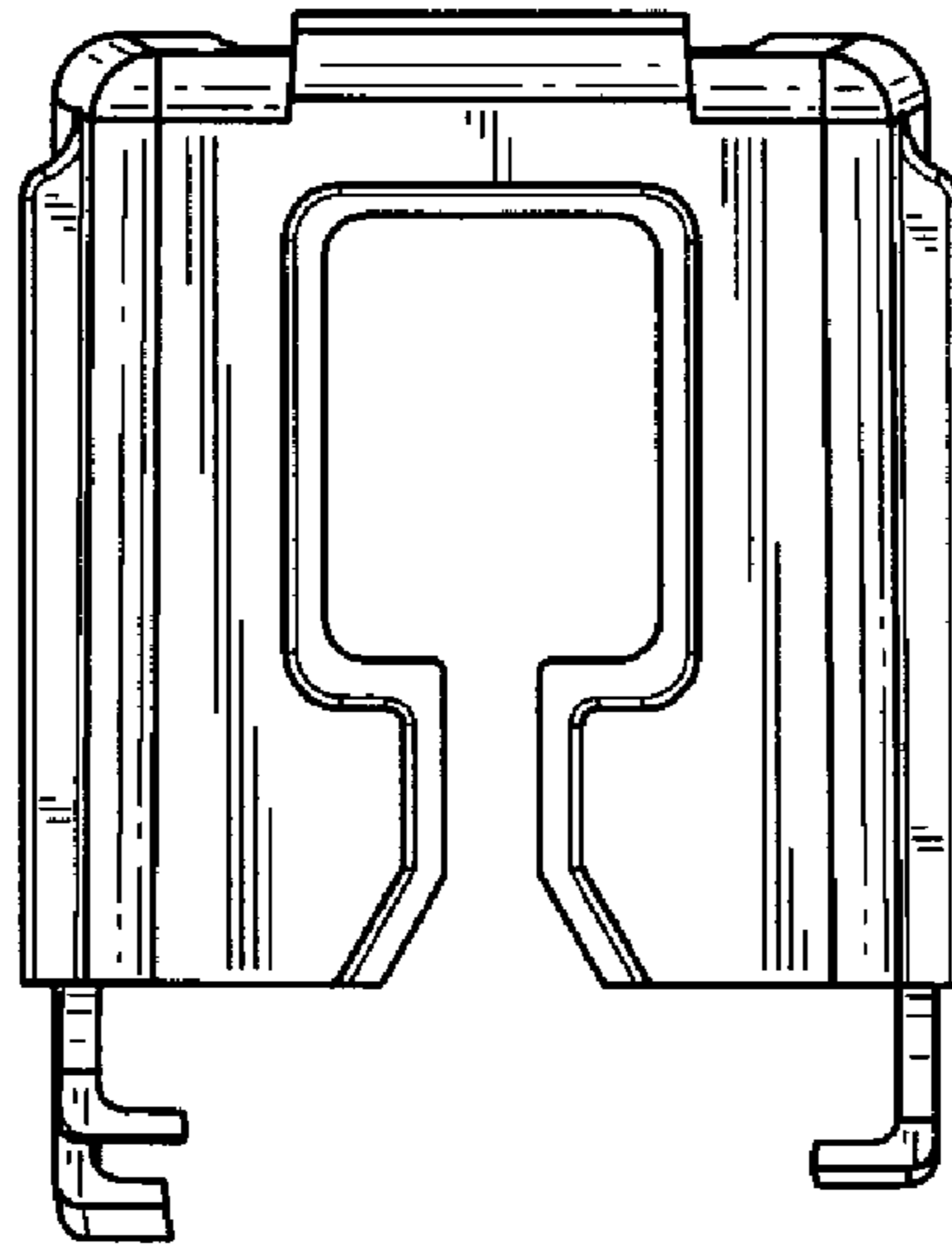
*FIG. 2*



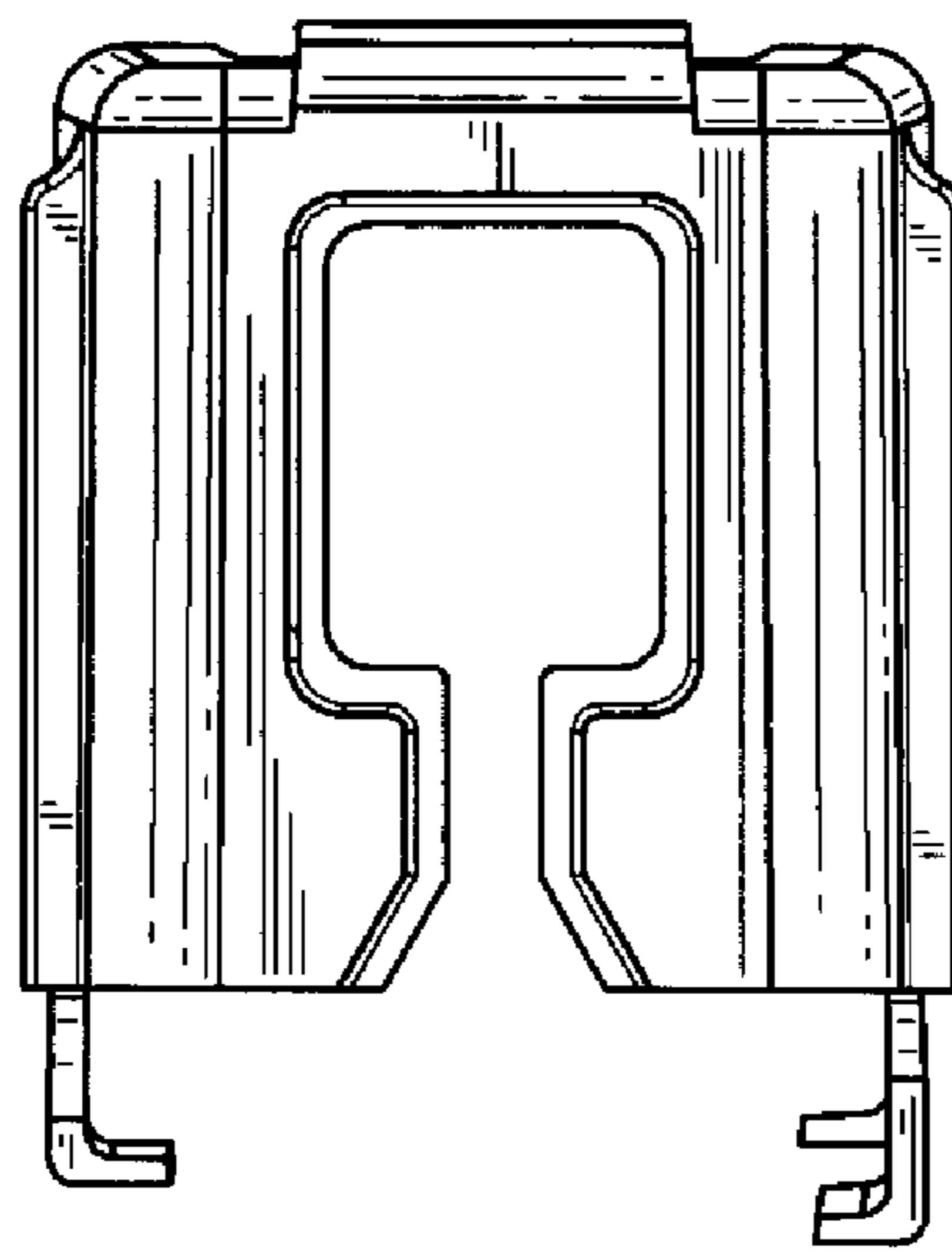
*FIG. 3*



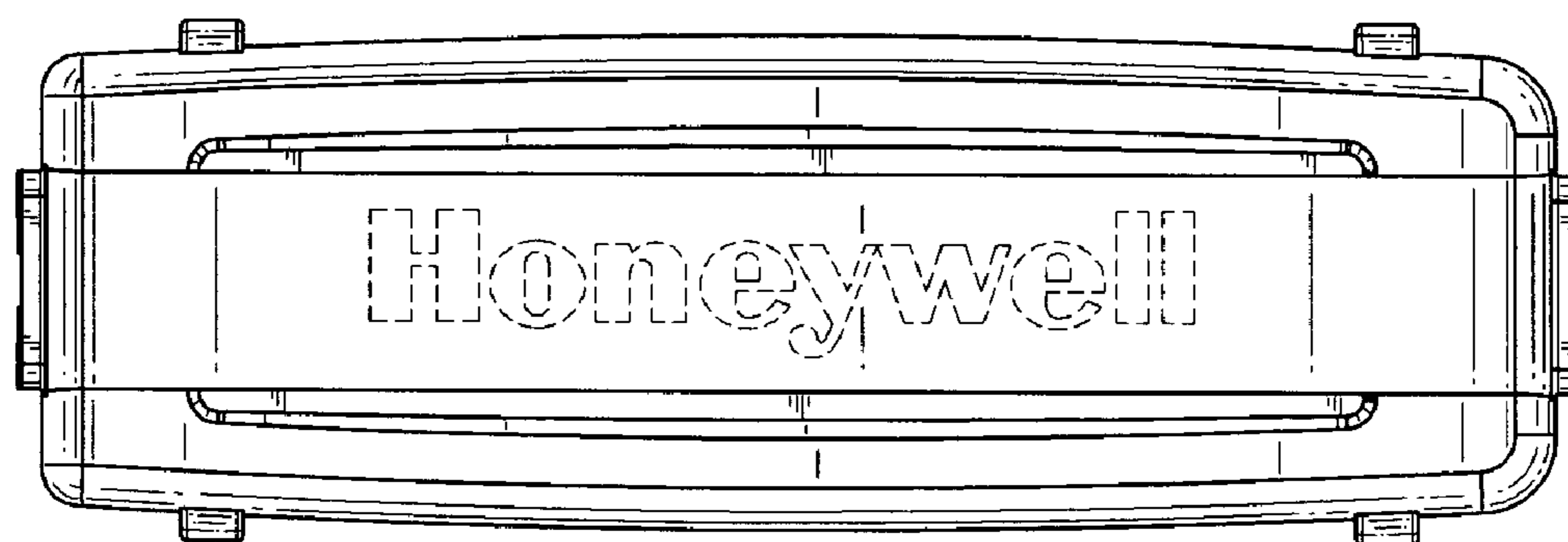
*FIG. 4*



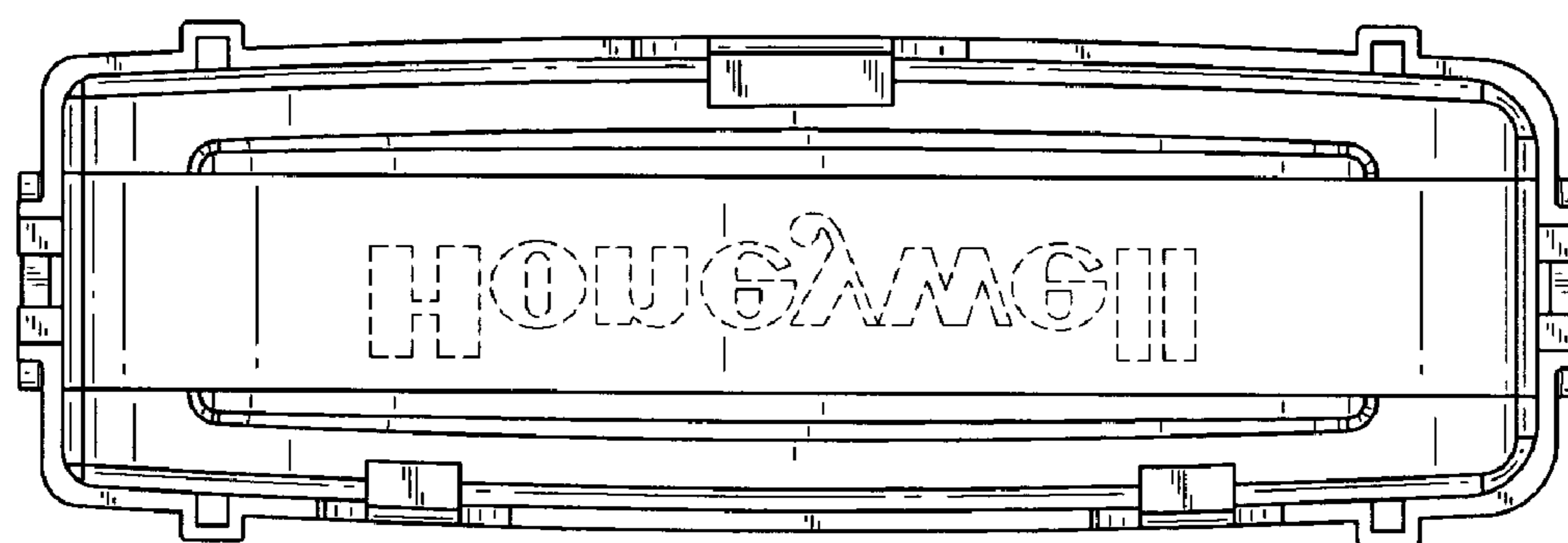
*FIG. 5*



*FIG. 6*



*FIG. 7*



*FIG. 8*