

US00D668229S

(12) **United States Design Patent**
Lee

(10) **Patent No.:** **US D668,229 S**
(45) **Date of Patent:** **** Oct. 2, 2012**

(54) **CABLE DRUM WITH PLUG RECEPTOR**

(75) Inventor: **Peter Geoffrey Lee**, Essex (GB)

(73) Assignees: **Peter Geoffery Lee**, Essex (GB); **Paul Williams Paine**, Essex (GB); **Eddie Edwards**, Essex (GB)

(**) Term: **14 Years**

(21) Appl. No.: **29/380,918**

(22) Filed: **Dec. 13, 2010**

(51) **LOC (9) Cl.** **13-03**

(52) **U.S. Cl.** **D13/155**

(58) **Field of Classification Search** D13/155,
D13/133, 149, 150, 153, 154, 156, 157, 158,
D13/184, 199; D8/349, 356, 358, 359; 242/118,
242/170, 176, 395, 600, 604, 608.2; 248/49,
248/63, 71, 74.4, 229.1, 229.11, 309.1; 439/501
See application file for complete search history.

(56) **References Cited**

U.S. PATENT DOCUMENTS

D274,884 S * 7/1984 Freitag D8/359
D401,907 S * 12/1998 Gazerro D13/155

6,164,582 A * 12/2000 Vara 242/395
D444,452 S * 7/2001 Smith D13/154
D446,505 S * 8/2001 Wakileh et al. D13/155
D518,791 S * 4/2006 Kiely D13/153
D530,286 S * 10/2006 Phung et al. D13/156
D539,230 S * 3/2007 Jordan D13/155

* cited by examiner

Primary Examiner — Derrick Holland

(74) *Attorney, Agent, or Firm* — Andrus, Scales, Starke & Sawall, LLP

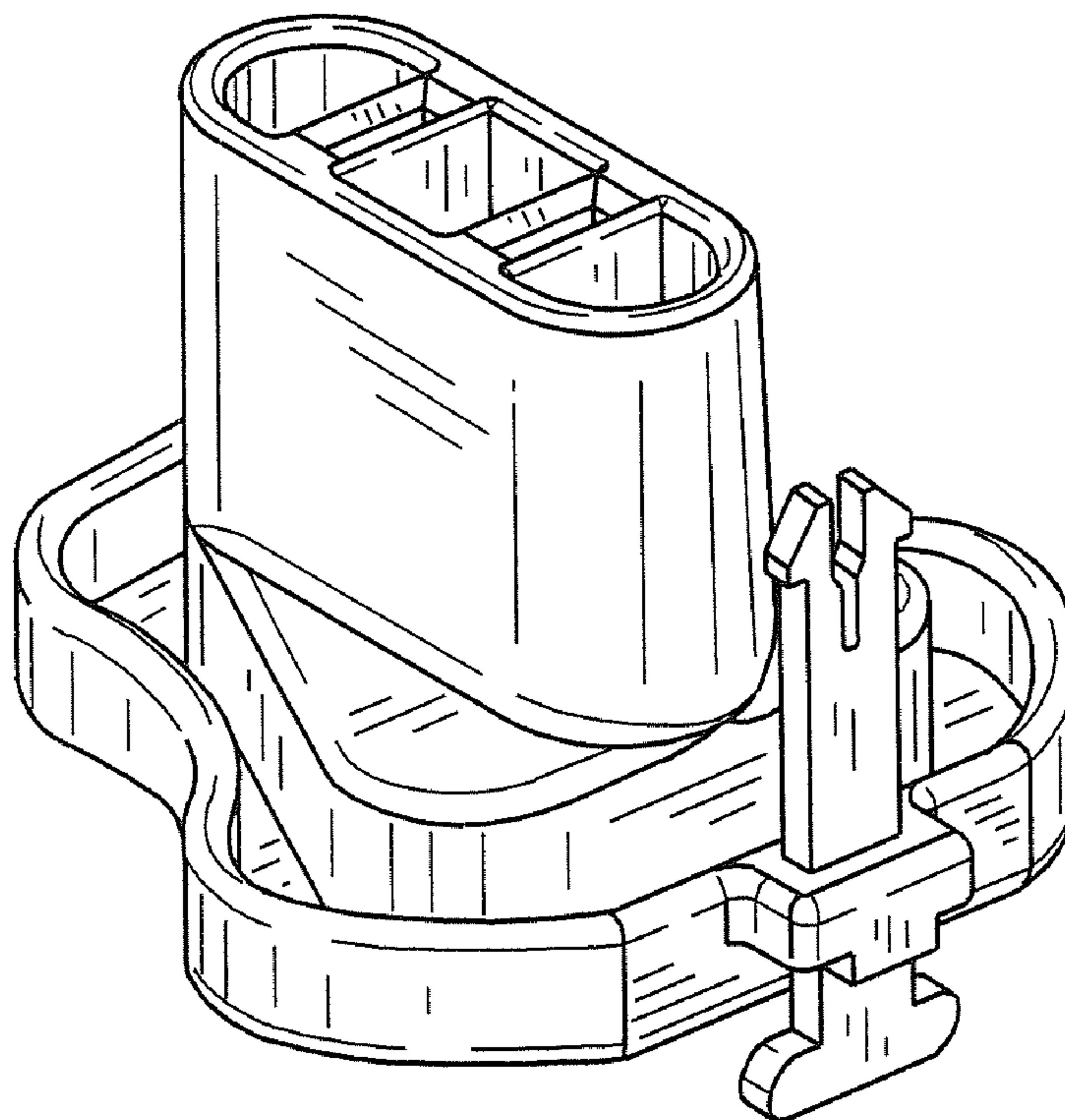
(57) **CLAIM**

The ornamental design for a cable drum with plug receptor, as shown and described.

DESCRIPTION

FIG. 1 is a perspective rear view of the cable drum with plug receptor;
FIG. 2 is a perspective front view of the cable drum with plug receptor;
FIG. 3 is a front view of the cable drum with plug receptor;
FIG. 4 is a side view of the cable drum with plug receptor;
and,
FIG. 5 is a top view of the cable drum with plug receptor.

1 Claim, 5 Drawing Sheets



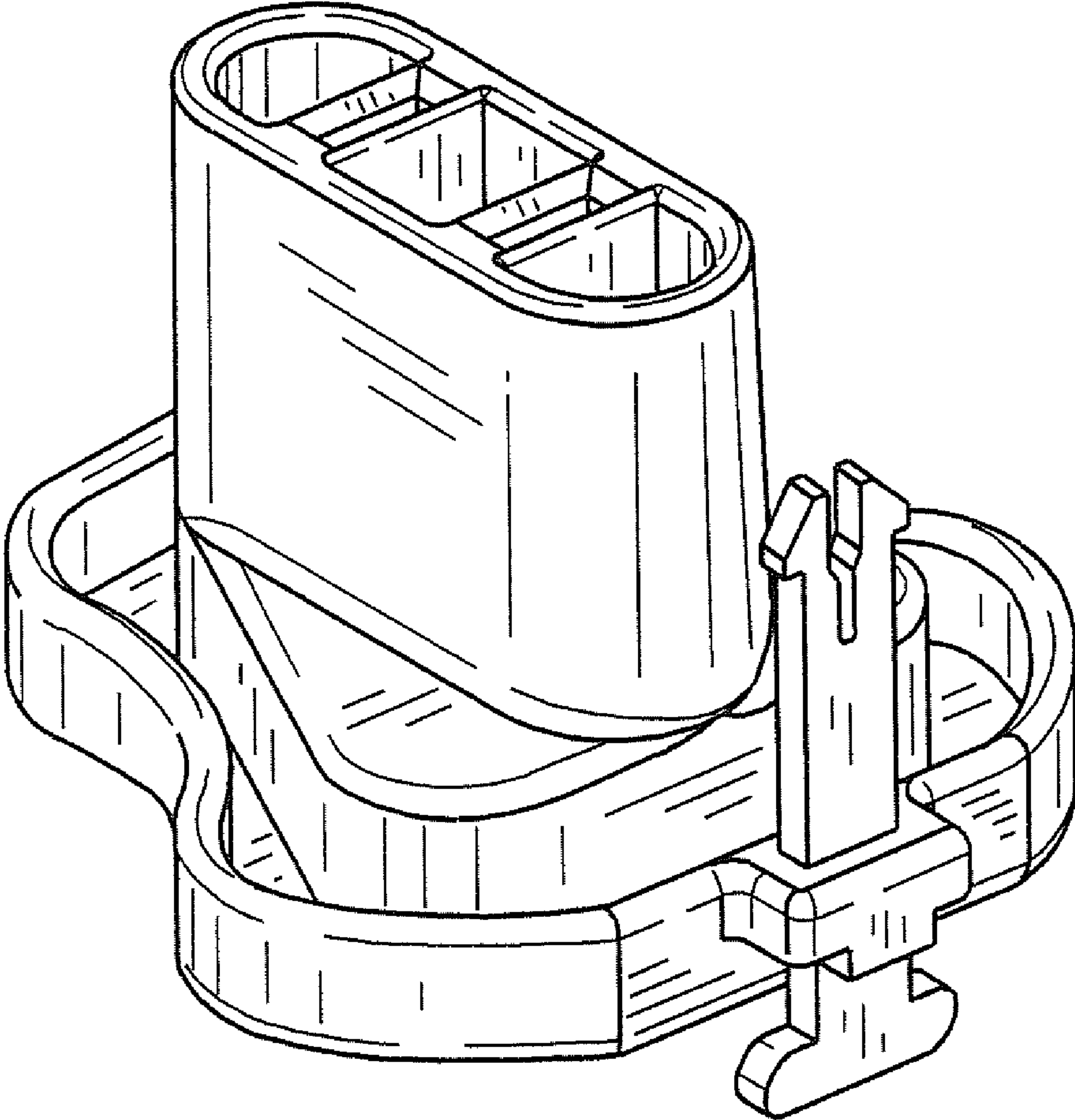


FIG. 1

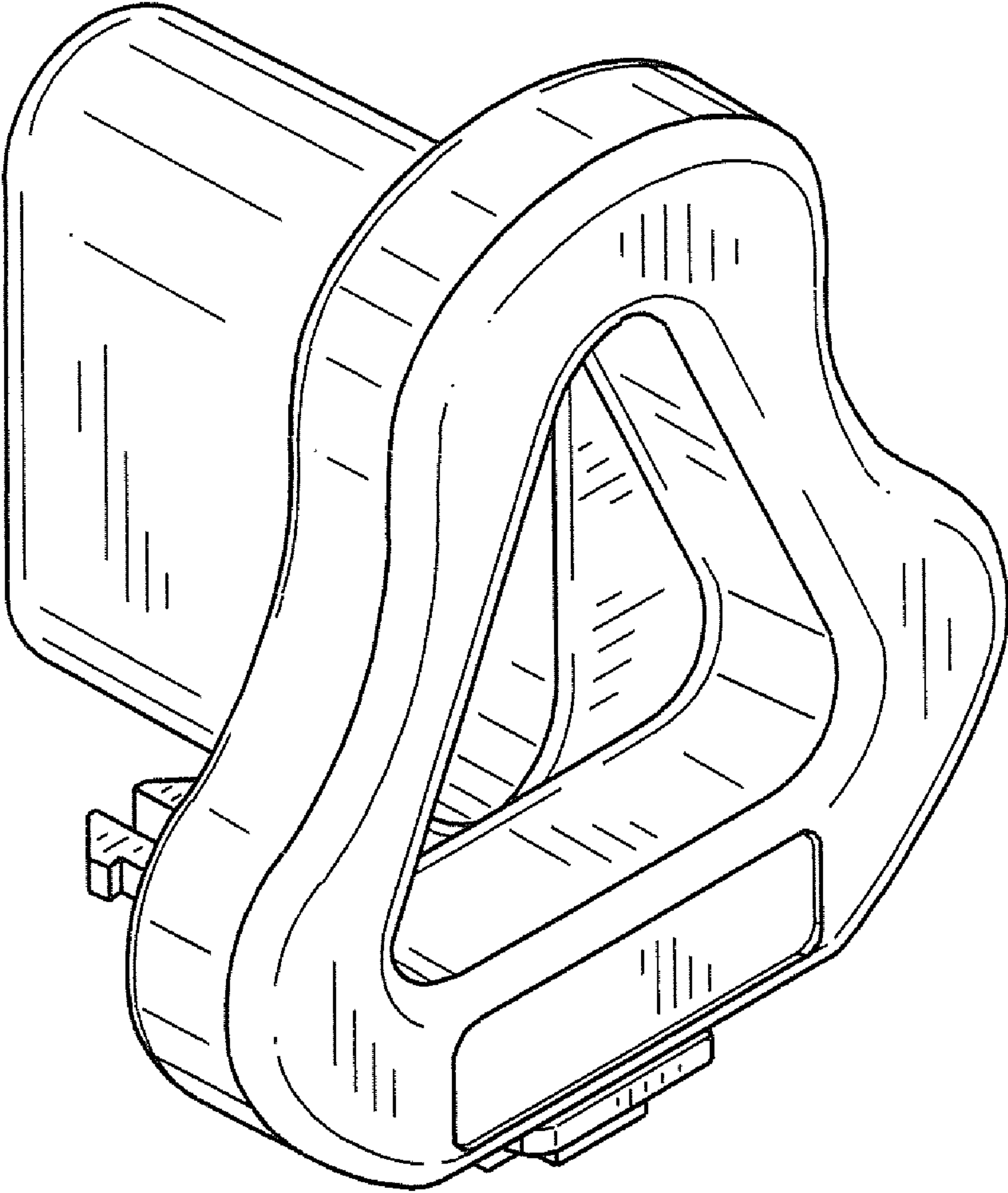


FIG. 2

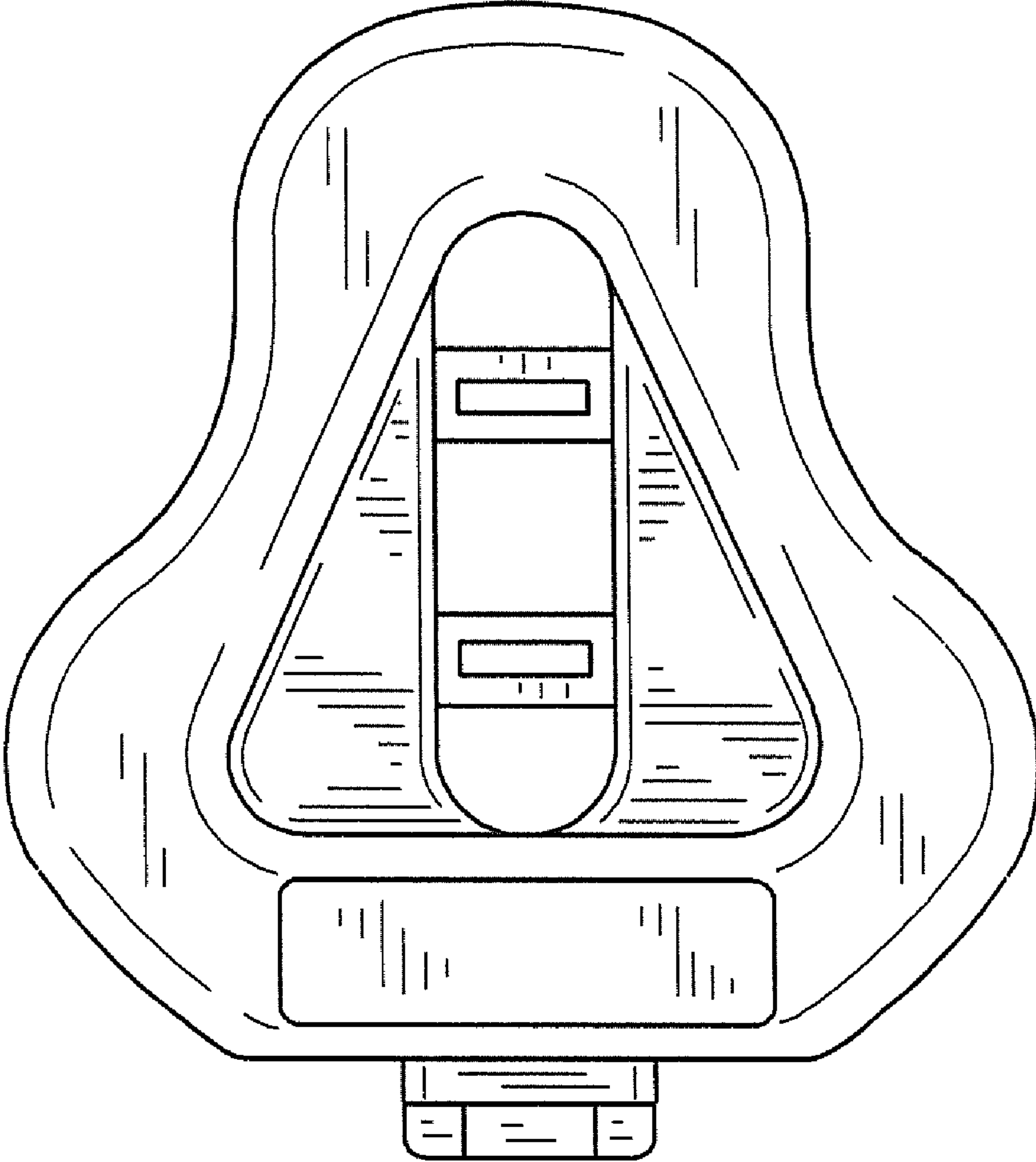


FIG. 3

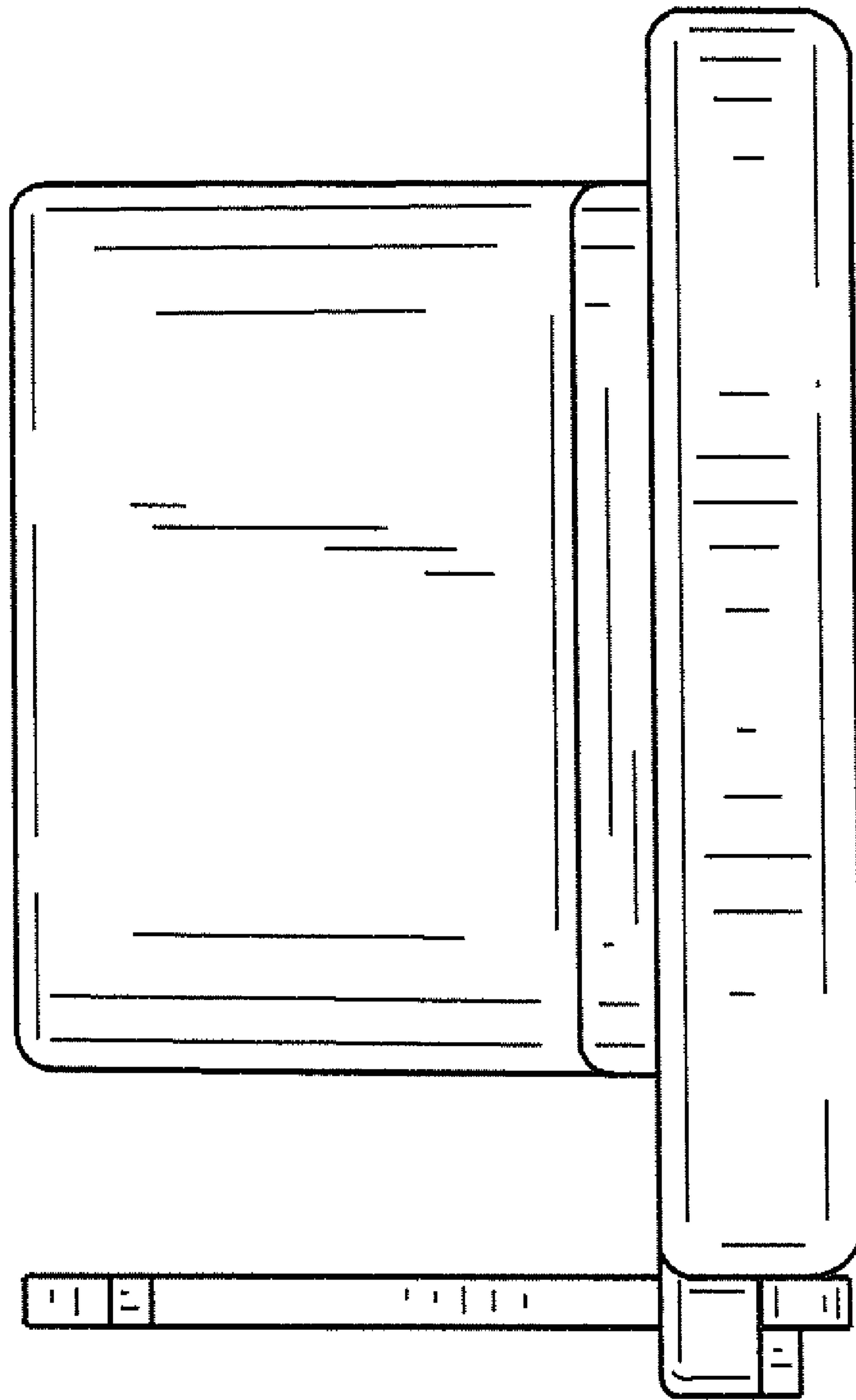


FIG. 4

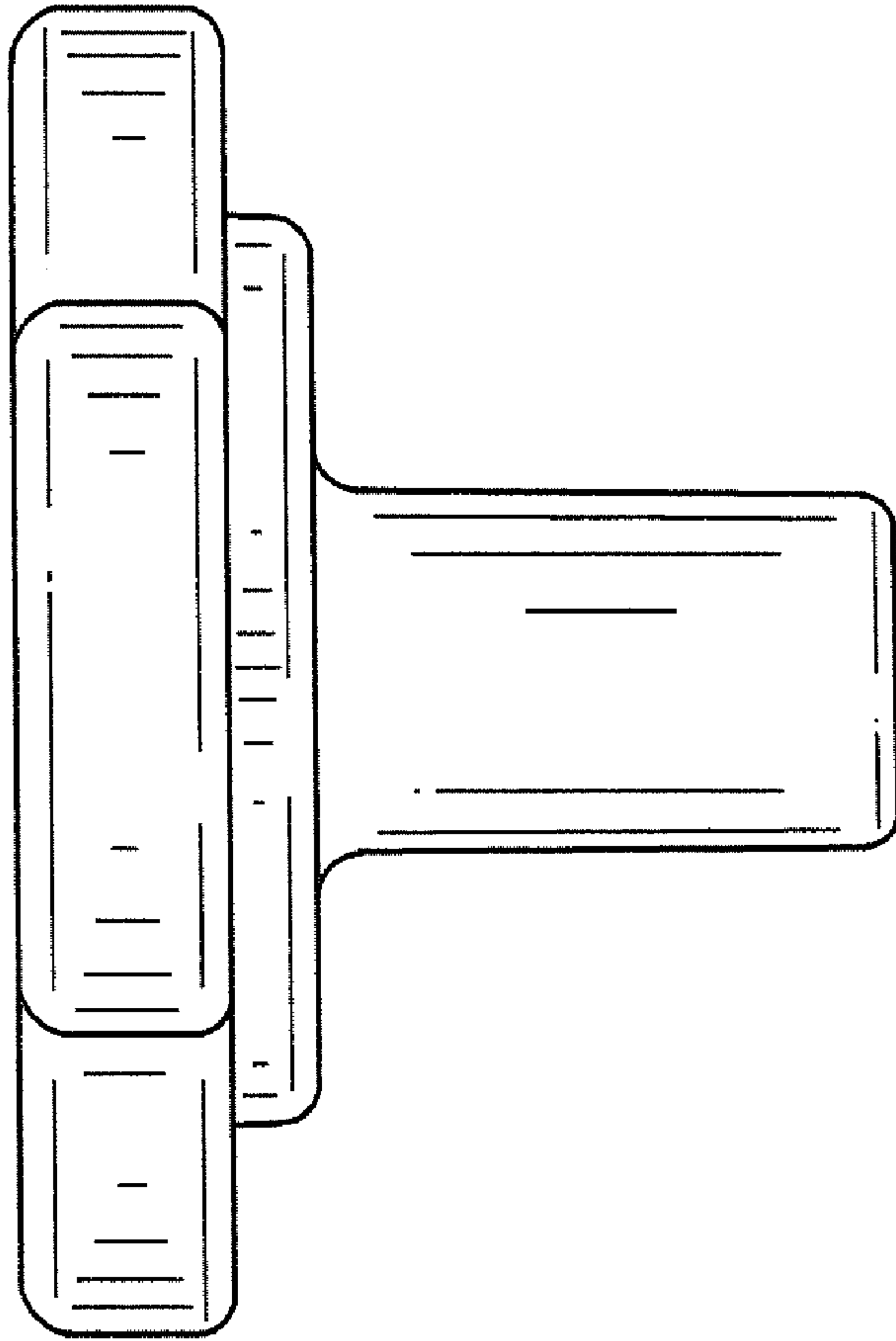


FIG. 5