

US00D668227S

(12) **United States Design Patent**
Chartrand et al.

(10) **Patent No.:** **US D668,227 S**

(45) **Date of Patent:** **** Oct. 2, 2012**

(54) **ELECTRICAL CONNECTOR**

(75) Inventors: **Mathieu Chartrand**, Léry (CA);
Frédéric Boucher, Lemoyne (CA);
Christopher Warnock, Beaconsfield
(CA); **Carlos Carpintero**, Saint-Laurent
(CA)

(73) Assignee: **Nii Northern International Inc.**,
Ontario (CA)

(**) Term: **14 Years**

(21) Appl. No.: **29/402,055**

(22) Filed: **Sep. 20, 2011**

Related U.S. Application Data

(63) Continuation of application No. 29/357,723, filed on
Mar. 16, 2010, now Pat. No. Des. 645,408.

(51) **LOC (9) Cl.** **13-03**

(52) **U.S. Cl.** **D13/154**

(58) **Field of Classification Search** D13/133,
D13/147, 154, 184, 199; 439/839, 849–850,
439/852, 862, 870, 877, 884–885, 887–891
See application file for complete search history.

(56) **References Cited**

U.S. PATENT DOCUMENTS

6,450,844 B1 * 9/2002 Mizumura et al. 439/884
D603,804 S * 11/2009 Urano D13/154

7,740,511 B2 * 6/2010 Katano 439/816
D636,344 S * 4/2011 Naito D13/154
2010/0002419 A1 * 1/2010 Naito 362/97.1
2010/0203752 A1 * 8/2010 Urano 439/265
2010/0267289 A1 * 10/2010 Urano 439/733.1

* cited by examiner

Primary Examiner — Daniel Bui

(74) *Attorney, Agent, or Firm* — McAndrews, Held &
Malloy, Ltd.

(57) **CLAIM**

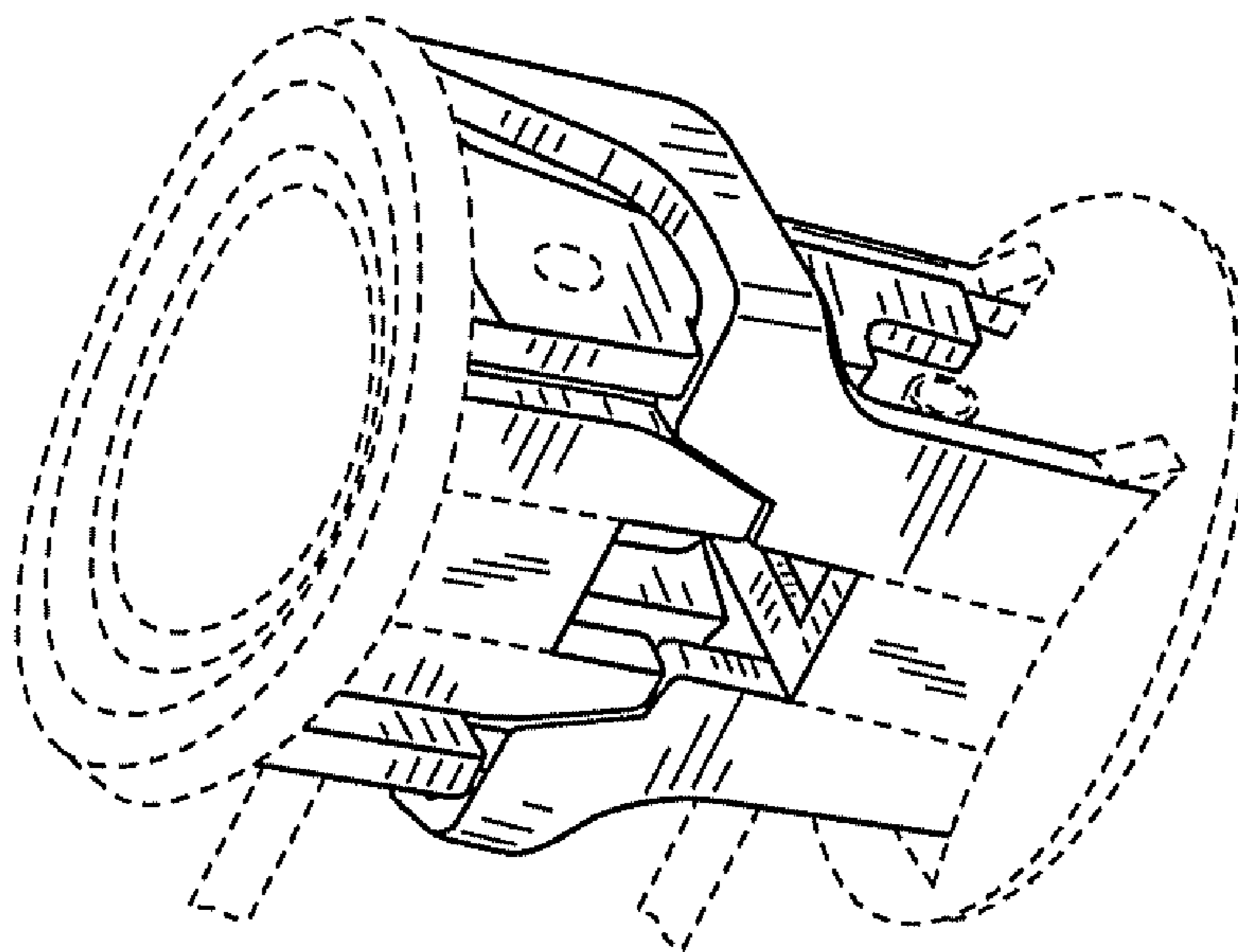
The ornamental design for a electrical connector, as shown
and described.

DESCRIPTION

FIG. 1 is a front perspective view of our new design for an
electrical connector;
FIG. 2 is another front perspective view thereof;
FIG. 3 is a front elevation view thereof;
FIG. 4 is a back elevation view thereof;
FIG. 5 is a right-side elevation view thereof;
FIG. 6 is a left-side elevation view thereof;
FIG. 7 is top plan view thereof;
FIG. 8 is a bottom plan view thereof; and,
FIG. 9 is a back perspective view thereof.

The broken lines in the drawings are included for the purpose
of illustrating environmental subject matter and form no part
of the claimed design.

1 Claim, 2 Drawing Sheets



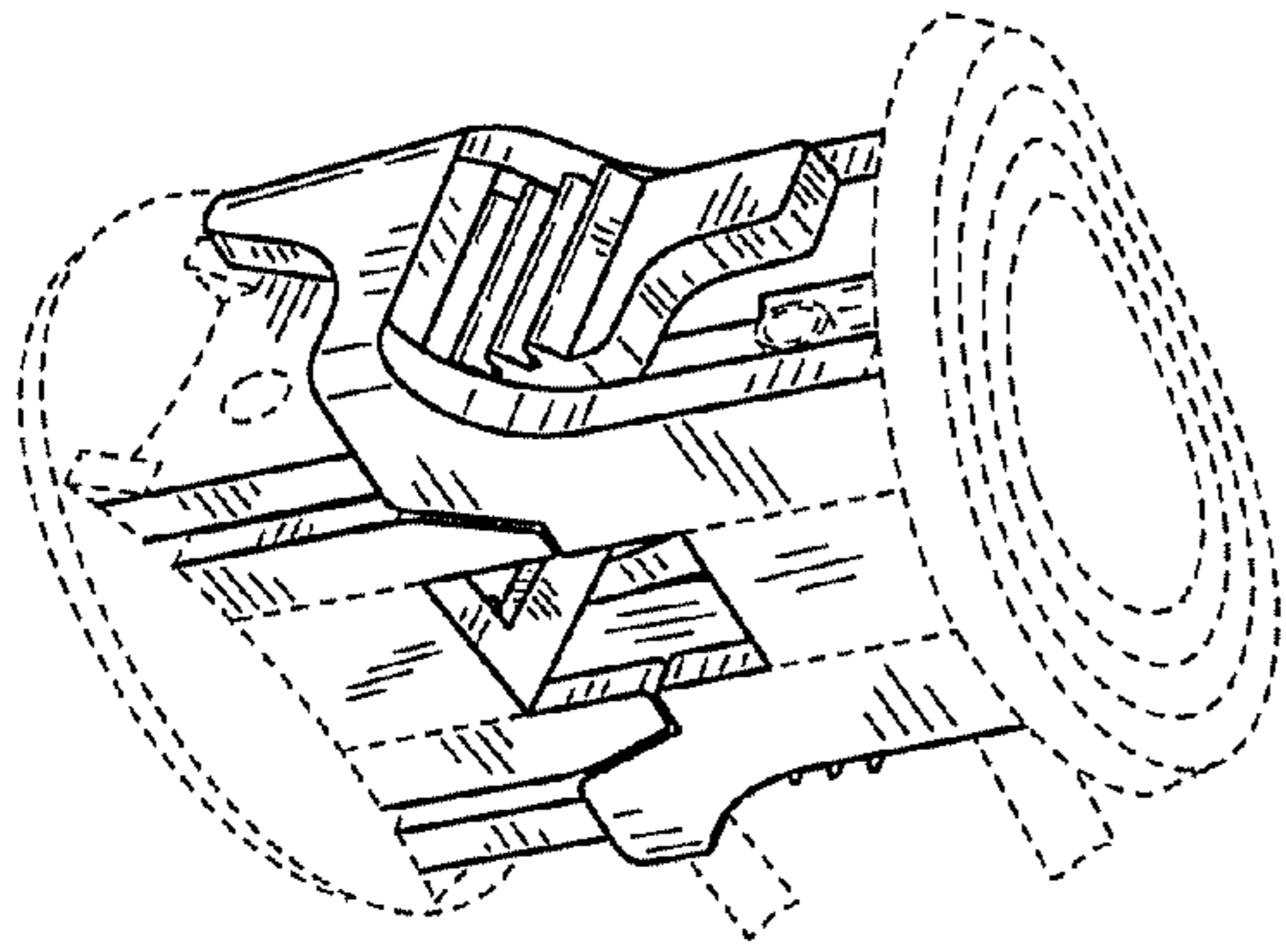


FIG. 1

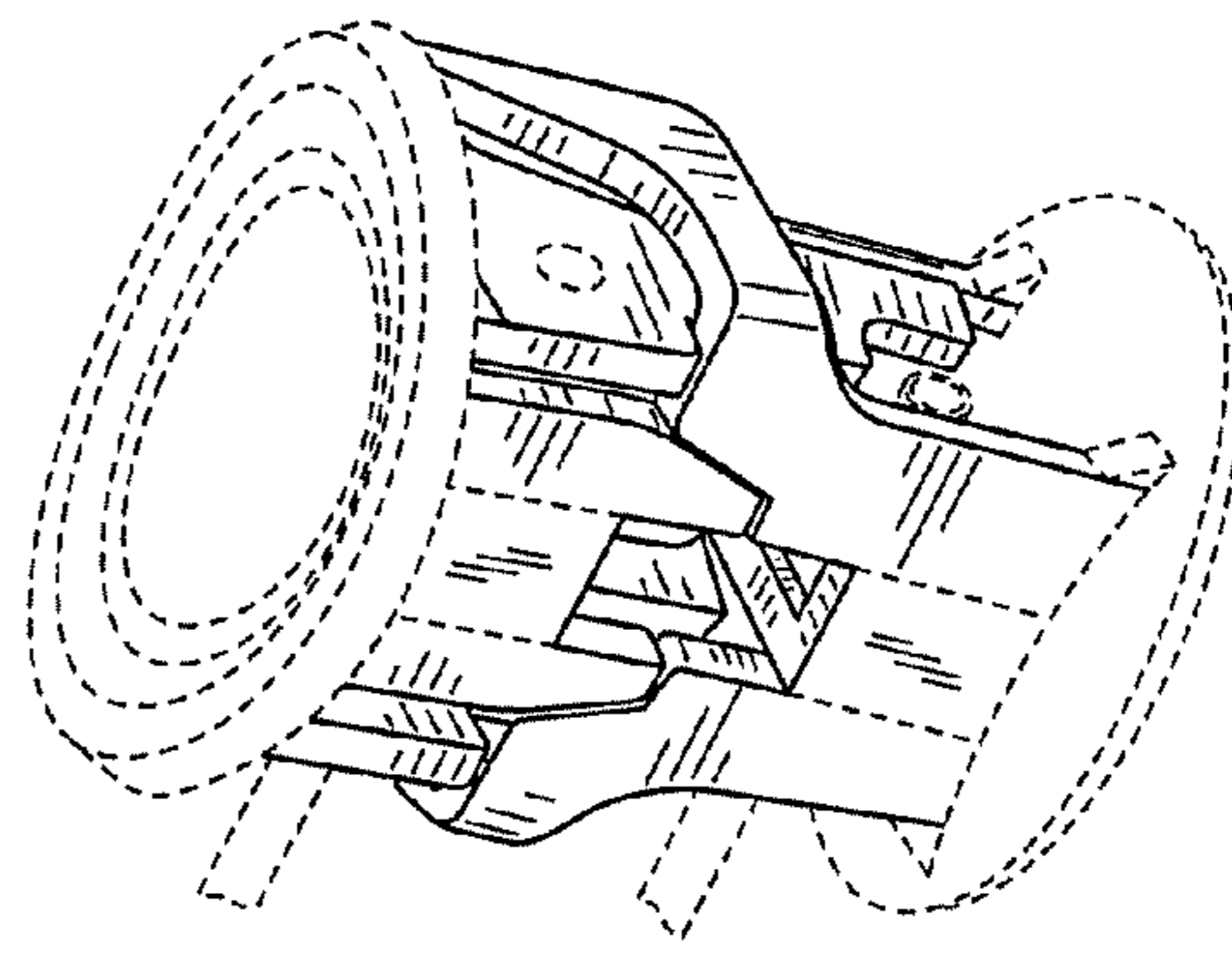


FIG. 2

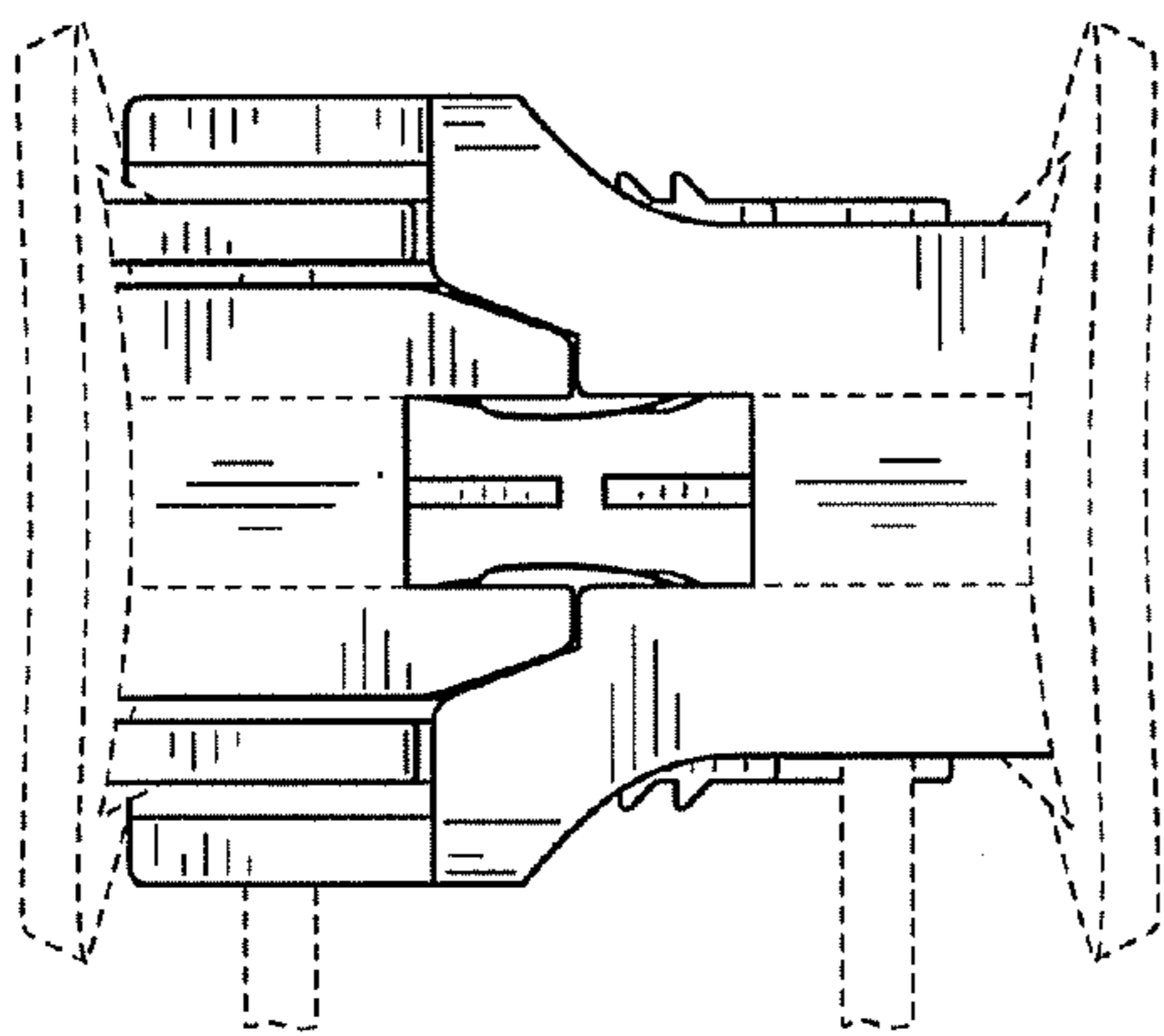


FIG. 3

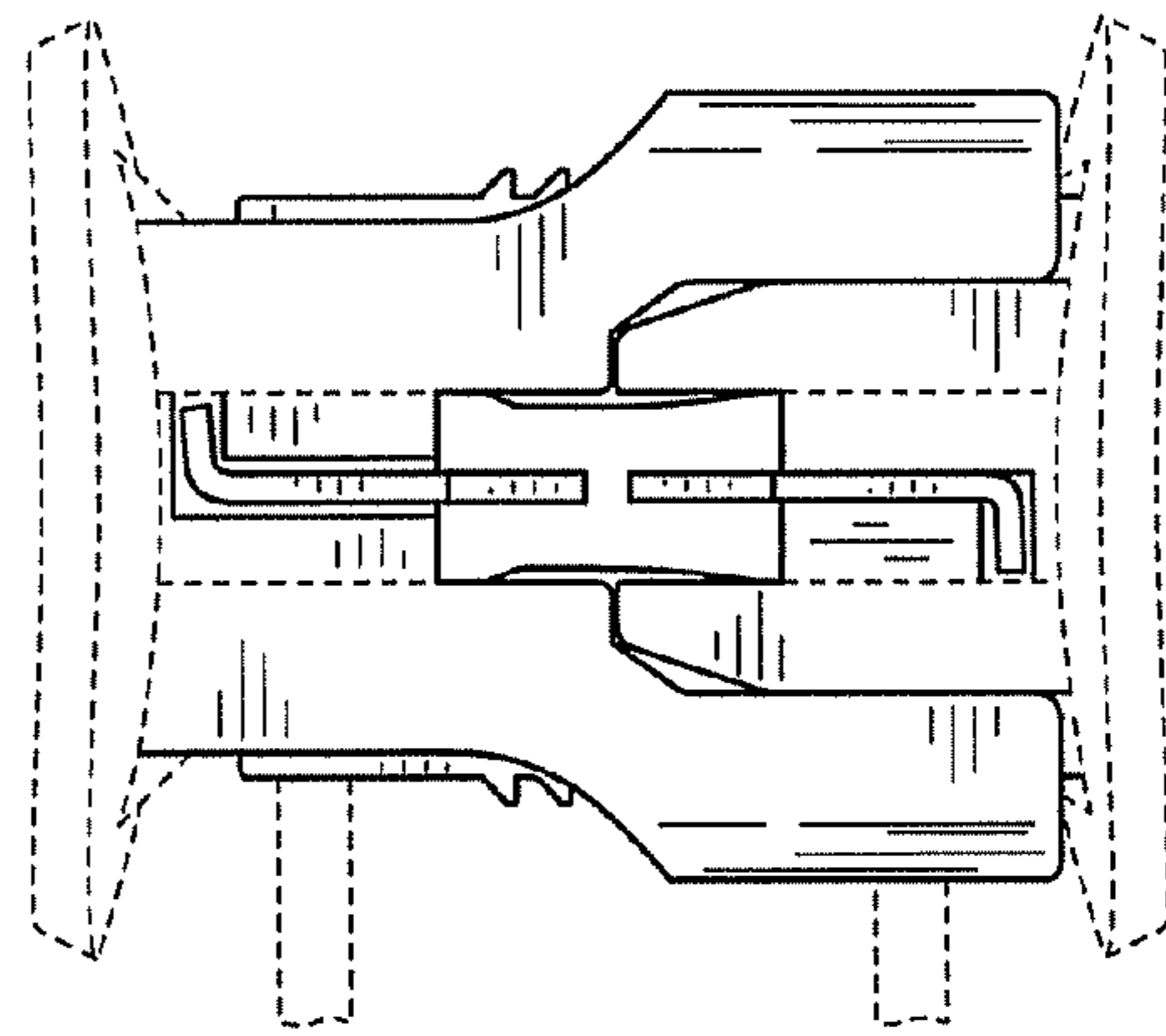


FIG. 4

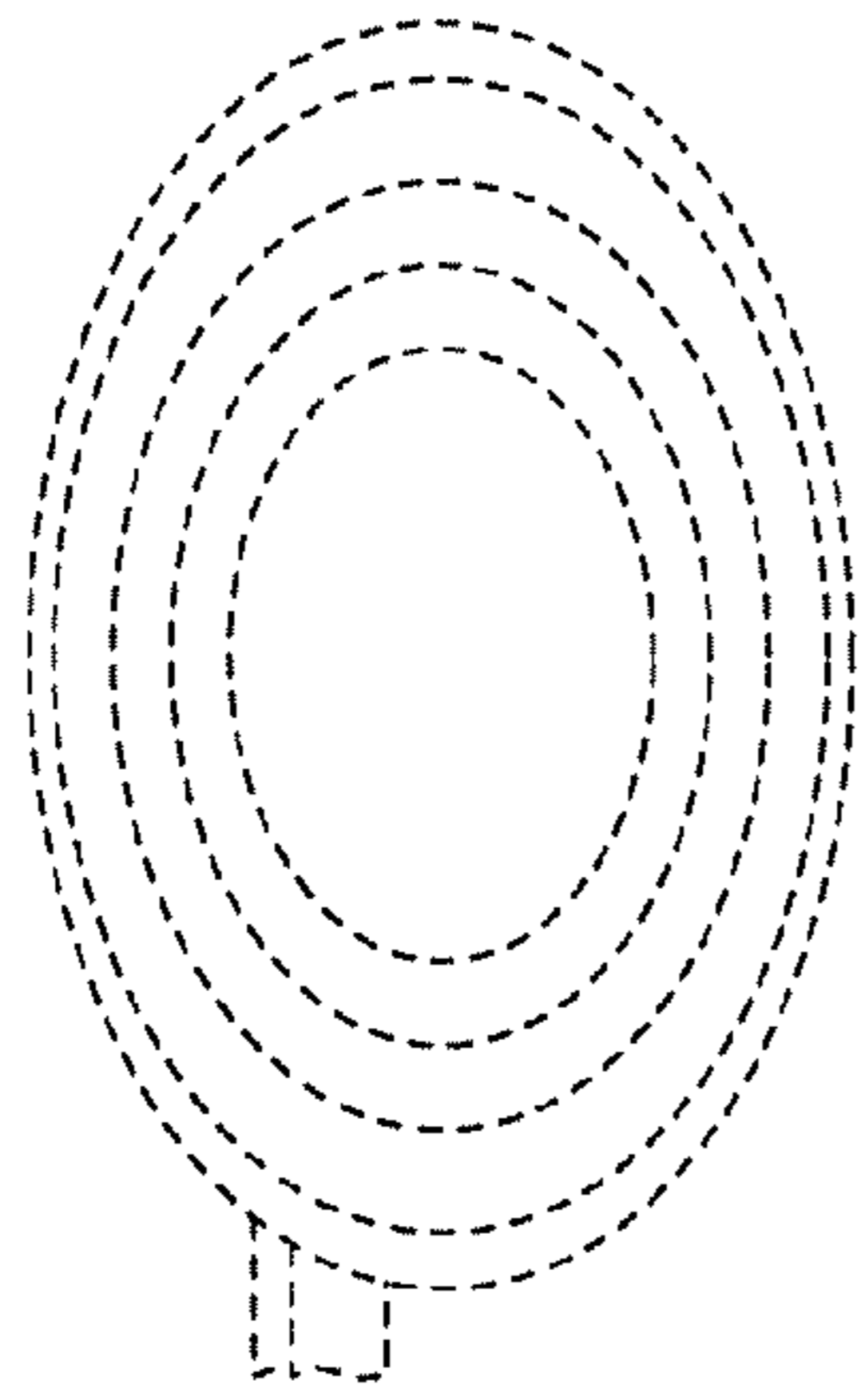


FIG. 5

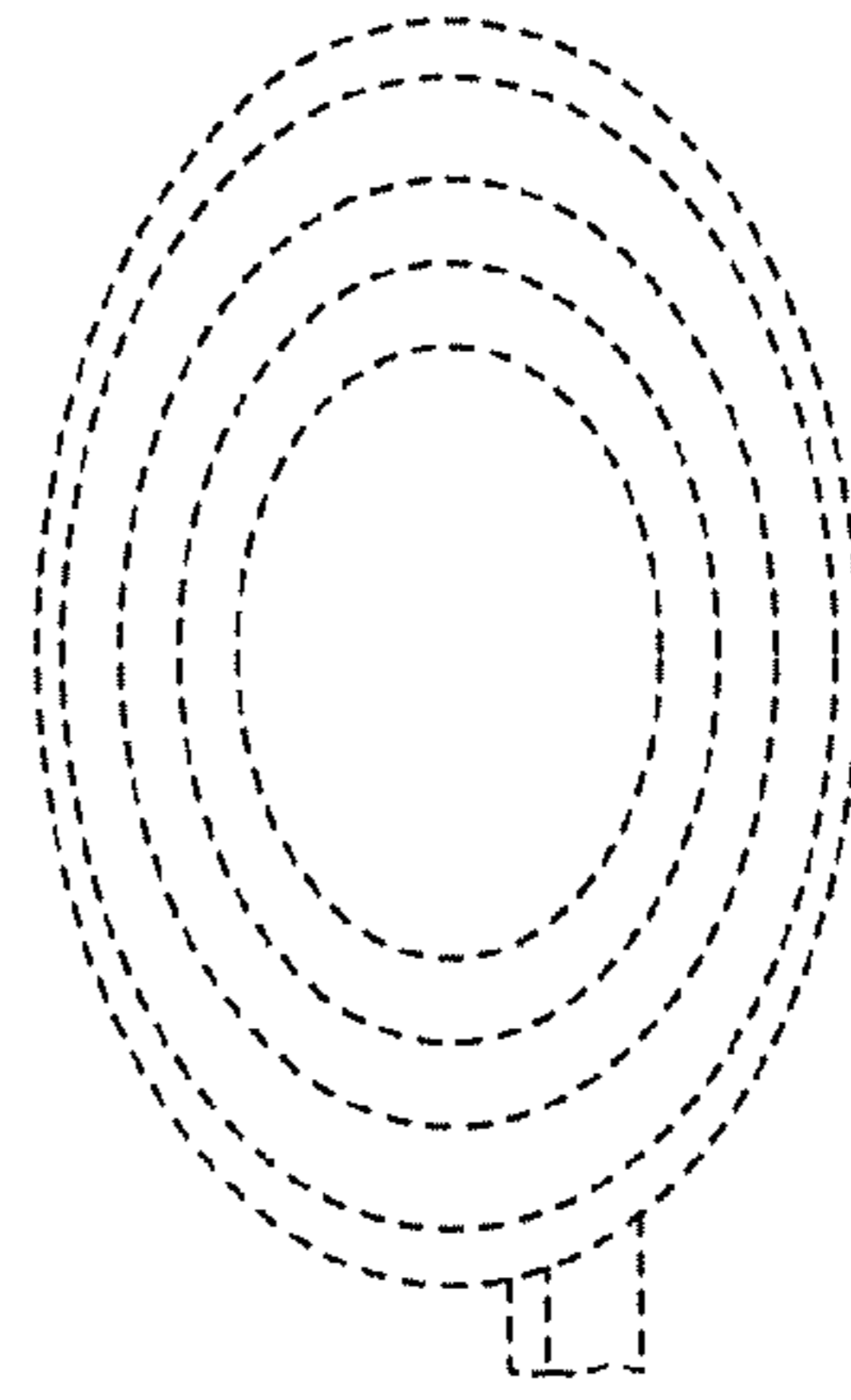


FIG. 6

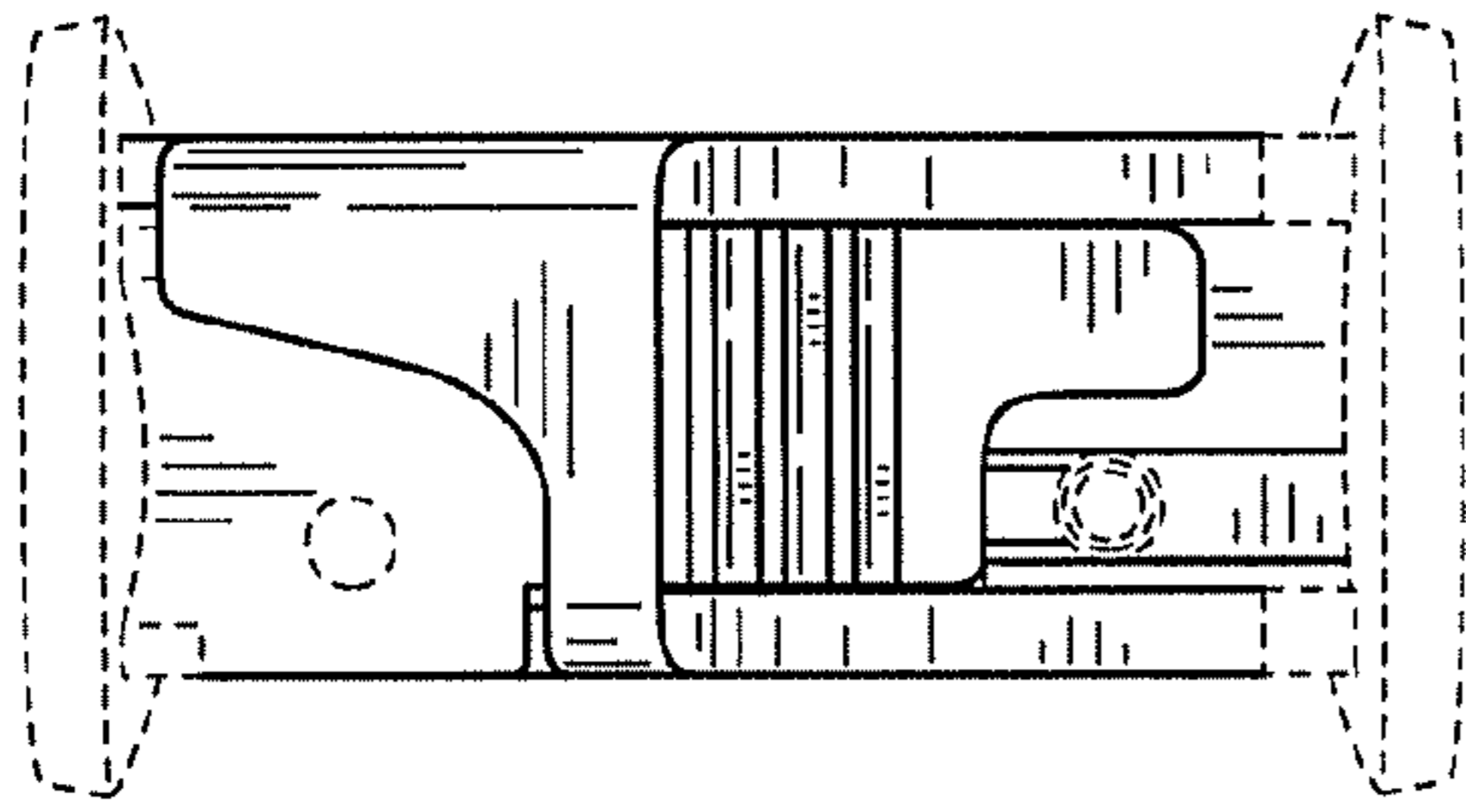


FIG. 7

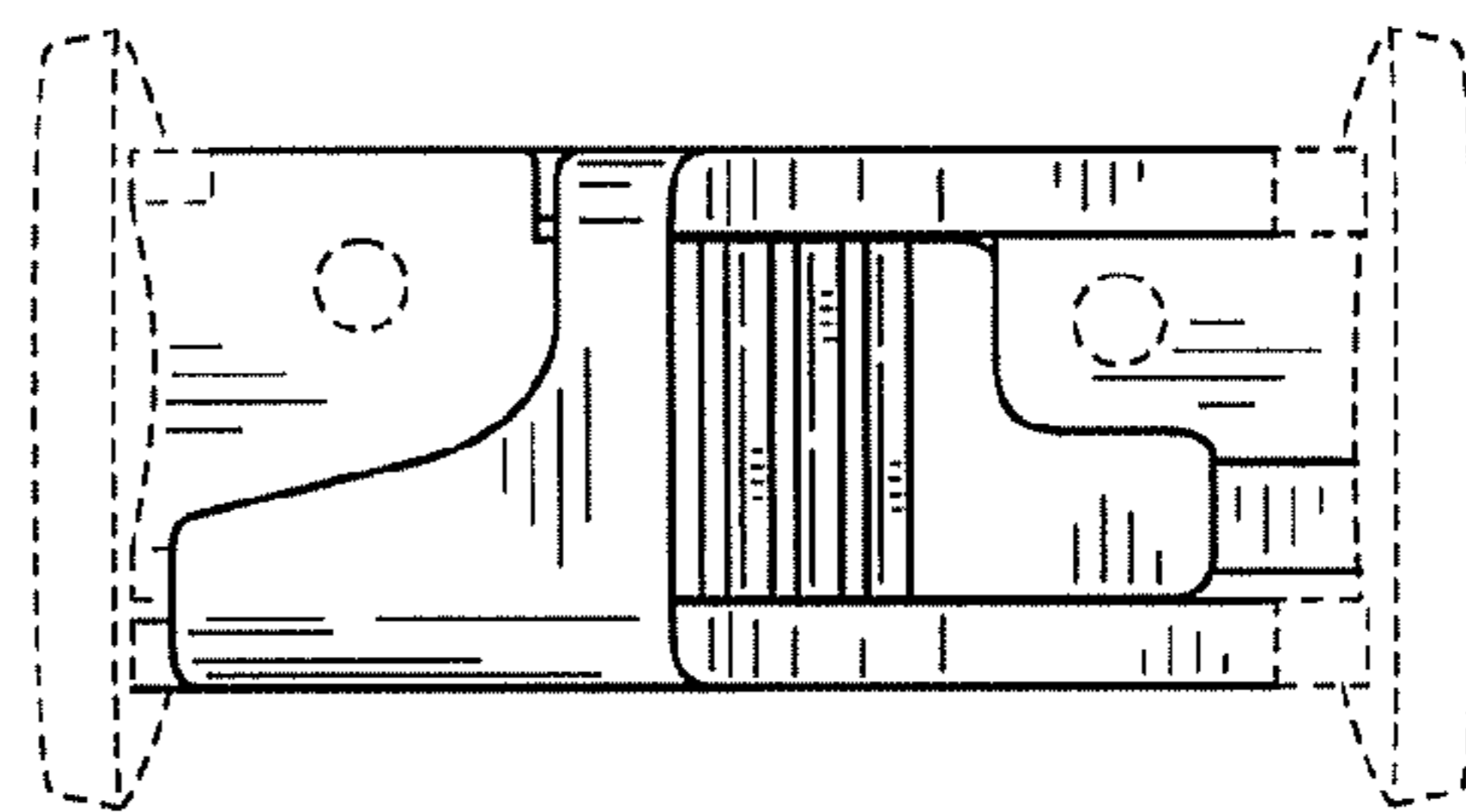


FIG. 8

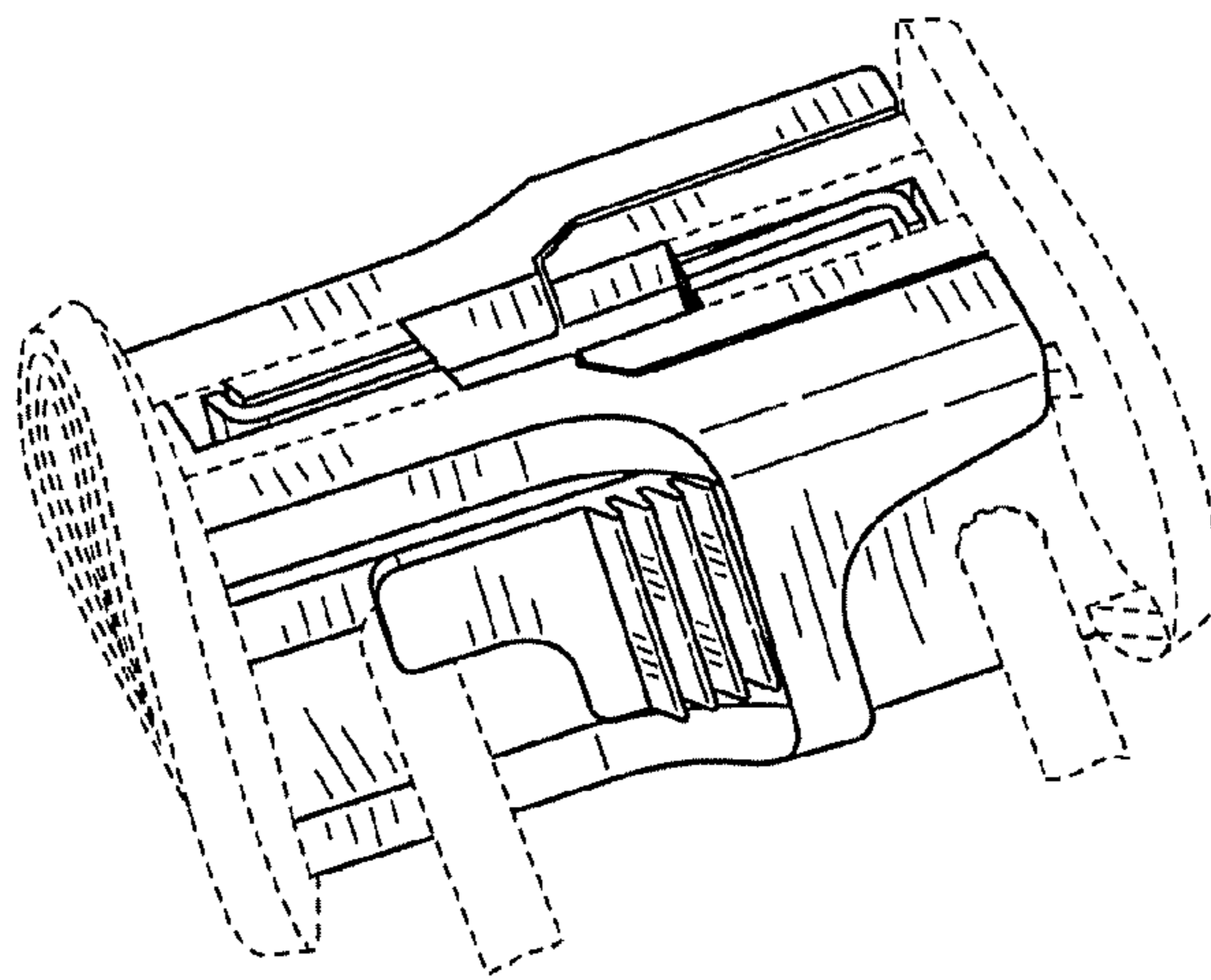


FIG. 9