

US00D668224S

(12) **United States Design Patent**
Trine et al.

(10) **Patent No.:** **US D668,224 S**

(45) **Date of Patent:** **** Oct. 2, 2012**

(54) **PARALLEL CABLE KIT**

(75) Inventors: **Dennis Trine**, Santa Fe Springs, CA (US); **Lei Zhao**, Arcadia, CA (US)

(73) Assignee: **Champion Power Equipment, Inc.**

(**) Term: **14 Years**

(21) Appl. No.: **29/416,430**

(22) Filed: **Mar. 22, 2012**

Related U.S. Application Data

(62) Division of application No. 29/359,144, filed on Apr. 6, 2010, now Pat. No. Des. 656,897.

(51) **LOC (9) Cl.** **13-01**

(52) **U.S. Cl.** **D13/122**

(58) **Field of Classification Search** D13/122, D13/112, 114, 116, 119, 133, 147, 153, 154, D13/156, 184, 199; 174/50, 50.52, 51, 66, 174/92, 520; 290/1 A, 1 B; 307/64, 150, 307/151, 153; 385/120, 147
See application file for complete search history.

(56) **References Cited**

U.S. PATENT DOCUMENTS

3,049,582	A *	8/1962	Shinn	174/92
D314,743	S	2/1991	Ishii	
D477,569	S	7/2003	Iwatate et al.	
D517,009	S	3/2006	Xiao	
D518,771	S	4/2006	Xiao	
D567,175	S	4/2008	Knuteson et al.	
D572,192	S *	7/2008	Zhu	D13/122
7,432,606	B2	10/2008	Yamamoto et al.	
D586,752	S *	2/2009	Diamond et al.	D13/147
D593,037	S *	5/2009	Shien-Tang	D13/154
D595,231	S *	6/2009	Xu et al.	D13/147
D602,435	S *	10/2009	Liu et al.	D13/147
D625,687	S *	10/2010	James et al.	D13/122
D655,249	S *	3/2012	Dublin	D13/154

D656,897	S	4/2012	Trine
2006/0169238	A1	8/2006	Mazuka et al.
2006/0214425	A1	9/2006	Yamamoto et al.

OTHER PUBLICATIONS

Reliance Parallel Cable Kit for Yamaha Generators (Yamaha parallel), Outdoor Gear Engine, 2008, p. 1 of 1.

* cited by examiner

Primary Examiner — Derrick Holland

(74) *Attorney, Agent, or Firm* — Stetina Brunda Garred & Brucker

(57) **CLAIM**

The ornamental design for a parallel cable kit, as shown and described.

DESCRIPTION

FIG. 1 is a top perspective view of a parallel cable kit showing our new design in environmental use;

FIG. 2 is a bottom perspective view of the parallel cable kit shown in FIG. 1;

FIG. 3 is a top view of the parallel cable kit shown in FIG. 1;

FIG. 4 is a front view of the parallel cable kit shown in FIG. 1;

FIG. 5 is a rear view of the parallel cable kit shown in FIG. 1;

FIG. 6 is a right side view of the parallel cable kit shown in FIG. 1;

FIG. 7 is a left side view of the parallel cable kit shown in FIG. 1; and,

FIG. 8 is a bottom view of the parallel cable kit shown in FIG. 1.

The broken lines shown represent unclaimed subject matter and form no part of the claim. Where broken lines abut a claimed surface it is understood that those broken lines represent an unclaimed boundary between claimed and unclaimed surfaces. None of the broken lines form any part of the claimed design.

1 Claim, 4 Drawing Sheets

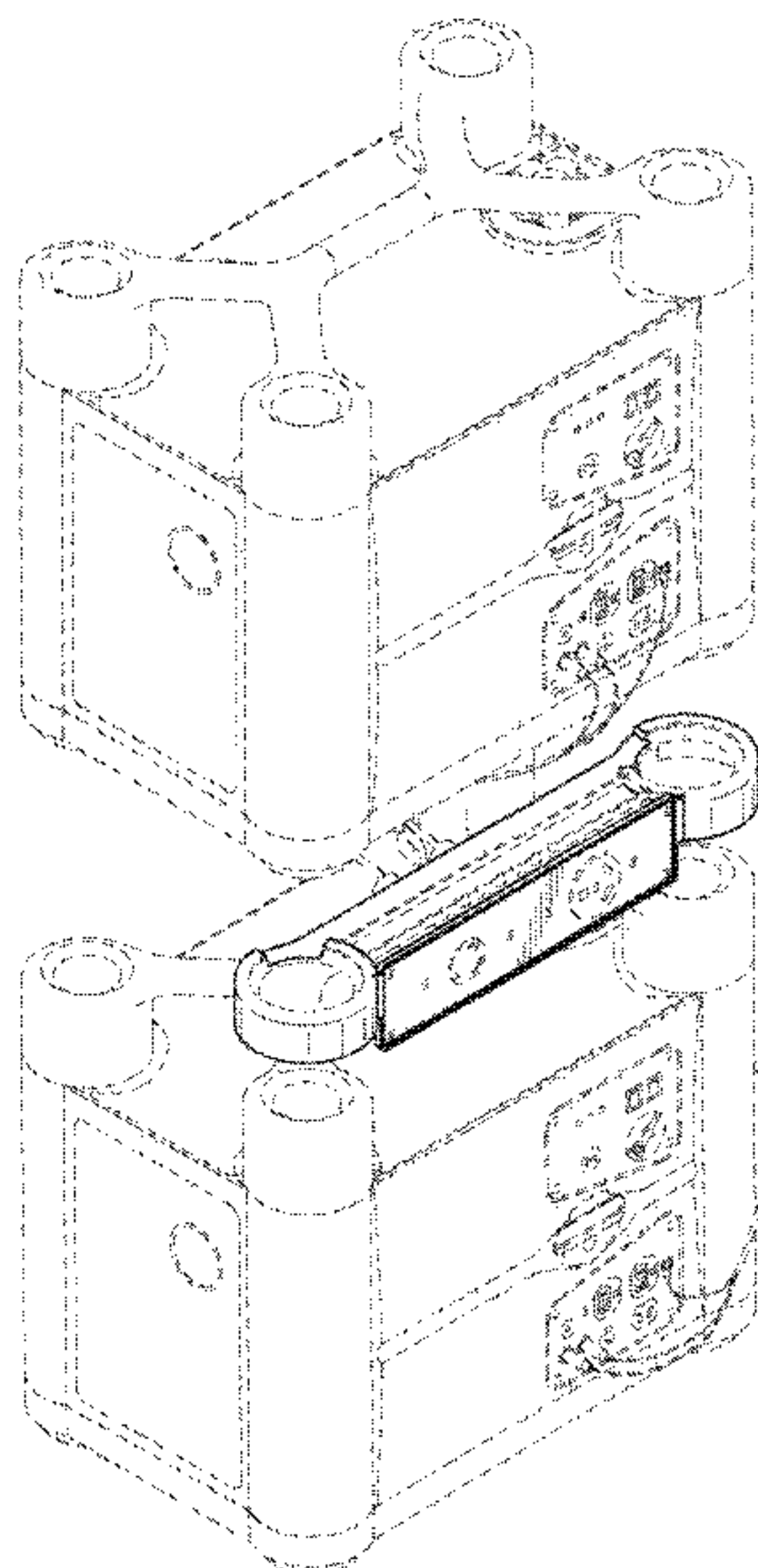


FIG. 1

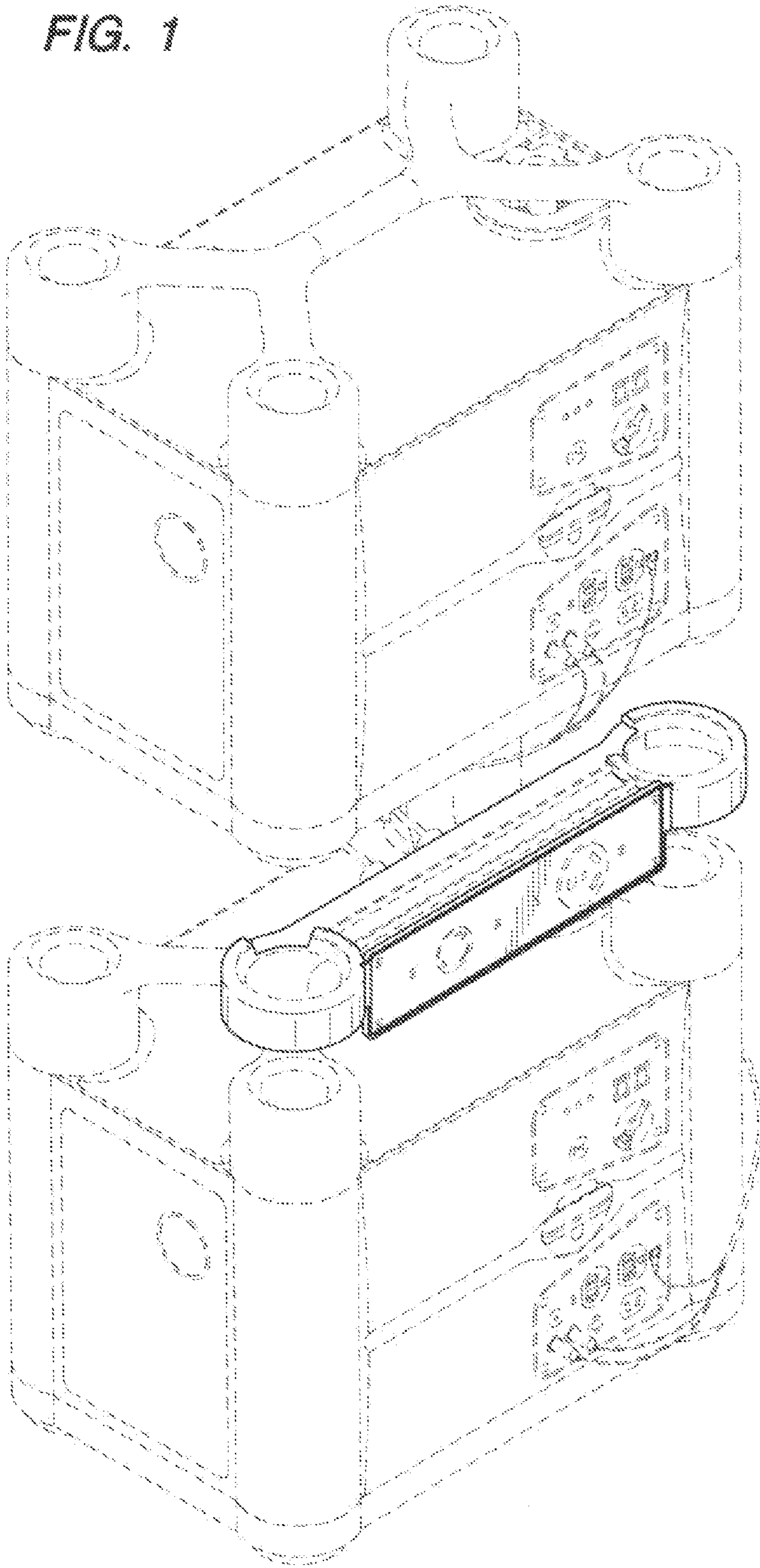


FIG. 2

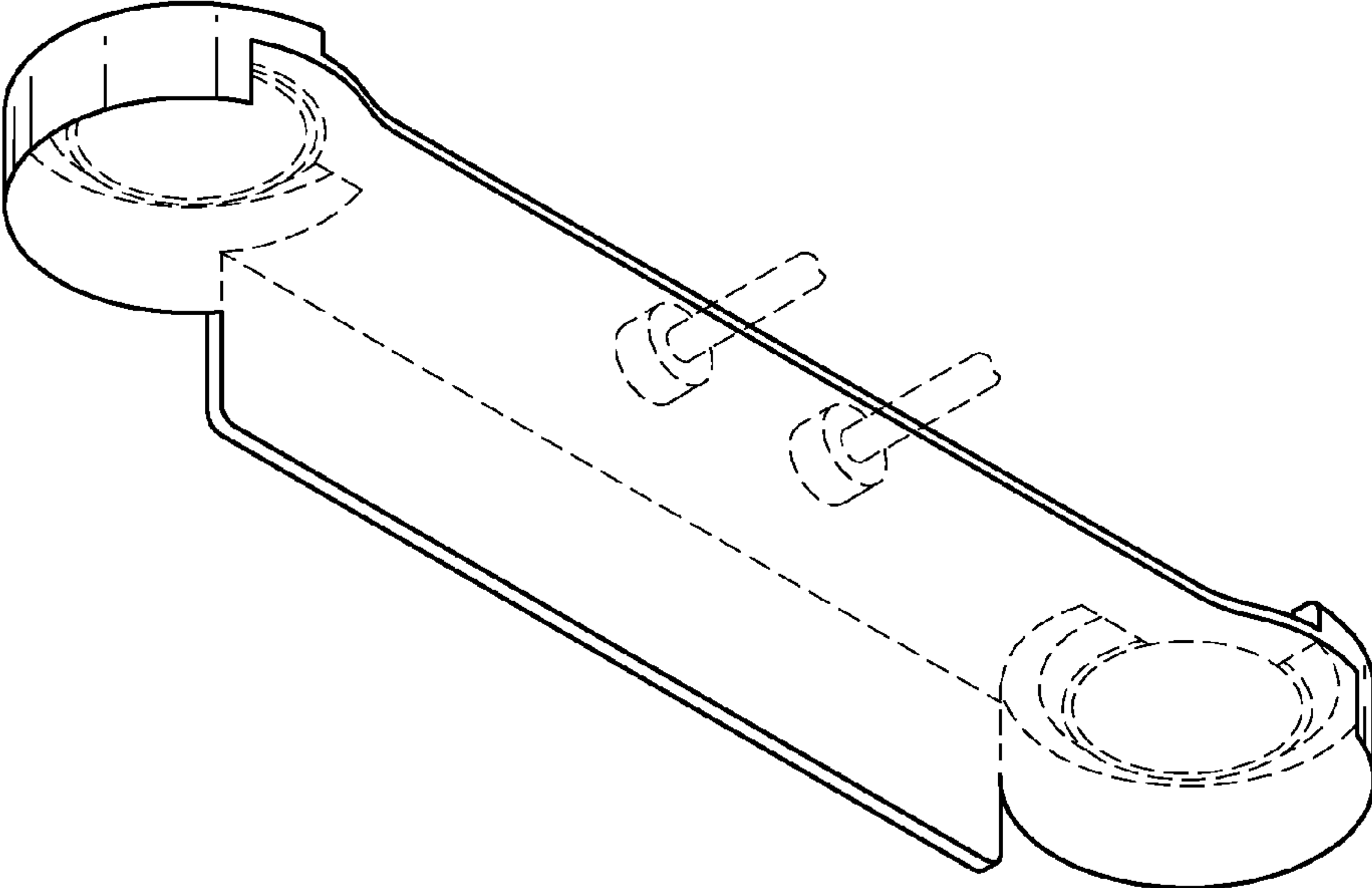


FIG. 3

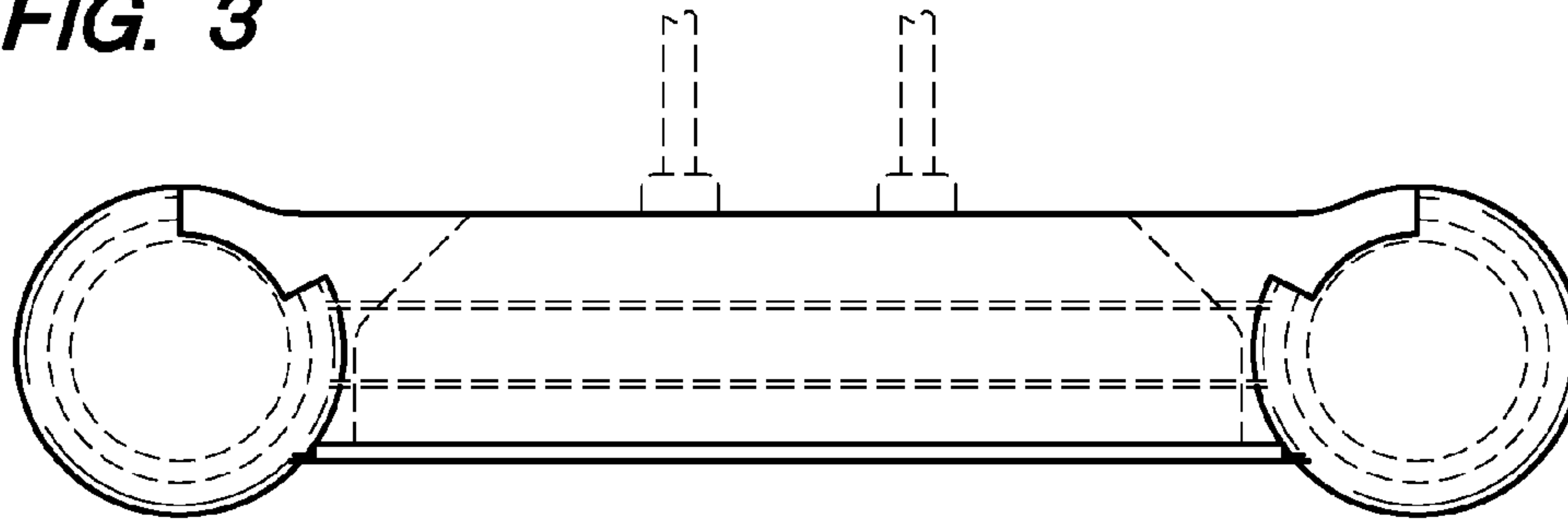


FIG. 4

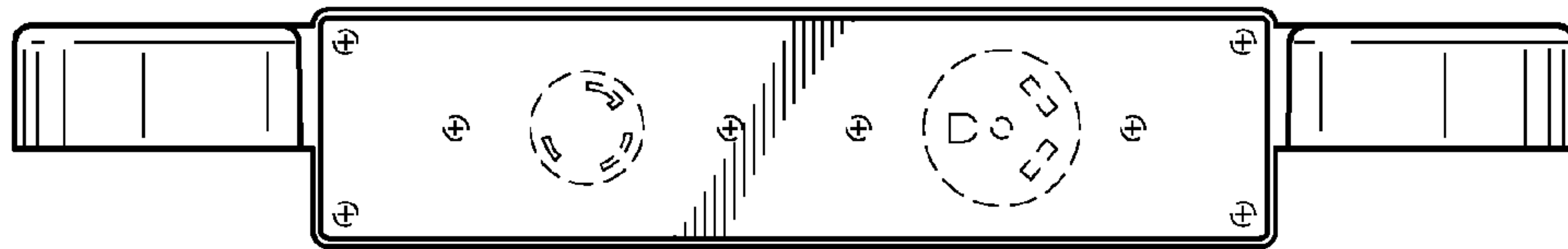


FIG. 5

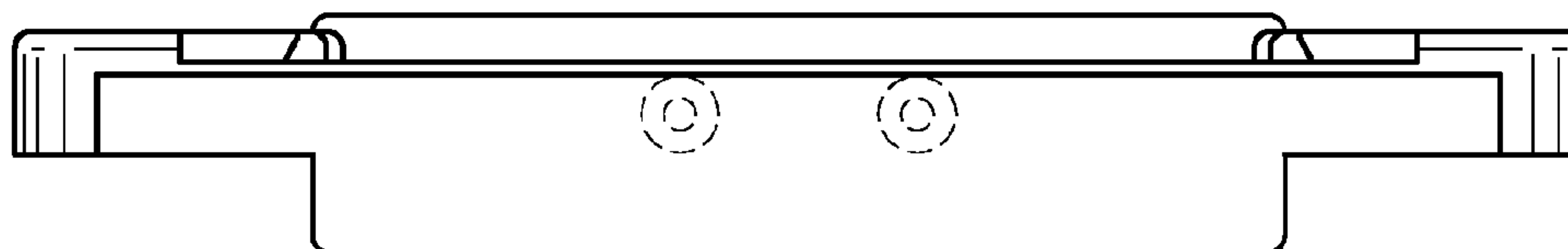


FIG. 6

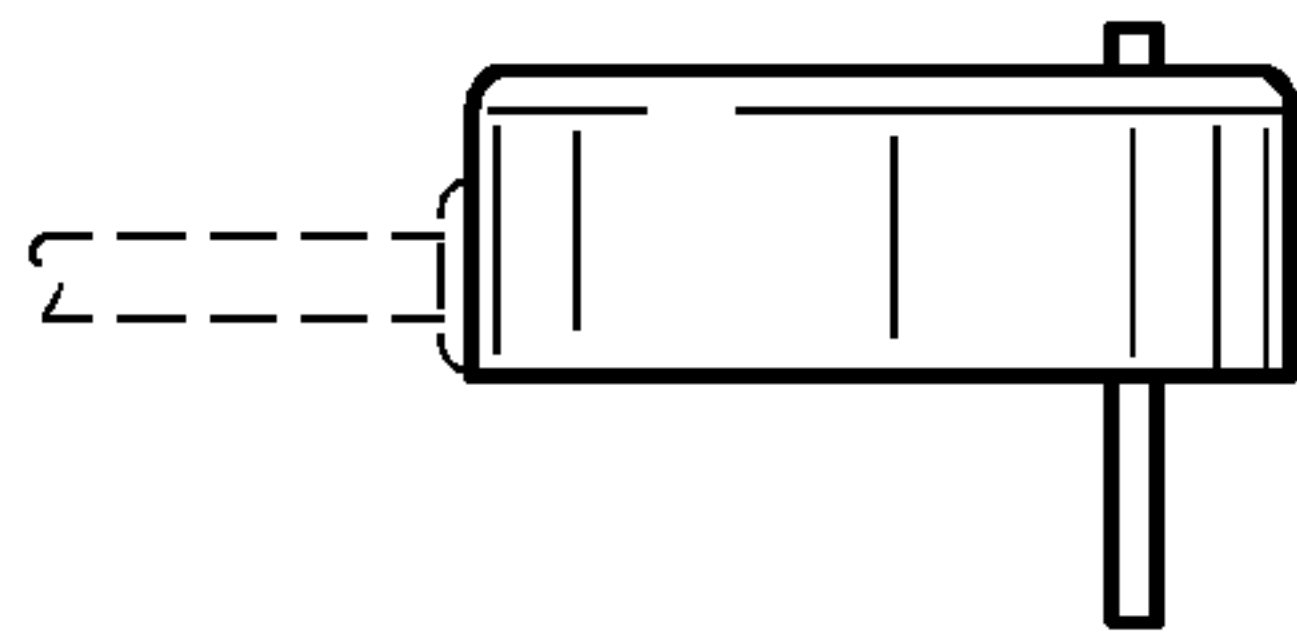


FIG. 7

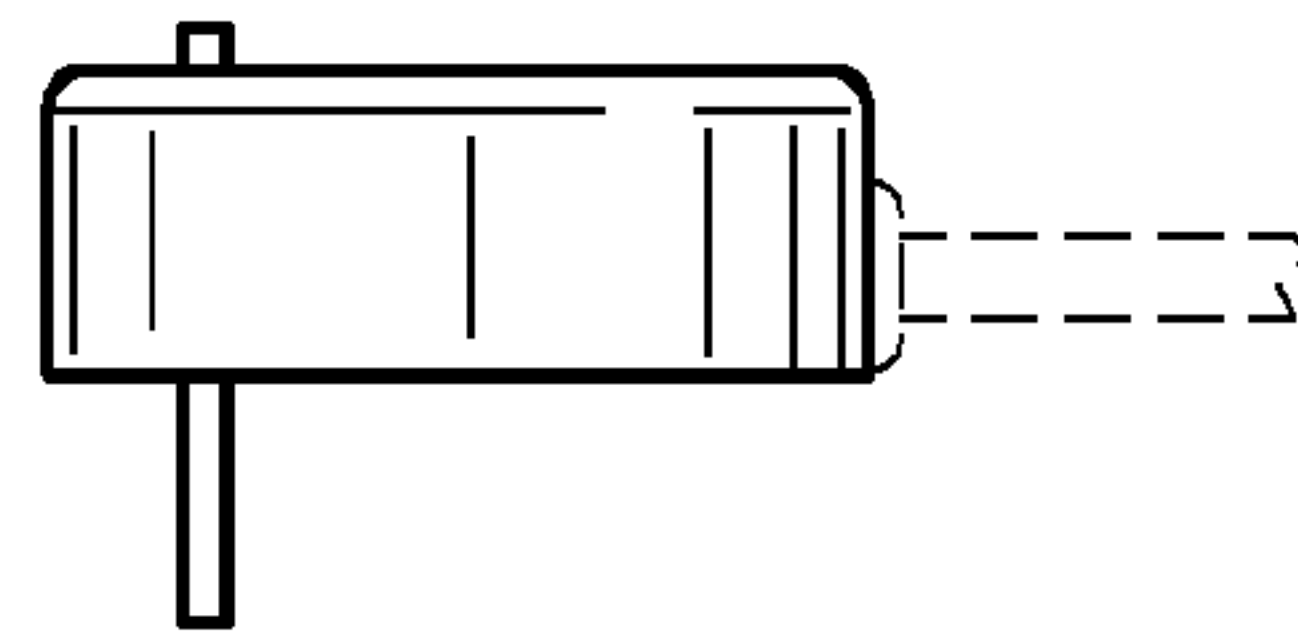


FIG. 8

