

US00D668222S

(12) **United States Design Patent**  
**Blevio, Sr.**

(10) **Patent No.:** **US D668,222 S**

(45) **Date of Patent:** **\*\* Oct. 2, 2012**

(54) **TURBINE ROTOR**

(76) Inventor: **Henry L. Blevio, Sr.**, New Milford, CT  
(US)

(\*\*) Term: **14 Years**

(21) Appl. No.: **29/395,976**

(22) Filed: **Apr. 30, 2012**

**Related U.S. Application Data**

(62) Division of application No. 29/395,167, filed on Dec. 7, 2011, now Pat. No. Des. 660,230.

(51) **LOC (9) Cl.** ..... **13-01**

(52) **U.S. Cl.** ..... **D13/115**

(58) **Field of Classification Search** ..... D13/115,  
D13/118, 122, 199; D12/344, 345; D15/1,  
D15/5, 7, 123, 138; D21/453, 458; 290/52,  
290/54, 55; 415/199.4, 916; 416/24, 31,  
416/37, 38, 132 B, 132 R, 141, 142, 176,  
416/177, 186 R, 196 A, 223 A

See application file for complete search history.

(56) **References Cited**

**U.S. PATENT DOCUMENTS**

D487,060	S	*	2/2004	Ehrenberger	.....	D13/115
7,471,009	B2	*	12/2008	Davis et al.	.....	290/54
D587,195	S	*	2/2009	van Wijck	.....	D13/115
D605,115	S	*	12/2009	Starck	.....	D13/115
D610,542	S	*	2/2010	Raisanen et al.	.....	D13/115
D629,356	S	*	12/2010	Presz et al.	.....	D13/115
D638,358	S	*	5/2011	Sauer, Jr.	.....	D13/115

\* cited by examiner

*Primary Examiner* — Derrick Holland

(74) *Attorney, Agent, or Firm* — K. Gibner Lehmann

(57) **CLAIM**

The ornamental design for a turbine rotor, substantially as shown and described.

**DESCRIPTION**

FIG. 1 is a perspective view of a turbine rotor showing my new design.

FIG. 2 is a front elevation of the rotor.

FIG. 3 is a rear elevation of the rotor.

FIG. 4 is a top plan view of the rotor.

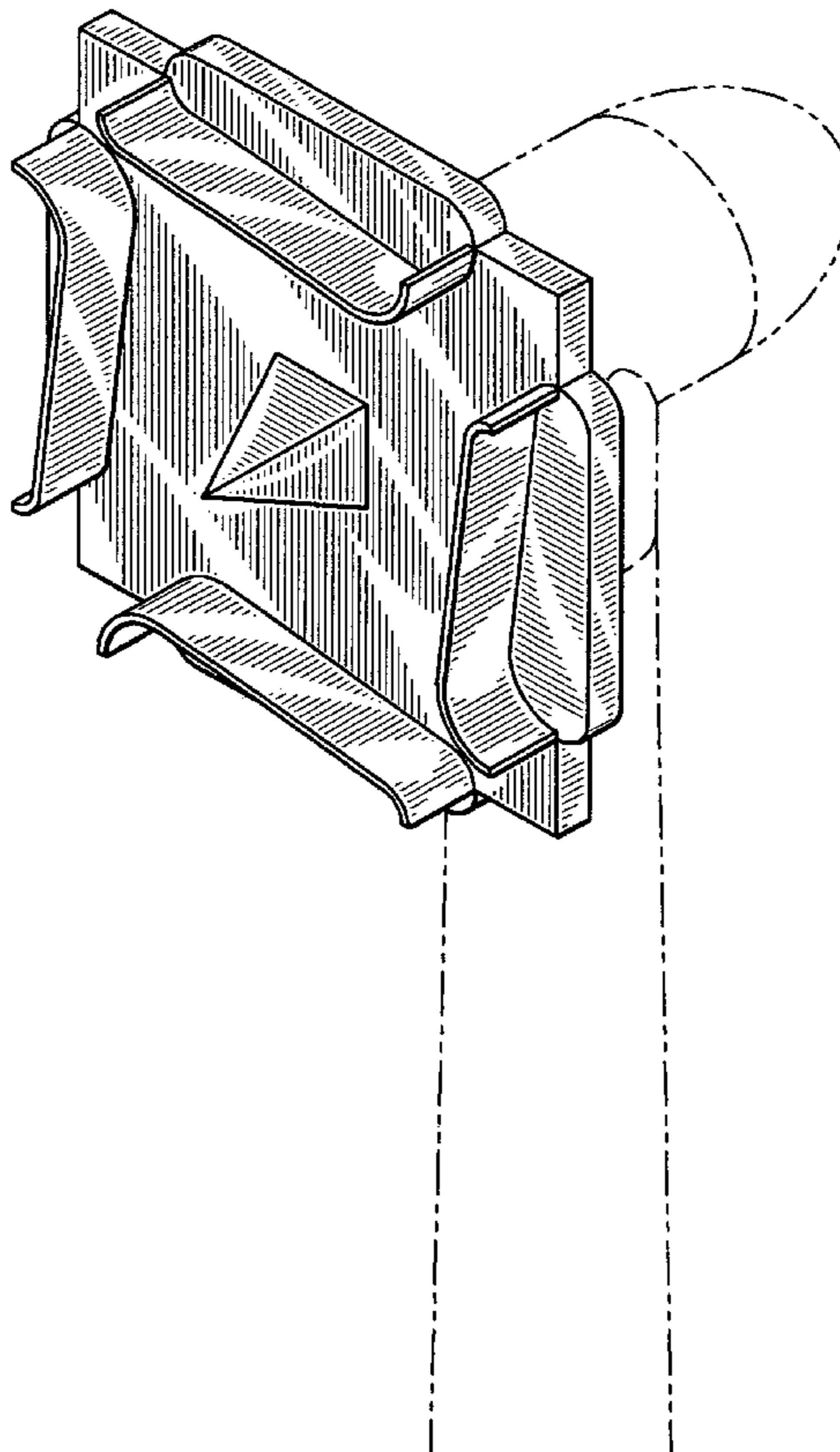
FIG. 5 is a bottom plan view of the rotor.

FIG. 6 is a right side elevation of the rotor; and,

FIG. 7 is a left side elevation of the rotor.

The broken lines shown represent unclaimed subject matter and form no part of the claimed design.

**1 Claim, 3 Drawing Sheets**



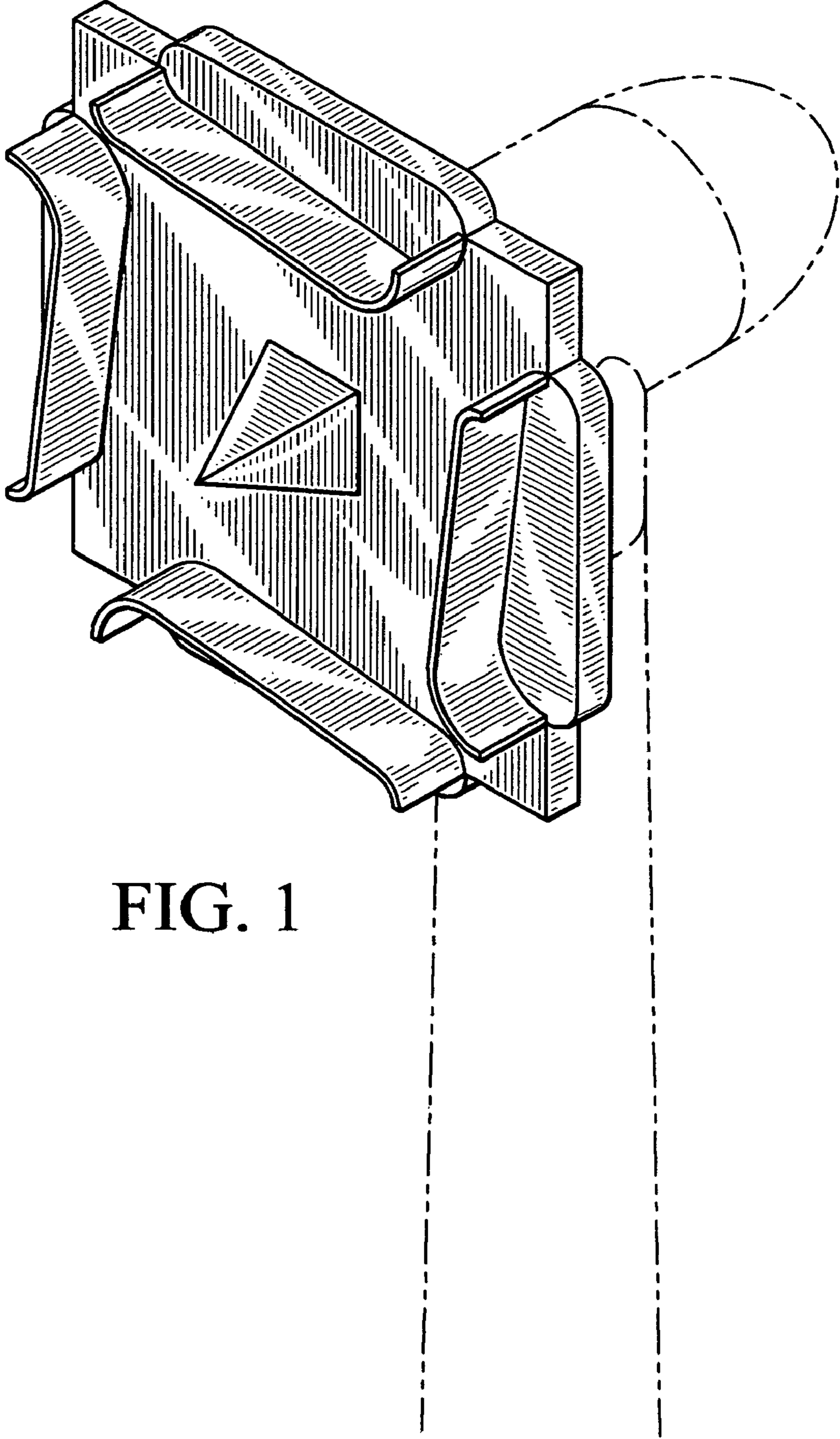


FIG. 1

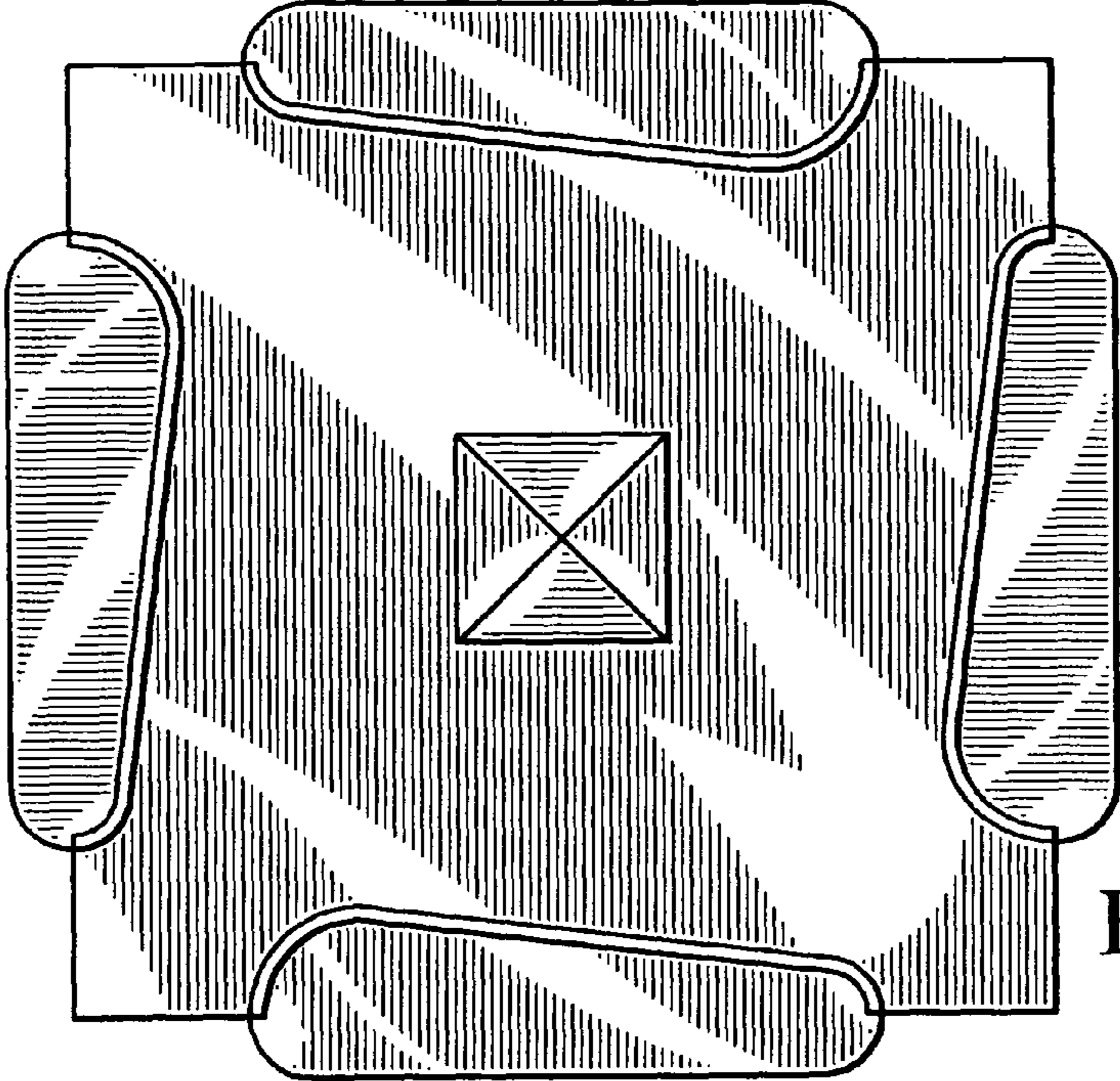


FIG. 2

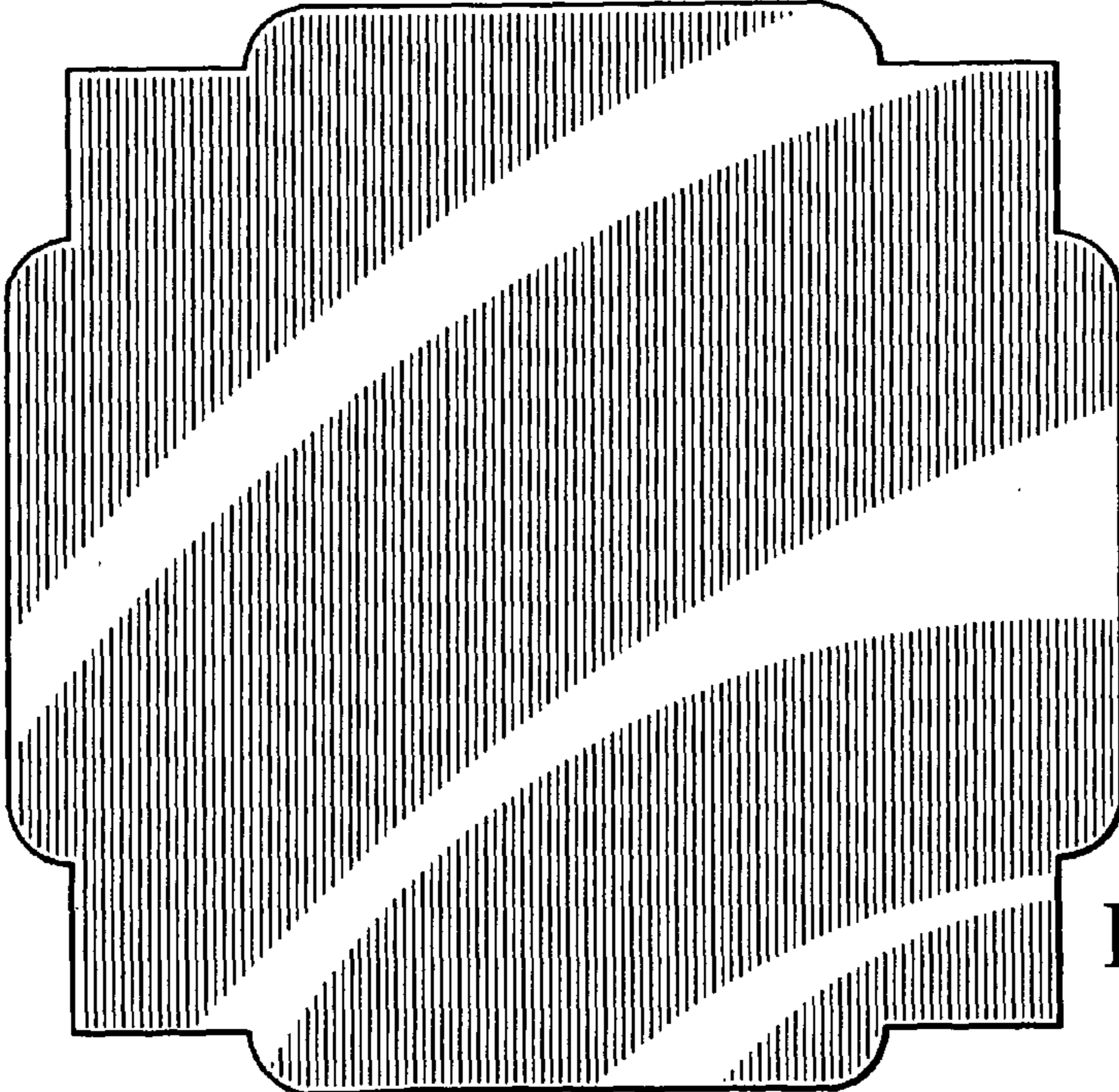


FIG. 3

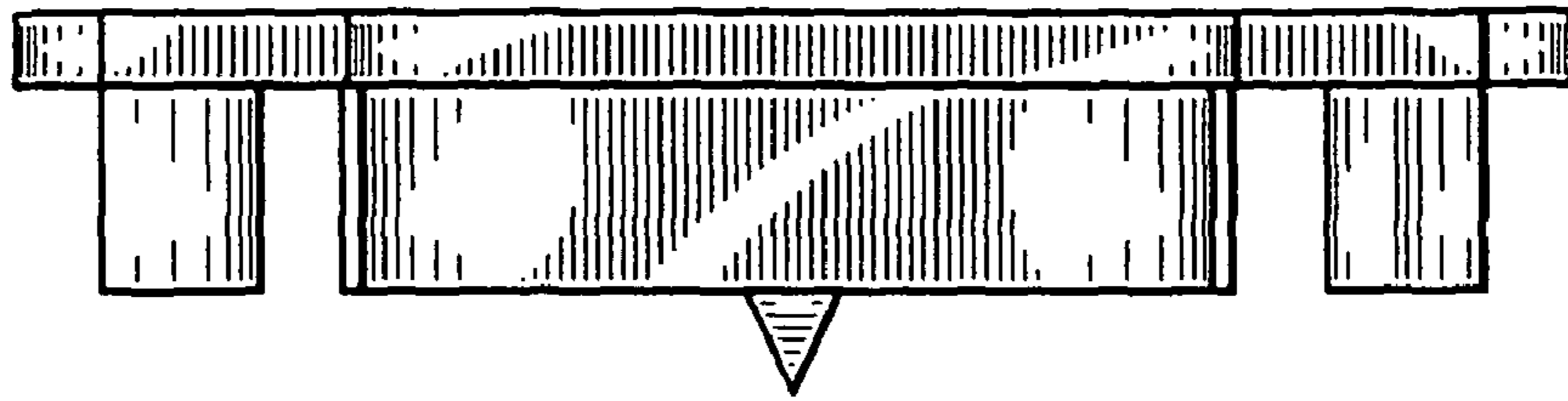


FIG. 4

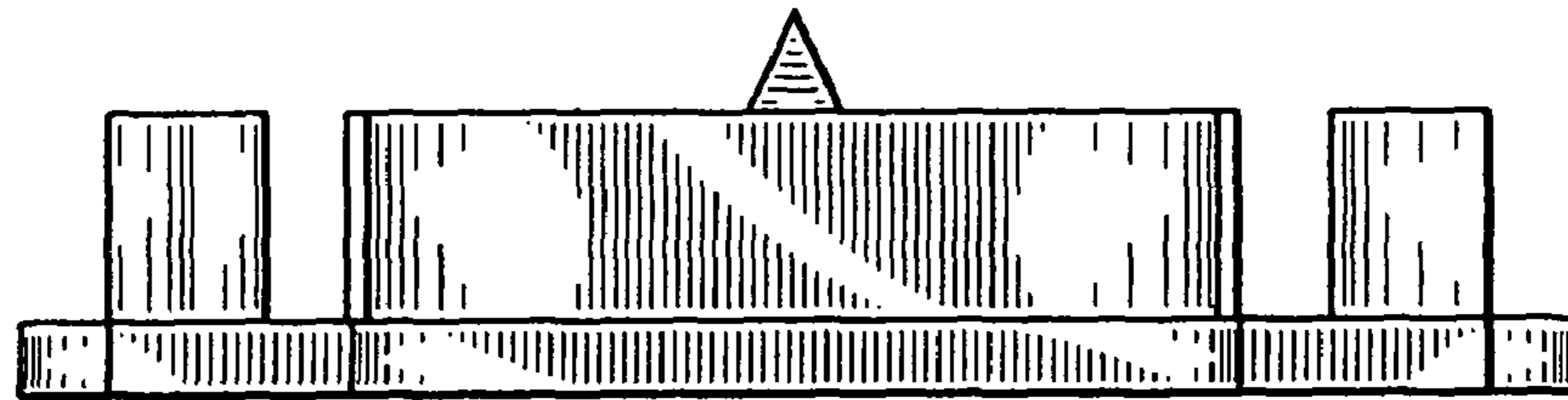


FIG. 5

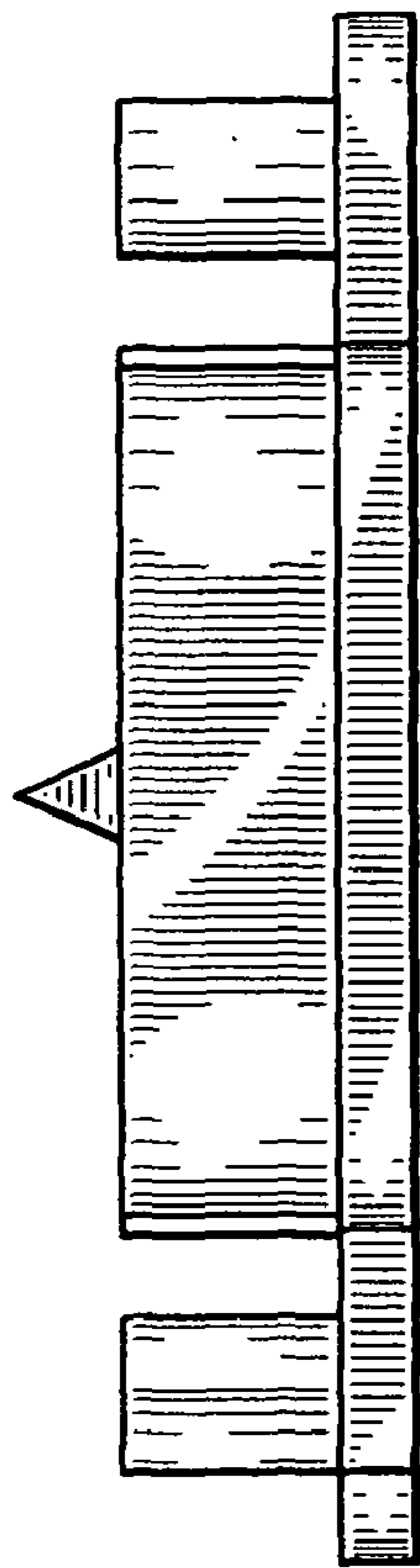


FIG. 6

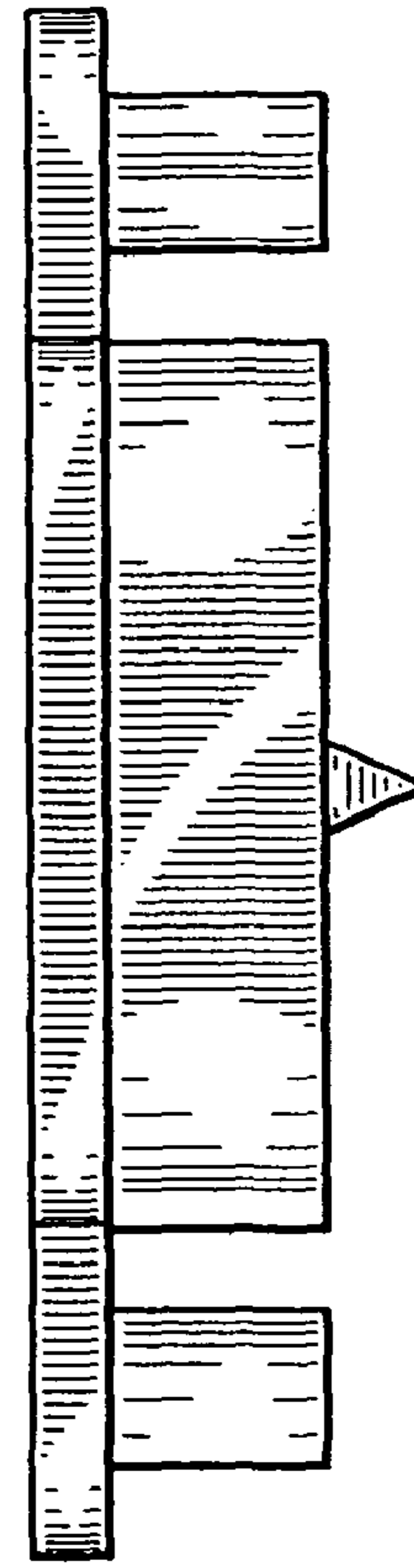


FIG. 7