



US00D668217S

(12) **United States Design Patent**
Swier et al.

(10) **Patent No.:** **US D668,217 S**

(45) **Date of Patent:** **** Oct. 2, 2012**

(54) **BATTERY PACK**

(75) Inventors: **Kevin E Swier**, Albany, OR (US);
Jeffrey Mabeck, Corvallis, OR (US);
Neel Banerjee, Corvallis, OR (US);
Peter S Nyholm, Austin, TX (US)

(73) Assignee: **Hewlett-Packard Development Company, L.P.**, Houston, TX (US)

(**) Term: **14 Years**

(21) Appl. No.: **29/413,973**

(22) Filed: **Feb. 23, 2012**

(51) **LOC (9) Cl.** **13-02**

(52) **U.S. Cl.** **D13/103**

(58) **Field of Classification Search** D13/102–106,
D13/110, 118–119, 184; 429/96–100, 163,
429/176

See application file for complete search history.

(56) **References Cited**

U.S. PATENT DOCUMENTS

4,123,598	A *	10/1978	Hammel	429/159
4,510,215	A *	4/1985	Adam	429/99
4,532,194	A *	7/1985	Liautaud et al.	429/99
D283,812	S *	5/1986	Liautaud et al.	D13/103
D304,927	S *	12/1989	Ching et al.	D13/103

5,015,546	A *	5/1991	Dulaney et al.	429/99
D372,701	S *	8/1996	Tahmassebpur	D13/103
6,376,122	B1 *	4/2002	Cheeseman	429/99
7,390,590	B2 *	6/2008	Wani et al.	429/96
2002/0127468	A1 *	9/2002	Wani et al.	429/96
2008/0286636	A1 *	11/2008	Naito et al.	429/98

* cited by examiner

Primary Examiner — Rosemary K Tarcza

(74) *Attorney, Agent, or Firm* — Walter W. Karnstein

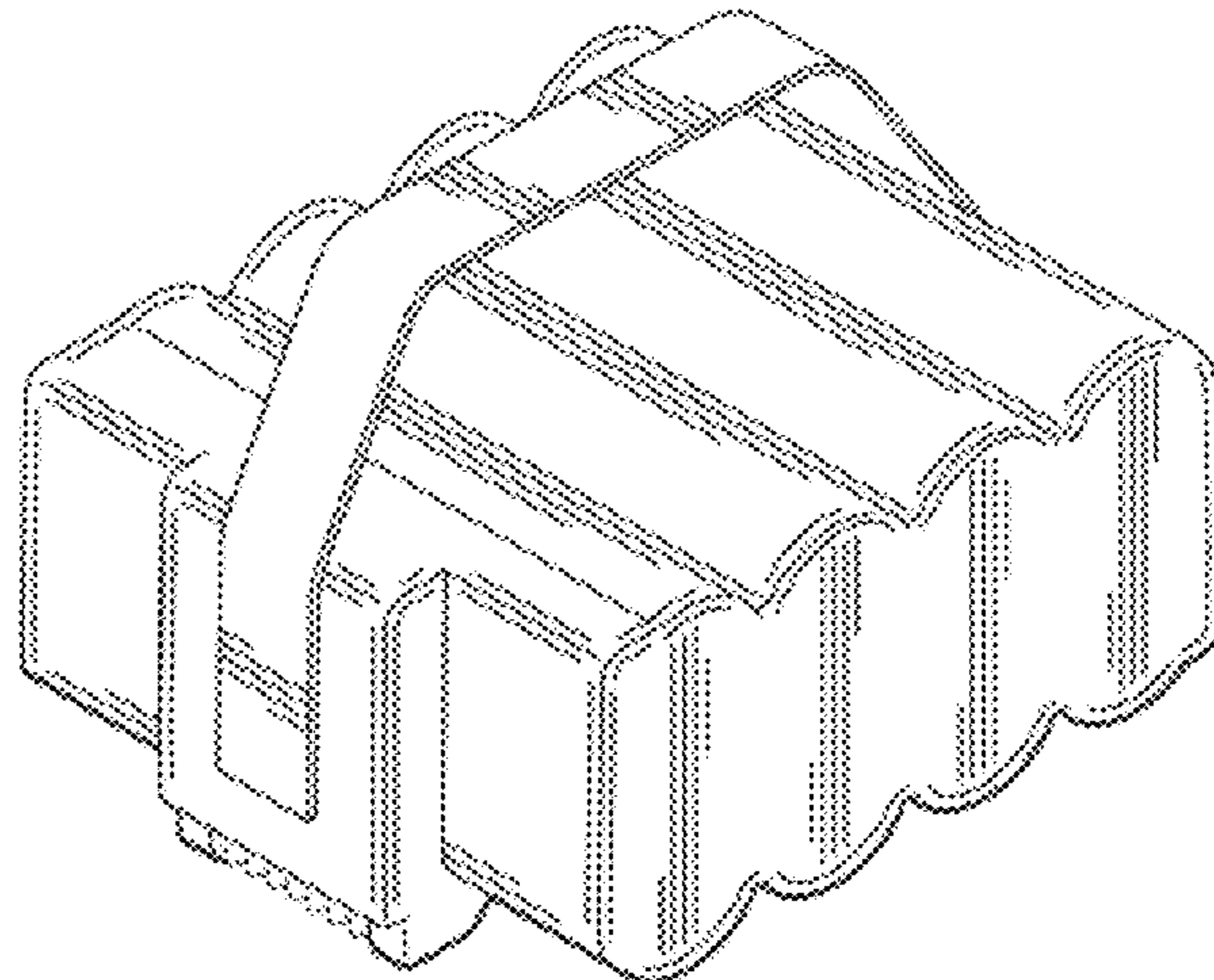
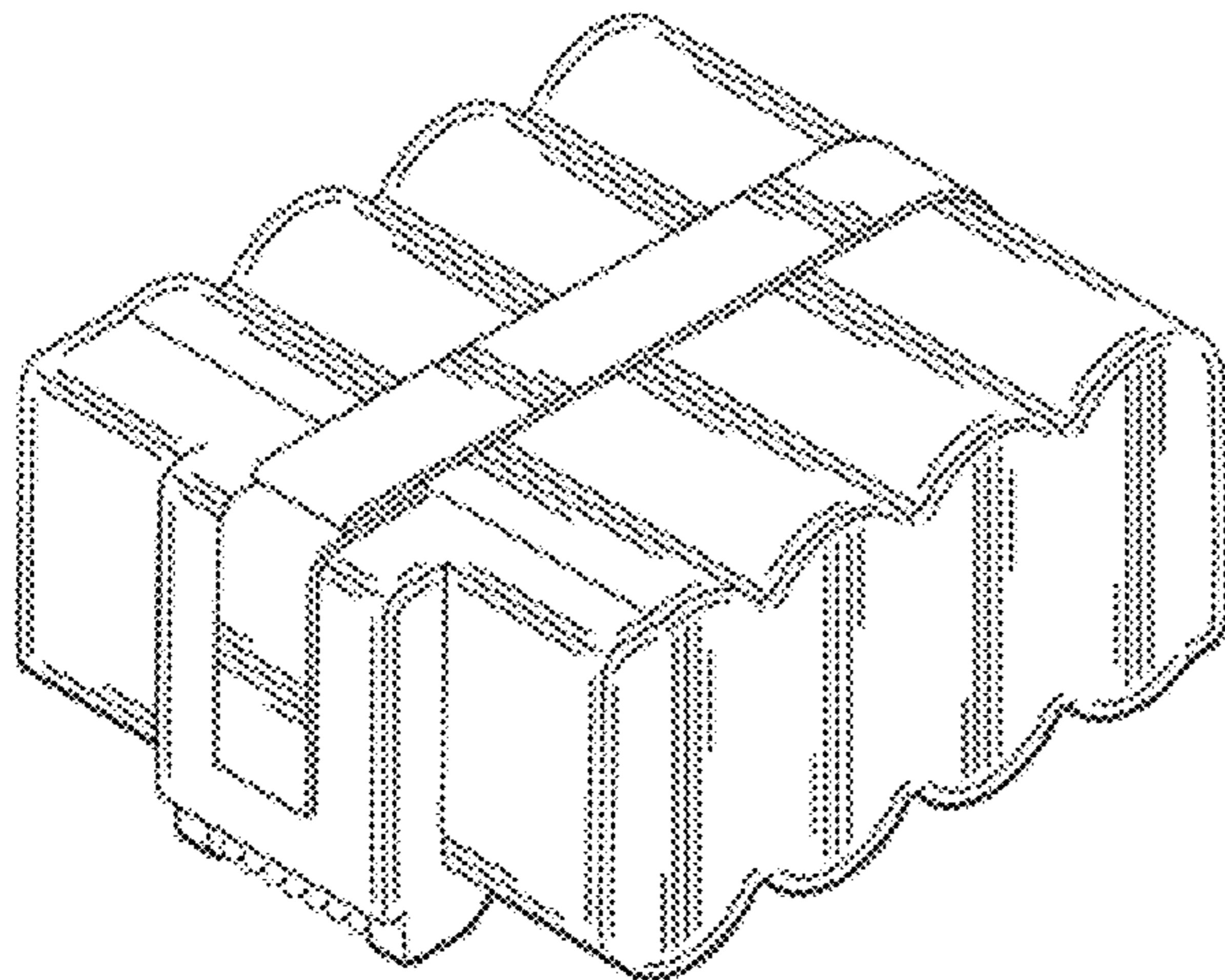
(57) **CLAIM**

The ornamental design for a battery pack, substantially as shown and described.

DESCRIPTION

FIG. 1 is a top-right perspective view of the design for the battery pack, showing a strap stowed; FIG. 2 is a right side view thereof; FIG. 3 is a left side view thereof; FIG. 4 is a front view thereof; FIG. 5 is a rear view thereof; FIG. 6 is a top plan view thereof; FIG. 7 is a bottom view thereof; and, FIG. 8 is a top-right perspective view of the battery pack of FIGS. 1 through 7, but showing the strap deployed. The portions shown in broken lines are for illustrative purposes only and form no part of the claimed design.

1 Claim, 4 Drawing Sheets



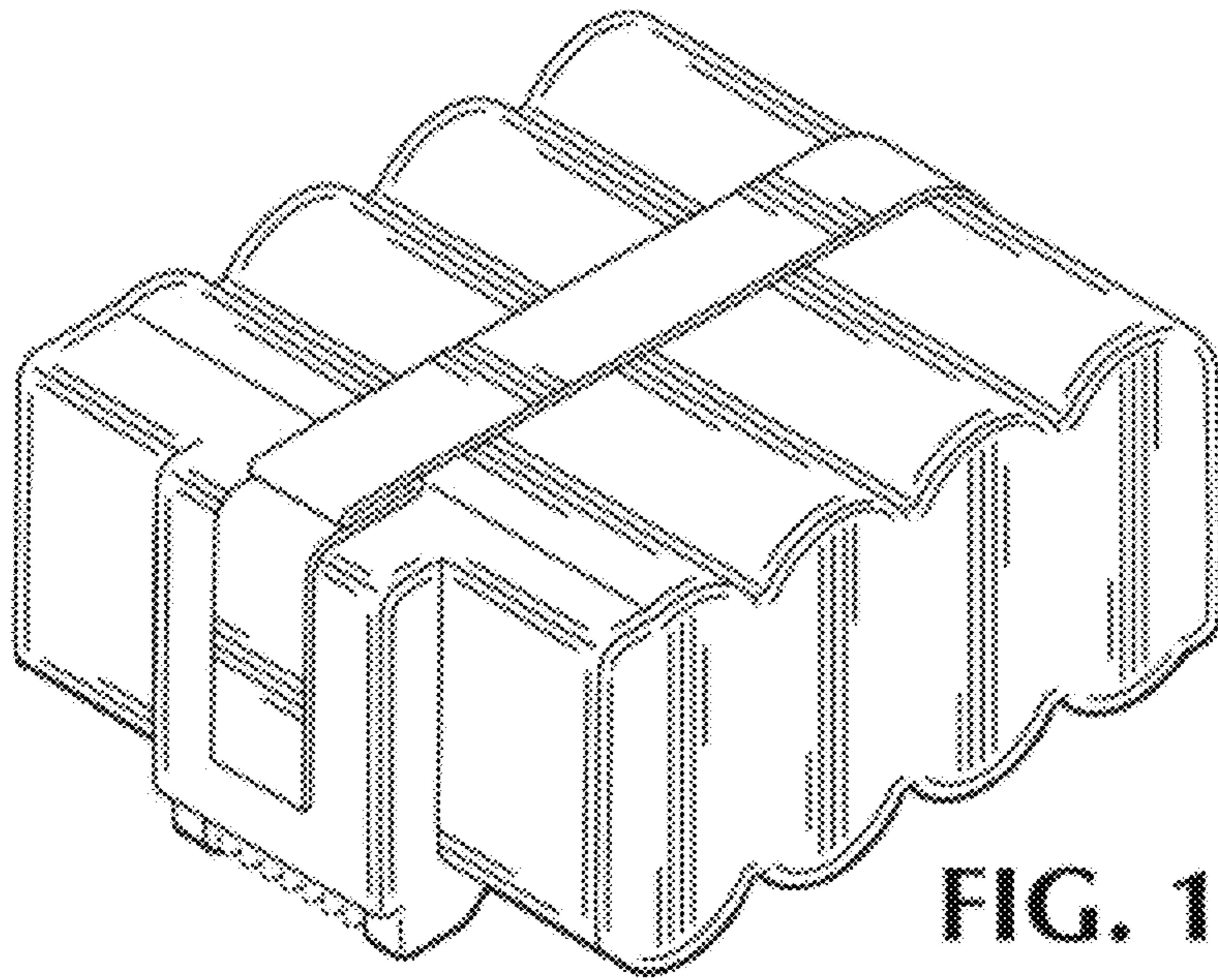


FIG. 1

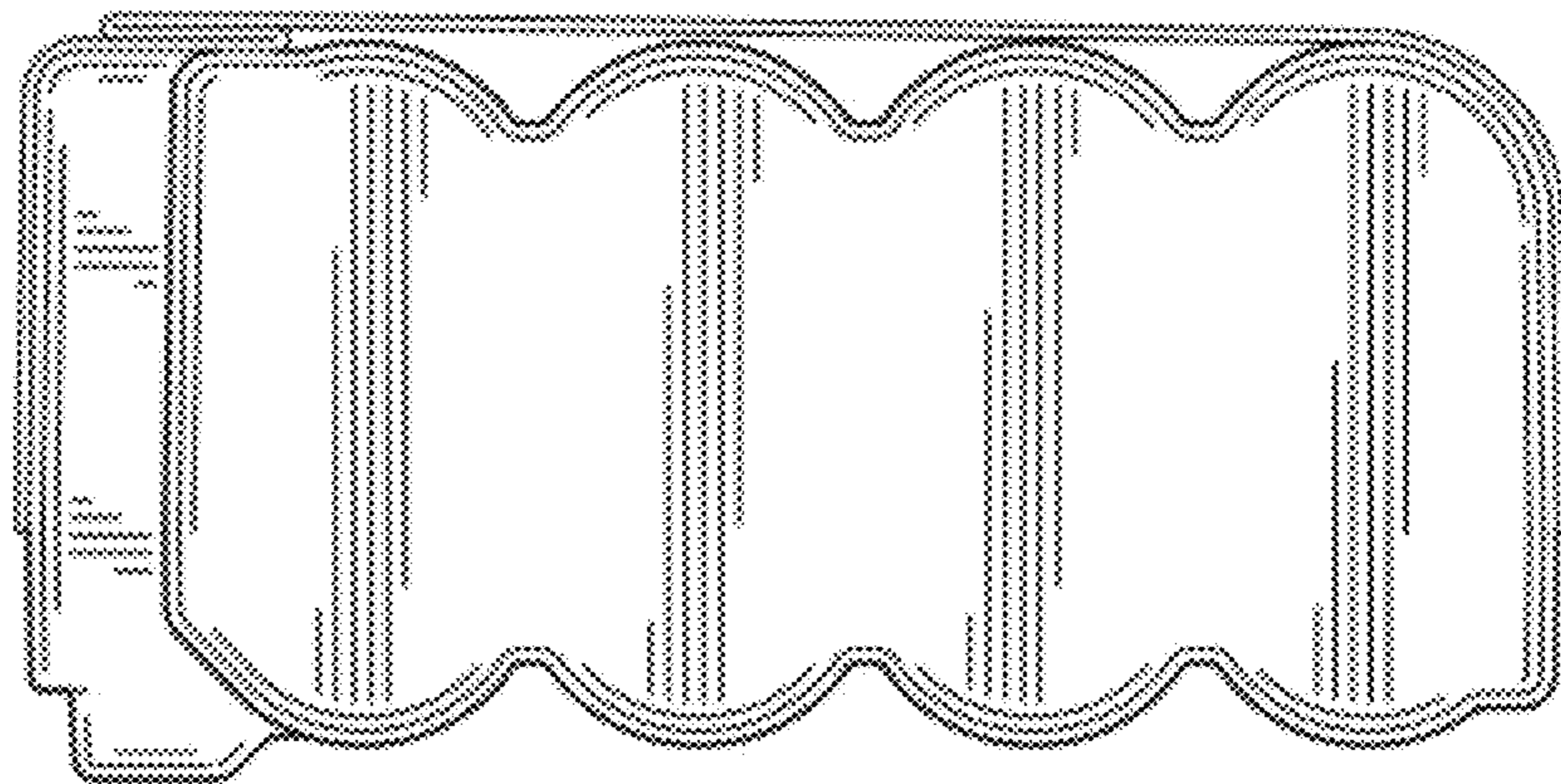


FIG. 2

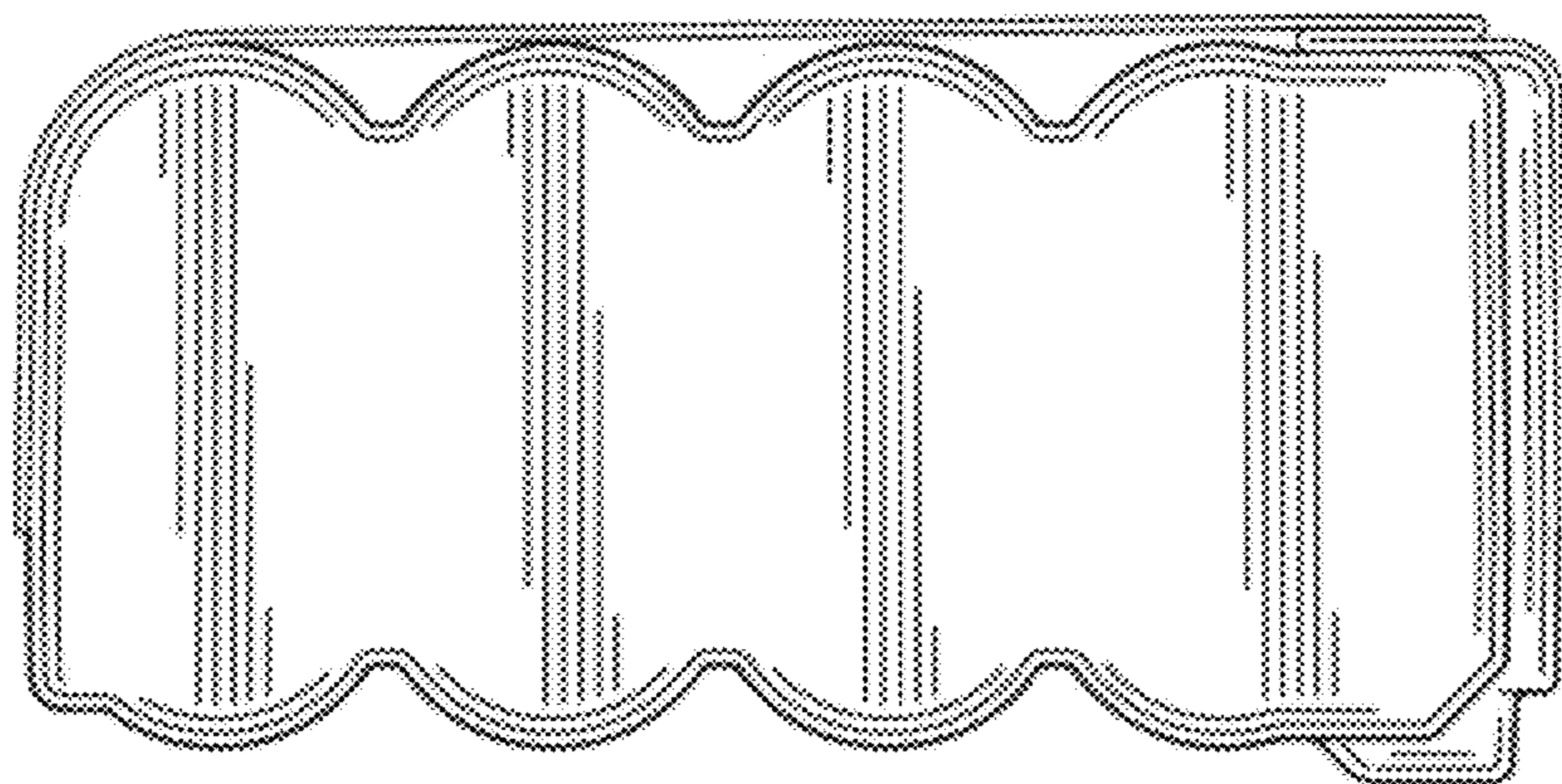


FIG. 3

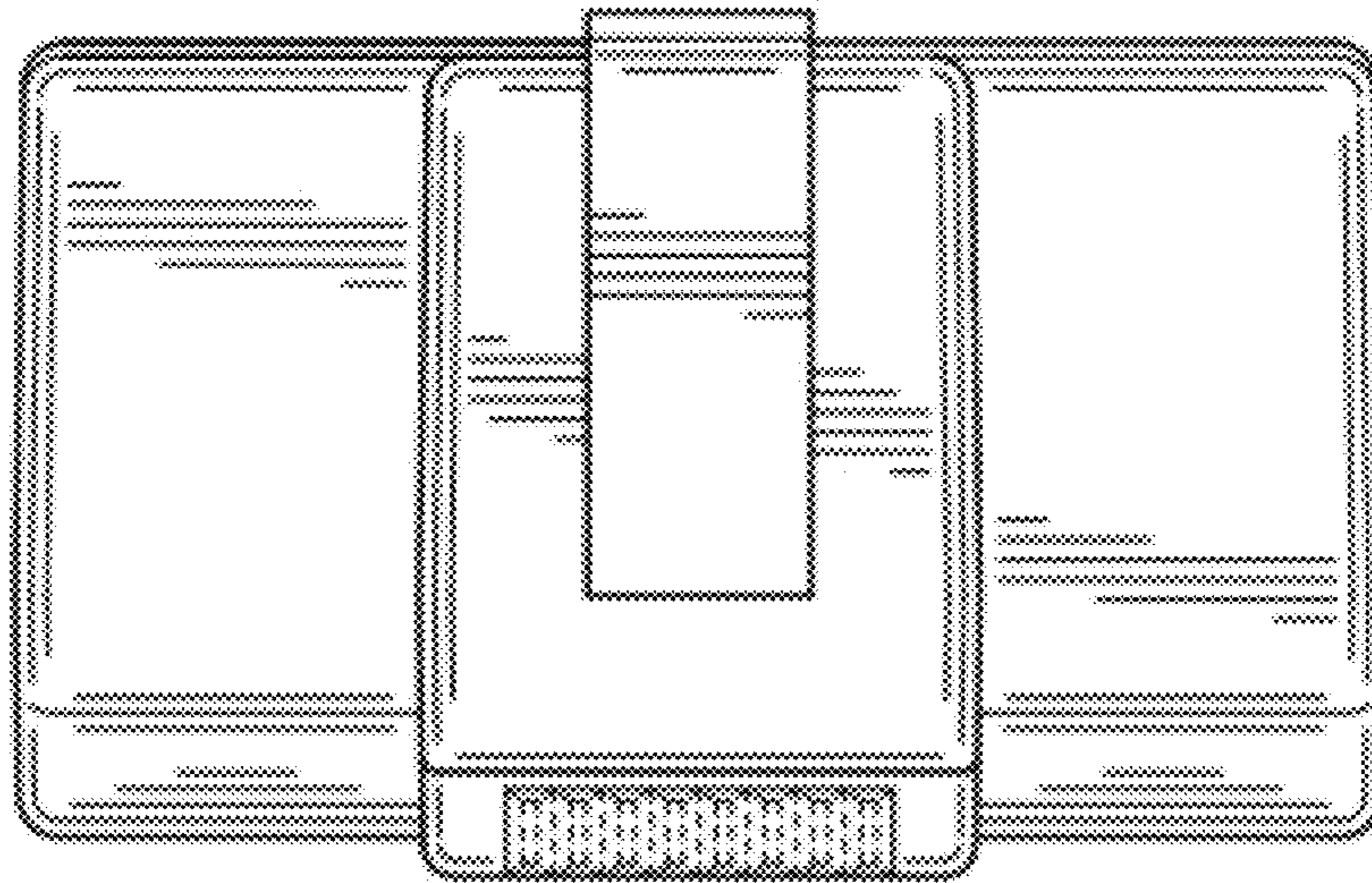


FIG. 4

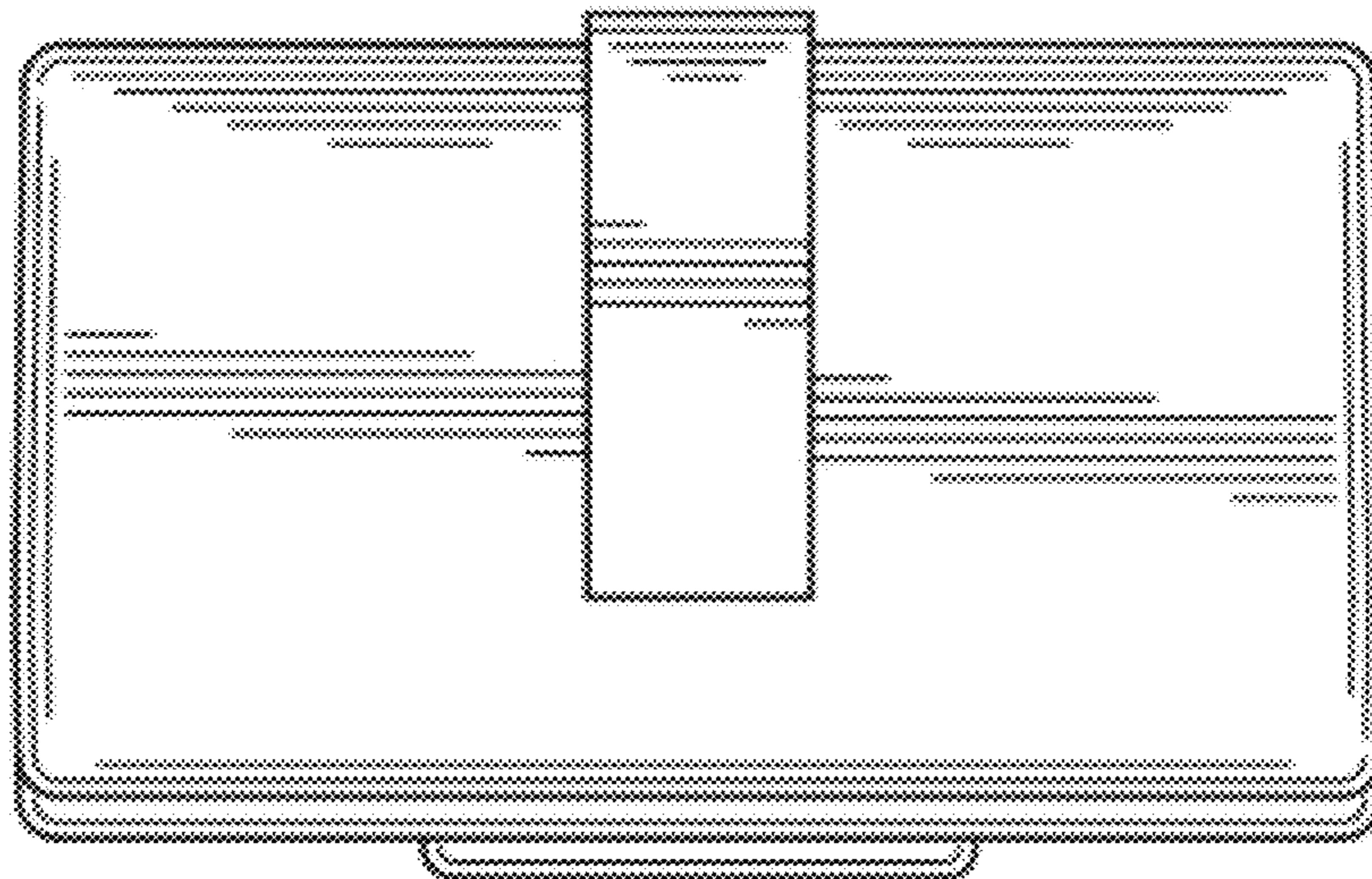


FIG. 5

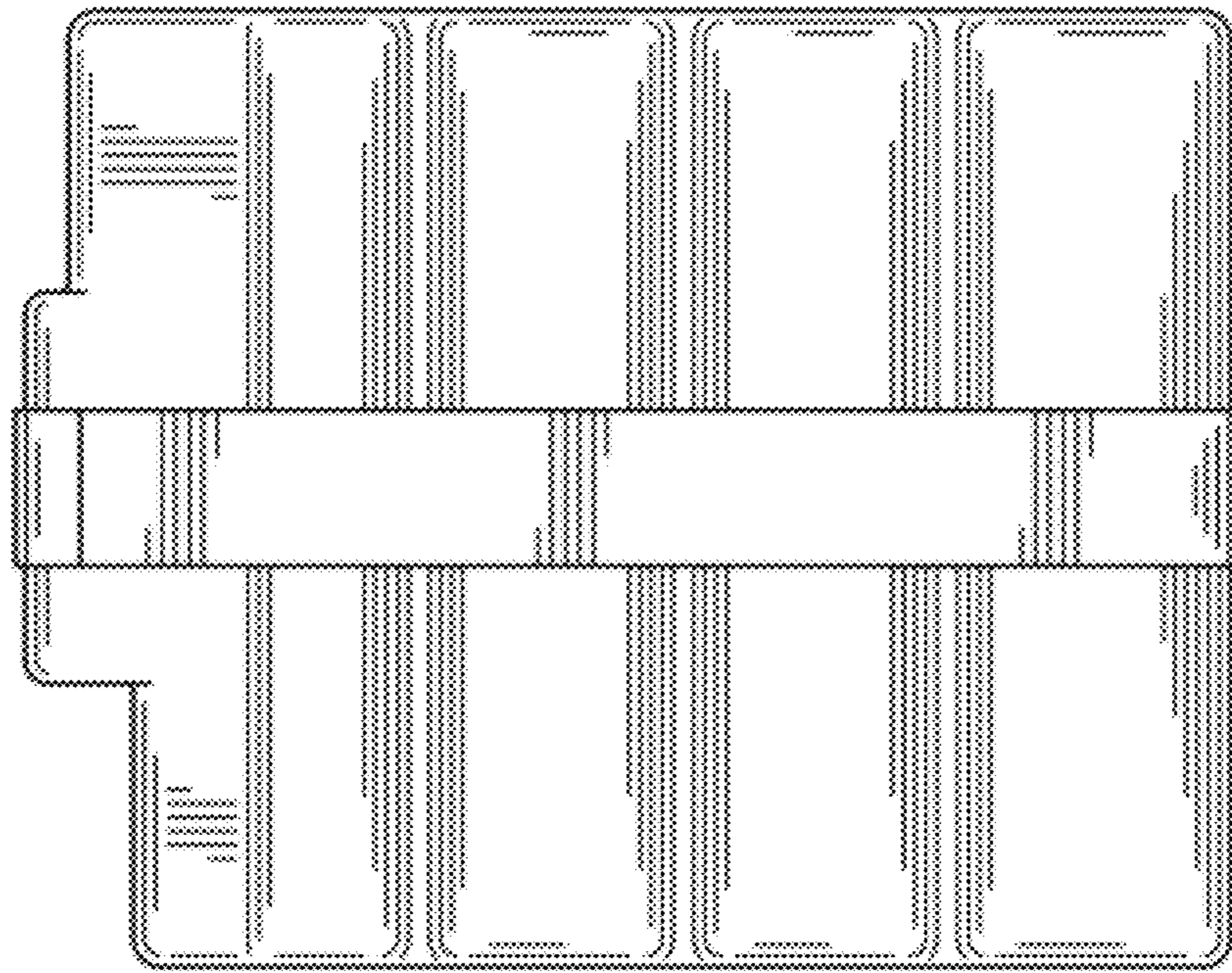


FIG. 6

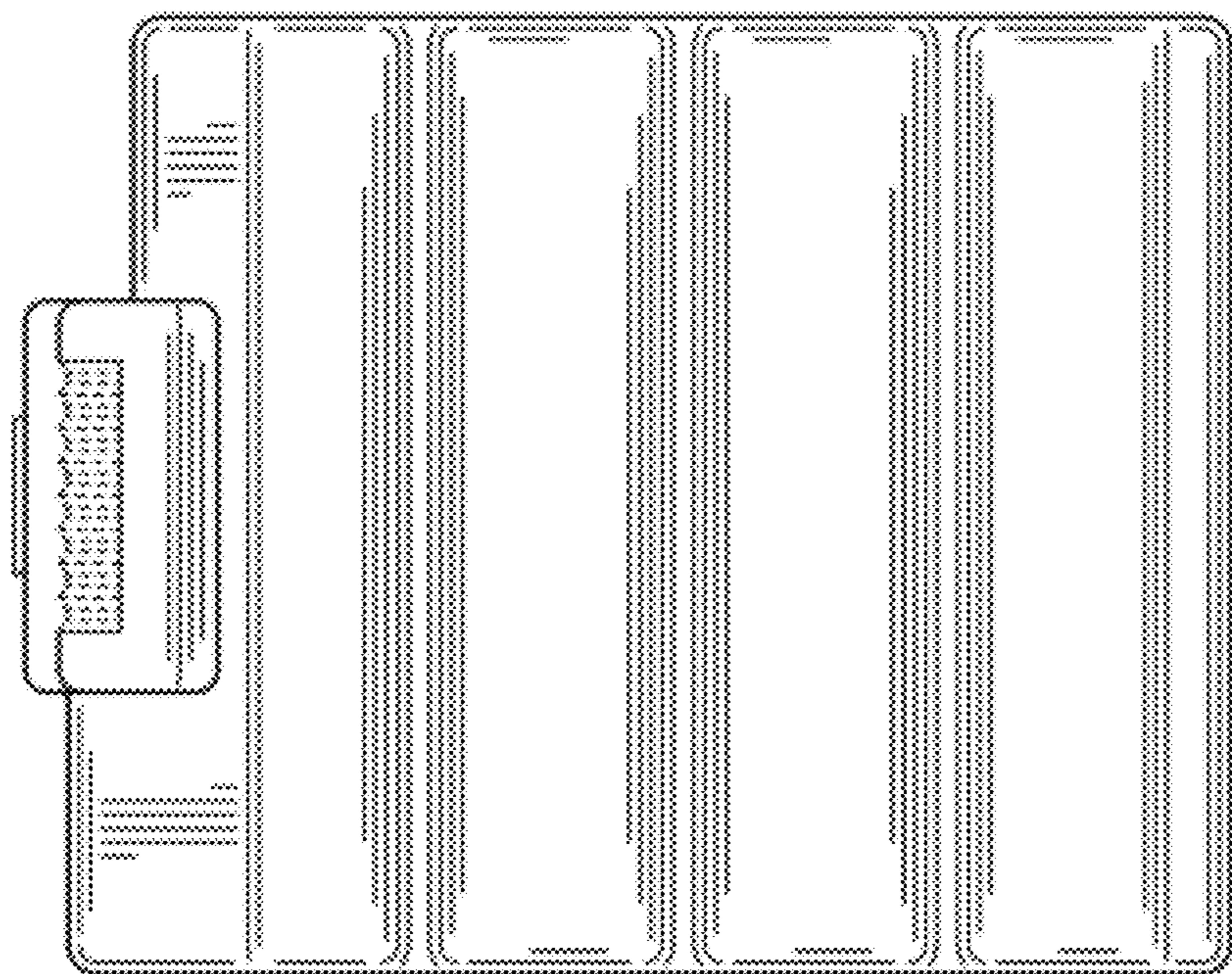


FIG. 7

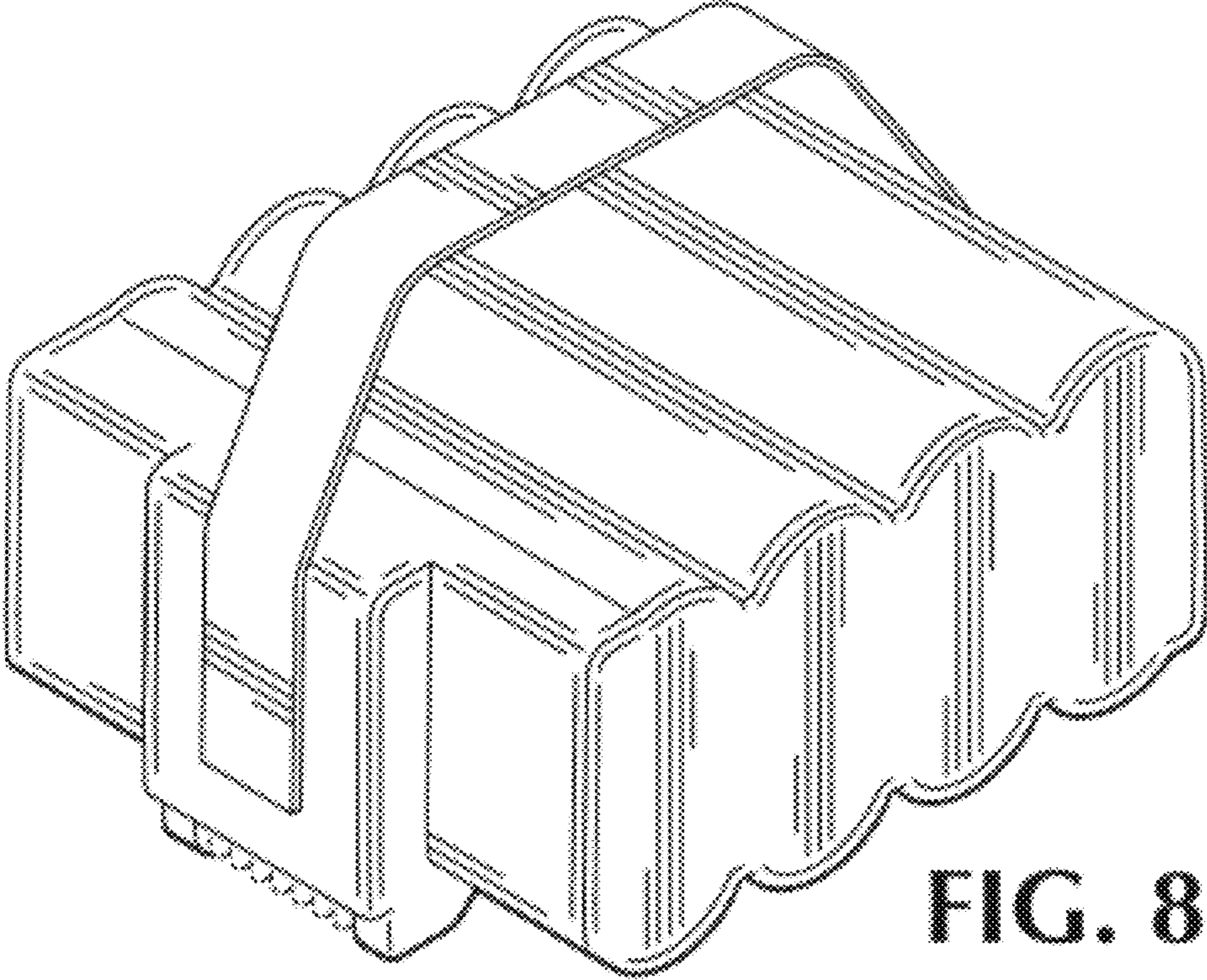


FIG. 8