

US00D668215S

(12) **United States Design Patent**
Lerner et al.

(10) **Patent No.:** **US D668,215 S**
(45) **Date of Patent:** **** Oct. 2, 2012**

(54) **SOLAR CHARGING STATION**
(75) Inventors: **Robert Lerner**, Port Washington, NY
(US); **Todd Dalland**, New York, NY
(US); **Colin Touhey**, Brooklyn, NY (US)

(73) Assignee: **Pvilion, Inc.**, New York, NY (US)

(**) Term: **14 Years**

(21) Appl. No.: **29/414,541**

(22) Filed: **Feb. 29, 2012**

(51) **LOC (9) Cl.** **13-02**

(52) **U.S. Cl.** **D13/102**

(58) **Field of Classification Search** D13/102,
D13/101, 107, 184, 199; D25/56, 61, 68,
D25/134; 52/173.3; 126/569, 571, 600,
126/621, 623, 680, 906; 136/243–246, 251;
248/49, 346.01, 346.02

See application file for complete search history.

(56) **References Cited**

U.S. PATENT DOCUMENTS

D408,554	S *	4/1999	Dinwoodie	D25/56
6,563,040	B2 *	5/2003	Hayden et al.	136/244
6,722,357	B2 *	4/2004	Shingleton	126/600
D565,505	S *	4/2008	Shugar et al.	D13/102
D584,223	S *	1/2009	Cooper	D13/102

D595,645	S *	7/2009	Beghelli	D13/102
D611,405	S *	3/2010	Mackler	D13/102
D631,824	S *	2/2011	Tanaka et al.	D13/102
2006/0090858	A1 *	5/2006	Heidenreich	160/68
2008/0216418	A1 *	9/2008	Durham	52/73
2009/0050194	A1 *	2/2009	Noble et al.	136/251

* cited by examiner

Primary Examiner — Derrick Holland

(74) *Attorney, Agent, or Firm* — Kramer Levin Naftalis & Frankel LLP

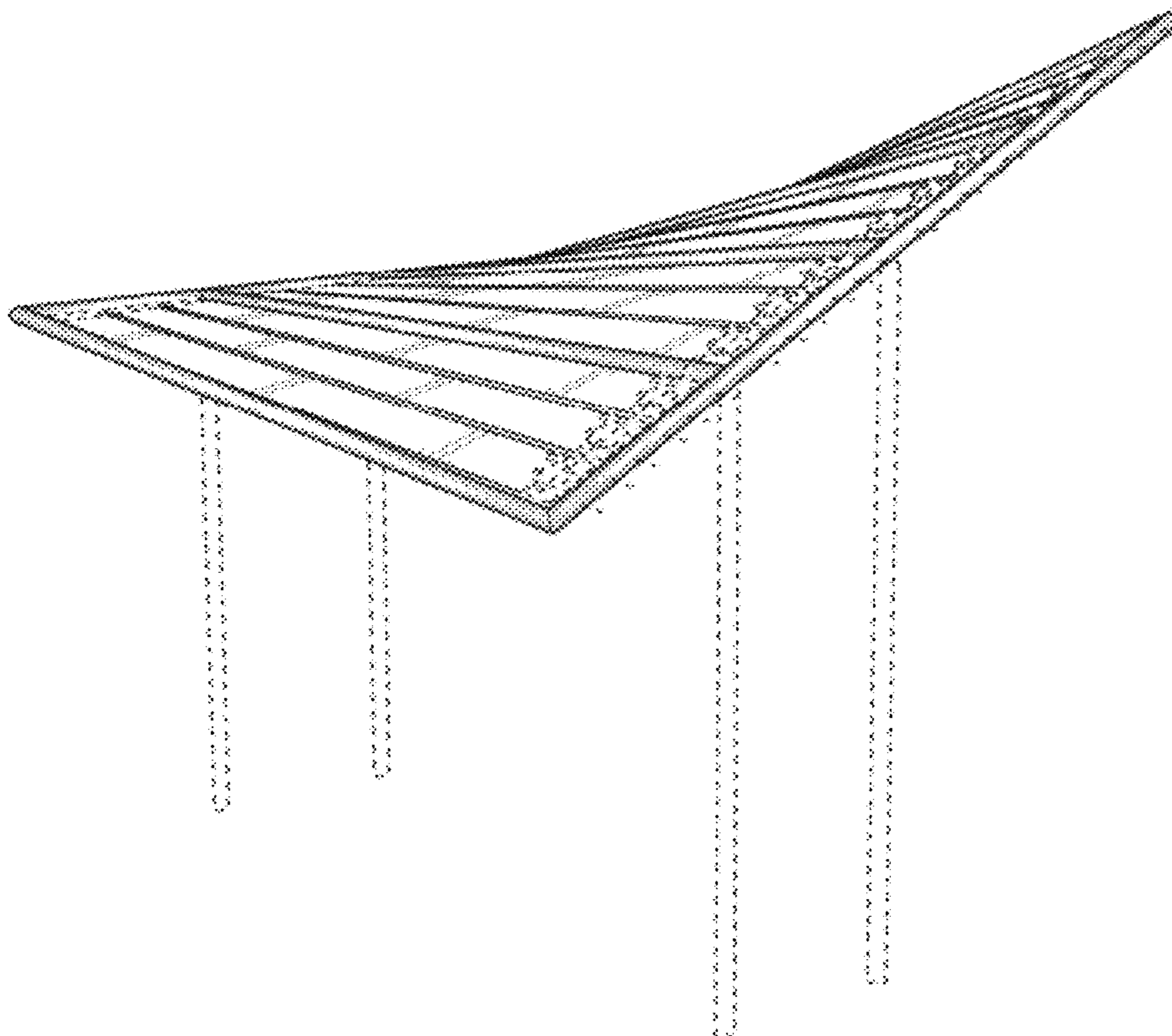
(57) **CLAIM**

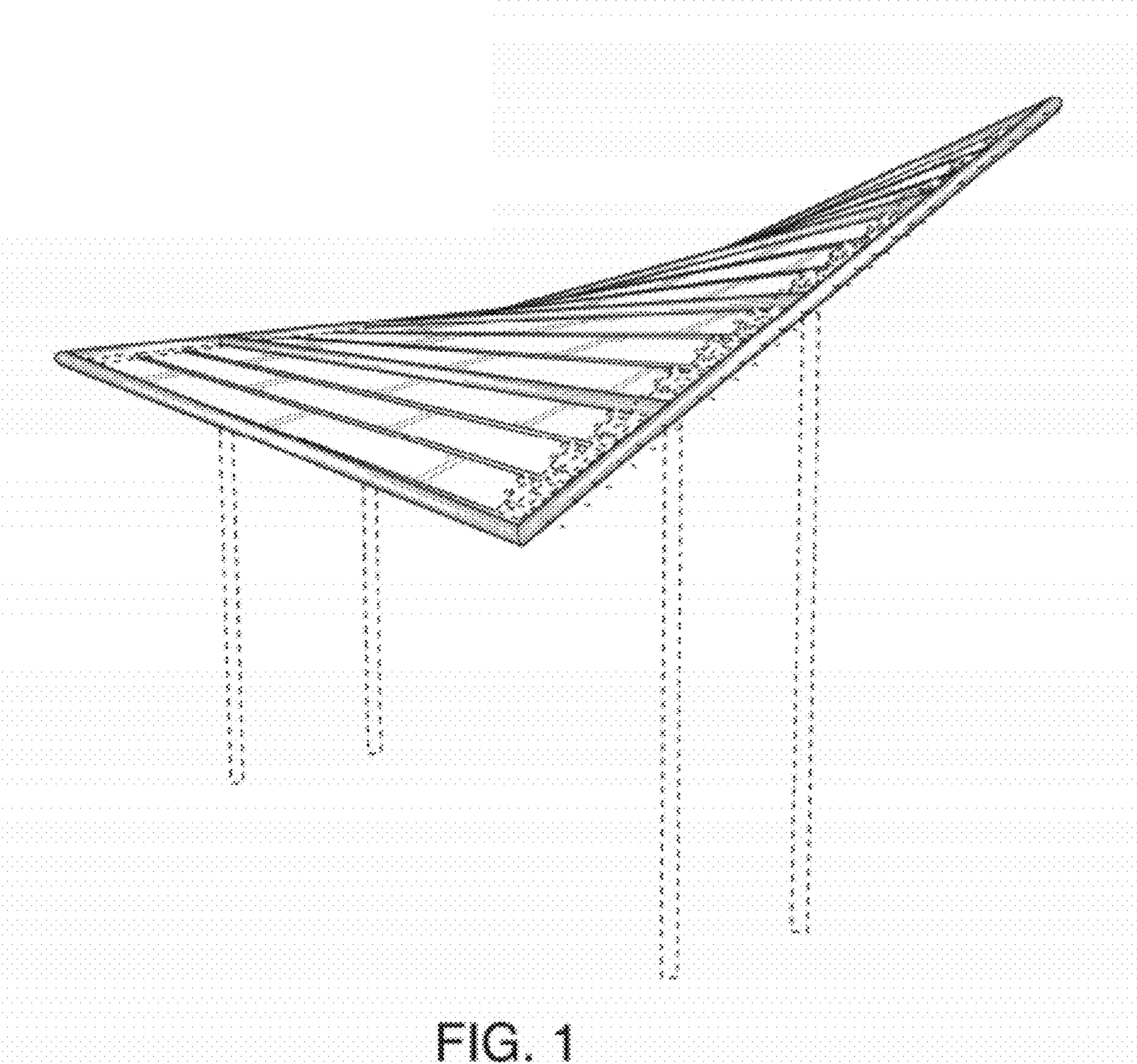
We claim the ornamental design for a solar charging station, as shown and described.

DESCRIPTION

FIG. 1 is a perspective view of a solar charging station showing our new design;
FIG. 2 is a front elevation view thereof;
FIG. 3 is a rear elevation view thereof;
FIG. 4 is a left side elevation view thereof;
FIG. 5 is a right side elevation view thereof;
FIG. 6 is a top plan view thereof; and,
FIG. 7 is a bottom plan view thereof.
The broken lines shown represent unclaimed subject matter and form no part of the claimed design.

1 Claim, 7 Drawing Sheets





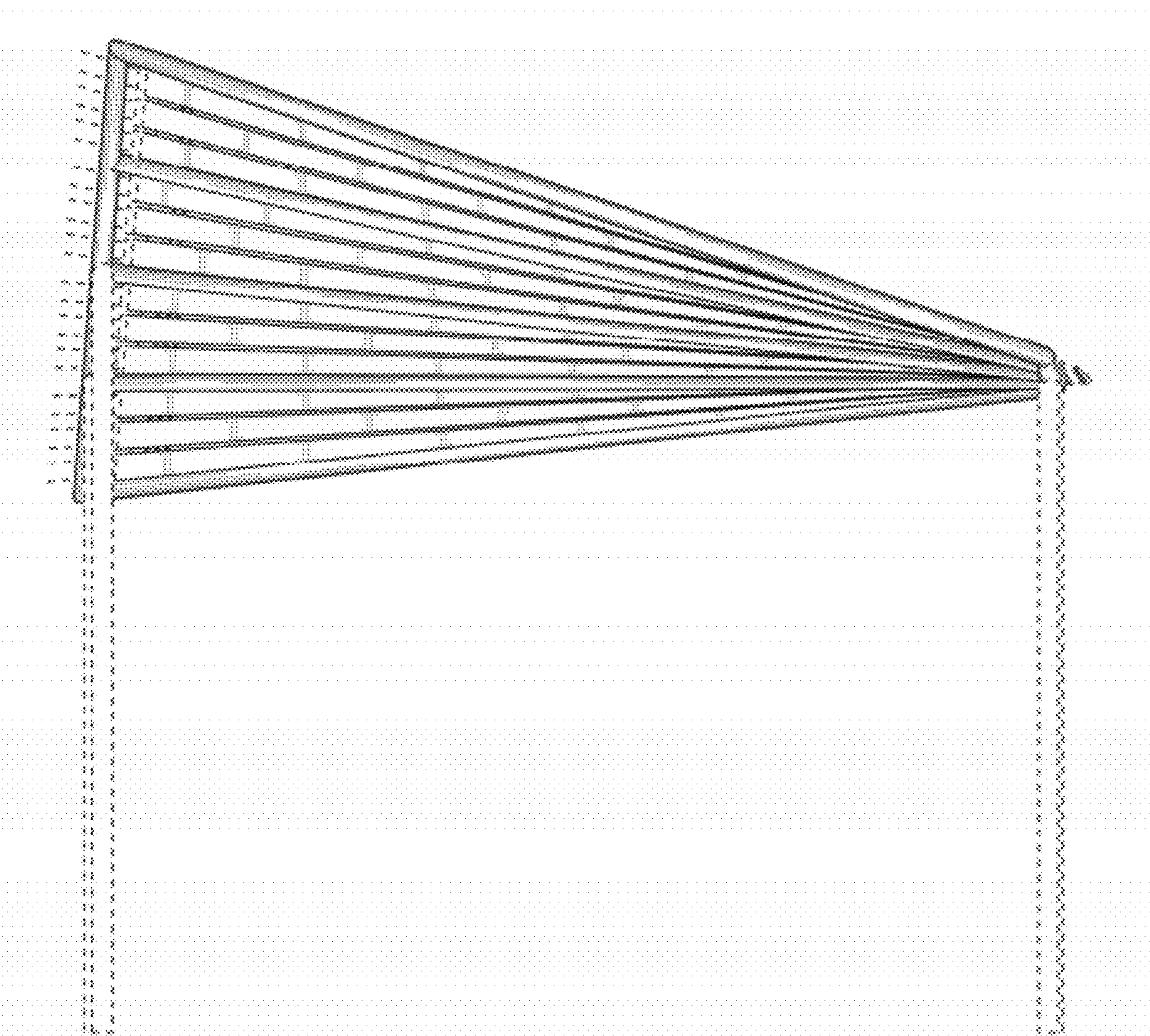


FIG. 2

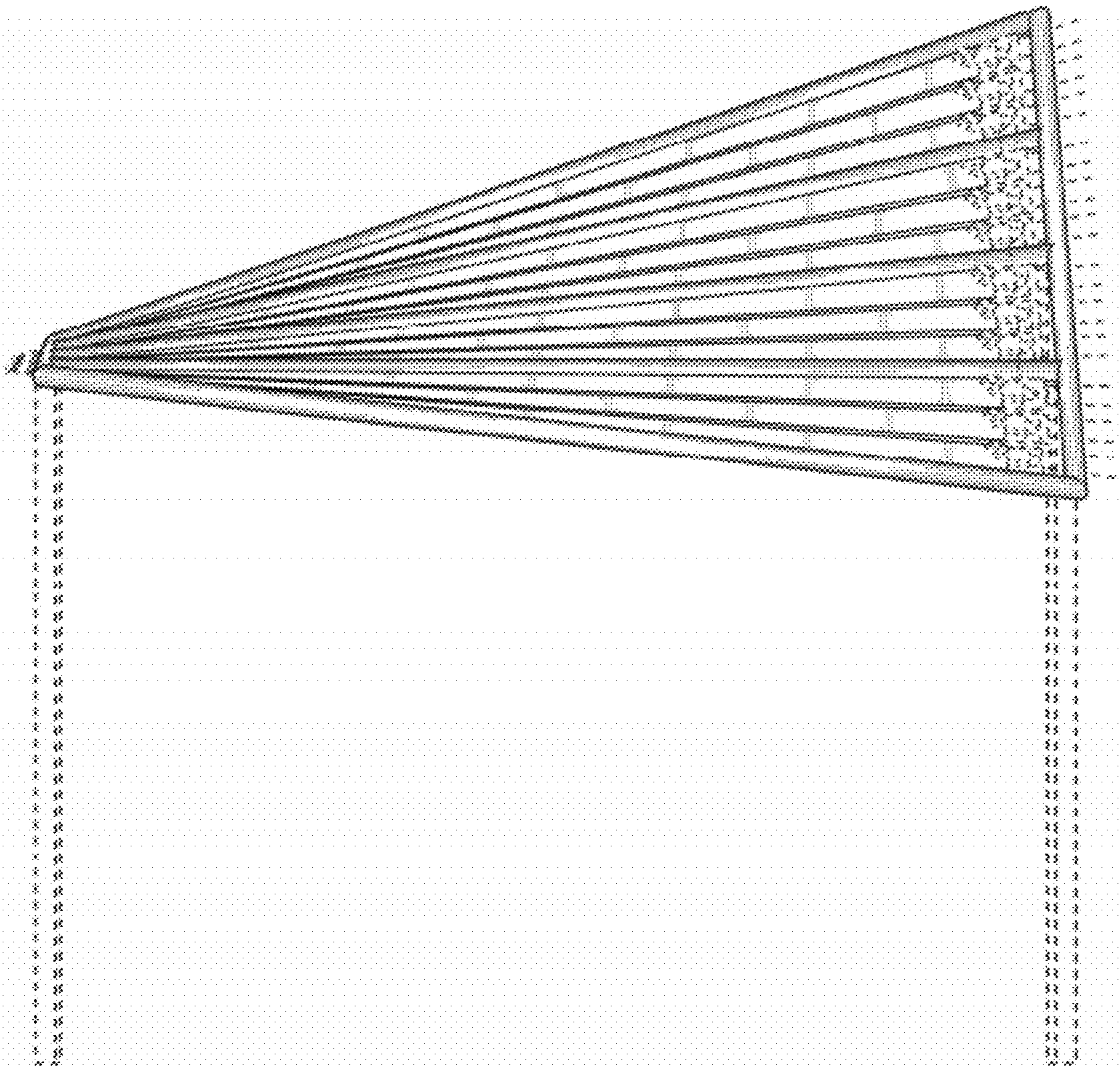


FIG. 3

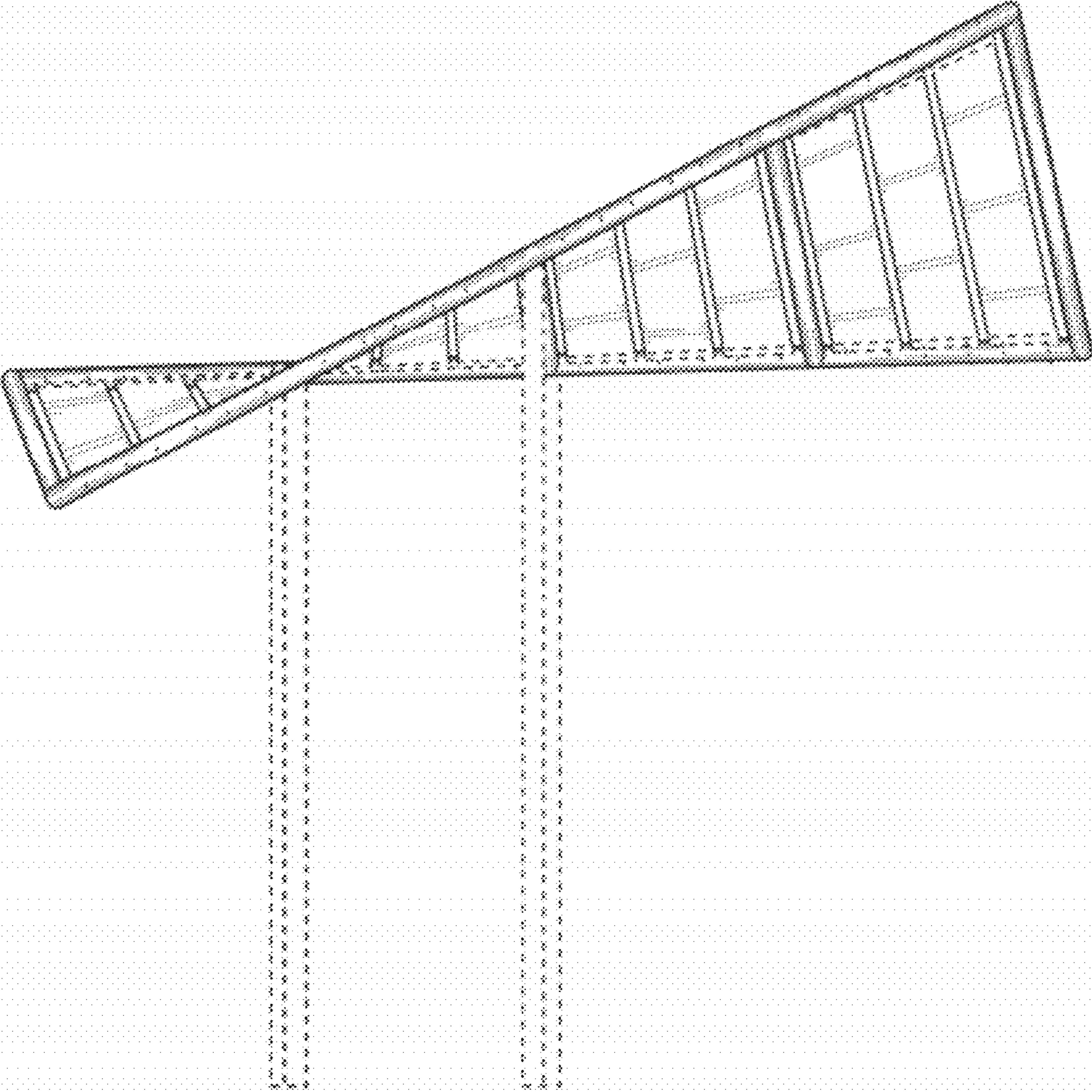


FIG. 4

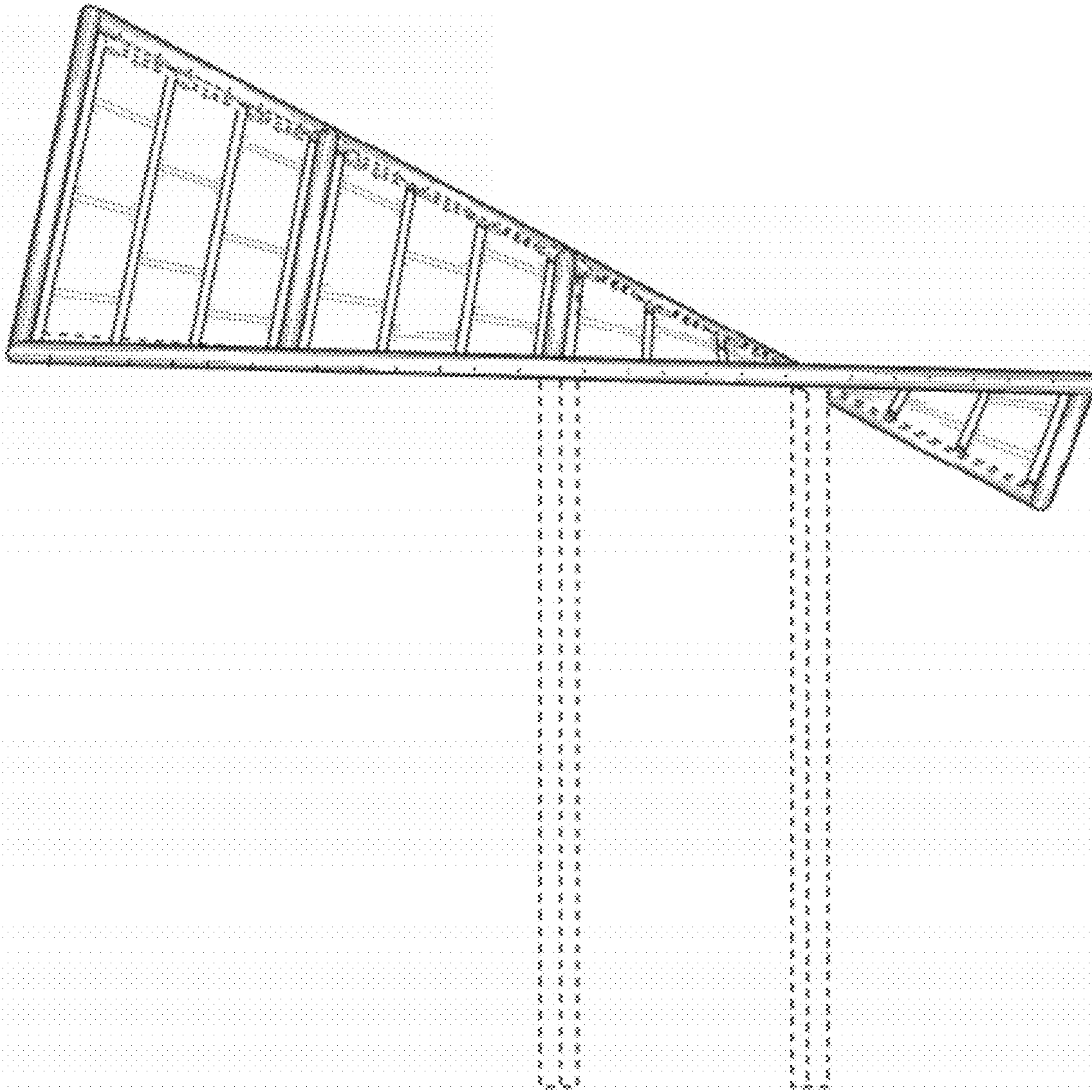


FIG. 5

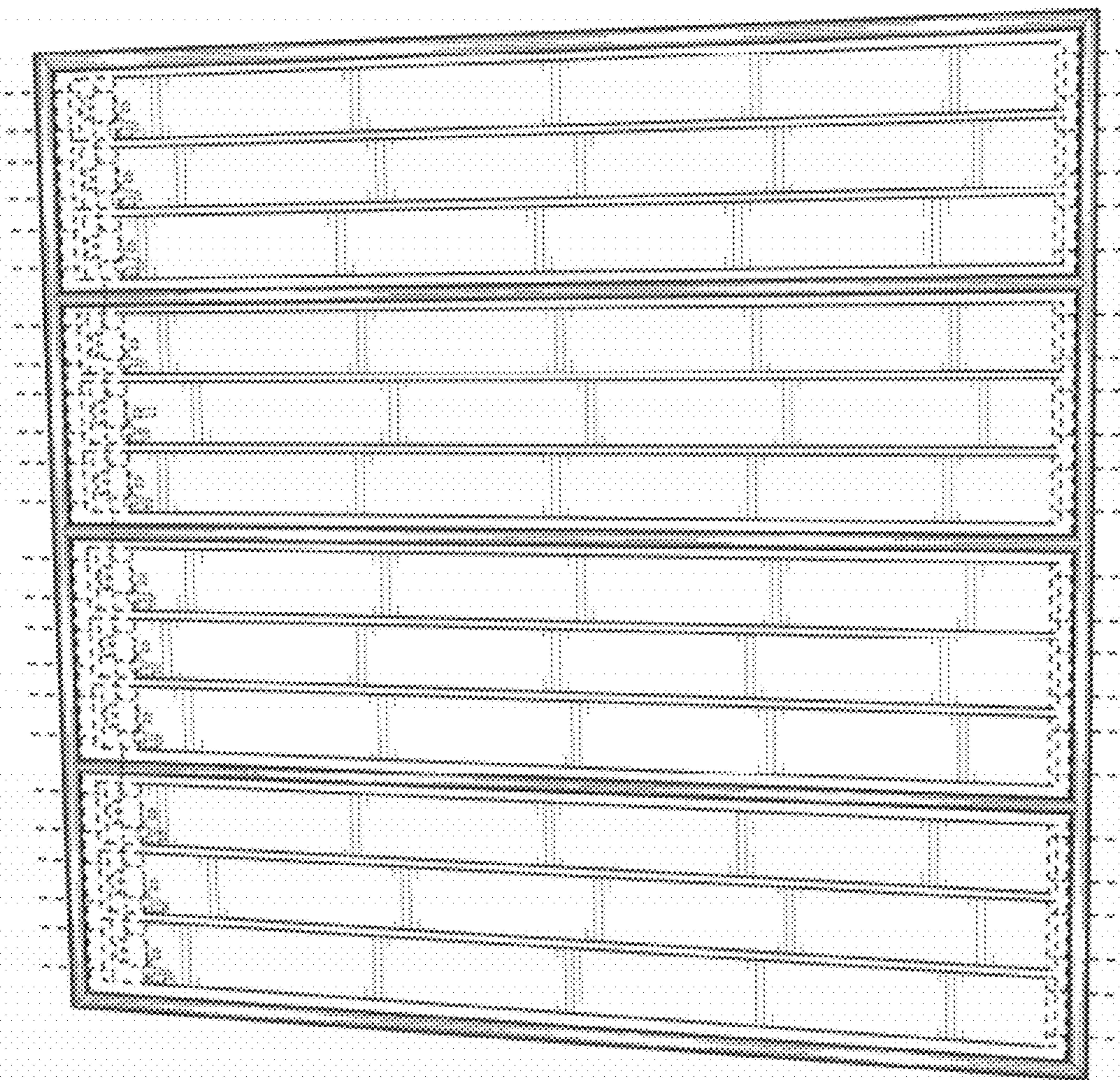


FIG. 6

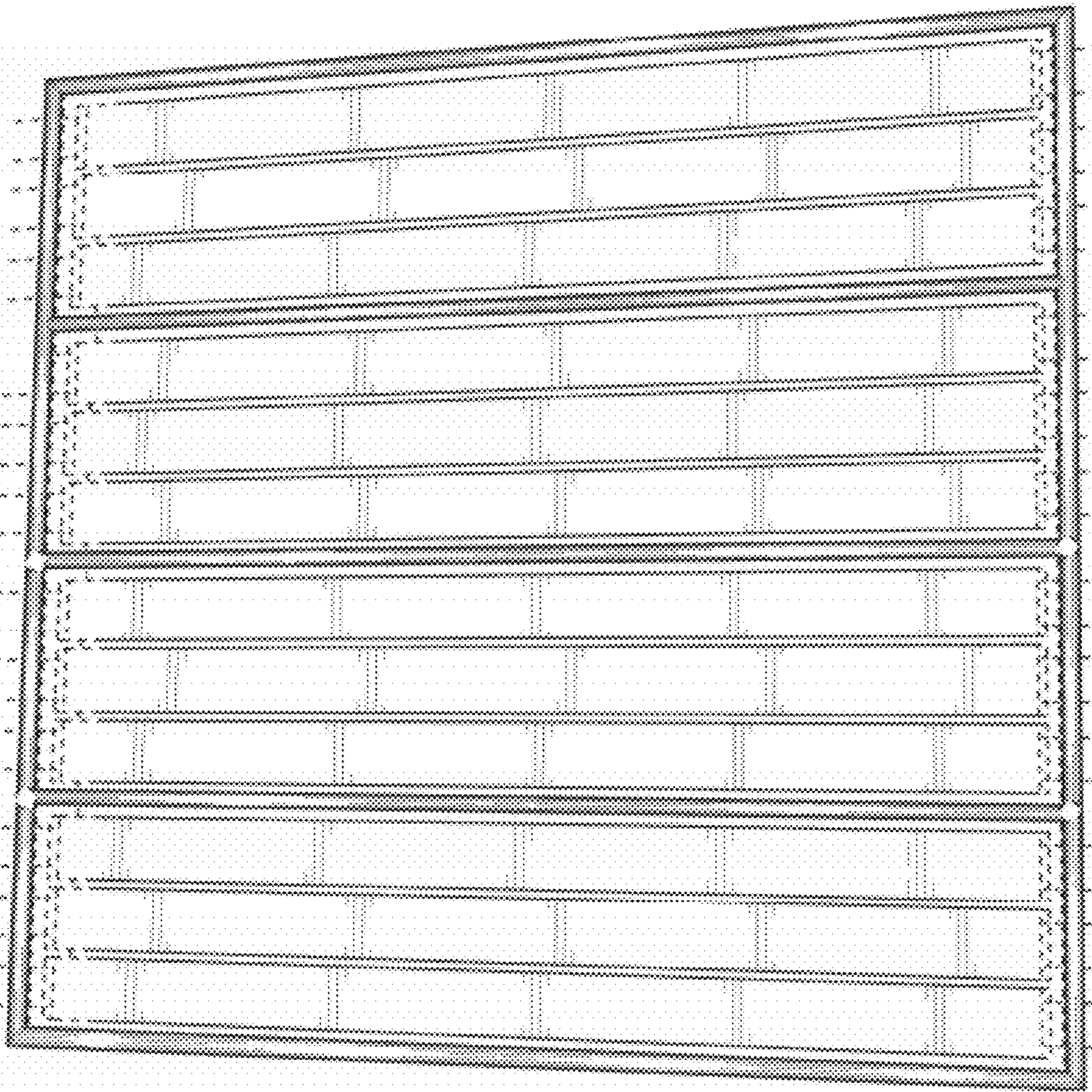


FIG. 7