



US00D668213S

(12) **United States Design Patent**
Barron

(10) **Patent No.:** **US D668,213 S**

(45) **Date of Patent:** **** Oct. 2, 2012**

(54) **HORIZONTAL SOLAR ENERGY COLLECTOR**

(75) Inventor: **Andrew Ross Barron**, Houston, TX (US)

(73) Assignee: **Natcore Technology, Inc.**, Red Bank, NJ (US)

(**) Term: **14 Years**

(21) Appl. No.: **29/368,952**

(22) Filed: **Aug. 31, 2010**

(51) **LOC (9) Cl.** **13-02**

(52) **U.S. Cl.** **D13/102**

(58) **Field of Classification Search** D13/102,
D13/101, 184, 199; 4/493, 498; 126/561-568,
126/573, 585, 623, 624, 626, 627, 640, 658,
126/661, 904, 908; 136/206, 244-251, 256,
136/291, 292

See application file for complete search history.

(56) **References Cited**

U.S. PATENT DOCUMENTS

4,022,184 A * 5/1977 Anderson 126/573
D249,962 S * 10/1978 Barr D25/56
4,181,482 A * 1/1980 Cohen 126/606
D260,282 S * 8/1981 Fattor D13/102

D280,234 S * 8/1985 Takeuchi et al. D13/102
D283,536 S * 4/1986 Fossum D13/102
D291,926 S * 9/1987 Schlepp D26/67
5,347,984 A * 9/1994 Klaren 126/564
D425,013 S * 5/2000 Lai D13/102
D448,722 S * 10/2001 Drummond D13/102

* cited by examiner

Primary Examiner — Derrick Holland

(74) *Attorney, Agent, or Firm* — Winstead PC

(57) **CLAIM**

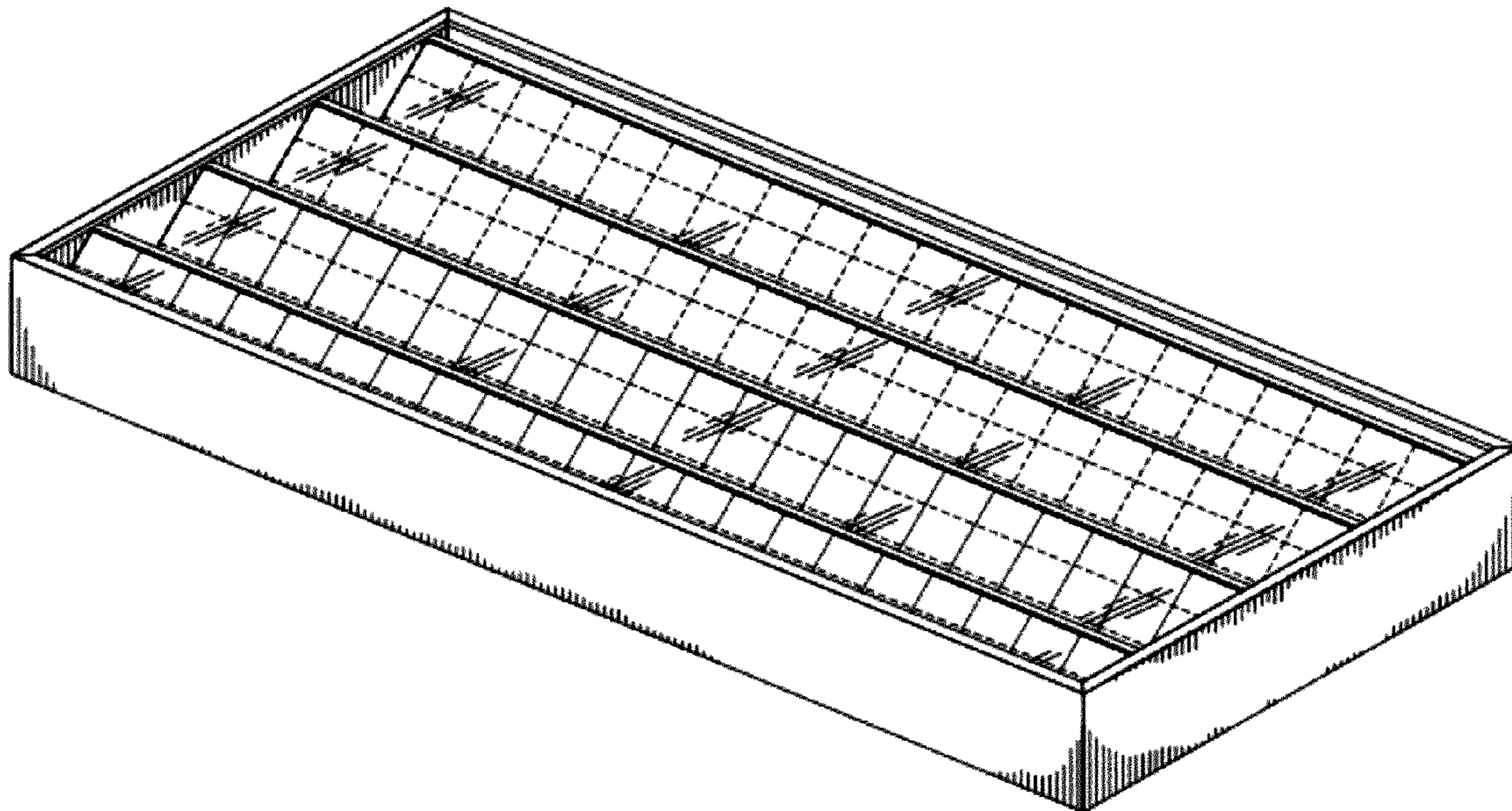
I claim the ornamental design for a horizontal solar energy collector, as shown and described.

DESCRIPTION

FIG. 1 is a perspective view of a horizontal solar energy collector showing my new design;
FIG. 2 is a front view thereof;
FIG. 3 is a back view thereof;
FIG. 4 is a left side view thereof;
FIG. 5 is a right side view thereof;
FIG. 6 is a top plan view thereof;
FIG. 7 is a bottom plan view thereof; and,
FIG. 8 is a perspective view thereof, shown in environmental use.

The broken lines shown represent unclaimed subject matter and form no part of the claimed design.

1 Claim, 3 Drawing Sheets



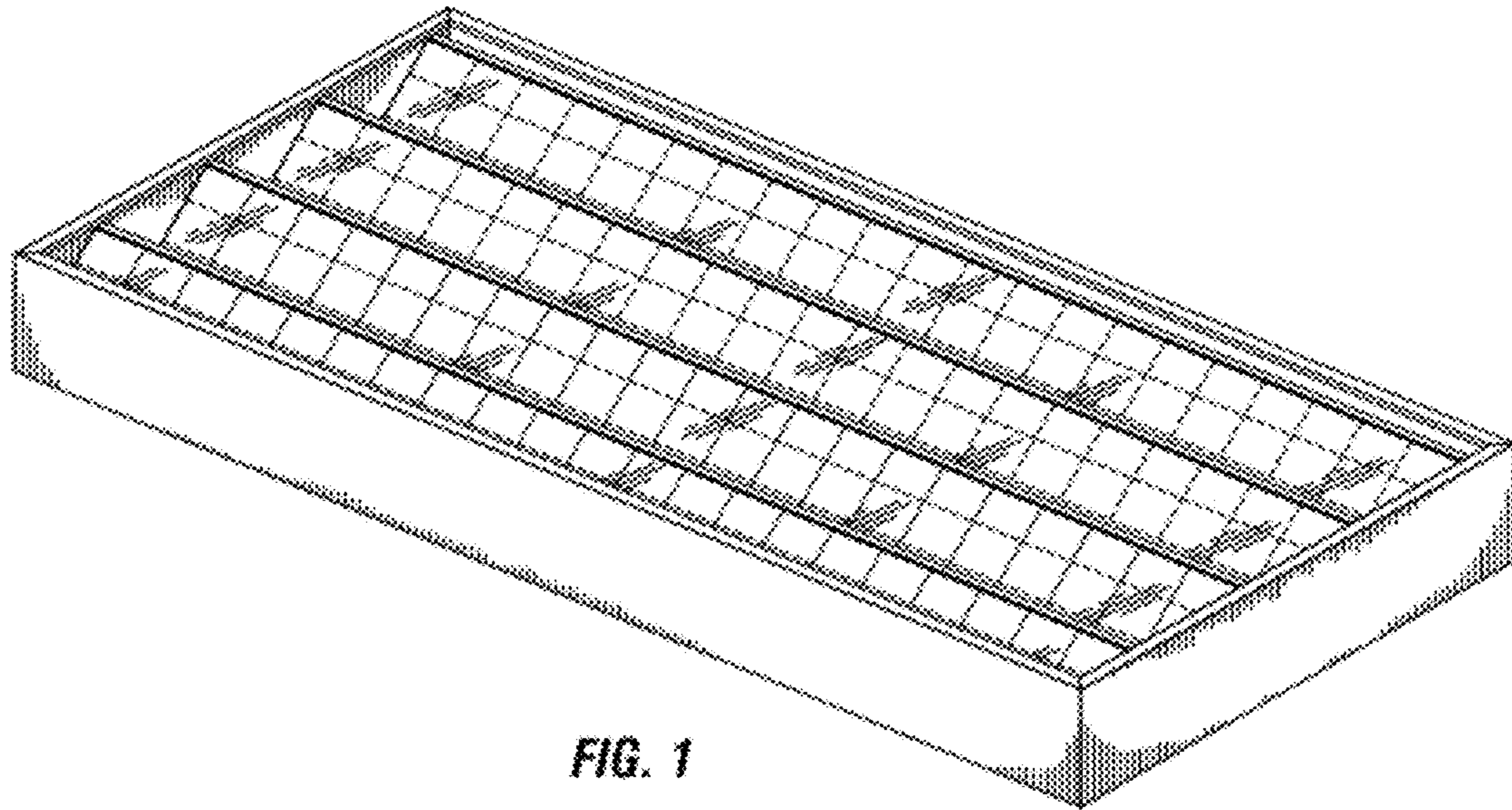


FIG. 1



FIG. 2



FIG. 3



FIG. 4



FIG. 5

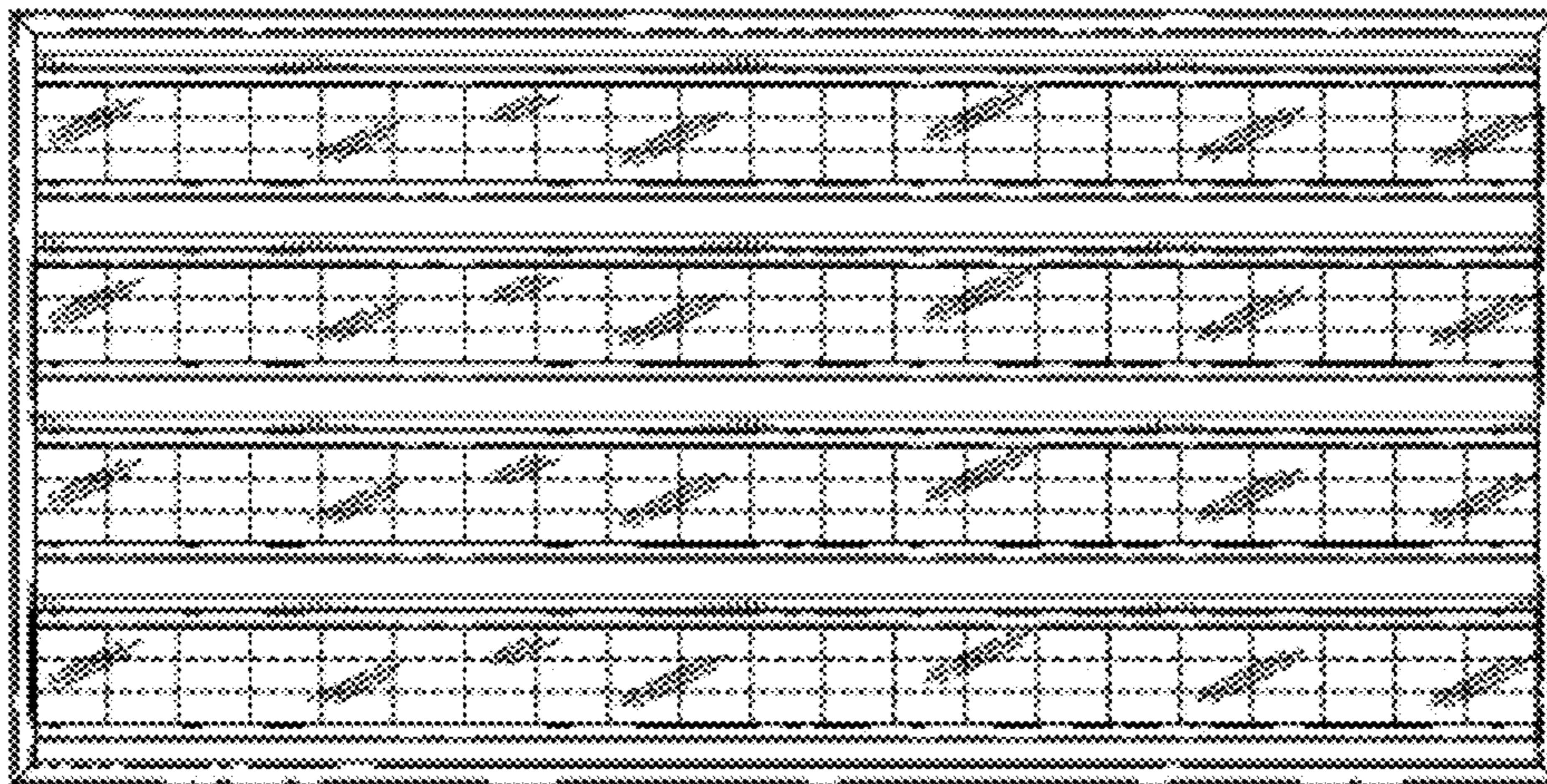


FIG. 6

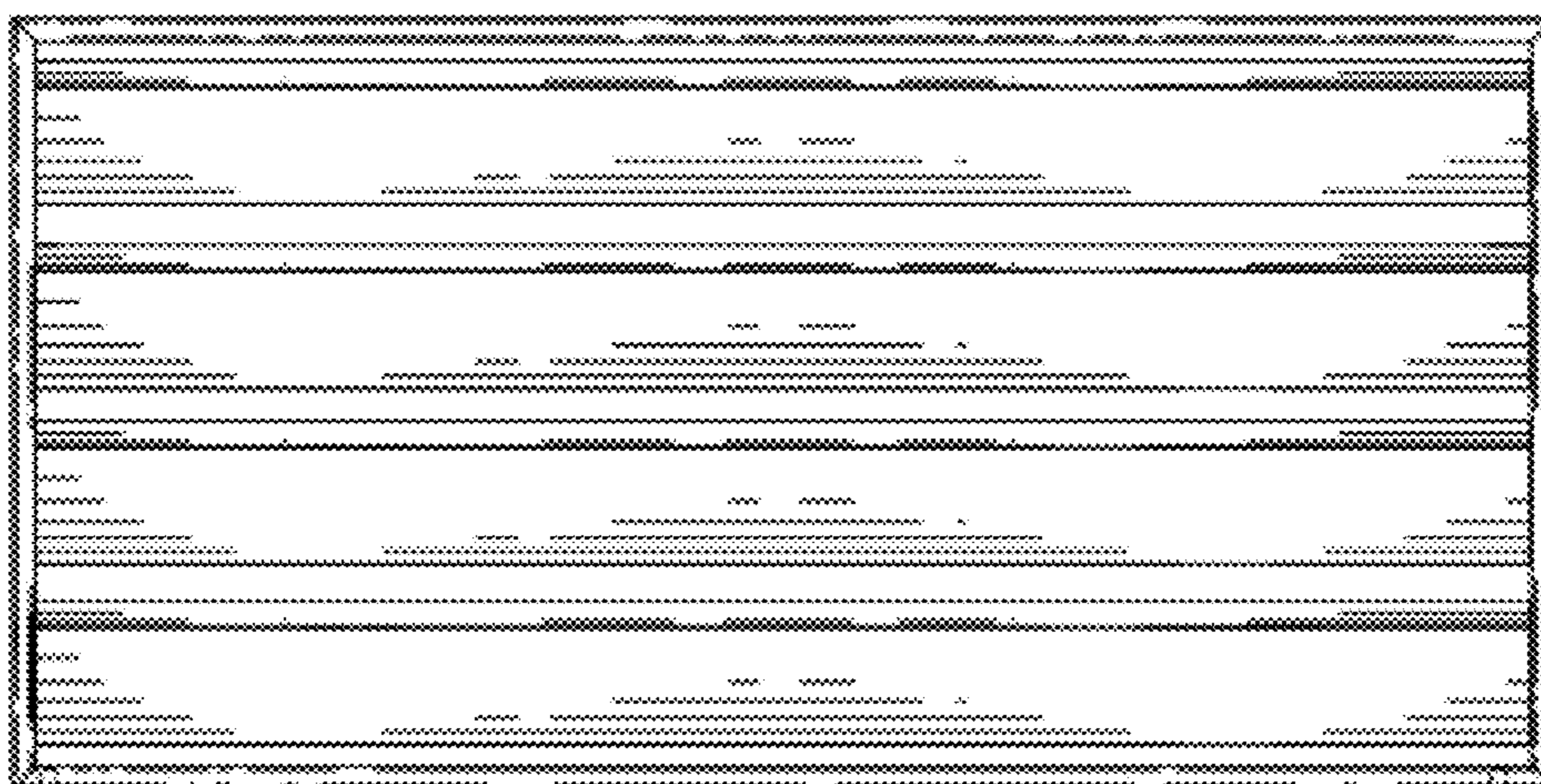


FIG. 7

