



US00D668211S

(12) **United States Design Patent**
Feng et al.

(10) **Patent No.:** **US D668,211 S**
(45) **Date of Patent:** **** Oct. 2, 2012**

(54) **SEGMENTED ELECTROPLATING ANODE AND ANODE SEGMENT**

(75) Inventors: **Jingbin Feng**, Lake Oswego, OR (US);
Marshall Stowell, Wilsonville, OR (US)

(73) Assignee: **Novellus Systems, Inc.**, San Jose, CA (US)

(**) Term: **14 Years**

(21) Appl. No.: **29/369,658**

(22) Filed: **Sep. 10, 2010**

(51) **LOC (9) Cl.** **13-02**

(52) **U.S. Cl.** **D13/101**

(58) **Field of Classification Search** D13/101,
D13/117, 118, 121, 165, 166, 182, 199; 204/194,
204/196.23, 196.38, 276, 279, 492; 205/292,
205/336, 375, 704, 708, 737, 738, 739; 363/66,
363/70

See application file for complete search history.

(56) **References Cited**

U.S. PATENT DOCUMENTS

D178,554	S *	8/1956	Stone	D13/199
5,078,852	A *	1/1992	Yee et al.	204/297.05
5,671,116	A *	9/1997	Husain	361/234
6,004,440	A *	12/1999	Hanson et al.	204/279
6,721,162	B2 *	4/2004	Weldon et al.	361/234
D489,319	S *	5/2004	Månsson et al.	D13/101
D546,784	S *	7/2007	Hayashi	D13/182
D570,310	S *	6/2008	Sasaki	D13/182
D604,693	S *	11/2009	Sugawara et al.	D13/101
D609,652	S *	2/2010	Nagasaka et al.	D13/182
D614,593	S *	4/2010	Lee et al.	D13/182
D615,488	S *	5/2010	Chen et al.	D13/101
D624,890	S *	10/2010	Schadeck et al.	D13/199
2009/0211900	A1	8/2009	Rash et al.		

OTHER PUBLICATIONS

U.S. Appl. No. 12/879,484, "Front Referenced Anode", Feng et al., filed Sep. 10, 2010.

EP patent application No. 001260111, Certificate of Registration issued Feb. 15, 2011.

SG patent application No. D2011/261/I, Certificate of Registration dated Apr. 25, 2011.

CN patent application No. 201130040306.7, Notification of Grant mailed Apr. 28, 2011.

JP patent application No. 2011-005362, Certificate of Design Registration No. 1437774 dated Mar. 9, 2012.

KR patent application No. 30-2011-0005223, Office Action mailed Apr. 20, 2012.

U.S. Appl. No. 29/420,177, "Segmented electroplating anode and anode segment," Mayer et al., filed May 4, 2012.

TW patent application No. 100301070, Office Action mailed Sep. 23, 2011.

Novellus SABRE Extreme Manual, p. 396, Oct. 7, 2008.

Novellus SABRE xT Manual, p. 423, Mar. 16, 2007.

* cited by examiner

Primary Examiner — Derrick Holland

(74) *Attorney, Agent, or Firm* — Weaver Austin Villeneuve & Sampson LLP

(57) **CLAIM**

We claim the ornamental design for a segmented electroplating anode and anode segment, as shown and described.

DESCRIPTION

FIG. 1 is a top perspective view of a segmented electroplating anode and anode segment showing our new design;

FIG. 2 is a bottom perspective view thereof;

FIG. 3 is a top plan view thereof;

FIG. 4 is a bottom plan view thereof;

FIG. 5 is a left side elevation view thereof;

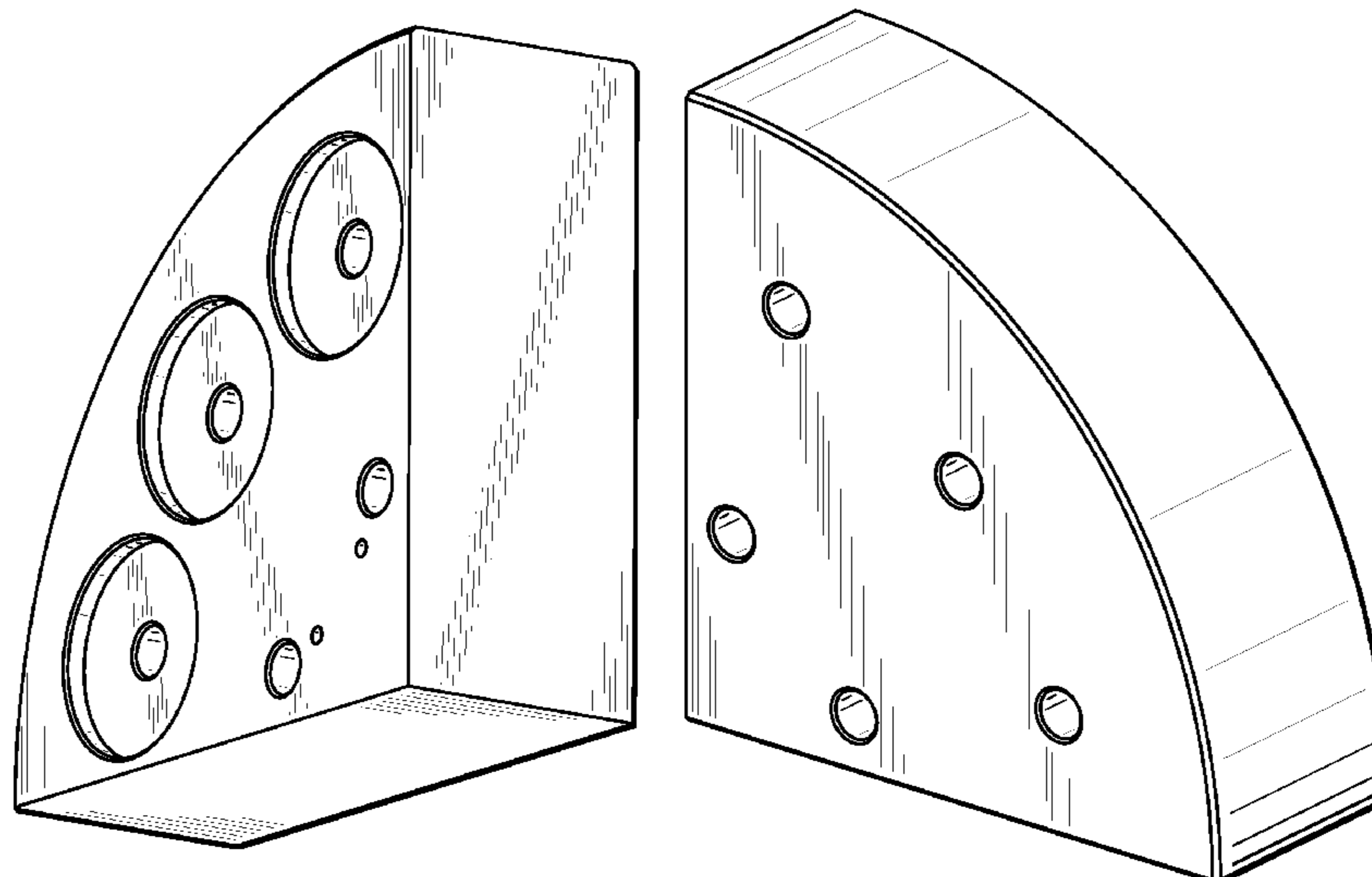
FIG. 6 is a right side elevation view thereof;

FIG. 7 is a top perspective view shown in environmental use; and,

FIG. 8 is a bottom perspective view shown in environmental use.

The broken lines shown represent unclaimed subject matter and form no part of the claimed design.

1 Claim, 4 Drawing Sheets



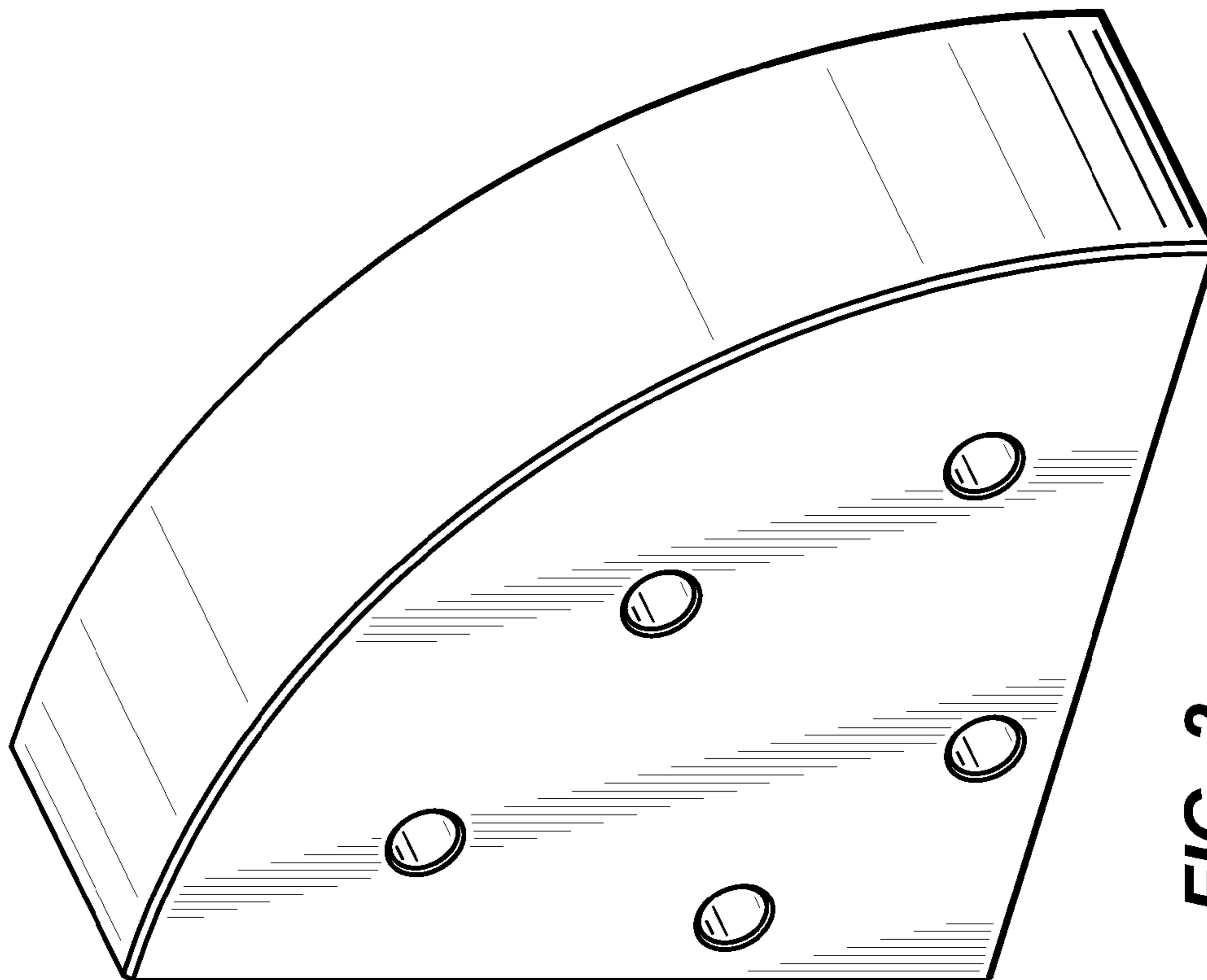


FIG. 2

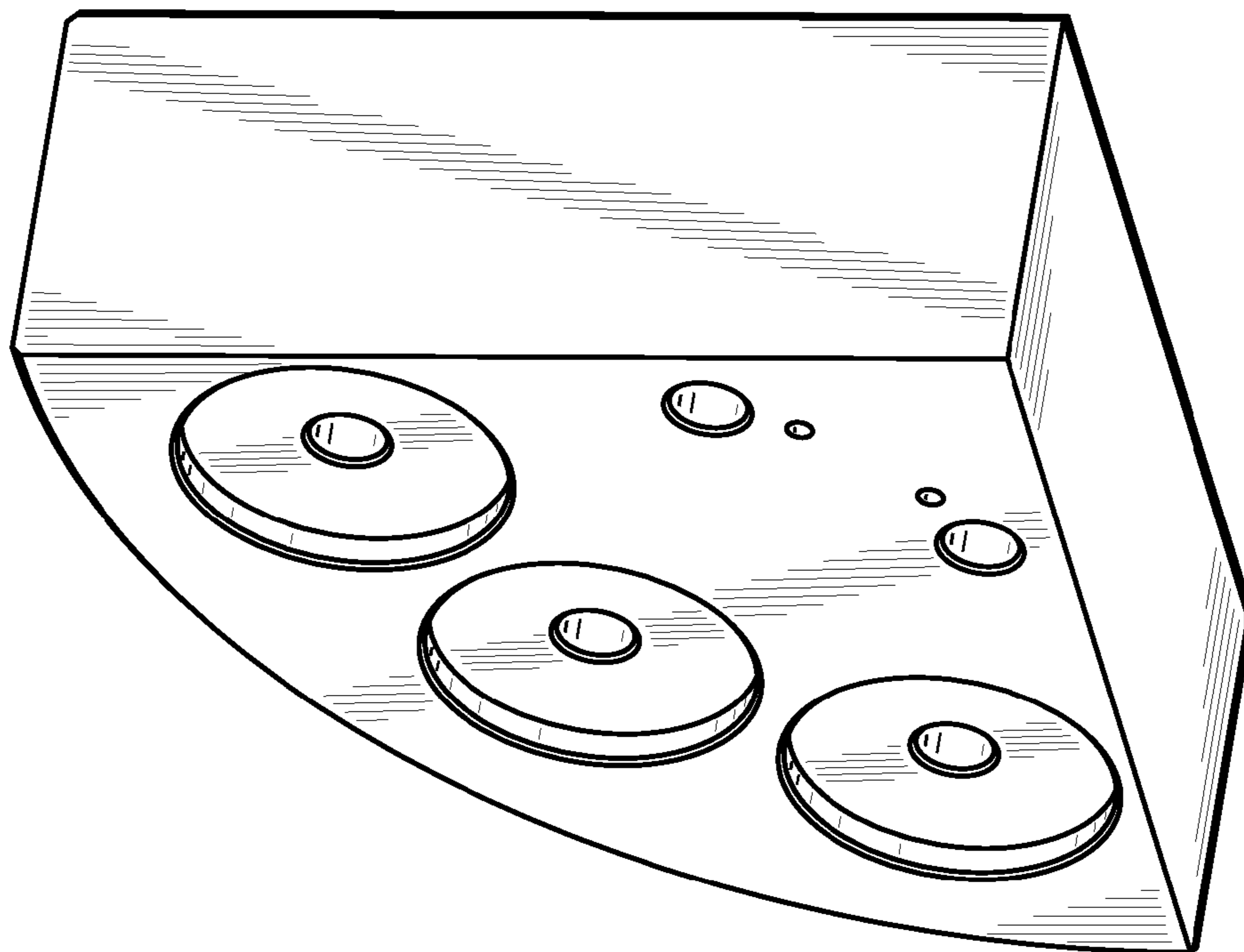


FIG. 1

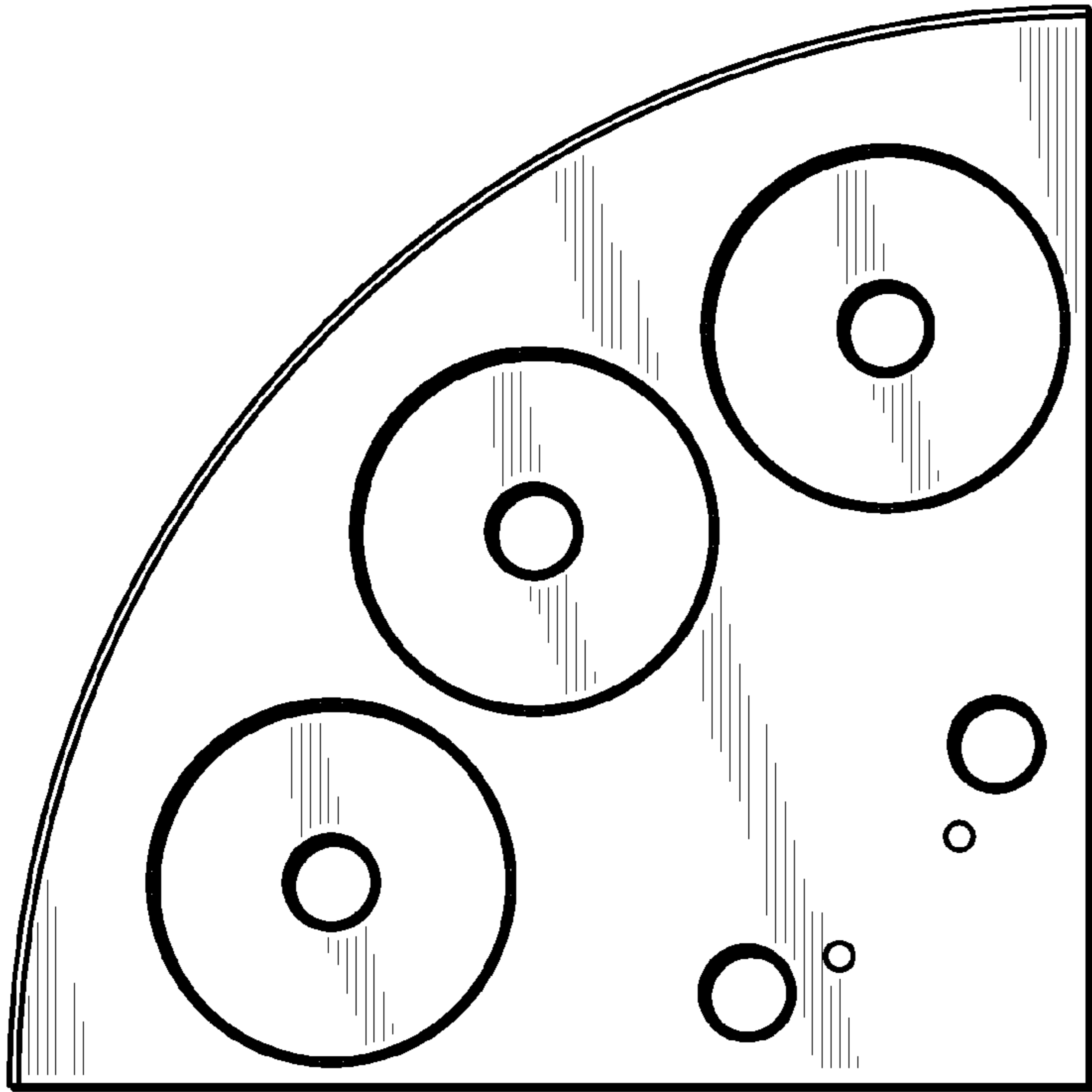


FIG. 3

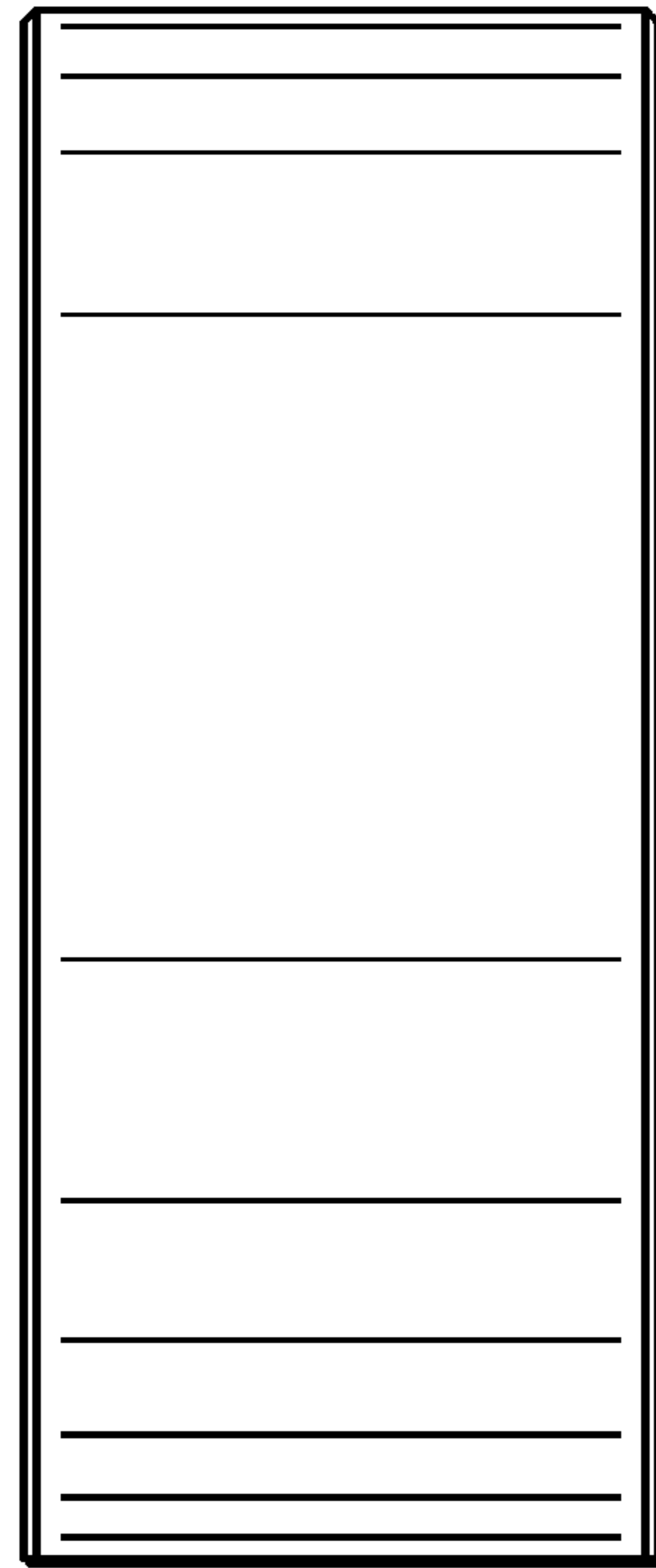


FIG. 5

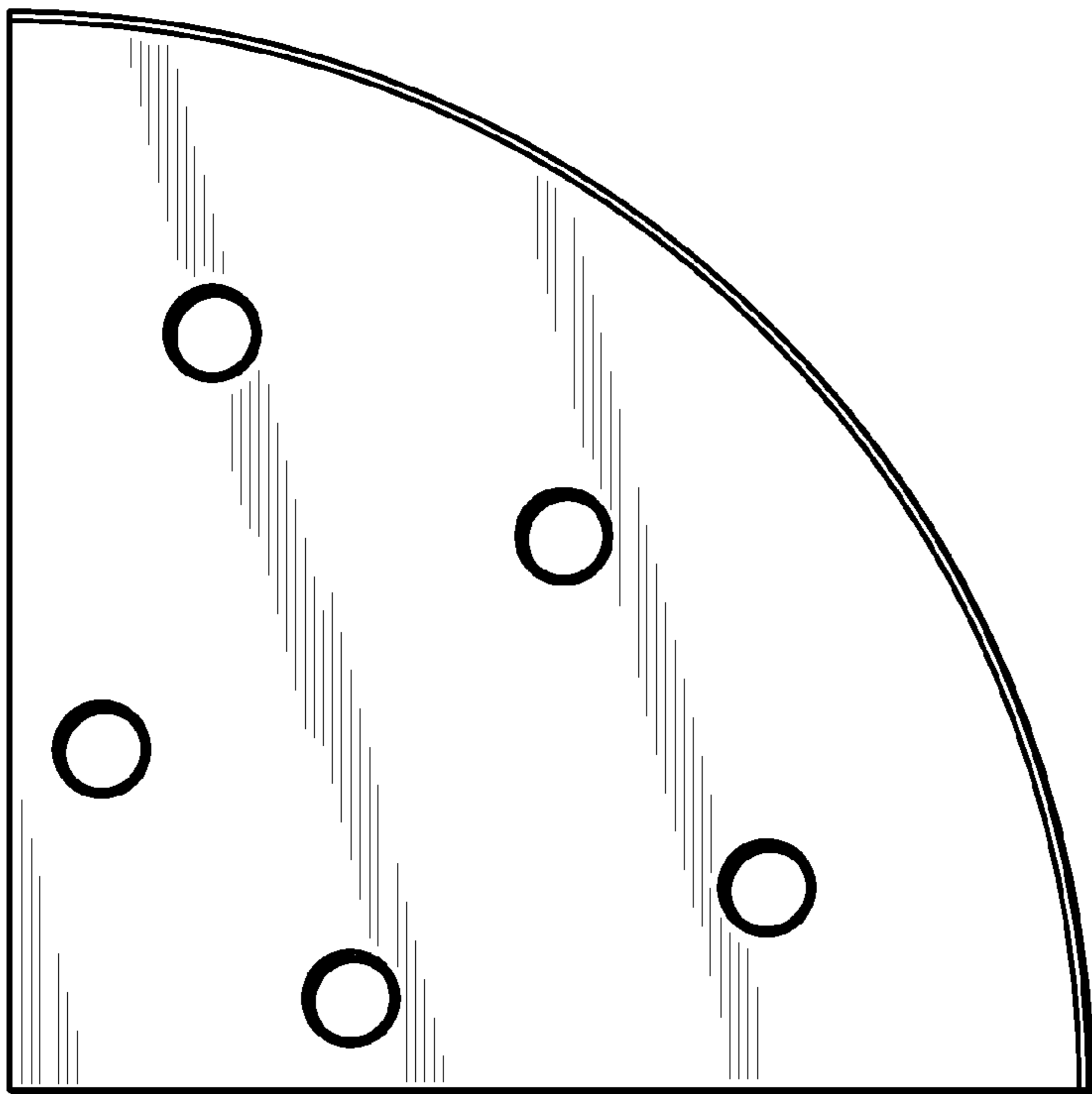


FIG. 4

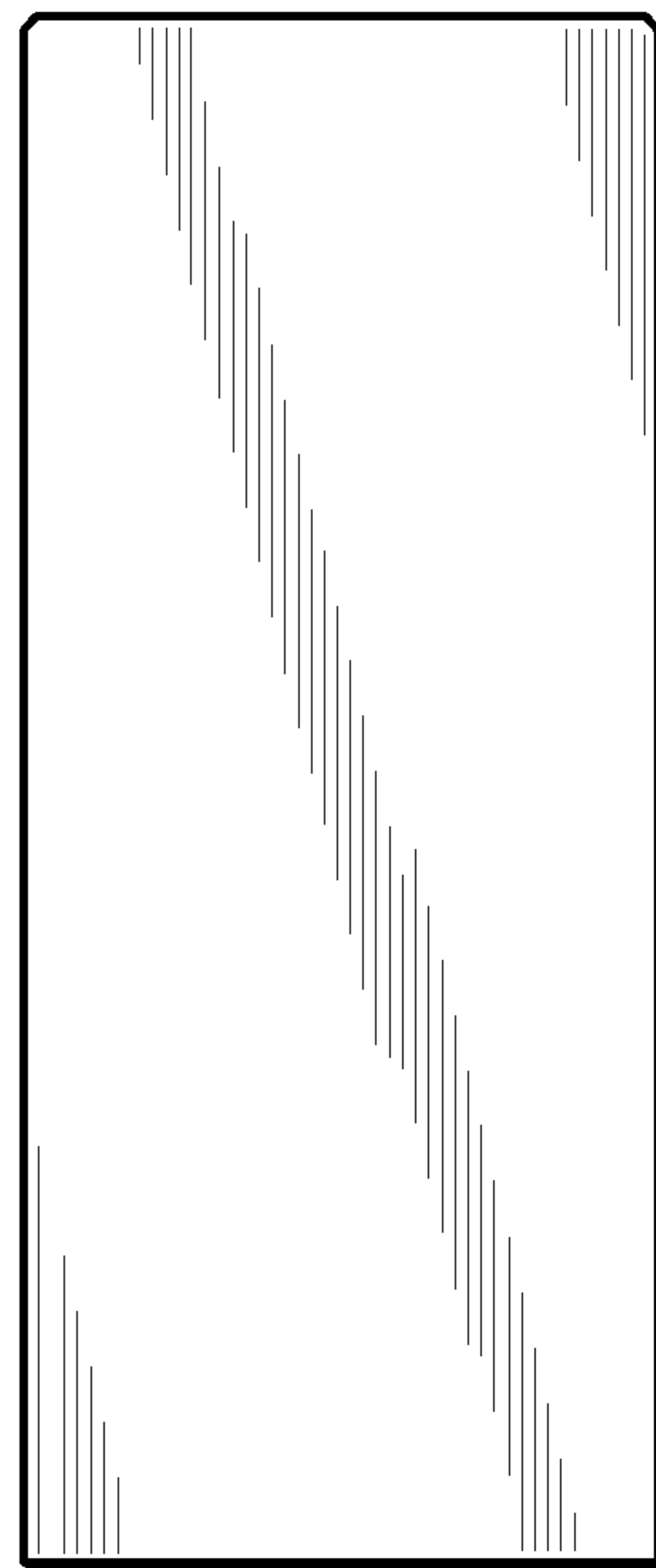


FIG. 6

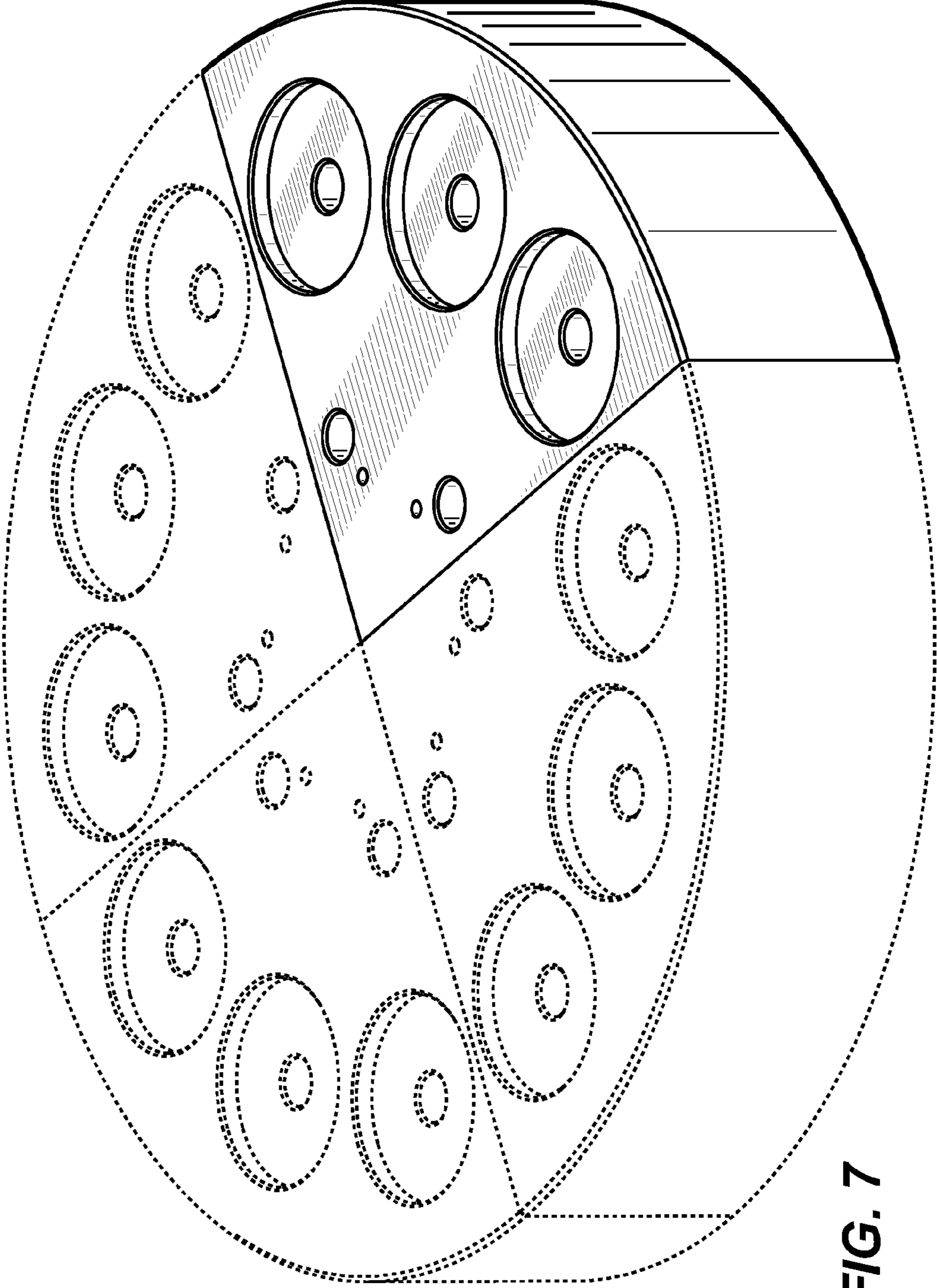


FIG. 7

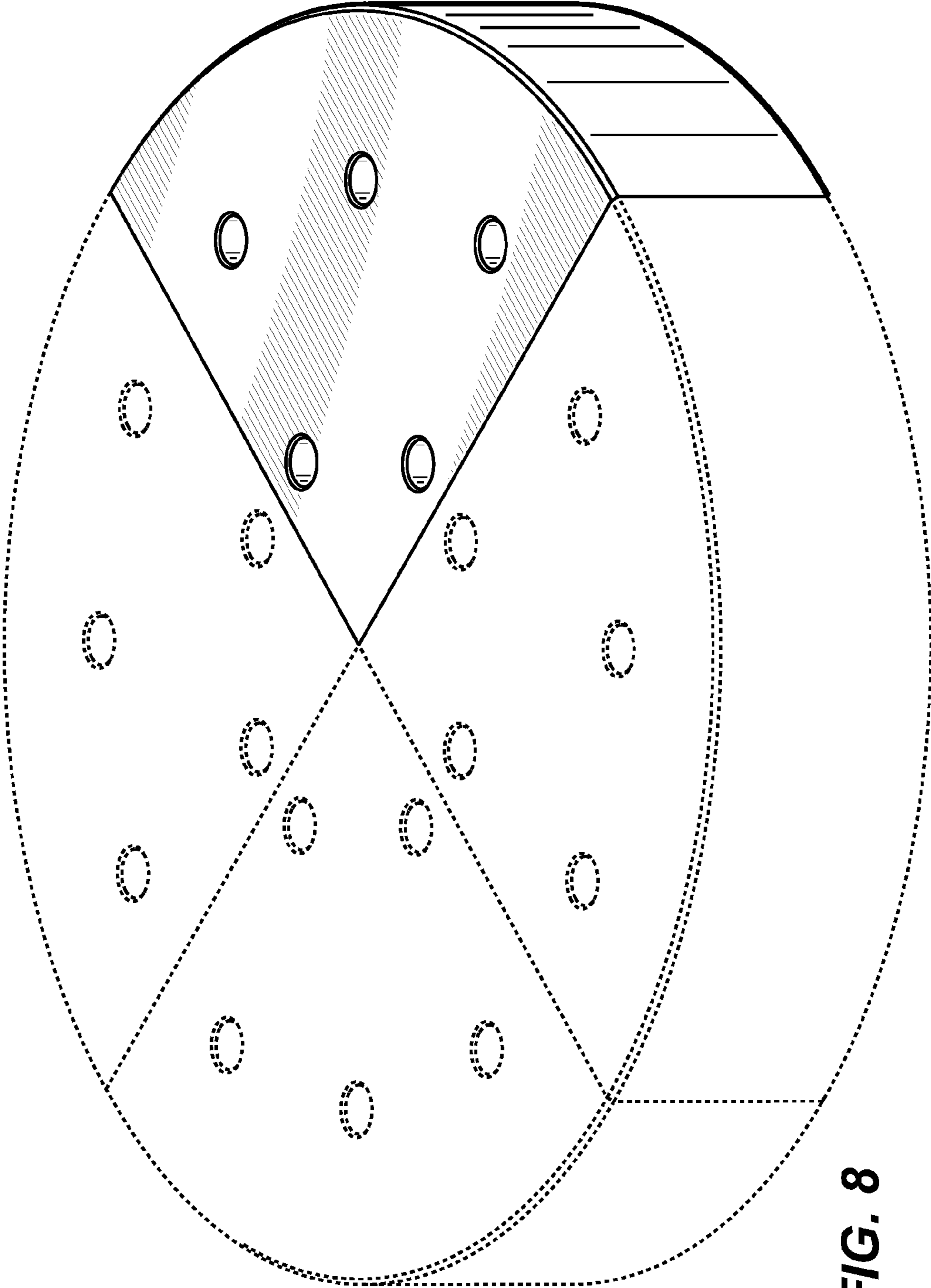


FIG. 8