

US00D668206S

(12) **United States Design Patent**
Moore et al.

(10) **Patent No.:** **US D668,206 S**
(45) **Date of Patent:** **** Oct. 2, 2012**

(54) **TIRE TREAD**

(75) Inventors: **Ralston Moore**, Fountain Inn, SC (US);
Paul Mayni, Greenville, SC (US);
Daniel McEachern Hicks, Greenville,
SC (US); **Bill Hudek**, Greenville, SC
(US)

(73) Assignees: **Compagnie Generale des**
Etablissements Michelin,
Clermont-Ferrand (FR); **Michelin**
Recherche et Technique,
Granges-Paccot (CH)

(**) Term: **14 Years**

(21) Appl. No.: **29/382,233**

(22) Filed: **Dec. 30, 2010**

(51) **LOC (9) Cl.** **12-16**

(52) **U.S. Cl.** **D12/588**

(58) **Field of Classification Search** D12/568-603;
152/209.1-209.28

See application file for complete search history.

(56) **References Cited**

U.S. PATENT DOCUMENTS

D380,995 S	7/1997	Grosskopf	
D390,510 S *	2/1998	Stone et al.	D12/588
D414,725 S	10/1999	Kemp, Jr.	
D461,446 S	8/2002	Janjareh et al.	
D606,485 S *	12/2009	Williamson et al.	D12/588
D618,162 S	6/2010	Mayni et al.	
D621,344 S *	8/2010	Yamaguchi	D12/588
7,878,228 B2 *	2/2011	Ito	152/209.17

OTHER PUBLICATIONS

X One XTE Michelin Tire, Michelin webpage, at least as early as Nov. 5, 2010.

XZE Michelin Tire, Michelin webpage, at least as early as Nov. 5, 2010.

XTE Michelin Tire, Michelin webpage, at least as early as Nov. 5, 2010.

* cited by examiner

Primary Examiner — George D Kirschbaum

(74) *Attorney, Agent, or Firm* — Dority & Manning, P.A.

(57) **CLAIM**

The ornamental design for a tire tread, as shown and described.

DESCRIPTION

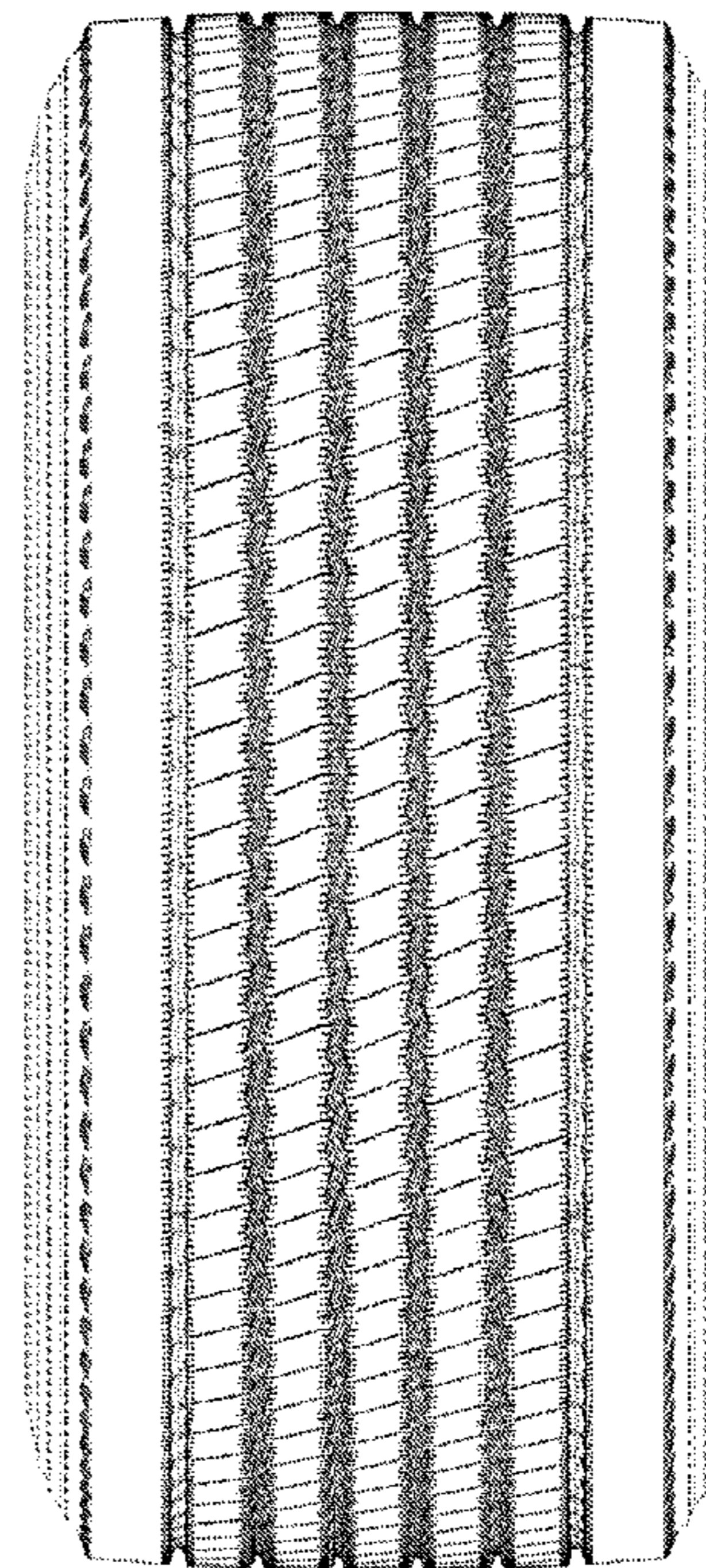
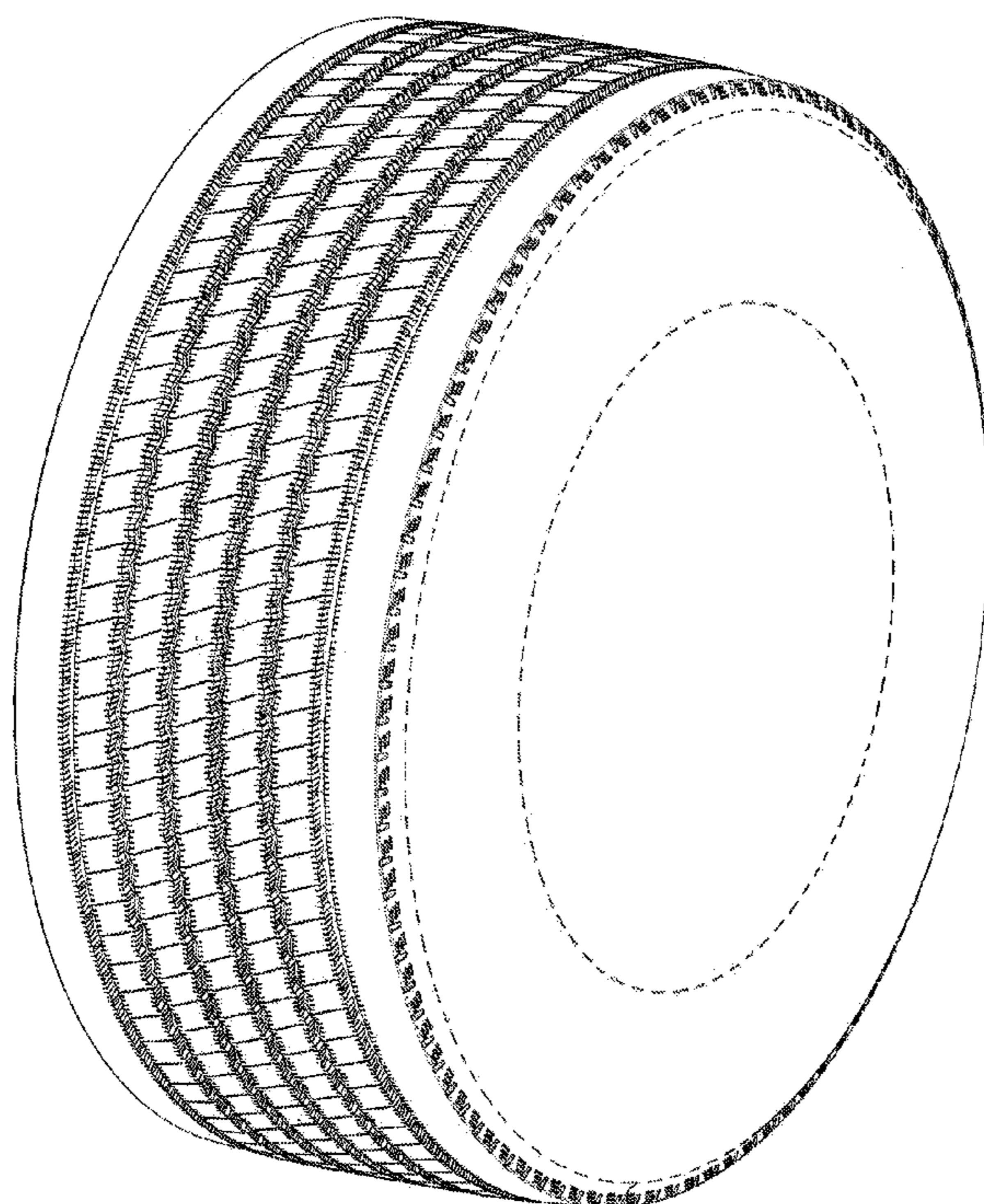
FIG. 1 is a perspective view of a tire tread showing our new design, it being understood that the tread pattern repeats circumferentially throughout the outer circumference and shoulder of the tire, the opposite side perspective being identical thereto;

FIG. 2 is a front elevation view thereof; and,

FIG. 3 is a side elevation view of the right side thereof.

In the drawings, the groove portions of the tire tread have a depth that is best illustrated along the top and bottom edges of FIG. 2. In the drawings, the disclosure of the tire sidewall and inner bead depicts environmental structure and forms no part of the claimed design.

1 Claim, 3 Drawing Sheets



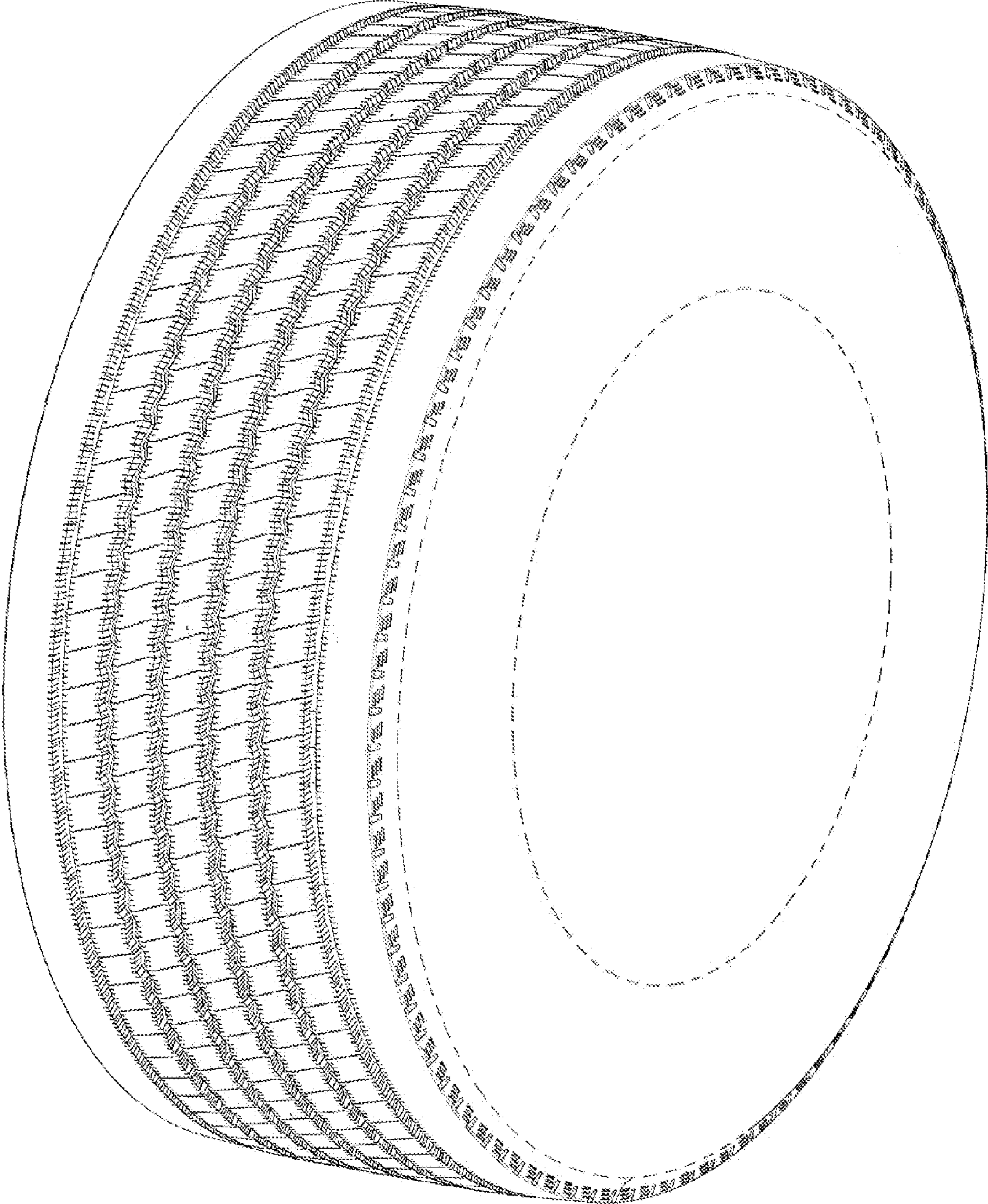


Fig. 1

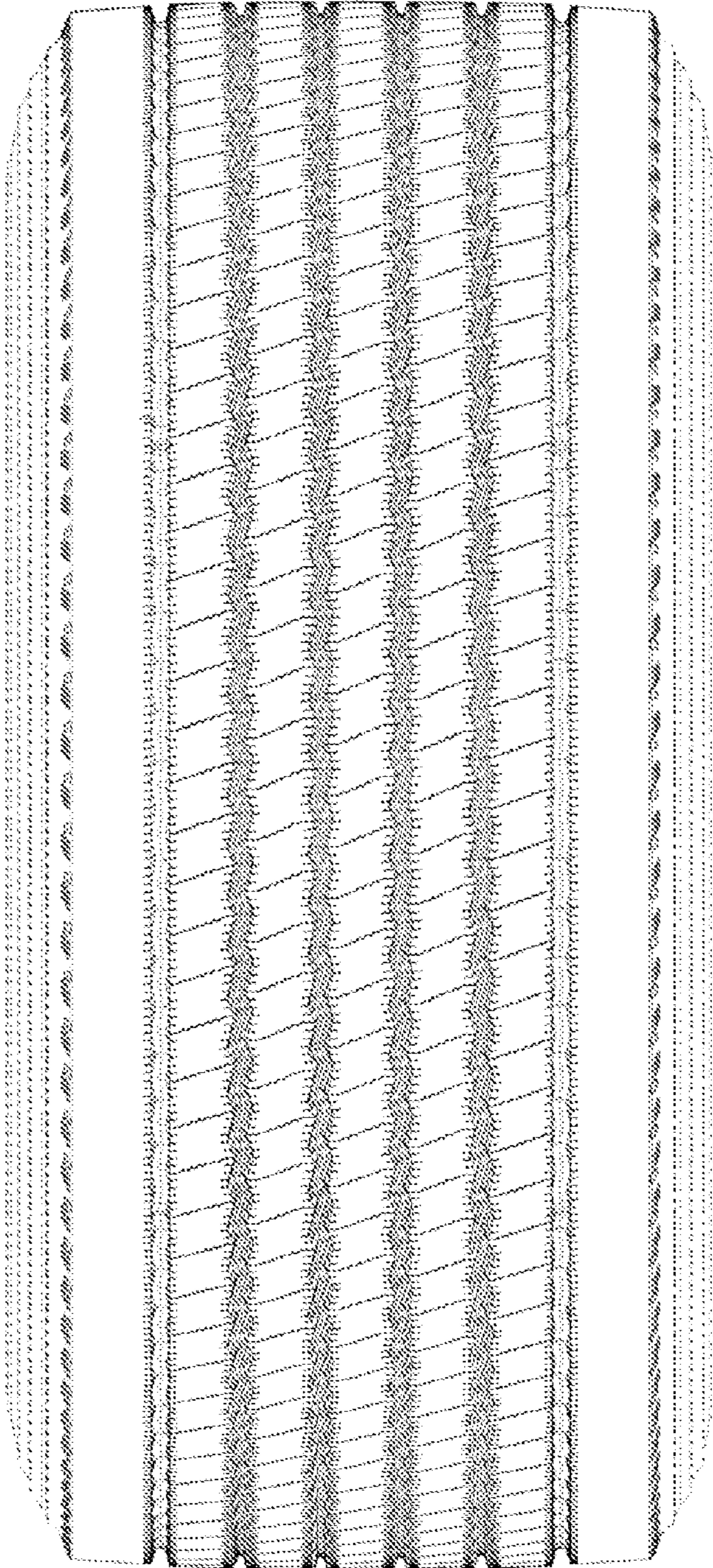


Fig. 2

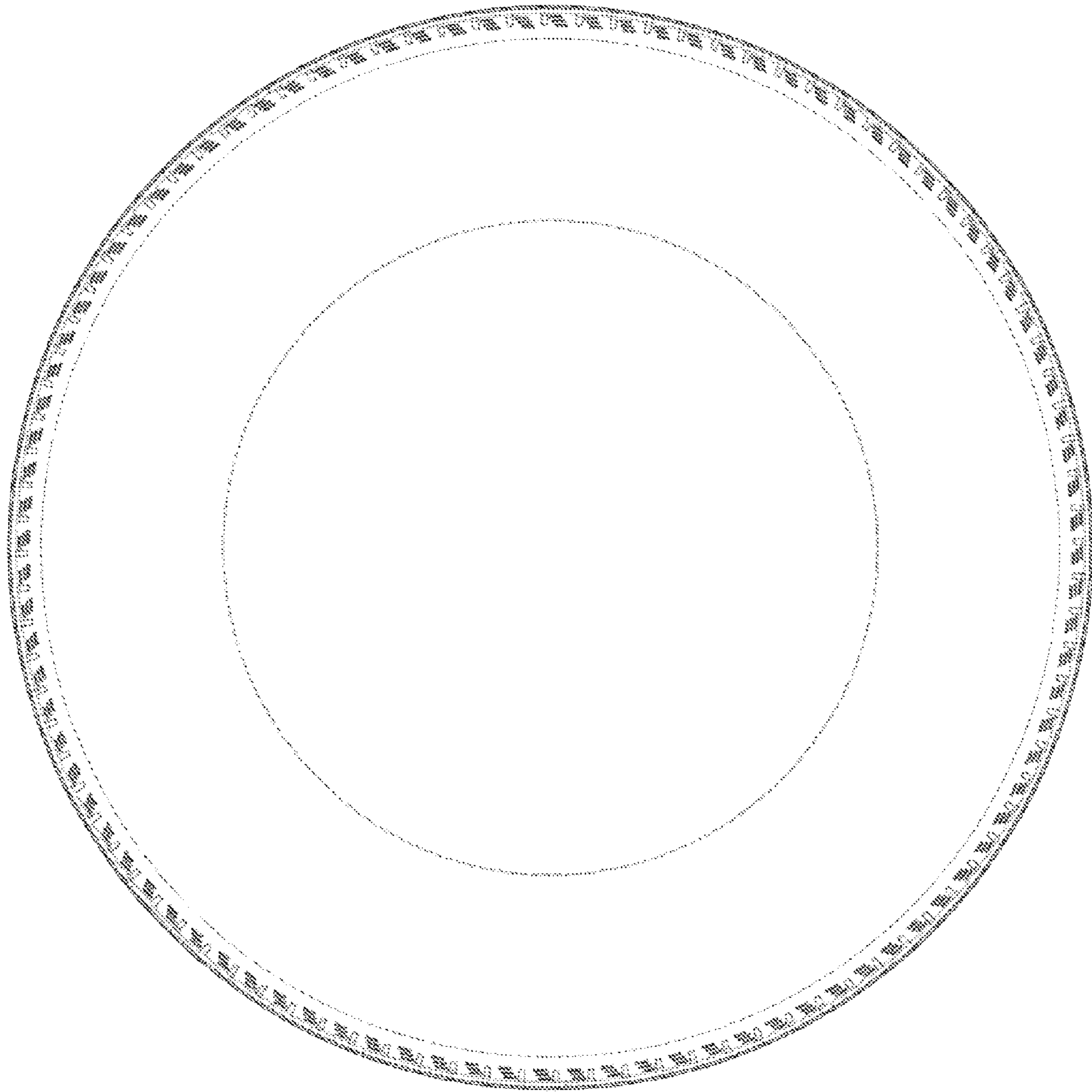


Fig. 3