



US00D668201S

(12) **United States Design Patent**
Zumhof

(10) **Patent No.:** **US D668,201 S**

(45) **Date of Patent:** **** Oct. 2, 2012**

(54) **WHEEL SPRAY SHIELD**

(76) Inventor: **Kevin J. Zumhof**, Dubuque, IA (US)

(**) Term: **14 Years**

(21) Appl. No.: **29/418,476**

(22) Filed: **Apr. 17, 2012**

(51) **LOC (9) Cl.** **12-16**

(52) **U.S. Cl.** **D12/213**

(58) **Field of Classification Search** D12/213,
D12/400; 40/587; 294/131; 301/108.1–108.5,
301/37.101–104, 37.21, 37.39, 37.41, 37.42,
301/37.109, 37.31; 118/504–505

See application file for complete search history.

(56) **References Cited**

U.S. PATENT DOCUMENTS

D377,332 S *	1/1997	Cruz, III	D12/213
D379,171 S *	5/1997	Hope et al.	D12/213
D402,614 S *	12/1998	Martinez	D12/213
D418,102 S	12/1999	Schchr		
D434,714 S *	12/2000	White	D12/213
D491,874 S *	6/2004	Cook	D12/213
D504,652 S *	5/2005	Woodberry	D12/213
D540,242 S *	4/2007	Holguin	D12/213
D565,491 S *	4/2008	Scott	D12/213
D569,324 S *	5/2008	Gosnell et al.	D12/213

D659,629 S * 5/2012 Williams et al. D12/213
* cited by examiner

Primary Examiner — Stacia Cadmus

(74) *Attorney, Agent, or Firm* — Jason R. Sytsma;
Shuttleworth & Ingersoll, PLC

(57) **CLAIM**

The ornamental design for the wheel spray shield, shown and described.

DESCRIPTION

FIG. 1 is a front and right-side perspective view of a wheel spray shield according to the invention;

FIG. 2 is a back and left-side perspective view of the wheel spray shield of FIG. 1;

FIG. 3 is a front view of the wheel spray shield of FIG. 1;

FIG. 4 is back view of the wheel spray shield of FIG. 1;

FIG. 5 is a right-side view of the wheel spray shield of FIG. 1;

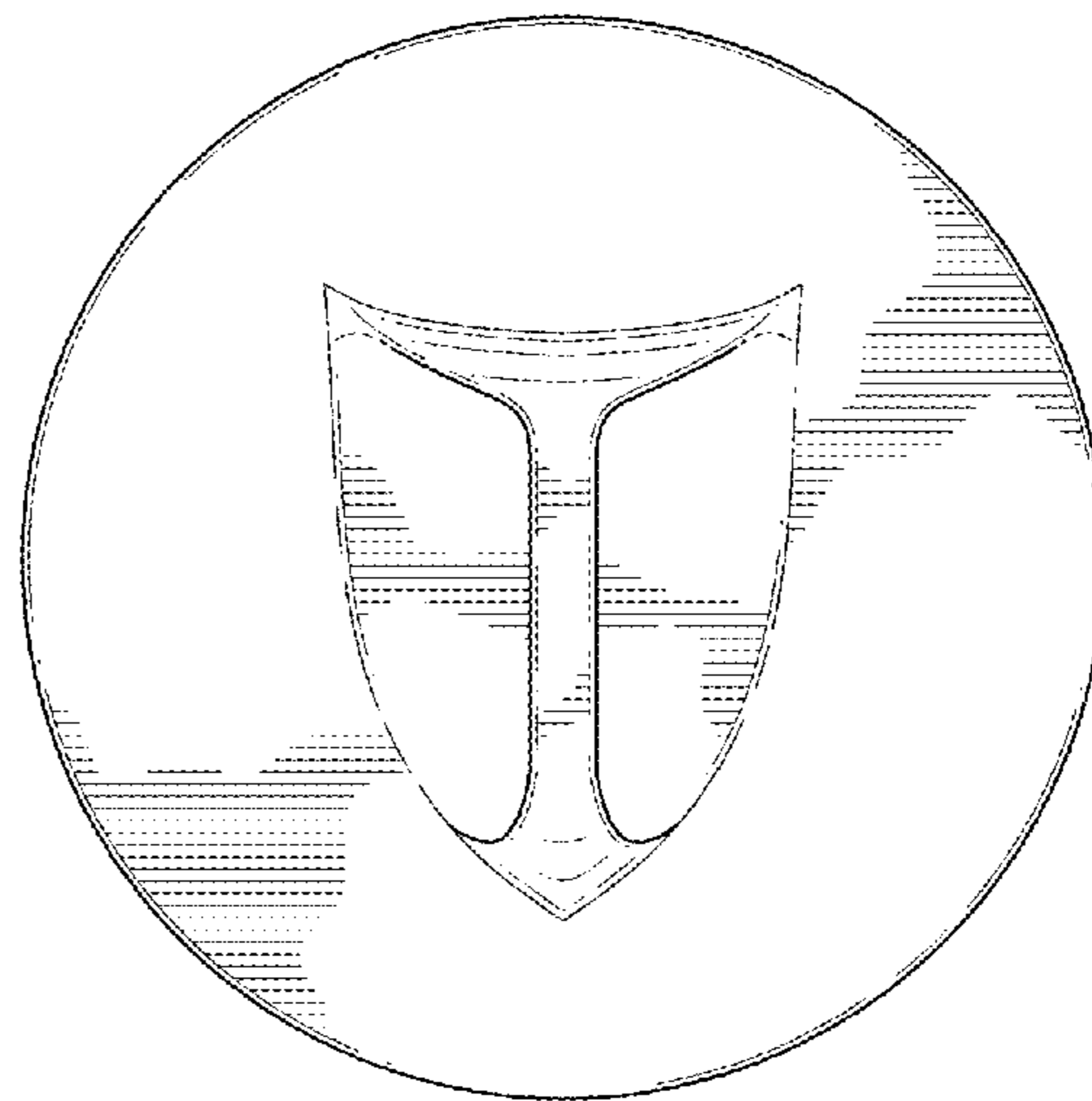
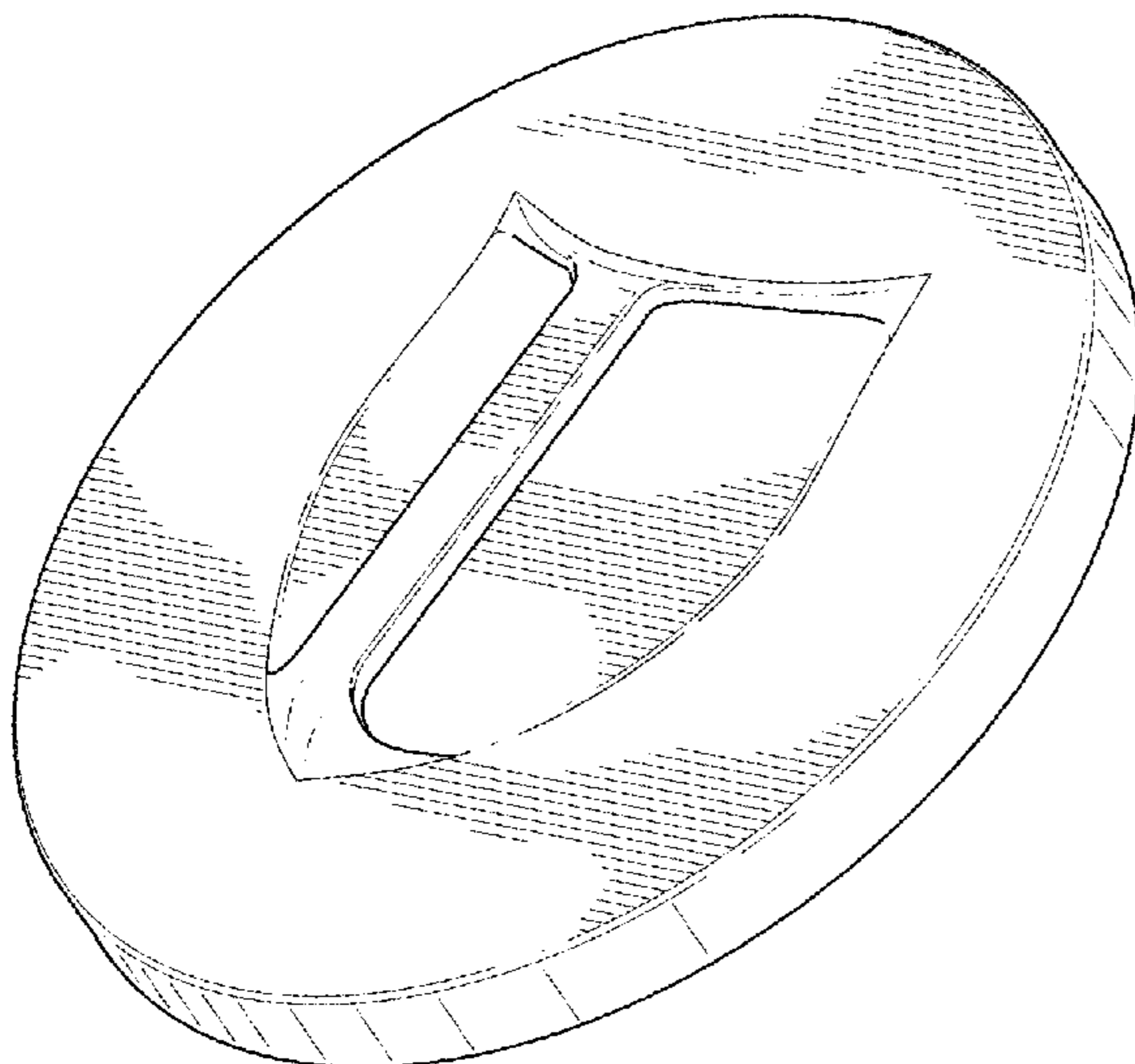
FIG. 6 is a bottom-side view of the wheel spray shield of FIG. 1;

FIG. 7 is a top-side view of the wheel spray shield of FIG. 1; and,

FIG. 8 is a front and left-side perspective view of the wheel spray shield of FIG. 1 positioned in front of a wheel.

The broken lines are included for the purpose of illustrating a the environment in which the claimed invention is being used, which form no part of the claimed design.

1 Claim, 4 Drawing Sheets



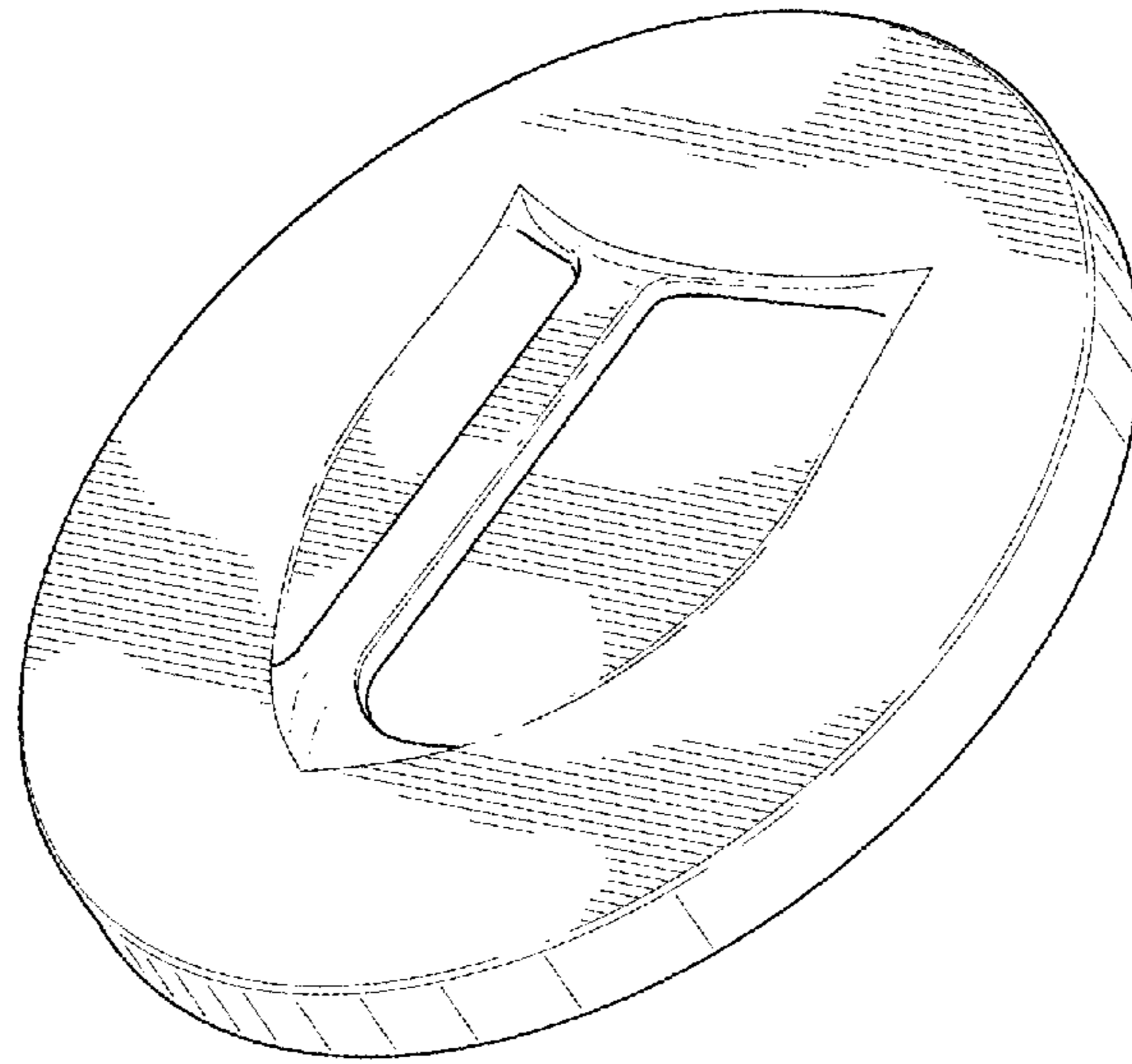


FIG. 1

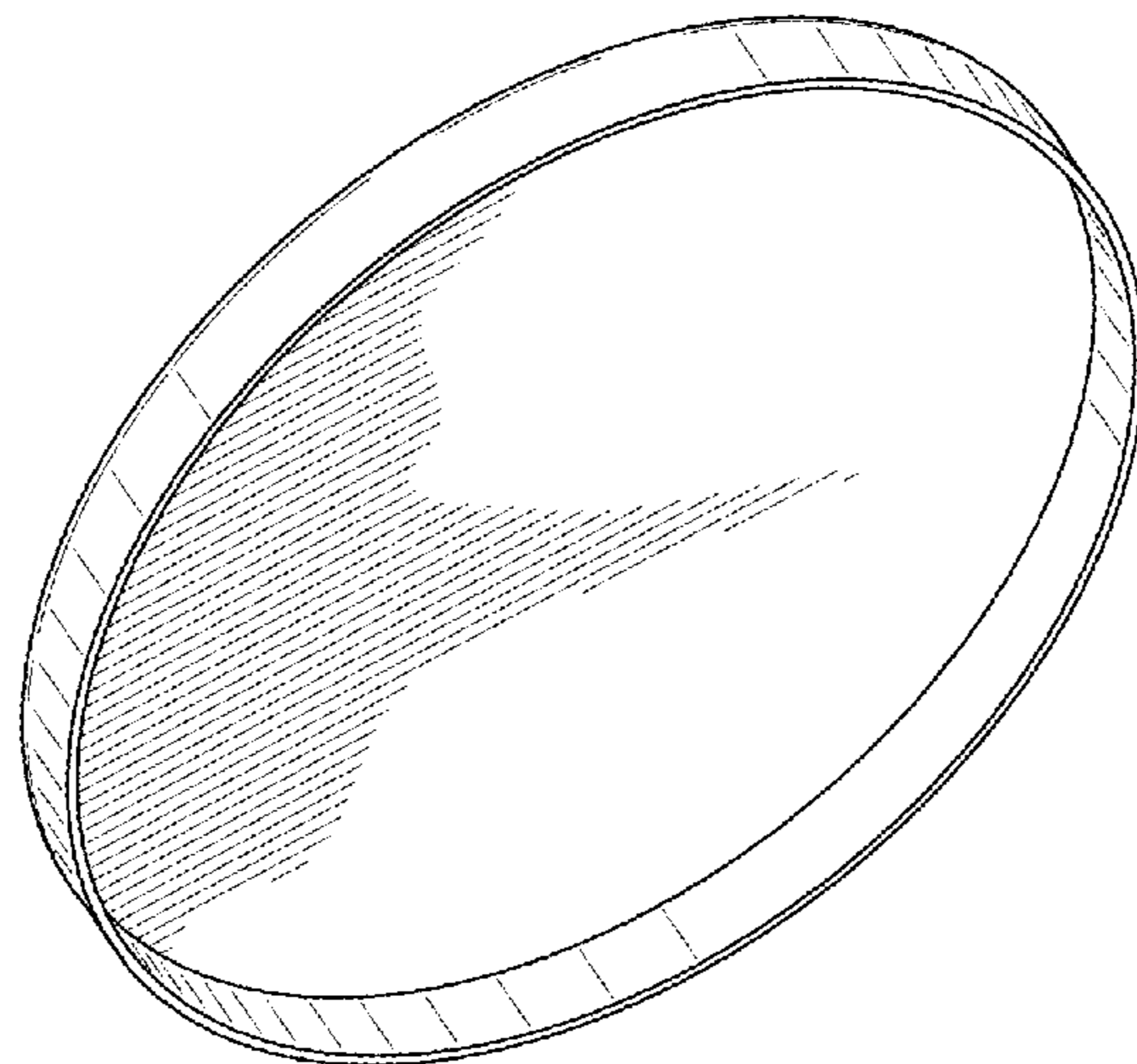


FIG. 2

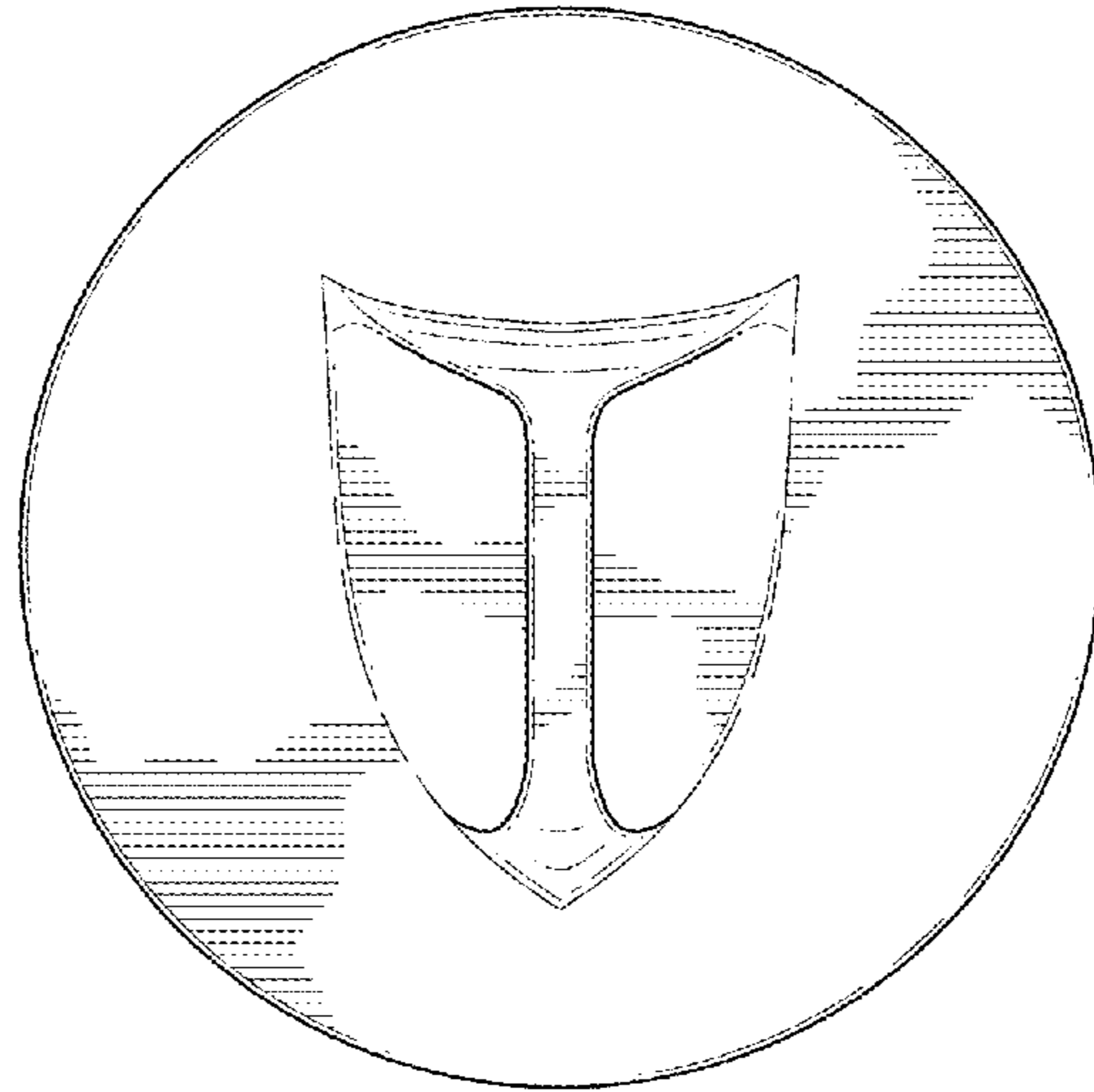


FIG.3

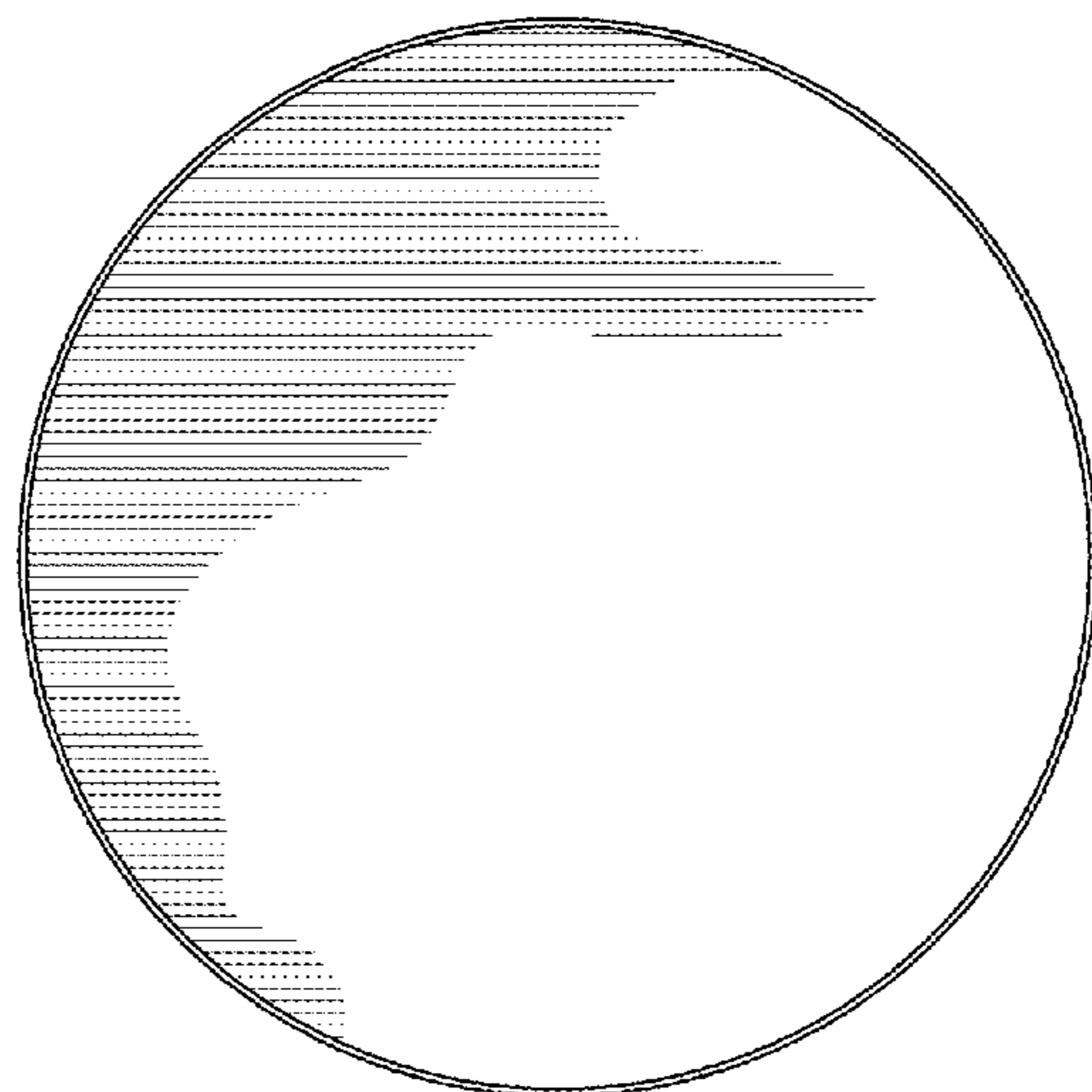


FIG.4

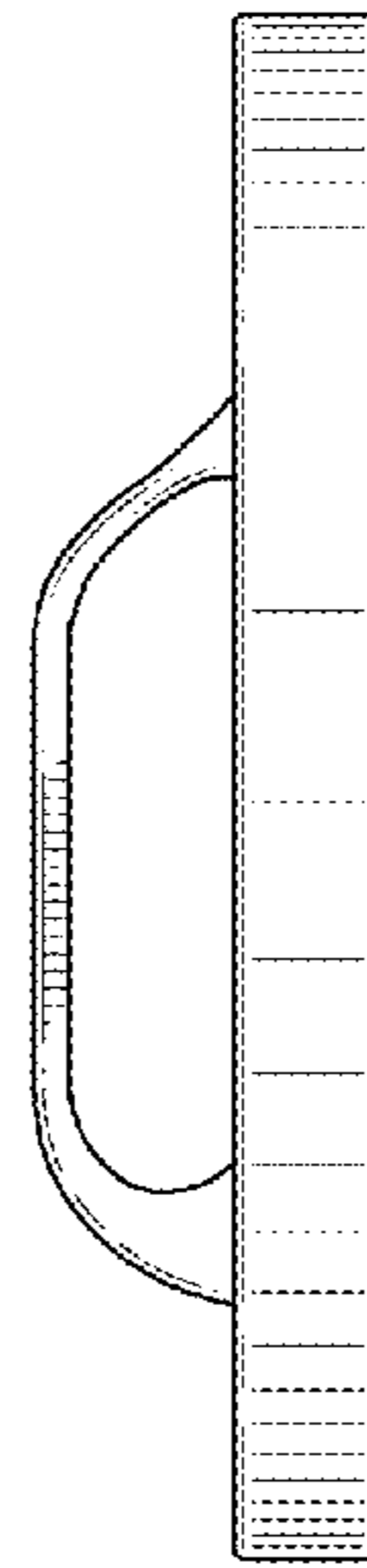


FIG. 5

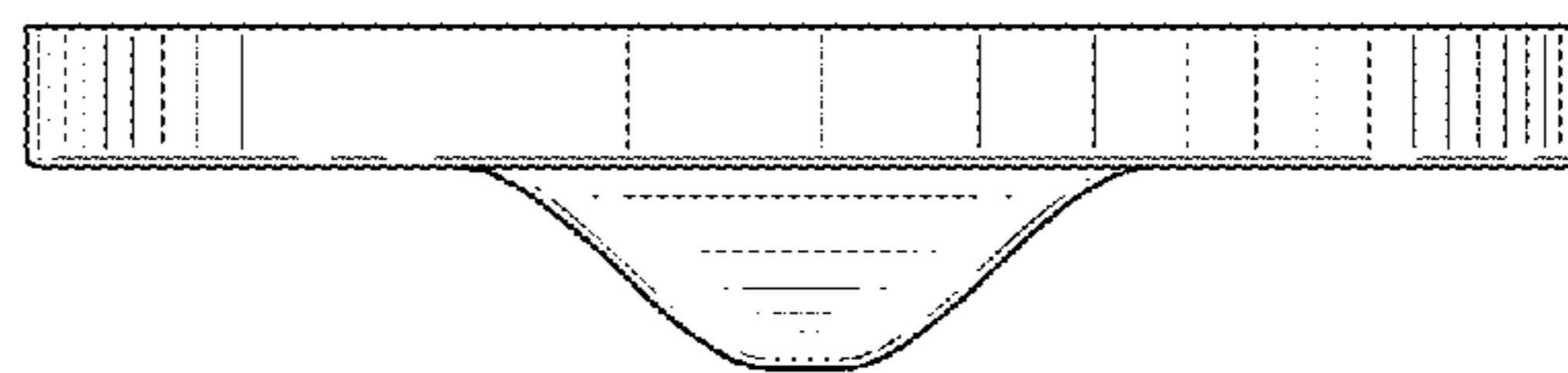


FIG. 6

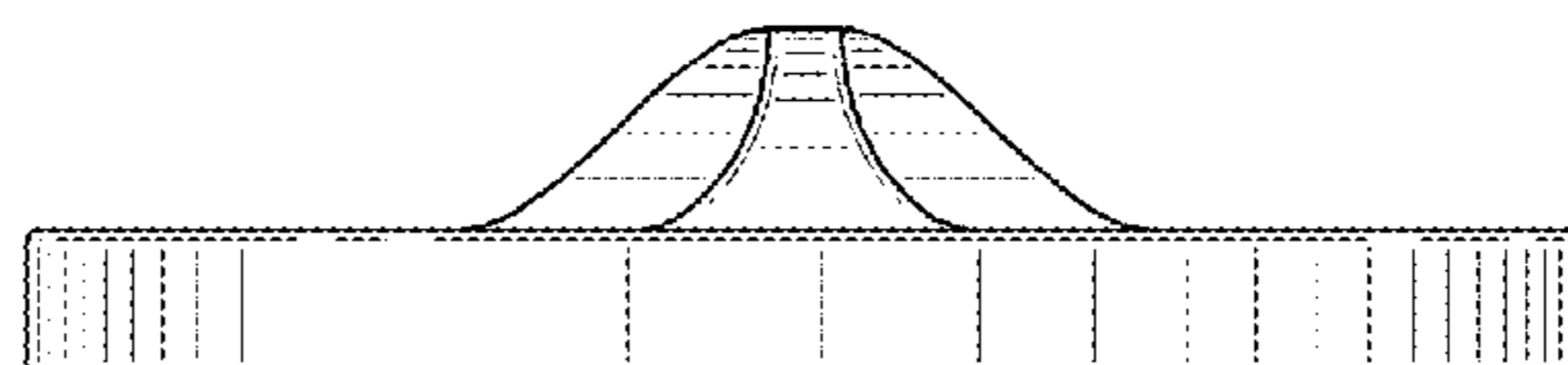


FIG. 7

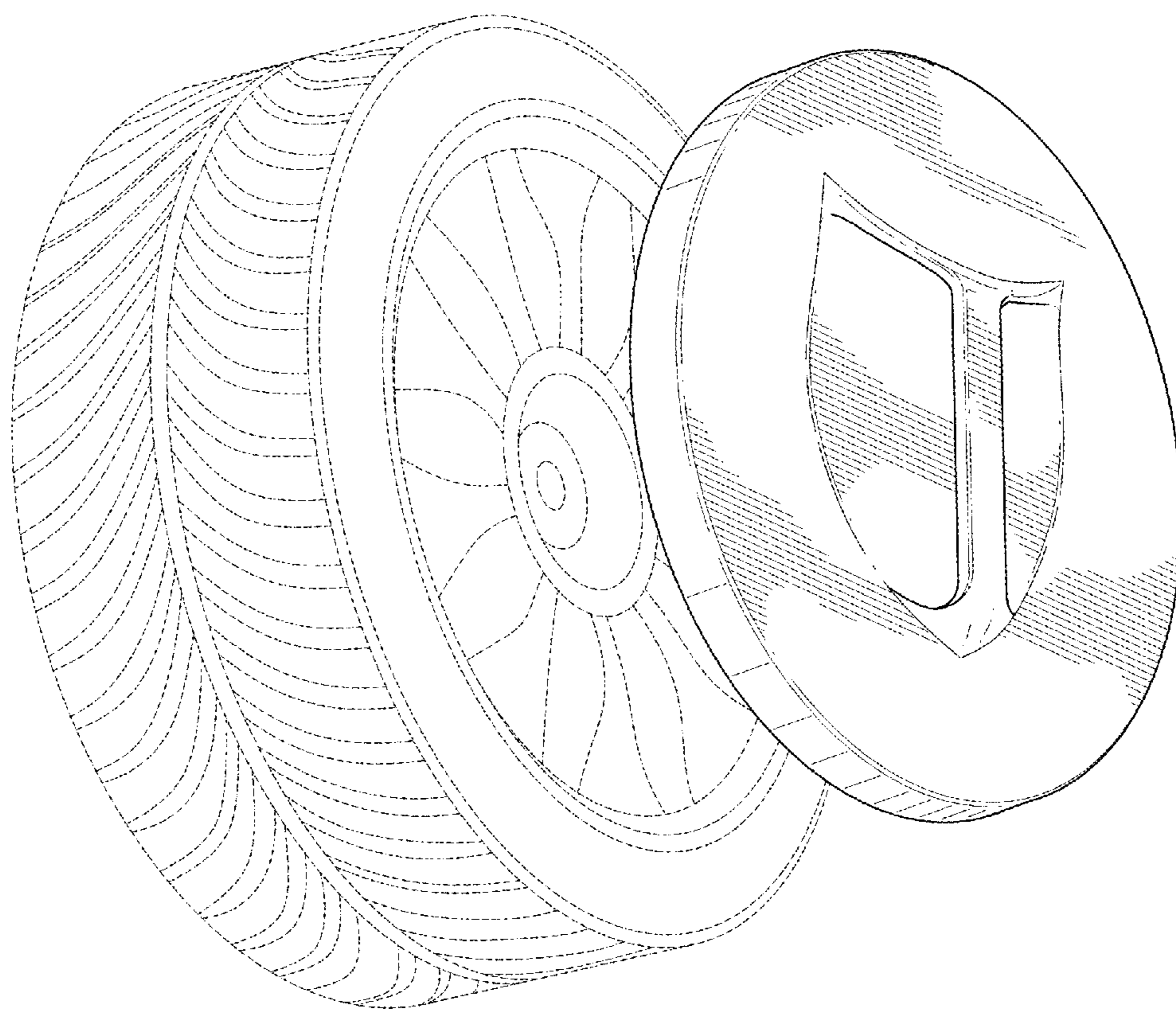


FIG.8