

US00D668200S

(12) **United States Design Patent**  
**Merten et al.**

(10) **Patent No.:** **US D668,200 S**  
(45) **Date of Patent:** **\*\* Oct. 2, 2012**

(54) **WHEEL COVER INSERT**

(75) Inventors: **David J. Merten**, Manitowoc, WI (US);  
**Jay Z. Muchin**, Manitowoc, WI (US);  
**Michael M. Potempa**, Freeport, IL  
(US); **Brian S. Potempa**, Freeport, IL  
(US)

(73) Assignee: **M Group, Inc.**, Manitowoc, WI (US)

(\*\*) Term: **14 Years**

(21) Appl. No.: **29/382,517**

(22) Filed: **Jan. 4, 2011**

(51) **LOC (9) Cl.** ..... **12-16**

(52) **U.S. Cl.** ..... **D12/213**

(58) **Field of Classification Search** ..... D12/204–213;  
301/37.101, 64.101, 65, 64.201, 37.23–37.28,  
301/37.42; 40/587

See application file for complete search history.

(56) **References Cited**

U.S. PATENT DOCUMENTS

3,528,705 A	9/1970	Oldroyd	
3,724,905 A	4/1973	Kachler	
3,860,295 A	1/1975	Beisch	
4,418,962 A	12/1983	Schaffer	
4,441,762 A	4/1984	Segal	
D333,647 S *	3/1993	Carmichael	..... D12/207
5,316,376 A	5/1994	Defreitas	
5,659,989 A	8/1997	Hsiao et al.	
5,931,543 A	8/1999	Smith	
6,860,568 B2	3/2005	Nunes	
6,926,369 B2	8/2005	McCaster, III et al.	
D512,011 S *	11/2005	Tirado	..... D12/213

7,210,746 B2 5/2007 Ryu  
D543,925 S \* 6/2007 Plumer ..... D12/213  
2003/0155804 A1 8/2003 Weckman

\* cited by examiner

*Primary Examiner* — Stacia Cadmus

(74) *Attorney, Agent, or Firm* — Rathe Lindenbaum LLP

(57) **CLAIM**

We claim the ornamental design for a wheel cover insert, as shown and described.

**DESCRIPTION**

FIG. 1 is a rear perspective view of a tractor including a wheel cover having a wheel cover insert;

FIG. 2 is an exploded perspective view of the wheel cover including the wheel cover insert;

FIG. 3 is a front perspective view of the wheel cover insert;

FIG. 4 is a rear perspective view of the wheel cover insert;

FIG. 5 is a front elevational view of the wheel cover insert;

FIG. 6 is a rear elevational view of the wheel cover insert;

FIG. 7 is a top plan view of the wheel cover insert;

FIG. 8 the bottom plan view of the wheel cover insert;

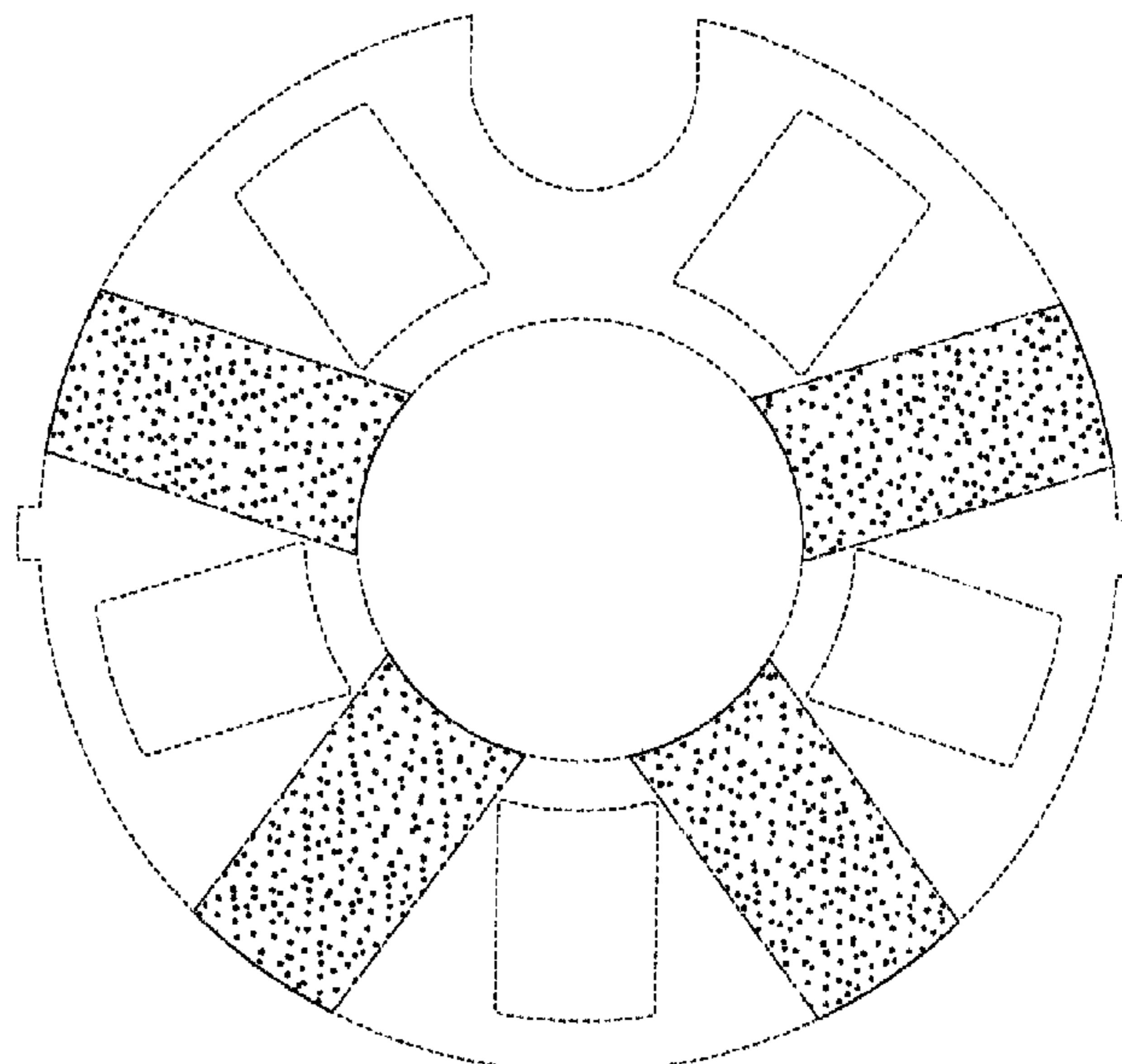
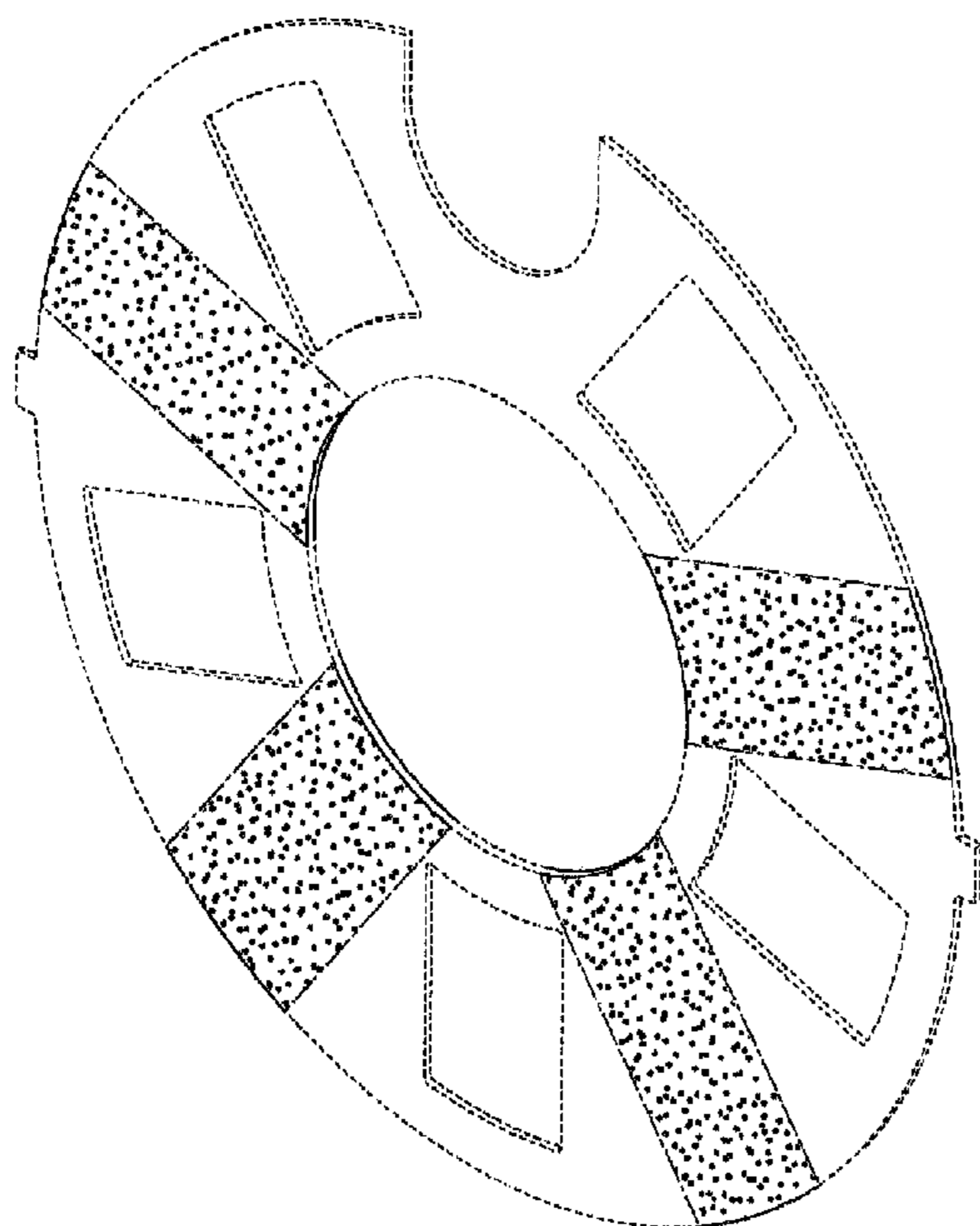
FIG. 9 is a left side elevational of view of the wheel cover insert; and,

FIG. 10 is a right side elevational of view of the wheel cover insert.

The ornamental design which is claimed is shown in solid lines in the drawings. The long dash short dash broken lines in the drawings are boundary lines while the dash dash broken lines in the drawings are environmental and are for illustrative purposes only, forming no part of the claimed design. The different stiplings in the drawings represent a contrast.

The wheel cover insert is shown on an enlarged scale in FIGS. 3-10 as compared with FIGS. 1 and 2.

**1 Claim, 7 Drawing Sheets**



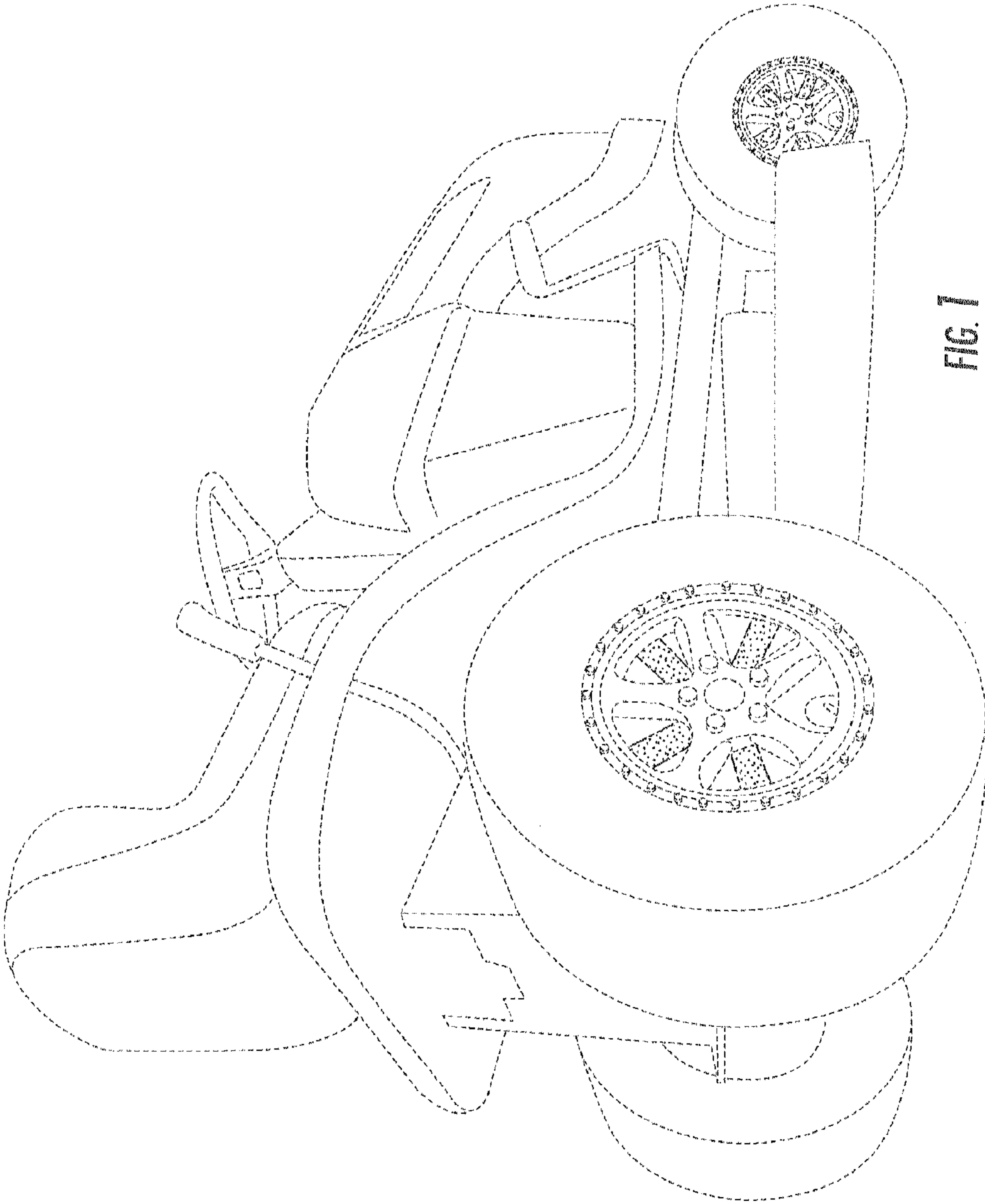
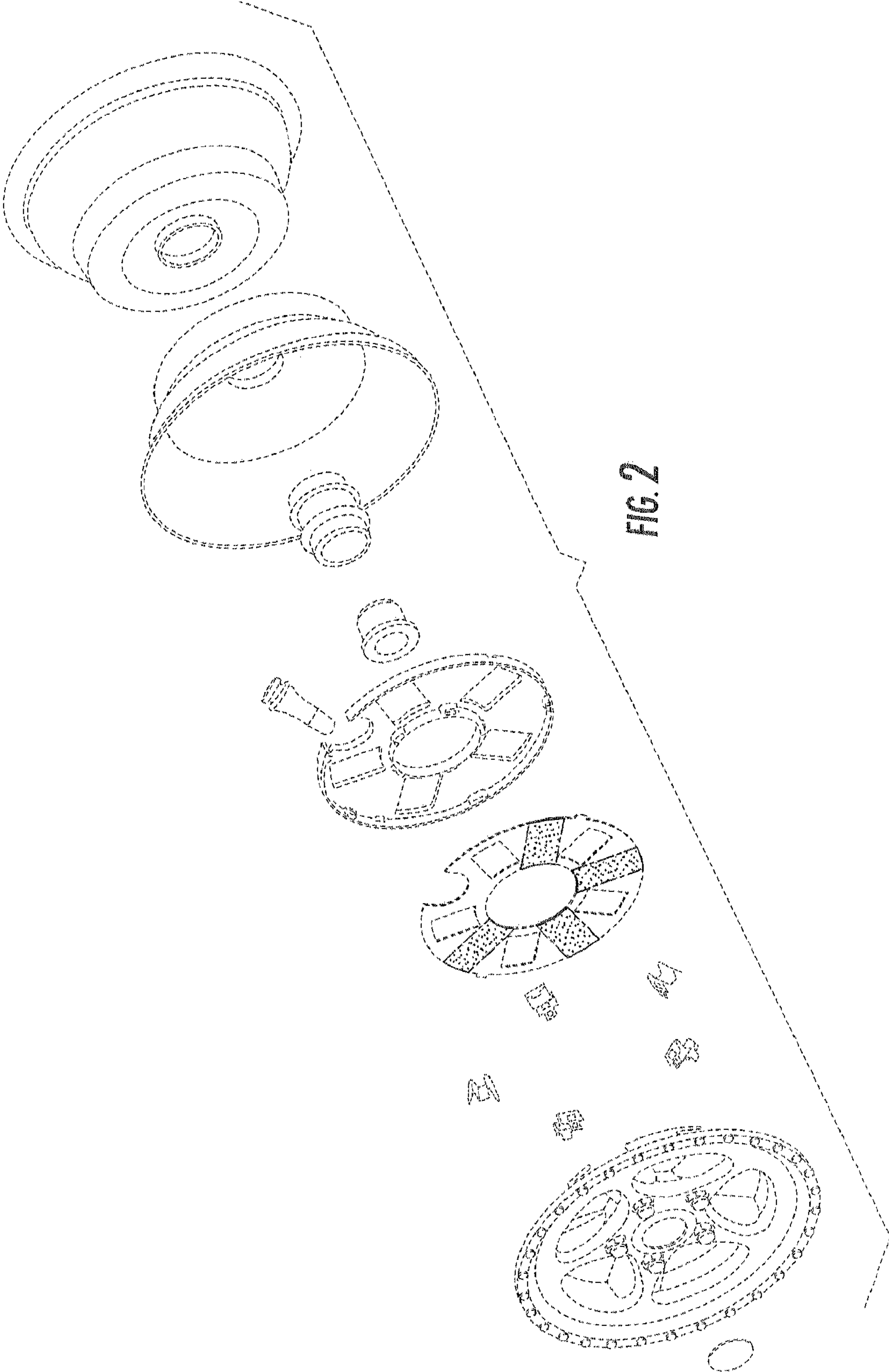


FIG. 1



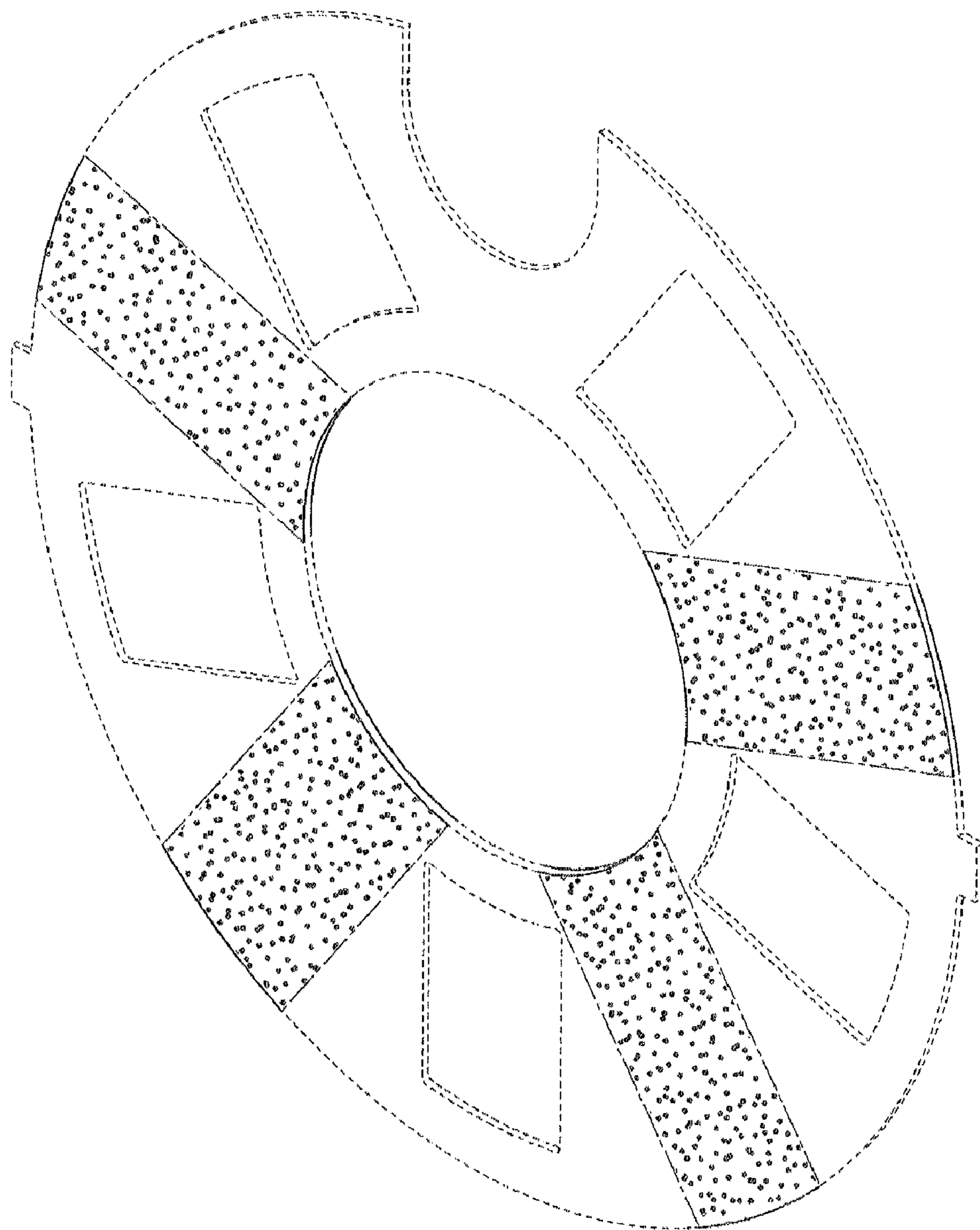


FIG. 3

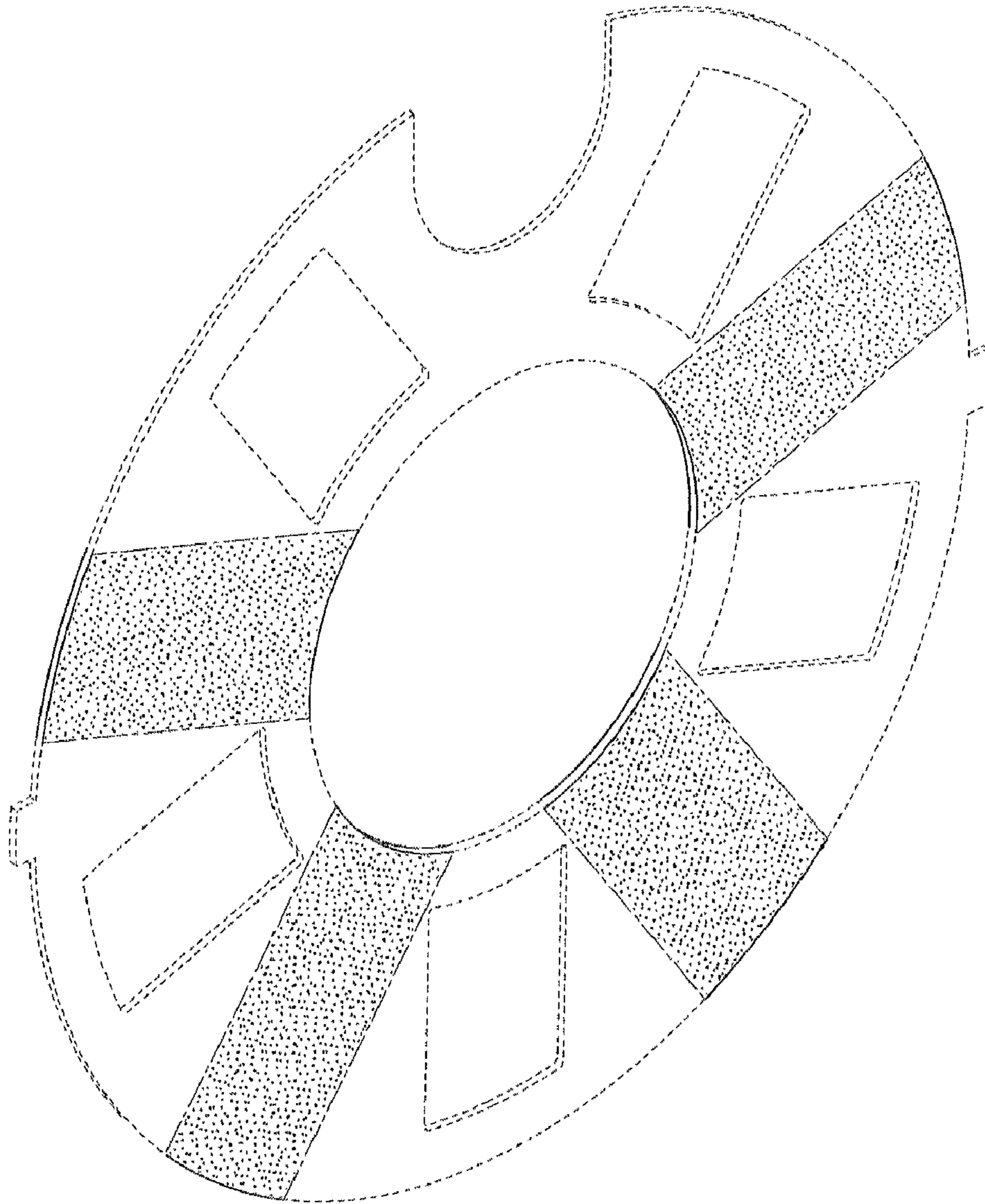


FIG. 4

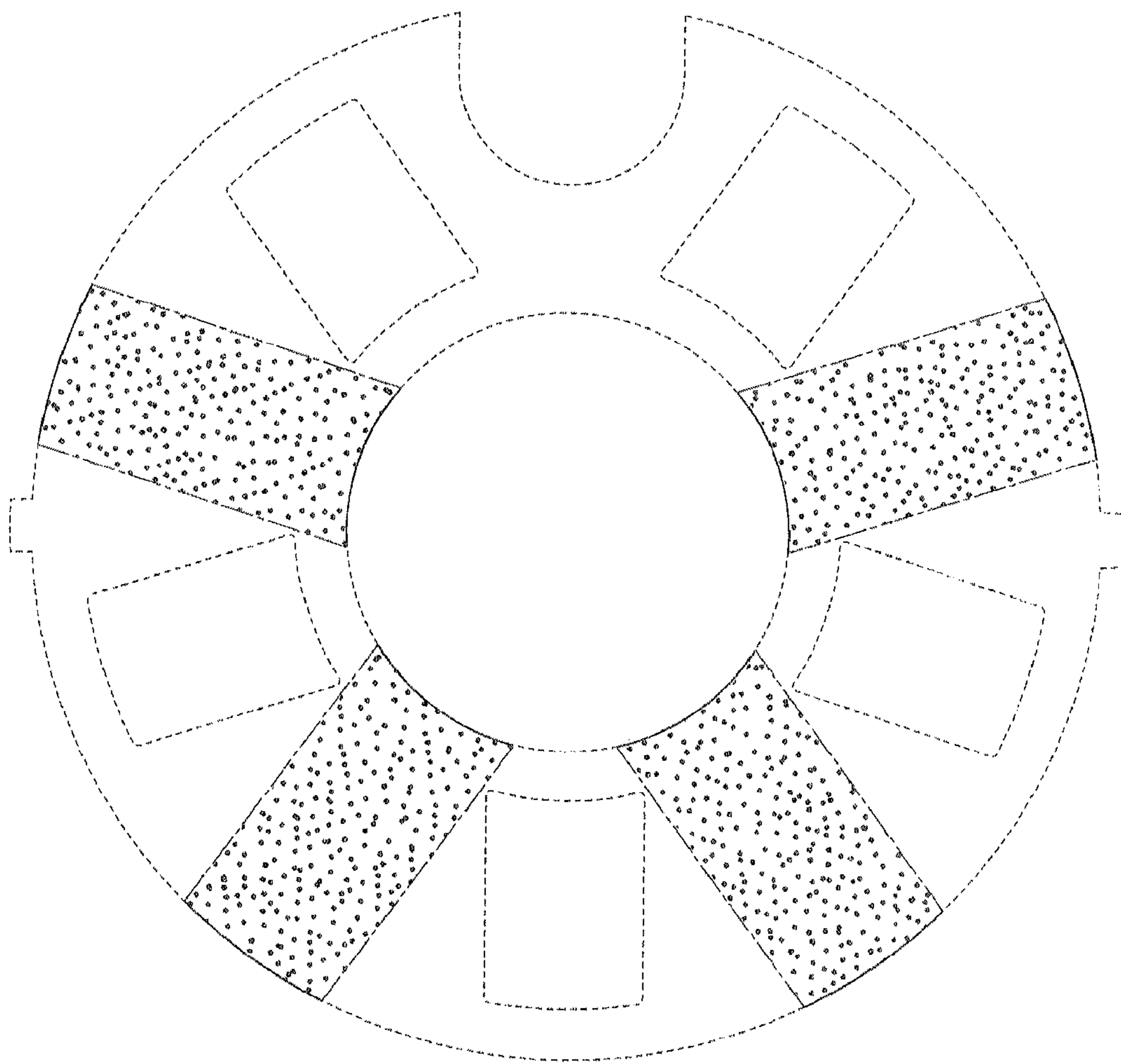


FIG. 5

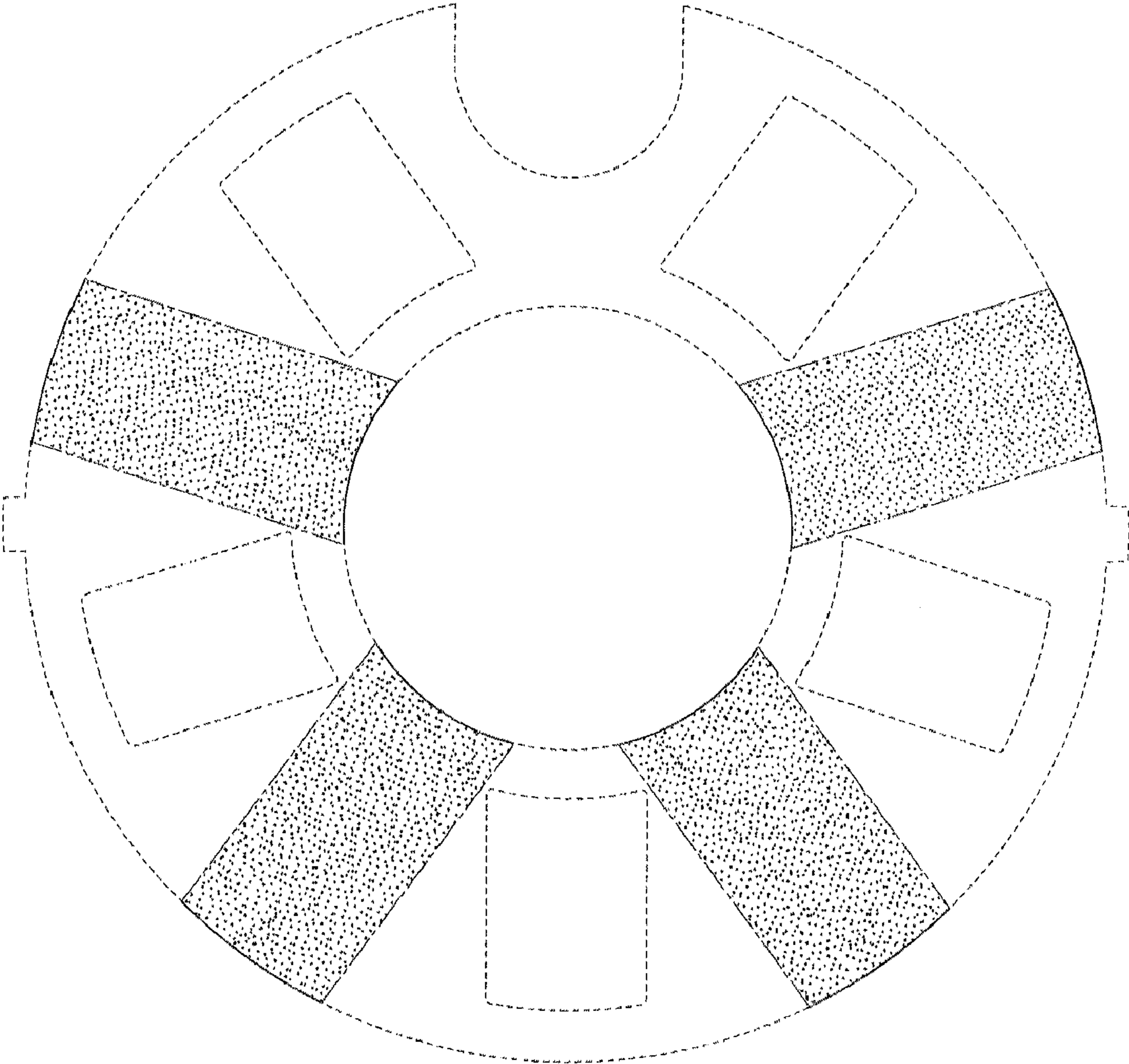


FIG. 6

---

*FIG. 7*

---

*FIG. 8*

*FIG. 9*

*FIG. 10*