

US00D668198S

(12) **United States Design Patent**  
**Platto et al.**

(10) **Patent No.:** **US D668,198 S**  
(45) **Date of Patent:** **\*\* Oct. 2, 2012**

(54) **VEHICLE WHEEL**

(75) Inventors: **Gordon M. Platto**, Troy, MI (US);  
**Bradley Alan Richards**, Bloomfield Hills, MI (US); **Shawn Sung Yu**, Shanghai (CN); **Timothy Doyle**, Royal Oak, MI (US); **Amy Kim**, New York, NY (US)

(73) Assignee: **Ford Motor Company**, Dearborn, MI (US)

(\*\*) Term: **14 Years**

(21) Appl. No.: **29/411,532**

(22) Filed: **Jan. 23, 2012**

(51) **LOC (9) Cl.** ..... **12-16**

(52) **U.S. Cl.** ..... **D12/211**

(58) **Field of Classification Search** ..... D12/204-213;  
301/37.101, 64.101, 65, 64.201

See application file for complete search history.

(56) **References Cited**

**U.S. PATENT DOCUMENTS**

D487,420 S \* 3/2004 Kang ..... D12/211  
D504,647 S \* 5/2005 Leclercq ..... D12/209

D520,435 S \* 5/2006 Kulla et al. .... D12/211  
D531,951 S \* 11/2006 Khan ..... D12/211  
D576,095 S \* 9/2008 Chung ..... D12/211  
D617,251 S \* 6/2010 Zhao ..... D12/211  
D618,155 S \* 6/2010 Zhao ..... D12/211  
D620,425 S \* 7/2010 Zhao ..... D12/211  
D625,244 S \* 10/2010 Zhao ..... D12/211  
D633,840 S \* 3/2011 Johnson ..... D12/209  
D633,848 S \* 3/2011 Johnson ..... D12/211  
D637,947 S \* 5/2011 Zhao ..... D12/211  
D638,765 S \* 5/2011 Yoon ..... D12/211  
D641,680 S \* 7/2011 Laengerer ..... D12/211  
D659,066 S \* 5/2012 Johnson ..... D12/209

\* cited by examiner

*Primary Examiner* — Stacia Cadmus

(74) *Attorney, Agent, or Firm* — Damian Porcari

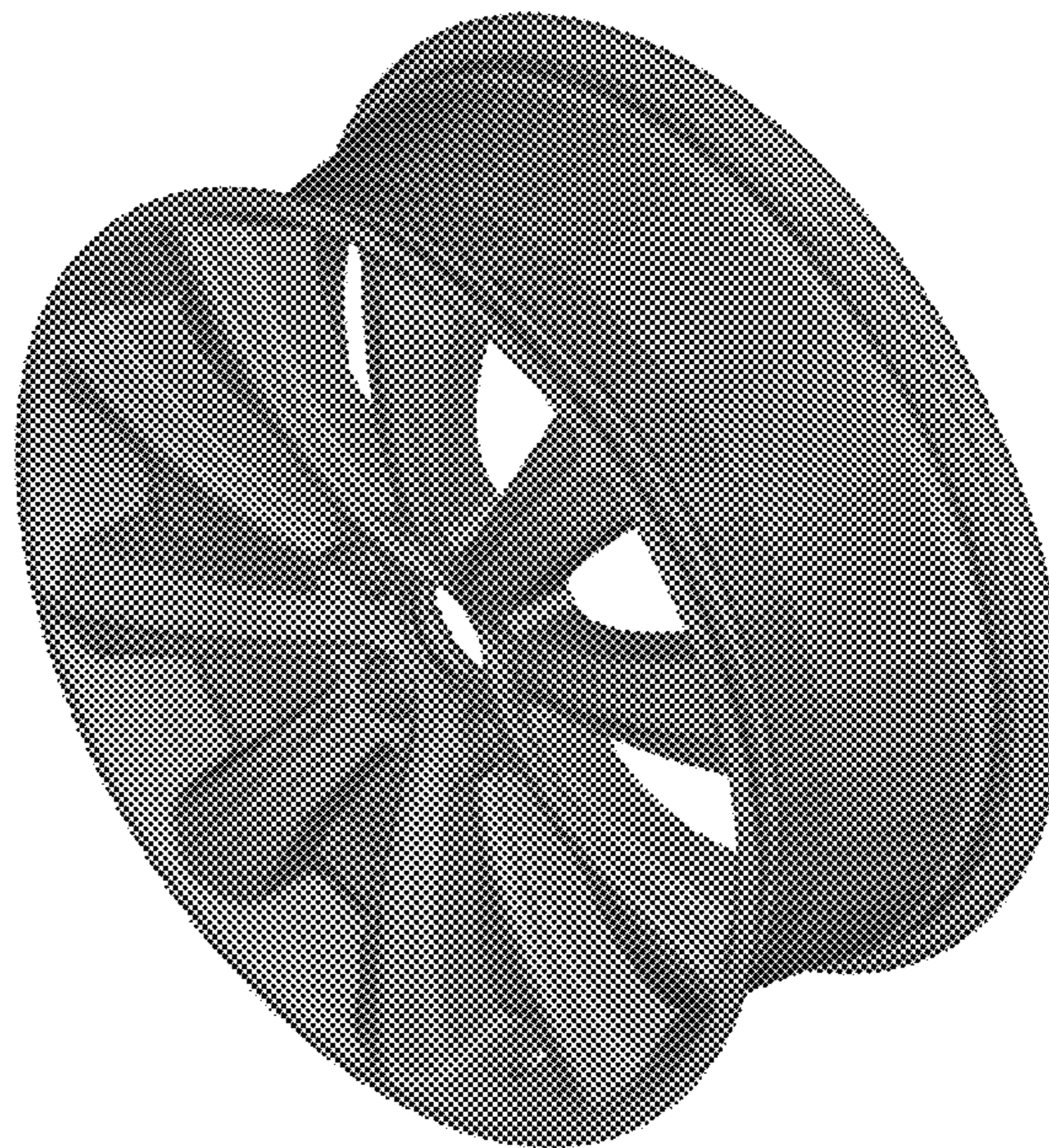
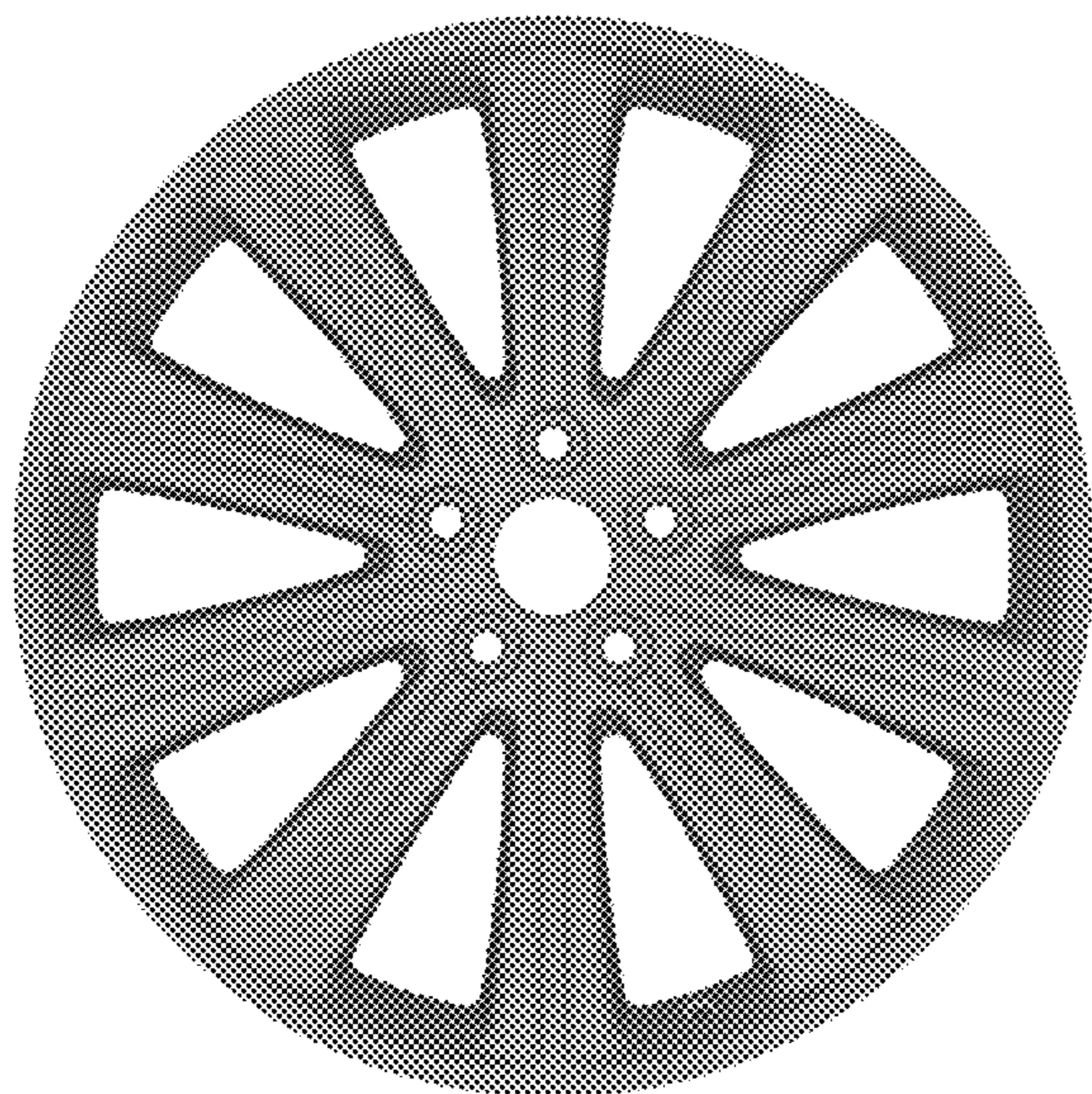
(57) **CLAIM**

The ornamental design for a vehicle wheel, as shown and described.

**DESCRIPTION**

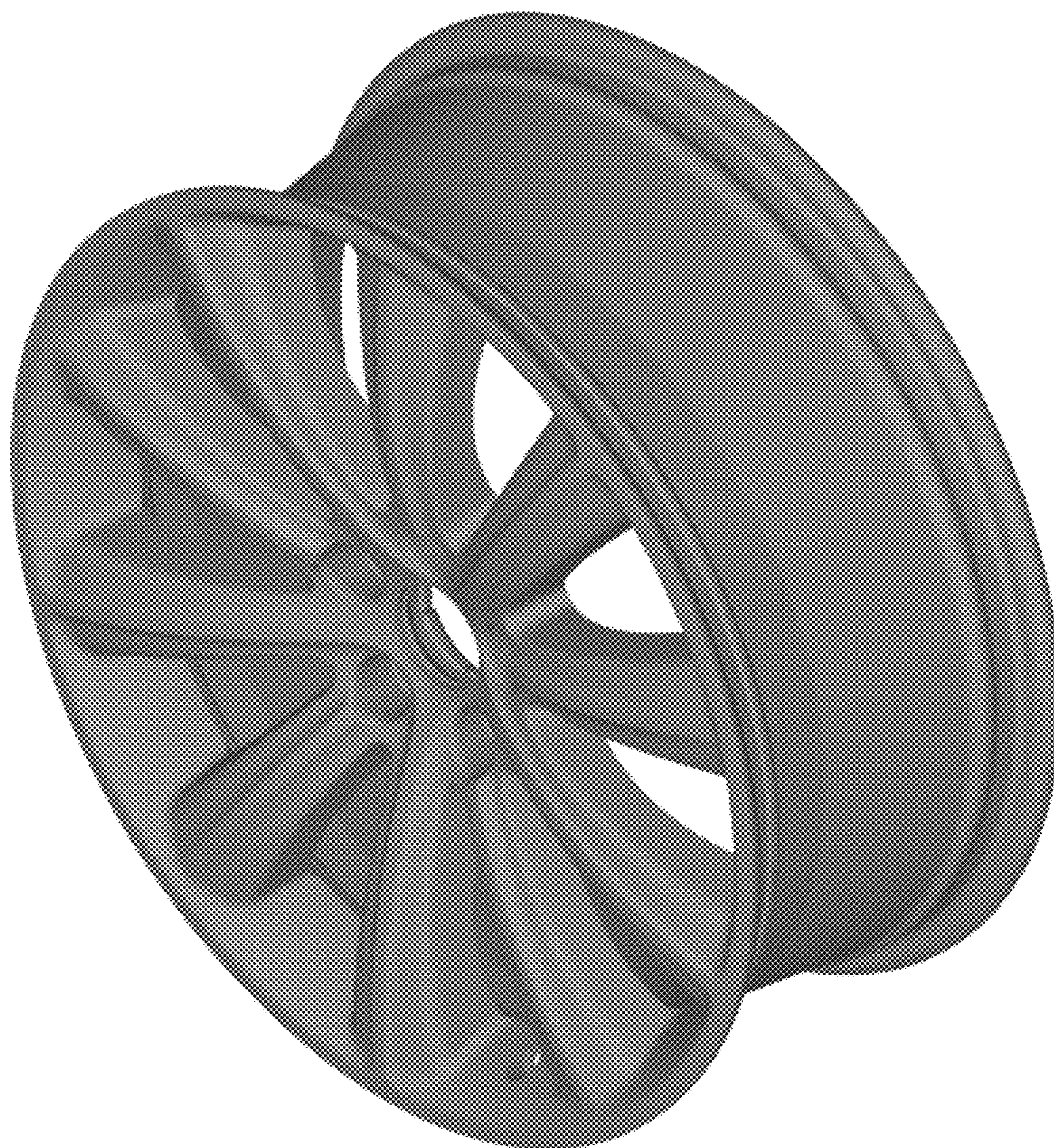
FIG. 1 is a front view of a vehicle wheel; and, FIG. 2 is a perspective view of the vehicle wheel.

**1 Claim, 2 Drawing Sheets**





*Figure 1*



*Figure 2*