



US00D668197S

(12) **United States Design Patent**  
**Gotschke et al.**

(10) **Patent No.:** **US D668,197 S**  
(45) **Date of Patent:** **\*\* Oct. 2, 2012**

(54) **VEHICLE WHEEL**

(75) Inventors: **Wolfgang Gotschke**, Cologne (DE);  
**Ulrike Kolb**, Cologne (DE)

(73) Assignee: **Ford Motor Company**, Dearborn, MI  
(US)

(\*\*) Term: **14 Years**

(21) Appl. No.: **29/405,445**

(22) Filed: **Nov. 2, 2011**

(51) **LOC (9) Cl.** ..... **12-16**

(52) **U.S. Cl.** ..... **D12/211**

(58) **Field of Classification Search** ..... D12/204-213;  
301/37.101, 64.101, 65, 64.201  
See application file for complete search history.

(56) **References Cited**

**U.S. PATENT DOCUMENTS**

D410,426 S *	6/1999	Frizzi	.....	D12/211
D428,379 S *	7/2000	Donikoglu	.....	D12/211
D438,503 S *	3/2001	Syring	.....	D12/211
D516,990 S *	3/2006	Schweizer	.....	D12/211
D548,166 S *	8/2007	Young	.....	D12/211

D551,149 S *	9/2007	Elmitt	.....	D12/211
D579,846 S *	11/2008	Chung	.....	D12/209
D591,661 S *	5/2009	Baum	.....	D12/209
D593,017 S *	5/2009	Antoniadis et al.	.....	D12/209
D593,022 S *	5/2009	Forster et al.	.....	D12/211
D610,517 S *	2/2010	Leng et al.	.....	D12/211
D622,202 S *	8/2010	Zhao	.....	D12/211
D628,136 S *	11/2010	Leclercq	.....	D12/211
D643,794 S *	8/2011	Elmitt	.....	D12/211
D647,449 S *	10/2011	Gotschke	.....	D12/209
D657,298 S *	4/2012	Lee	.....	D12/211

**OTHER PUBLICATIONS**

Car Advice, Oct. 5, 2011, 2013 Ford Mondeo Mule Spy Photot.

\* cited by examiner

*Primary Examiner* — Stacia Cadmus

(74) *Attorney, Agent, or Firm* — Damian Porcari

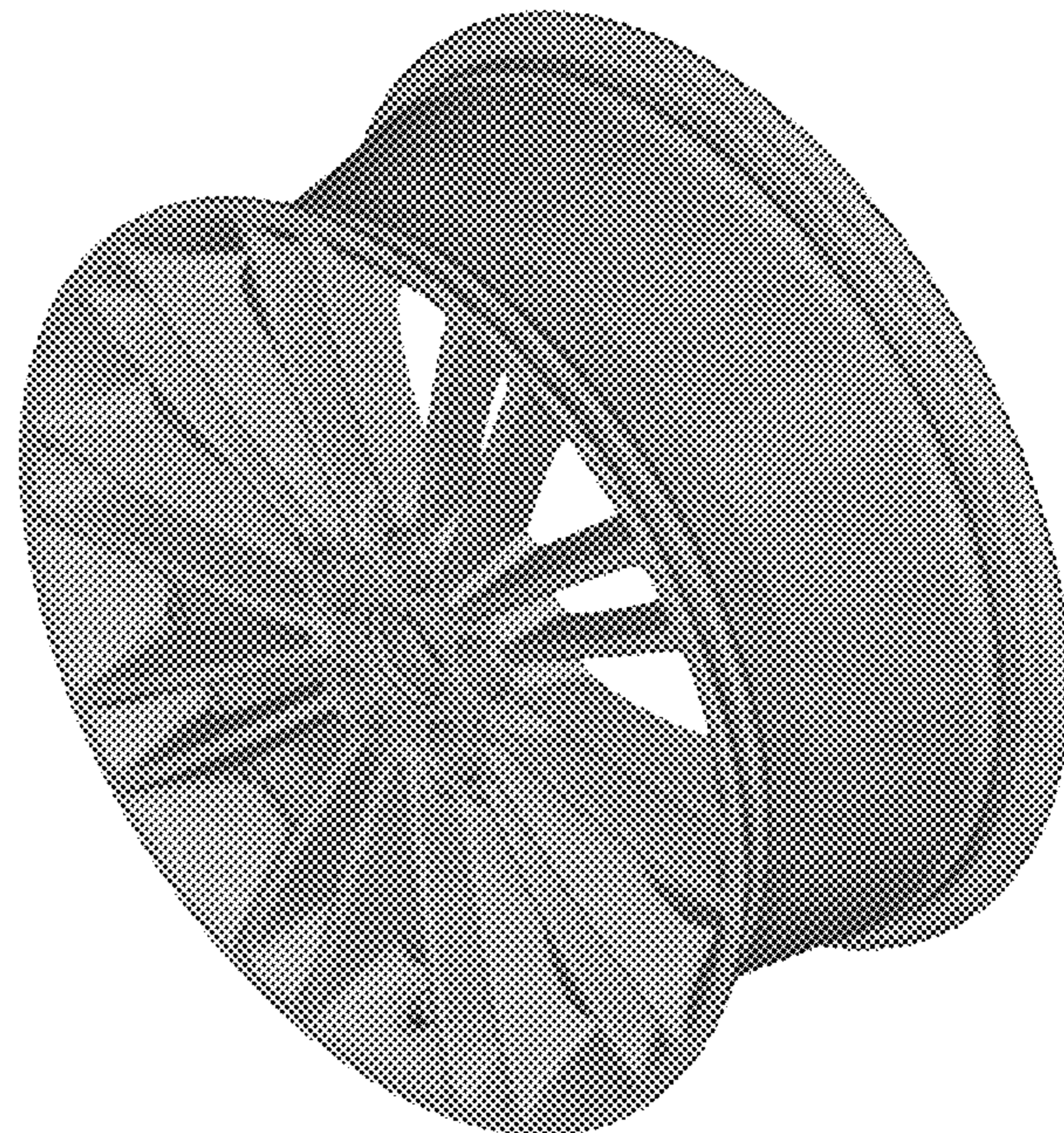
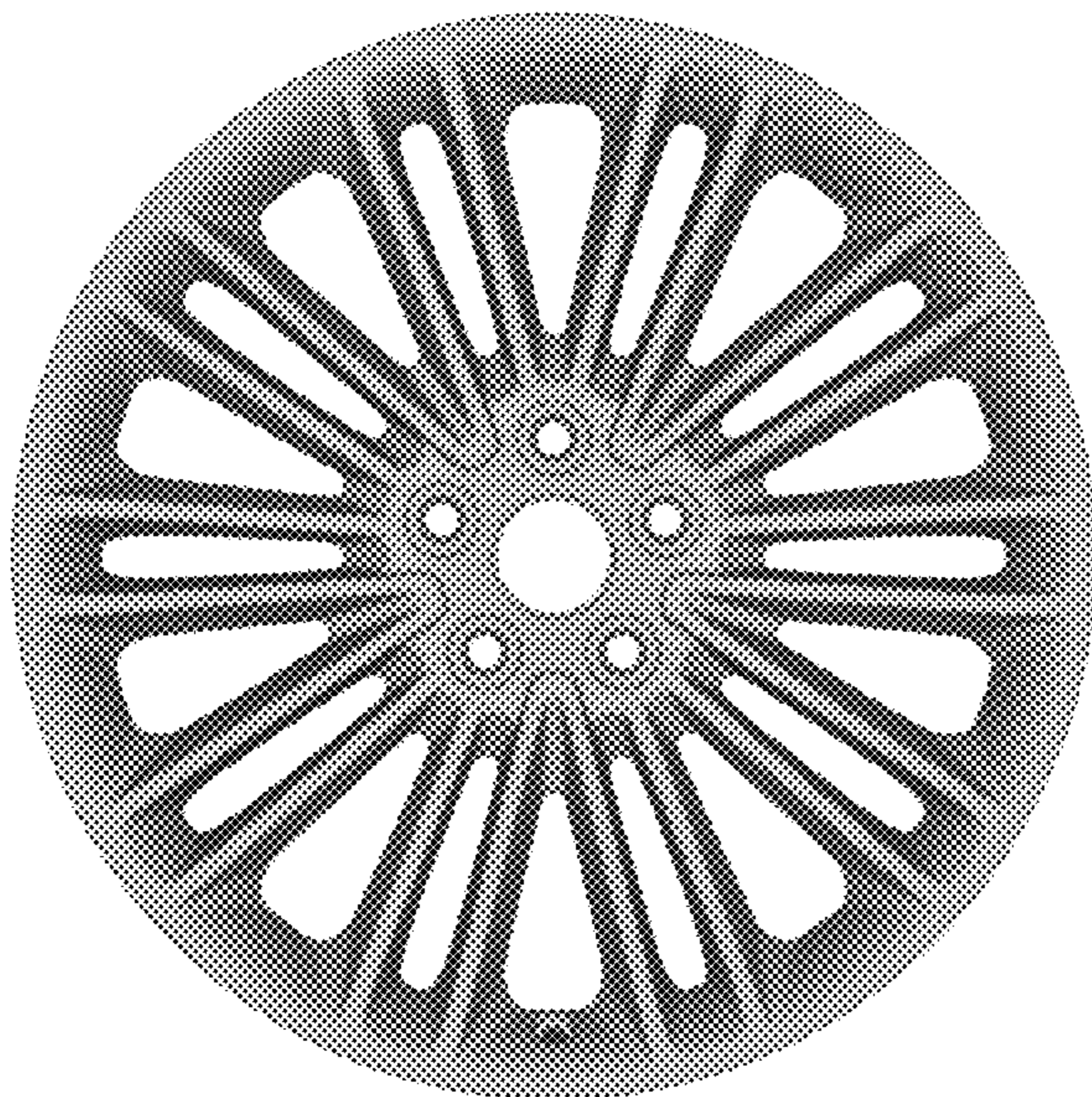
(57) **CLAIM**

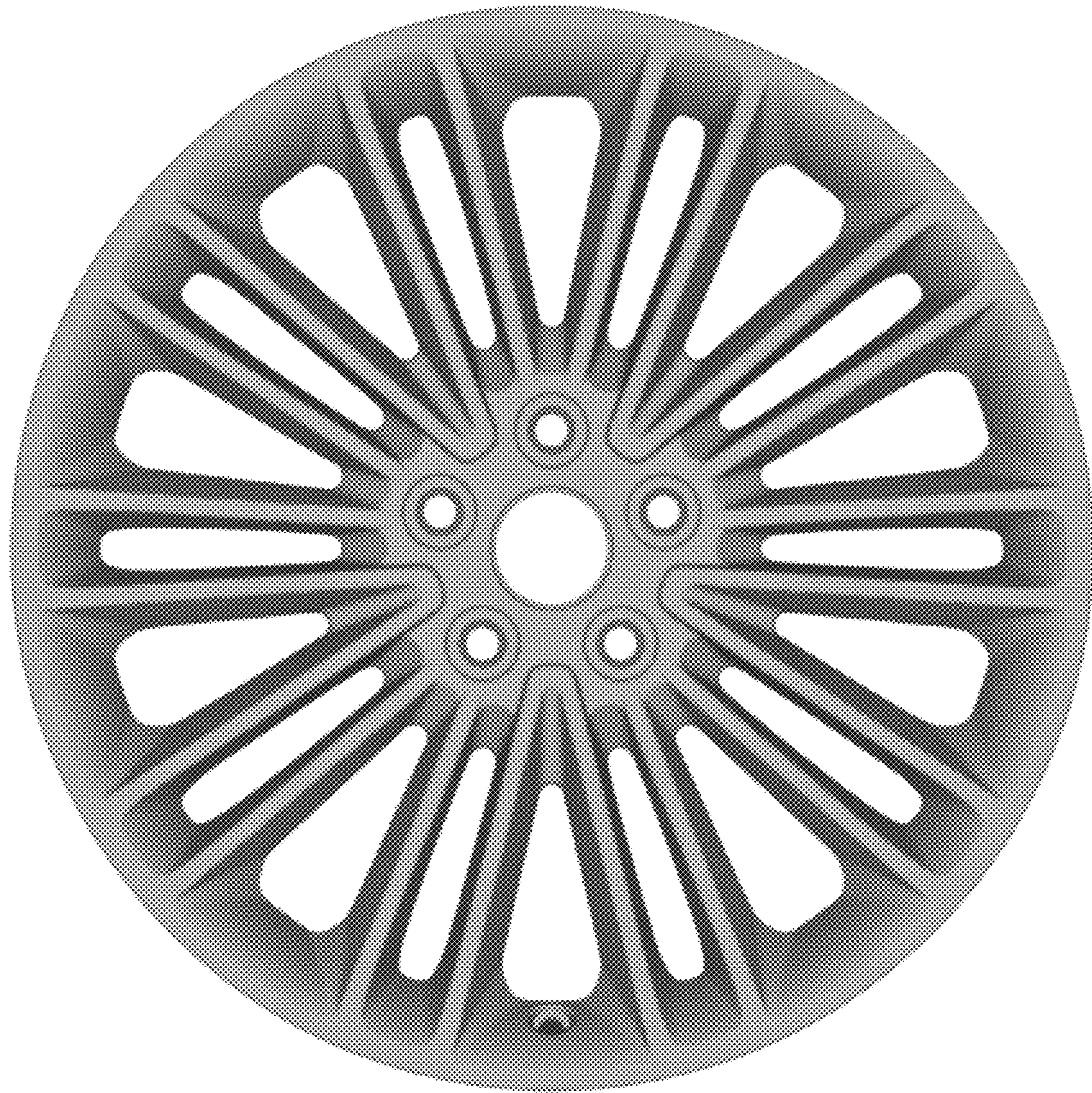
The ornamental design for a vehicle wheel, as shown and described.

**DESCRIPTION**

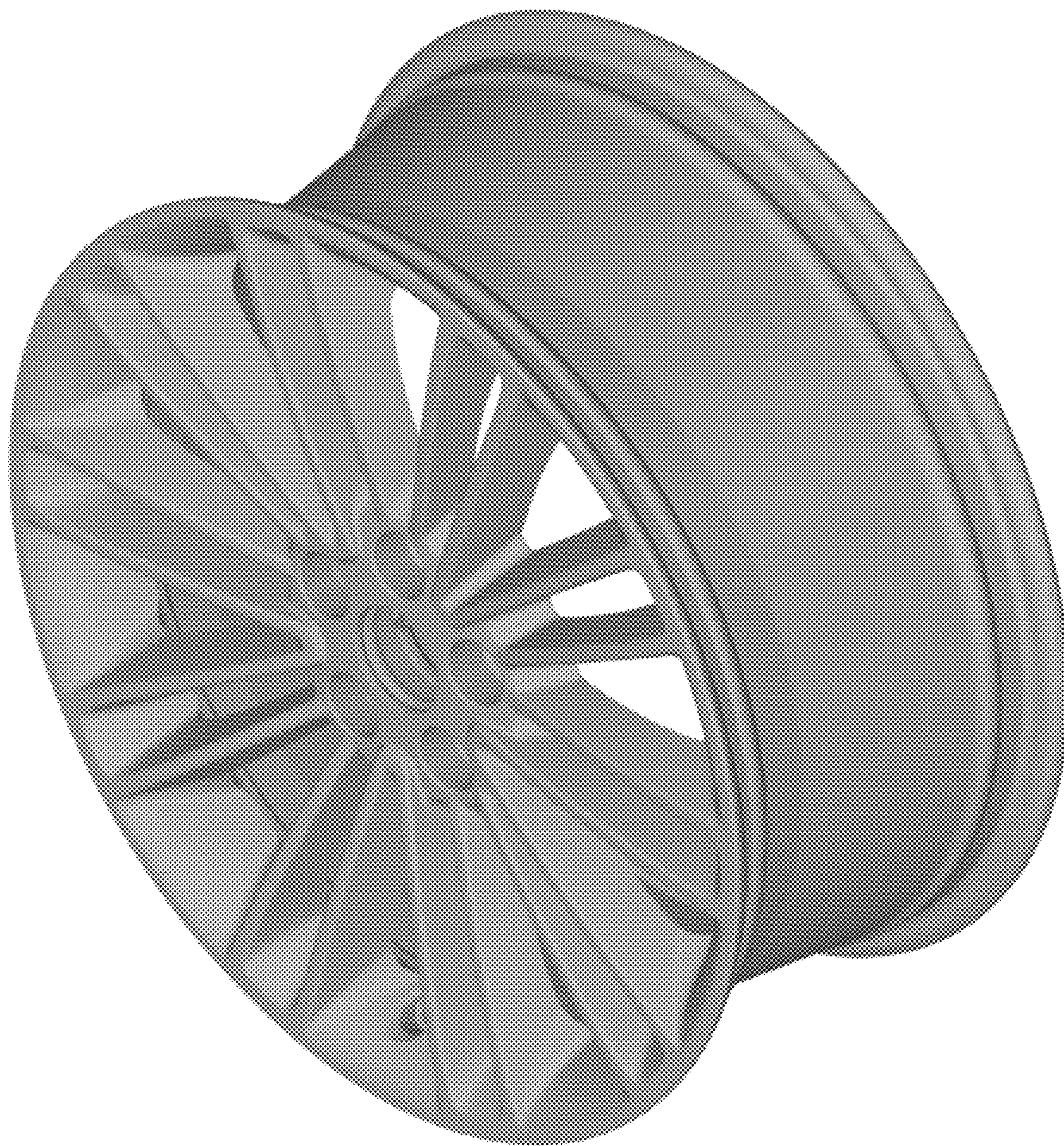
FIG. 1 is a front view of a vehicle wheel; and,  
FIG. 2 is a perspective view of the vehicle wheel.

**1 Claim, 2 Drawing Sheets**





*Figure 1*



*Figure 2*