

US00D668196S

(12) **United States Design Patent**
Tant et al.

(10) **Patent No.:** **US D668,196 S**
(45) **Date of Patent:** **** Oct. 2, 2012**

(54) **VEHICLE WHEEL**

(75) Inventors: **Sean W. Tant**, Livonia, MI (US); **Steven Gilmore**, Redford, MI (US); **William K. Moore**, West Bloomfield, MI (US)

(73) Assignee: **Ford Motor Company**, Dearborn, MI (US)

(**) Term: **14 Years**

(21) Appl. No.: **29/415,206**

(22) Filed: **Mar. 8, 2012**

(51) **LOC (9) Cl.** **12-16**

(52) **U.S. Cl.** **D12/209**

(58) **Field of Classification Search** D12/204-213;
301/37.101, 64.101, 65, 64.201
See application file for complete search history.

(56) **References Cited**

U.S. PATENT DOCUMENTS

D453,492 S * 2/2002 Laengerer D12/209
D455,692 S * 4/2002 Iguchi et al. D12/209

D495,649 S * 9/2004 Schell et al. D12/209
D519,899 S * 5/2006 Metros et al. D12/209
D526,265 S * 8/2006 Muzzarelli D12/209
D540,732 S * 4/2007 Metros et al. D12/211
D544,426 S 6/2007 Siler
D548,665 S * 8/2007 Sanschagrin et al. D12/209
D551,146 S * 9/2007 Hueller D12/209
D580,335 S * 11/2008 Choi et al. D12/211
D581,338 S * 11/2008 Imai D12/209
D614,111 S * 4/2010 Tant et al. D12/211
D625,240 S * 10/2010 George et al. D12/211

* cited by examiner

Primary Examiner — Stacia Cadmus

(74) *Attorney, Agent, or Firm* — Damian Porcari

(57) **CLAIM**

The ornamental design for a vehicle wheel, as shown and described.

DESCRIPTION

FIG. 1 is a front view of a vehicle wheel; and,
FIG. 2 is a perspective view of the vehicle wheel.

1 Claim, 2 Drawing Sheets

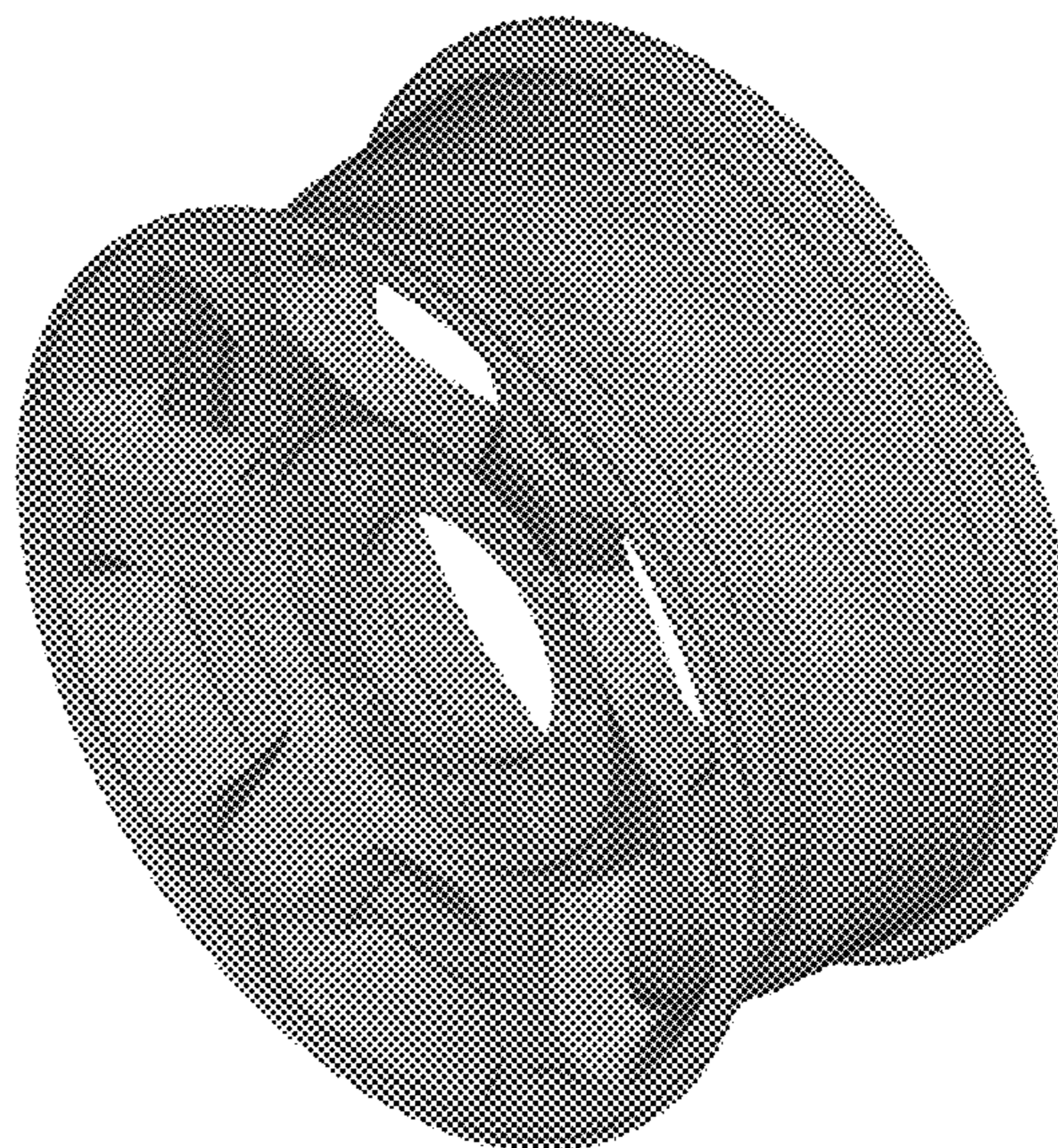
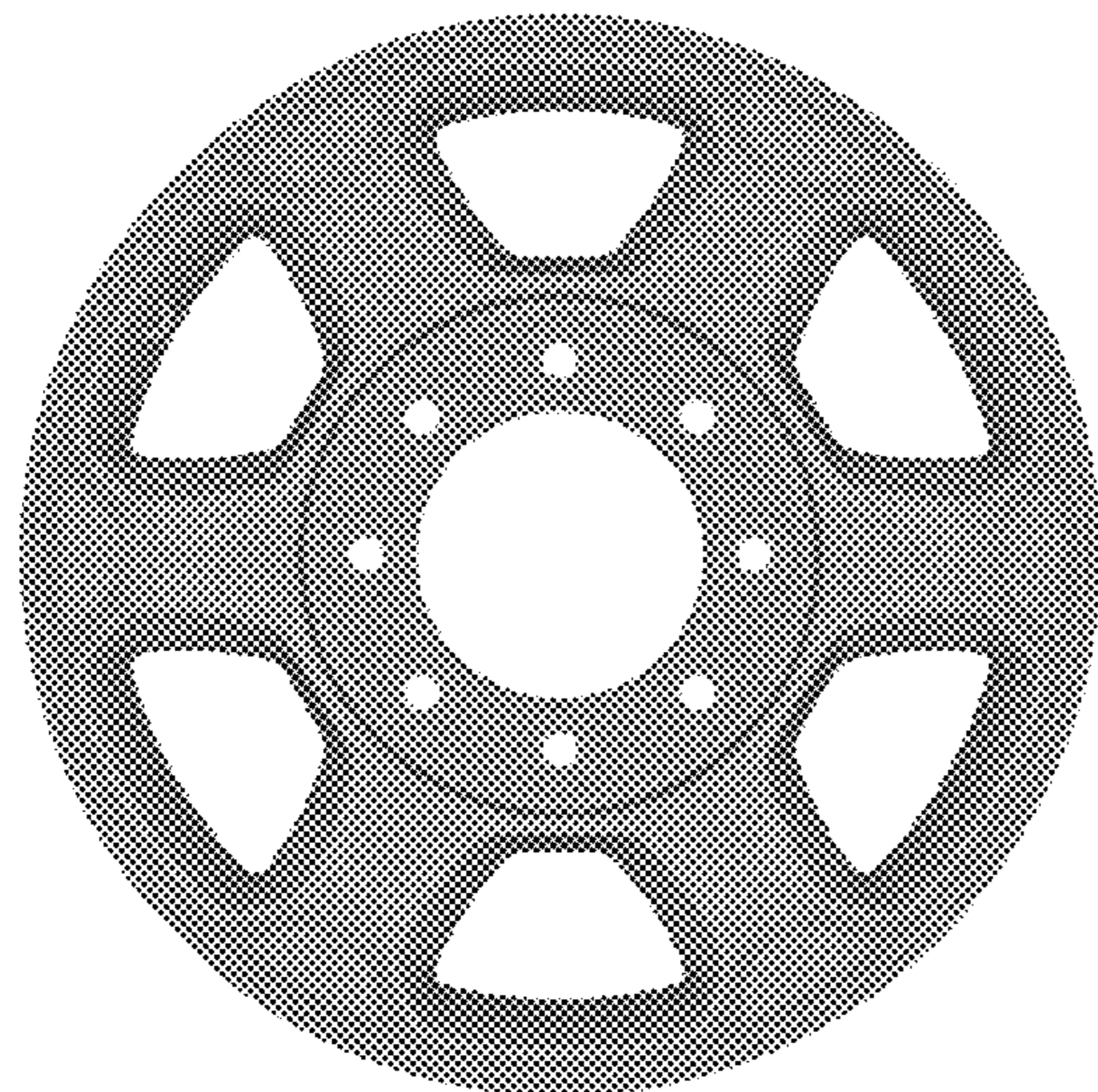




Figure 1



Figure 2