

US00D668190S

(12) **United States Design Patent**
Koman et al.

(10) **Patent No.:** **US D668,190 S**
(45) **Date of Patent:** **** Oct. 2, 2012**

(54) **FRONT BUMPER FOR AUTOMOBILES**

(75) Inventors: **Shuji Koman**, Wako (JP); **Takahiro Suzumi**, Wako (JP)

(73) Assignee: **Honda Motor Co., Ltd**, Tokyo (JP)

(**) Term: **14 Years**

(21) Appl. No.: **29/397,360**

(22) Filed: **Jul. 14, 2011**

(30) **Foreign Application Priority Data**

Jan. 14, 2011 (JP) 2011-000698

(51) **LOC (9) Cl.** **12-16**

(52) **U.S. Cl.** **D12/169**

(58) **Field of Classification Search** D12/169,
D12/196, 171, 216, 163, 86, 90-92; 293/102,
293/113, 115, 117, 120; 296/180.1, 180.2
See application file for complete search history.

(56) **References Cited**

U.S. PATENT DOCUMENTS

D619,515 S * 7/2010 Matsumoto et al. D12/169

D625,671 S * 10/2010 Kim et al. D12/169
D630,979 S * 1/2011 Sperling et al. D12/169
D630,980 S * 1/2011 Sperling et al. D12/169
D636,303 S * 4/2011 Frei et al. D12/169
D659,611 S * 5/2012 Kobayashi et al. D12/169

* cited by examiner

Primary Examiner — Melody N Brown

(74) *Attorney, Agent, or Firm* — Westerman, Hattori,
Daniels & Adrian, LLP

(57) **CLAIM**

The ornamental design for a front bumper for an automobile,
as shown and described.

DESCRIPTION

FIG. 1 is a front elevational view of a front bumper for an
automobile showing our new design;
FIG. 2 is a top plan view thereof;
FIG. 3 is right side elevational view thereof;
FIG. 4 is a left side elevational view thereof; and,
FIG. 5 is a left front perspective view thereof.
The broken lines shown represent unclaimed subject matter
and form no part of the claimed design.

1 Claim, 3 Drawing Sheets

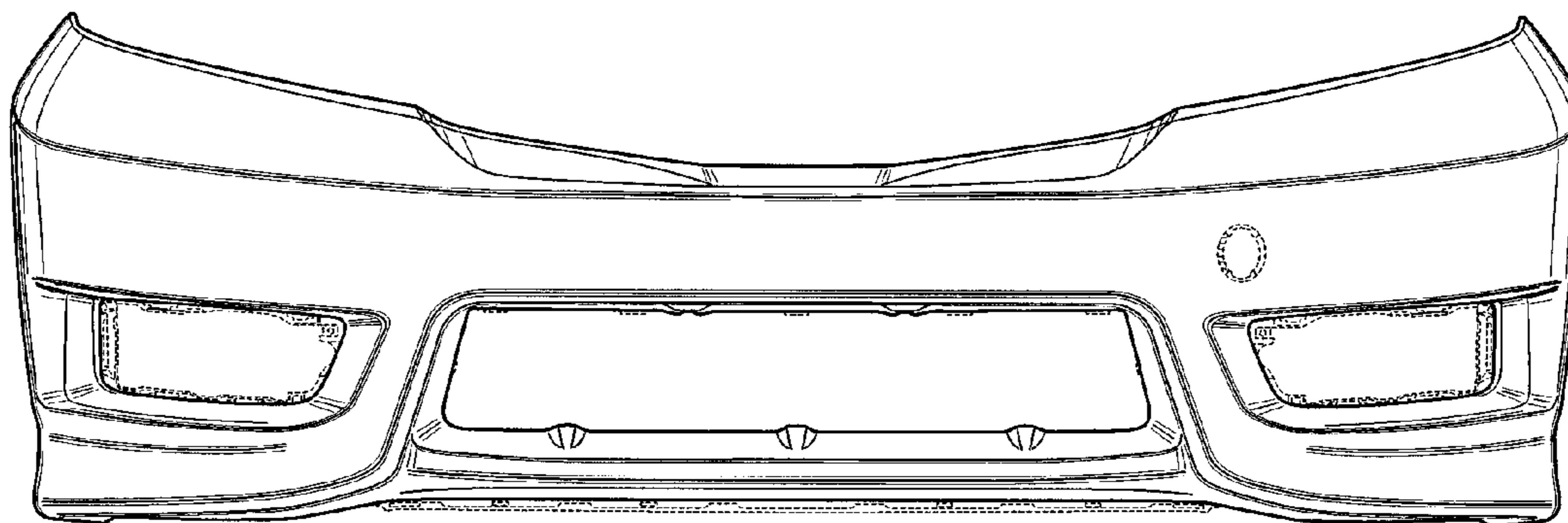


FIG.1

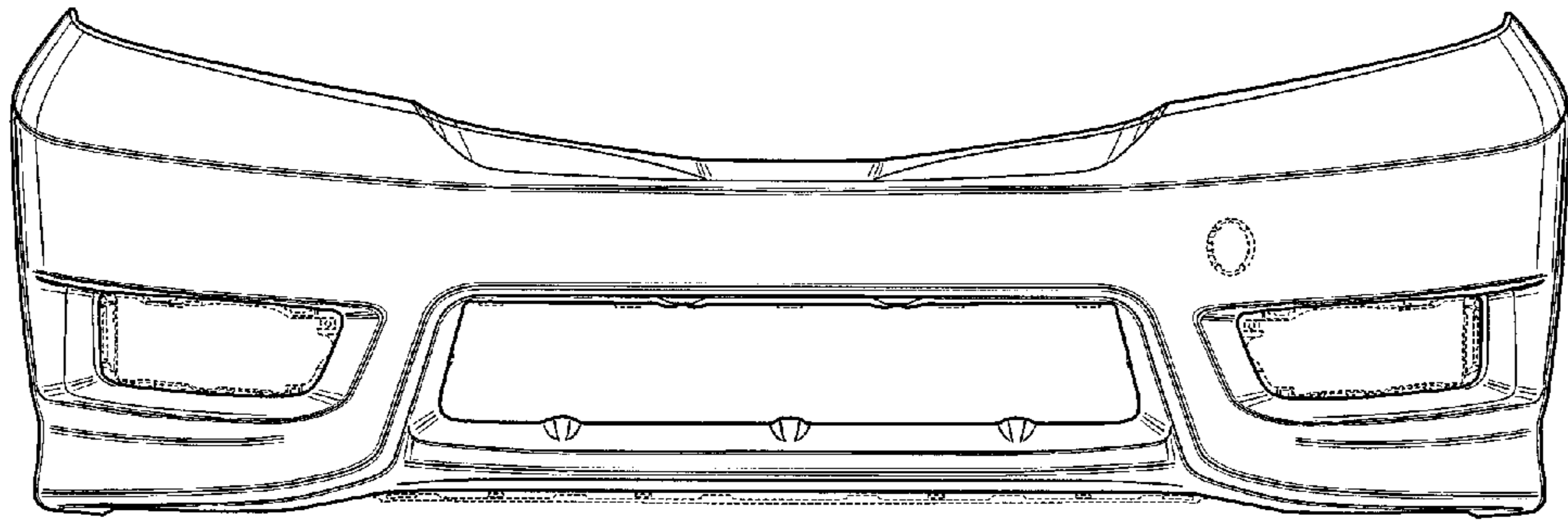


FIG.2

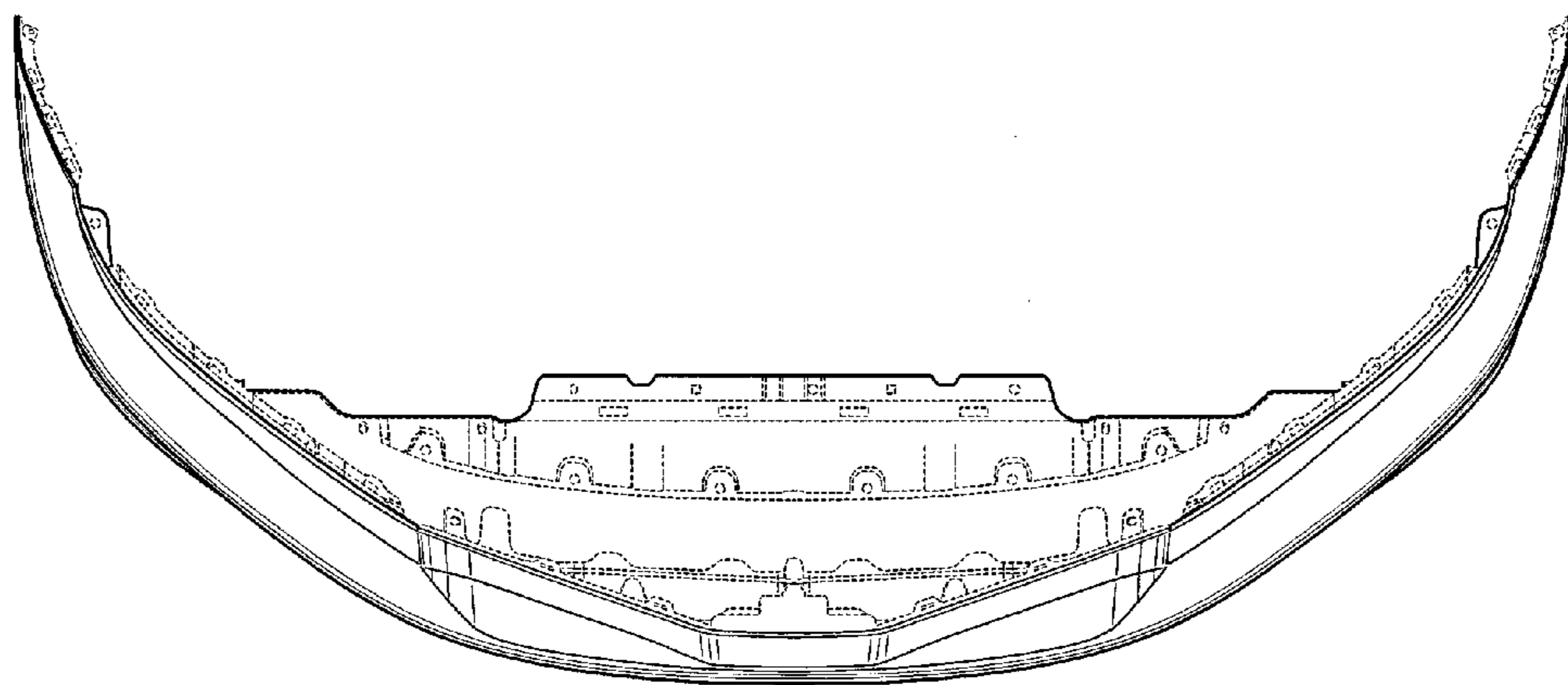


FIG.3

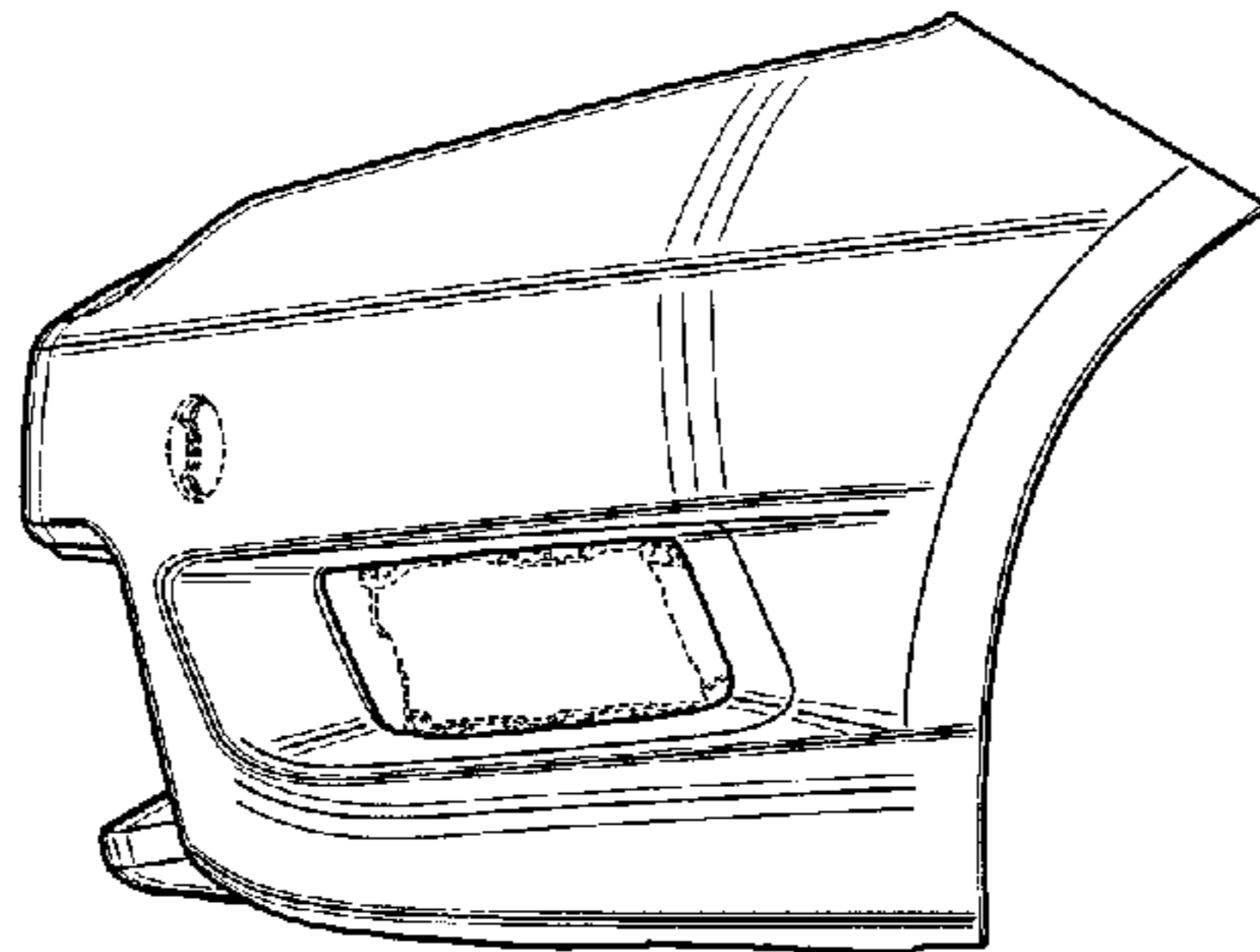


FIG.4

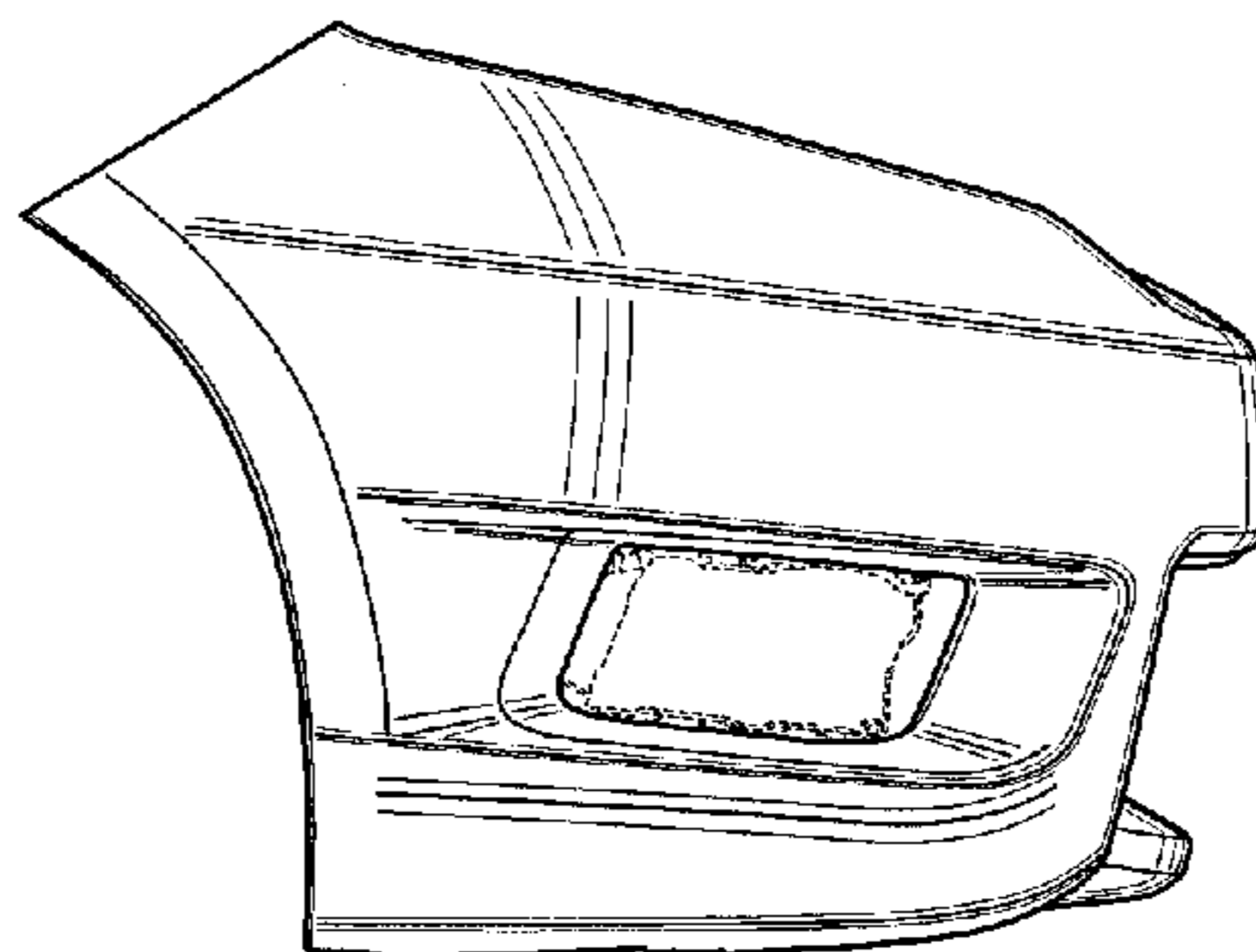


FIG.5

