

US00D668189S

(12) **United States Design Patent**  
**Gifford**

(10) **Patent No.:** **US D668,189 S**

(45) **Date of Patent:** **\*\* Oct. 2, 2012**

(54) **VEHICLE FRONT BUMPER**

(75) Inventor: **Daniel C. Gifford**, Sterling Heights, MI (US)

(73) Assignee: **GM Global Technology Operations LLC**, Detroit, MI (US)

(\*\*) Term: **14 Years**

(21) Appl. No.: **29/397,012**

(22) Filed: **Jul. 11, 2011**

(51) **LOC (9) Cl.** ..... **12-16**

(52) **U.S. Cl.** ..... **D12/169**

(58) **Field of Classification Search** ..... D12/169,  
D12/196, 171, 216, 163, 86, 90-92; 293/102,  
293/113, 115, 117, 120; 296/180.1, 180.2

See application file for complete search history.

(56) **References Cited**

**U.S. PATENT DOCUMENTS**

D550,594 S	*	9/2007	Pfeiffer	.....	D12/169
D578,451 S	*	10/2008	Jodo et al.	.....	D12/169
D580,314 S	*	11/2008	Yamaji	.....	D12/169
D586,705 S	*	2/2009	Bauer et al.	.....	D12/169
D589,414 S	*	3/2009	Futschik et al.	.....	D12/169

D605,096 S	*	12/2009	Mueller	.....	D12/169
D610,956 S	*	3/2010	Truebsbach	.....	D12/169
D623,566 S	*	9/2010	Bauer et al.	.....	D12/169
D625,230 S	*	10/2010	Hirai et al.	.....	D12/169
D626,473 S	*	11/2010	Mueller	.....	D12/169
D630,978 S	*	1/2011	Koshino et al.	.....	D12/169
D633,013 S	*	2/2011	Bauer et al.	.....	D12/169
D636,303 S	*	4/2011	Frei et al.	.....	D12/169
D637,945 S	*	5/2011	Nakagawa	.....	D12/169
D656,871 S	*	4/2012	Fetherston et al.	.....	D12/169

\* cited by examiner

*Primary Examiner* — Melody N Brown

(74) *Attorney, Agent, or Firm* — Parks IP Law LLC; Mickki D. Murray

(57) **CLAIM**

The ornamental design for a vehicle front bumper, as shown and described.

**DESCRIPTION**

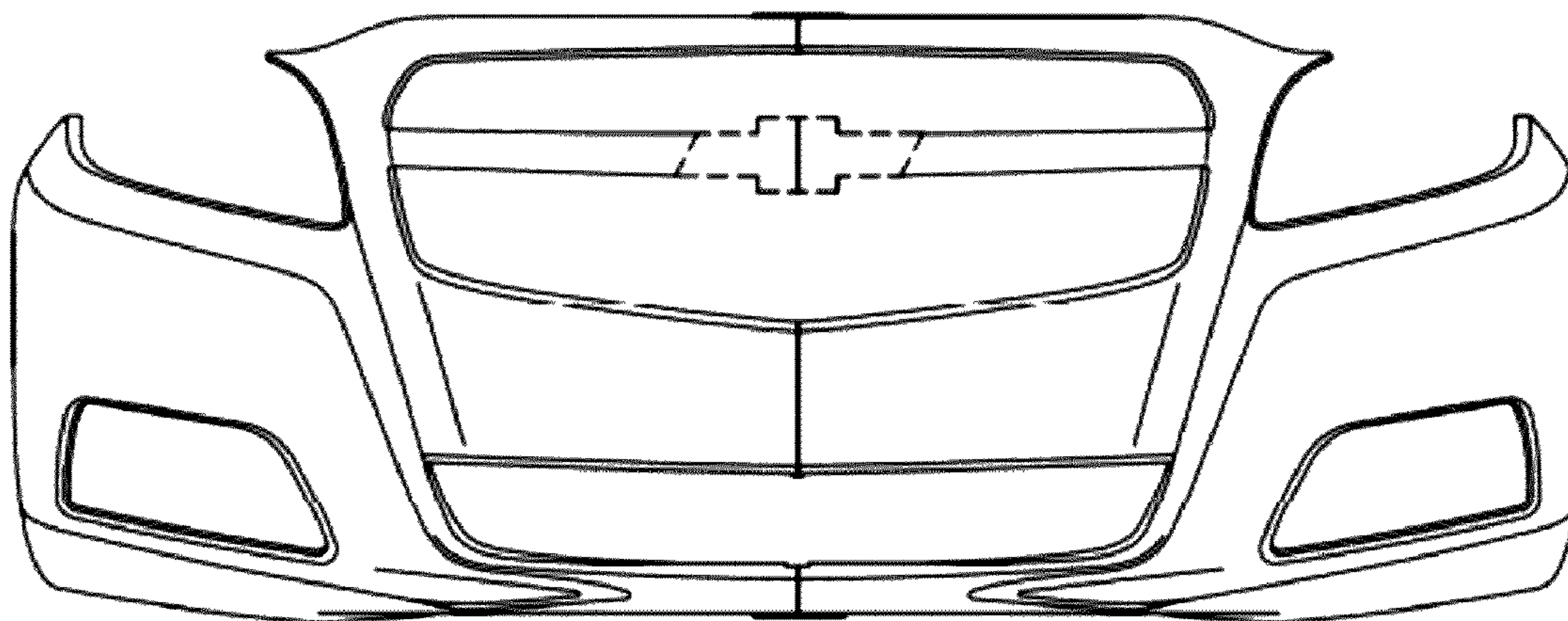
FIG. 1 is perspective of a vehicle front bumper showing the new design;

FIG. 2 is a front view, thereof;

FIG. 3 is a side view, thereof; and,

FIG. 4 is a top plan view, thereof.

**1 Claim, 1 Drawing Sheet**



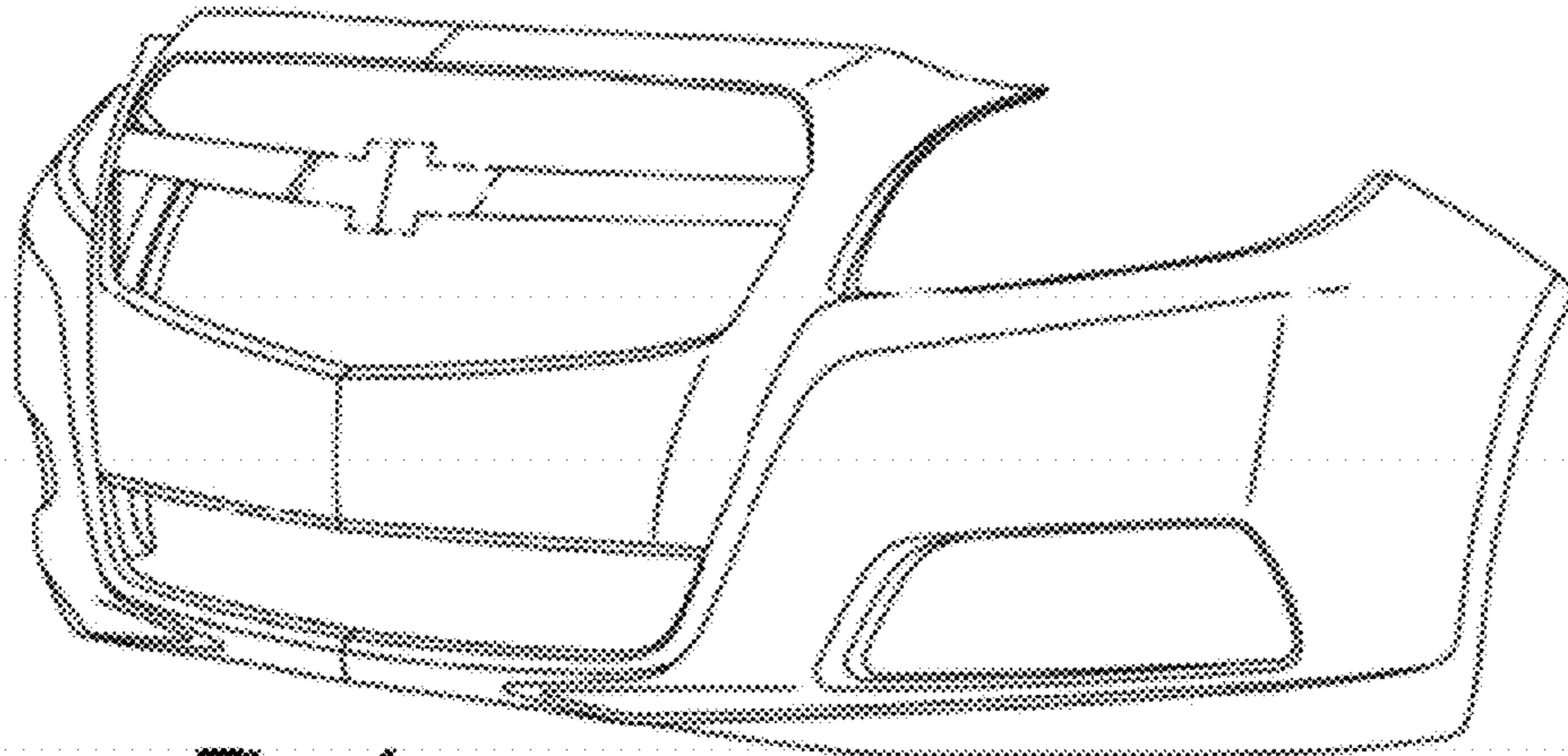


Fig-1

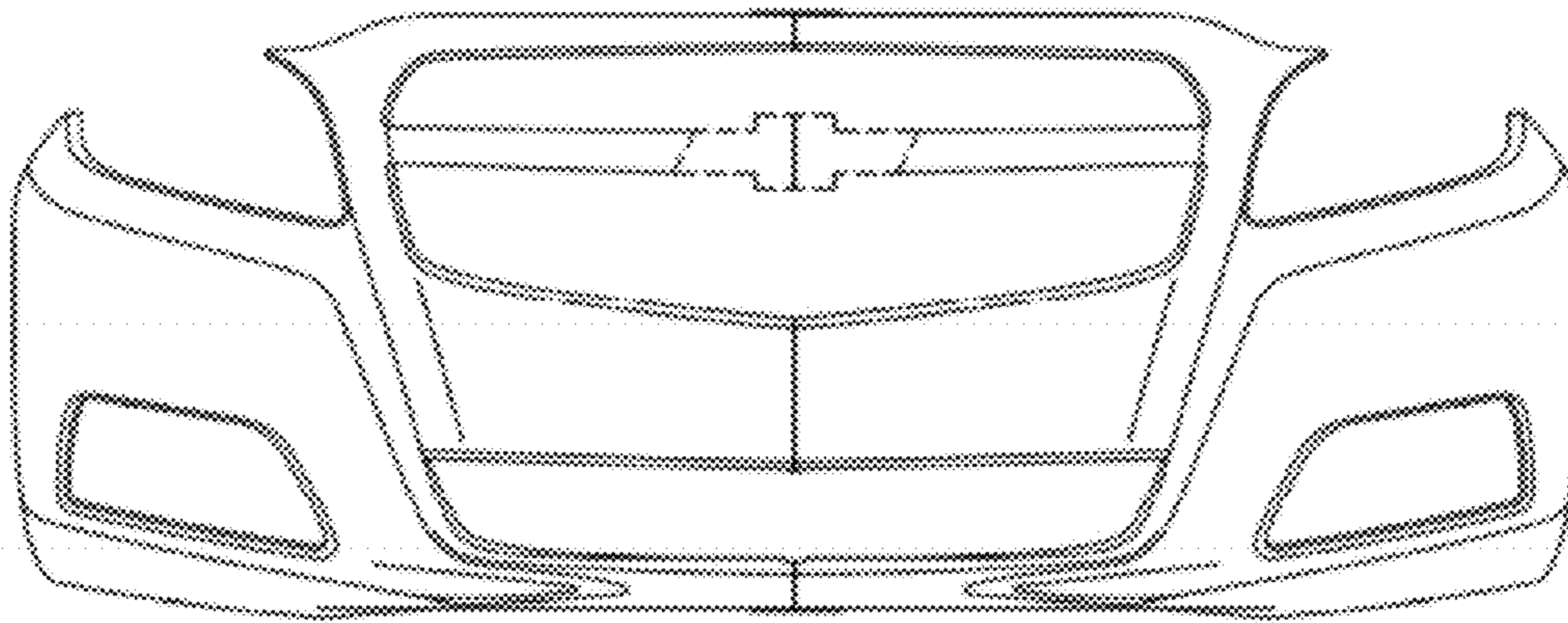


Fig-2

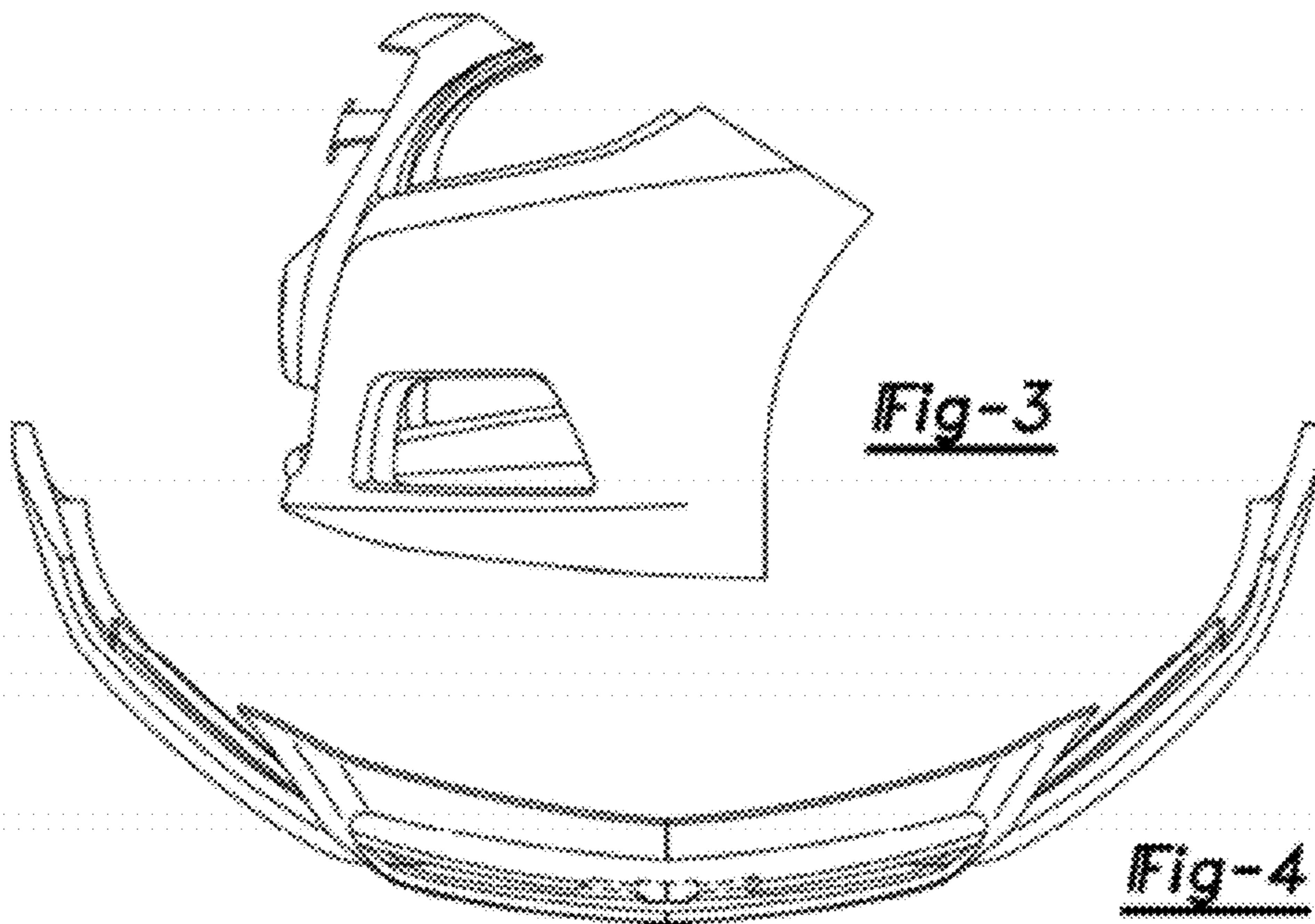


Fig-3

Fig-4