

US00D668184S

(12) **United States Design Patent**
Tashiro

(10) **Patent No.:** **US D668,184 S**

(45) **Date of Patent:** **** Oct. 2, 2012**

(54) **FOUR WHEELED MOTORCYCLE**

(75) Inventor: **Yasuho Tashiro**, Tokyo-to (JP)

(73) Assignee: **Yamaha Hatsudoki Kabushiki Kaisha**
(JP)

(**) Term: **14 Years**

(21) Appl. No.: **29/388,197**

(22) Filed: **Mar. 25, 2011**

(51) **LOC (9) Cl.** **12-11**

(52) **U.S. Cl.** **D12/107**

(58) **Field of Classification Search** D12/3,
D12/86, 87, 107, 110; 180/223, 225, 233,
180/229, 311, 312, 315

See application file for complete search history.

(56) **References Cited**

U.S. PATENT DOCUMENTS

D532,339 S	11/2006	Hishiki	D12/107
D585,792 S	* 2/2009	Chao et al.	D12/107
D599,250 S	* 9/2009	Hirano	D12/107
D620,399 S	* 7/2010	Wu et al.	D12/107
D643,781 S	* 8/2011	Nagao et al.	D12/107
D657,721 S	* 4/2012	Miyamishi	D12/107

OTHER PUBLICATIONS

“Grizzly 350, Midsize Agility Meets Full-Size Toughness”, *2011 Utility ATV Side x Side, Yamaha Brochure*. (2011).

“Built to Work. The Rugged and Reliable 2012 Foreman”, <http://powersports.honda.com> (2011).

* cited by examiner

Primary Examiner — Susan M Lee

Assistant Examiner — Linda G. Brooks

(74) *Attorney, Agent, or Firm* — Ostrolenk Faber LLP

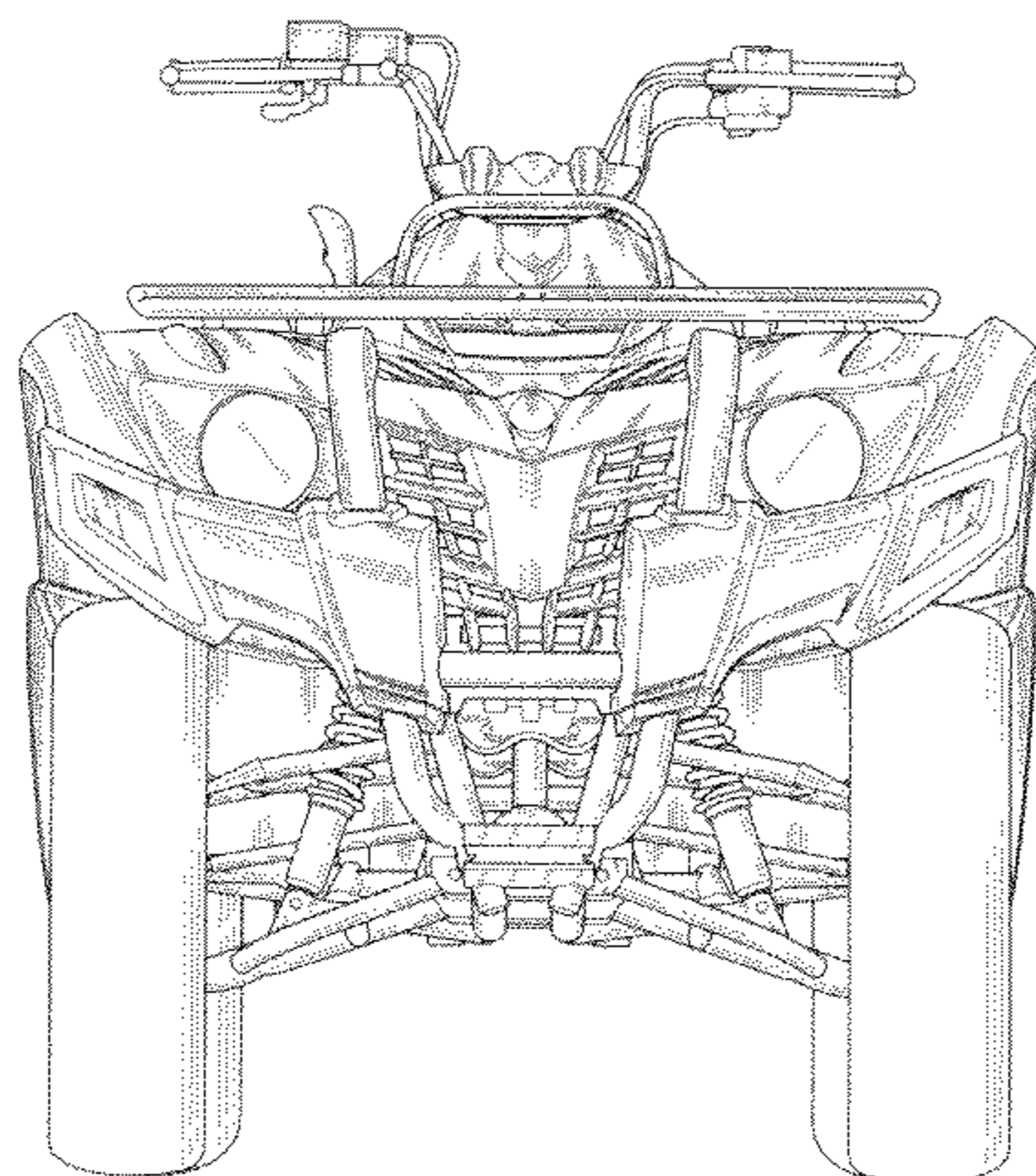
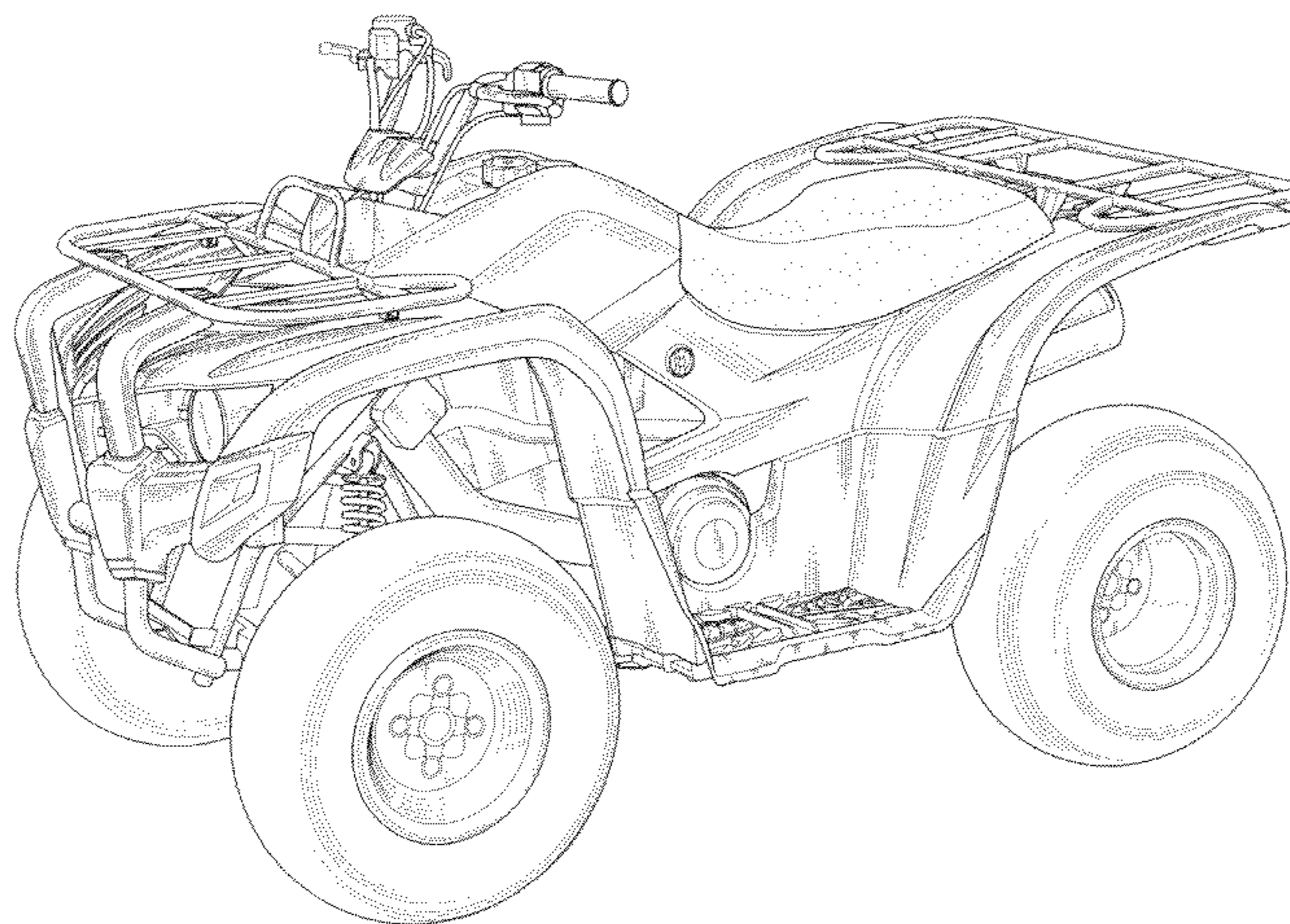
(57) **CLAIM**

The ornamental design for a four wheeled motorcycle, as shown.

DESCRIPTION

FIG. 1 is a right side, front, perspective view of a four wheeled motorcycle showing my new design; FIG. 2 is a right side view thereof; FIG. 3 is a left side view thereof; FIG. 4 is a front view thereof; FIG. 5 is a rear view thereof; FIG. 6 is a top view thereof; and, FIG. 7 is a bottom view thereof.

1 Claim, 7 Drawing Sheets



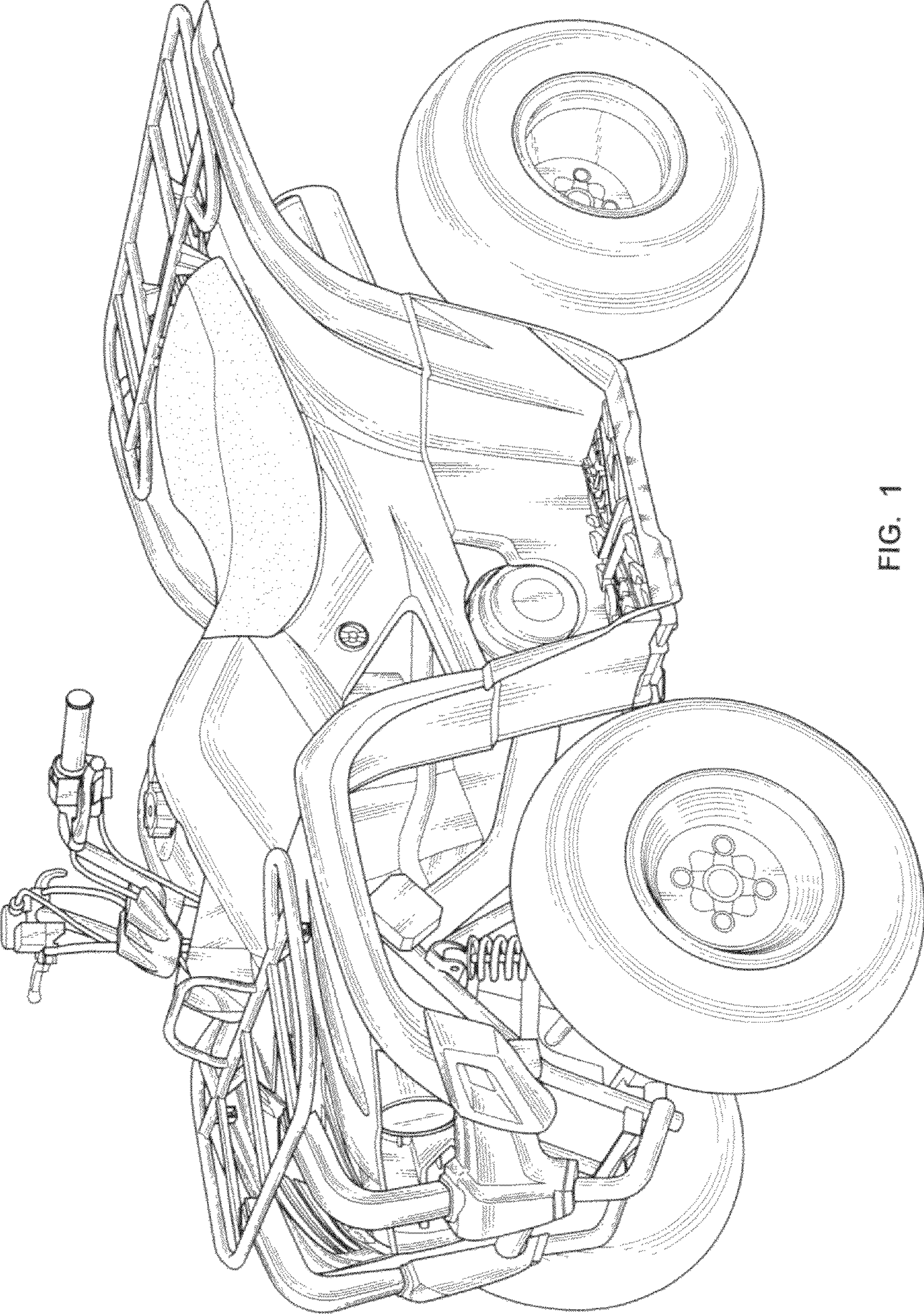


FIG. 1

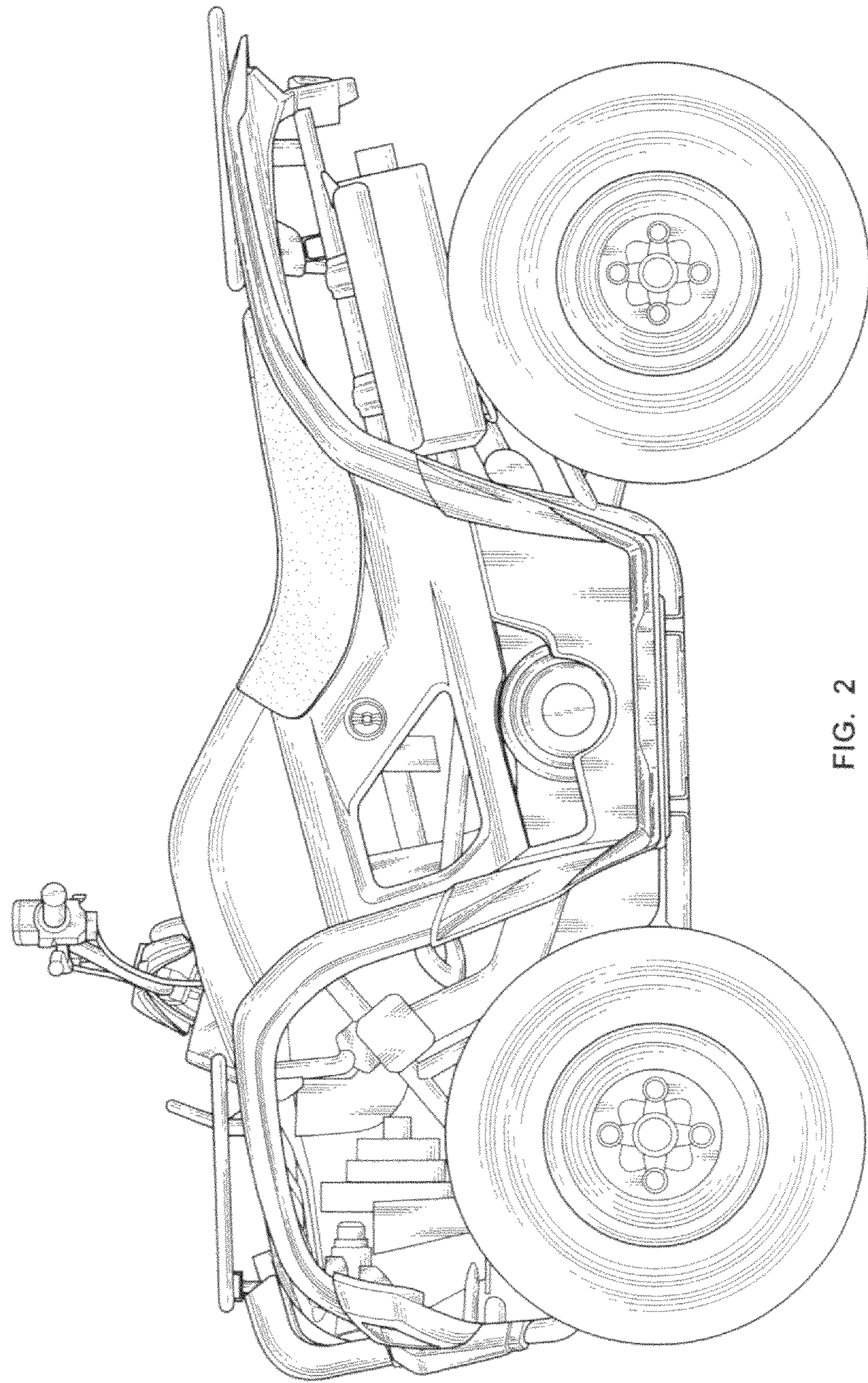


FIG. 2

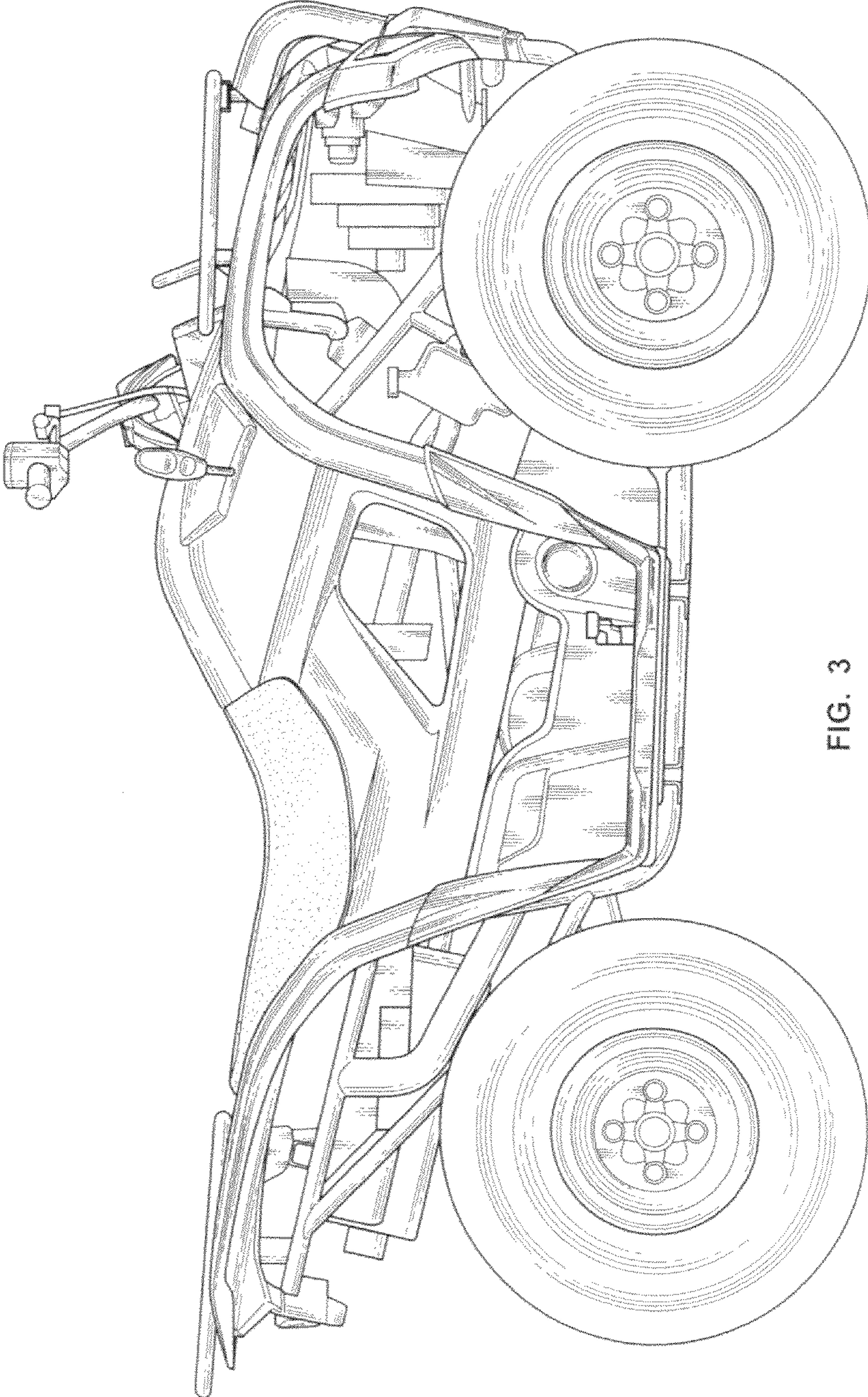


FIG. 3

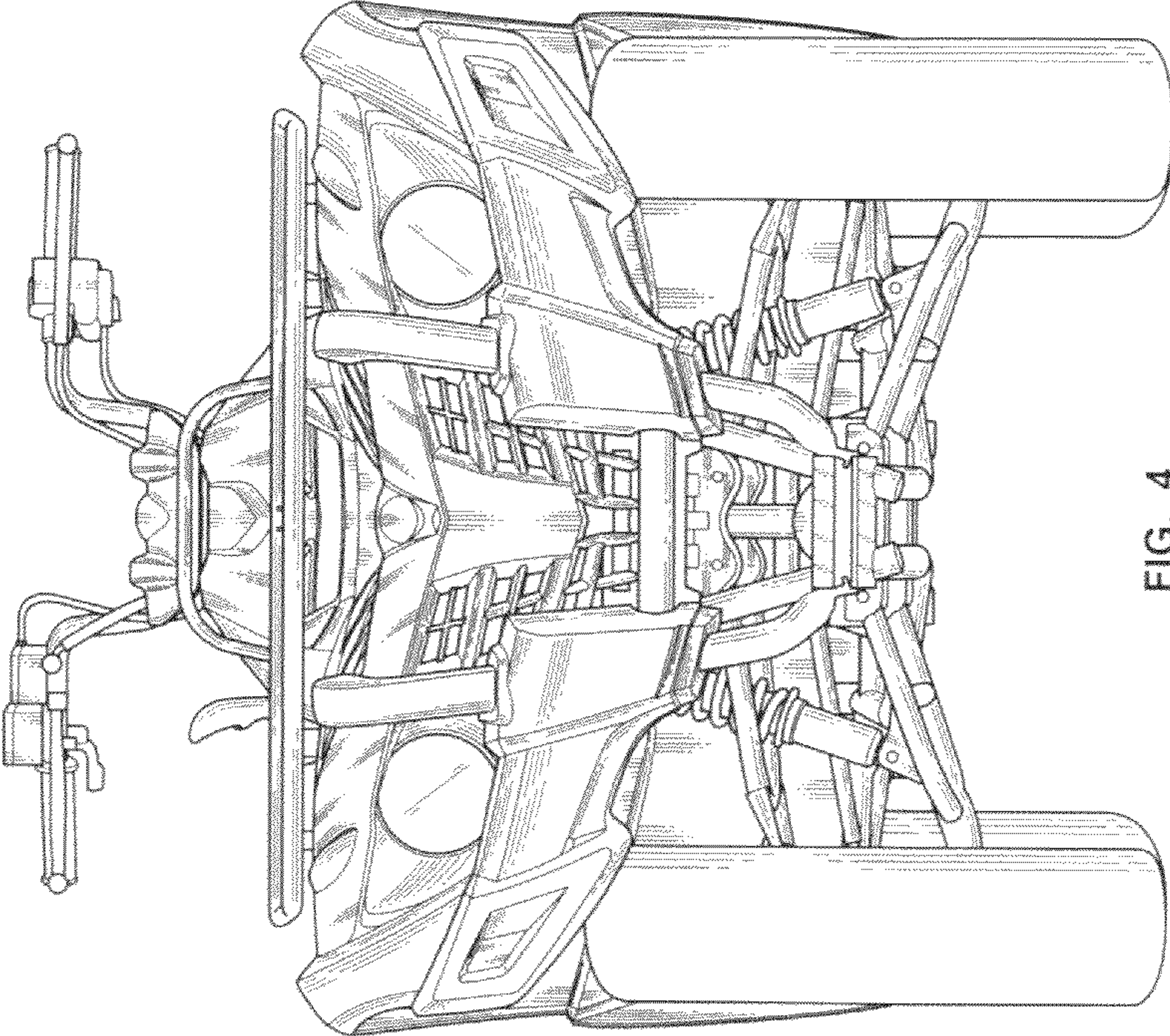


FIG. 4

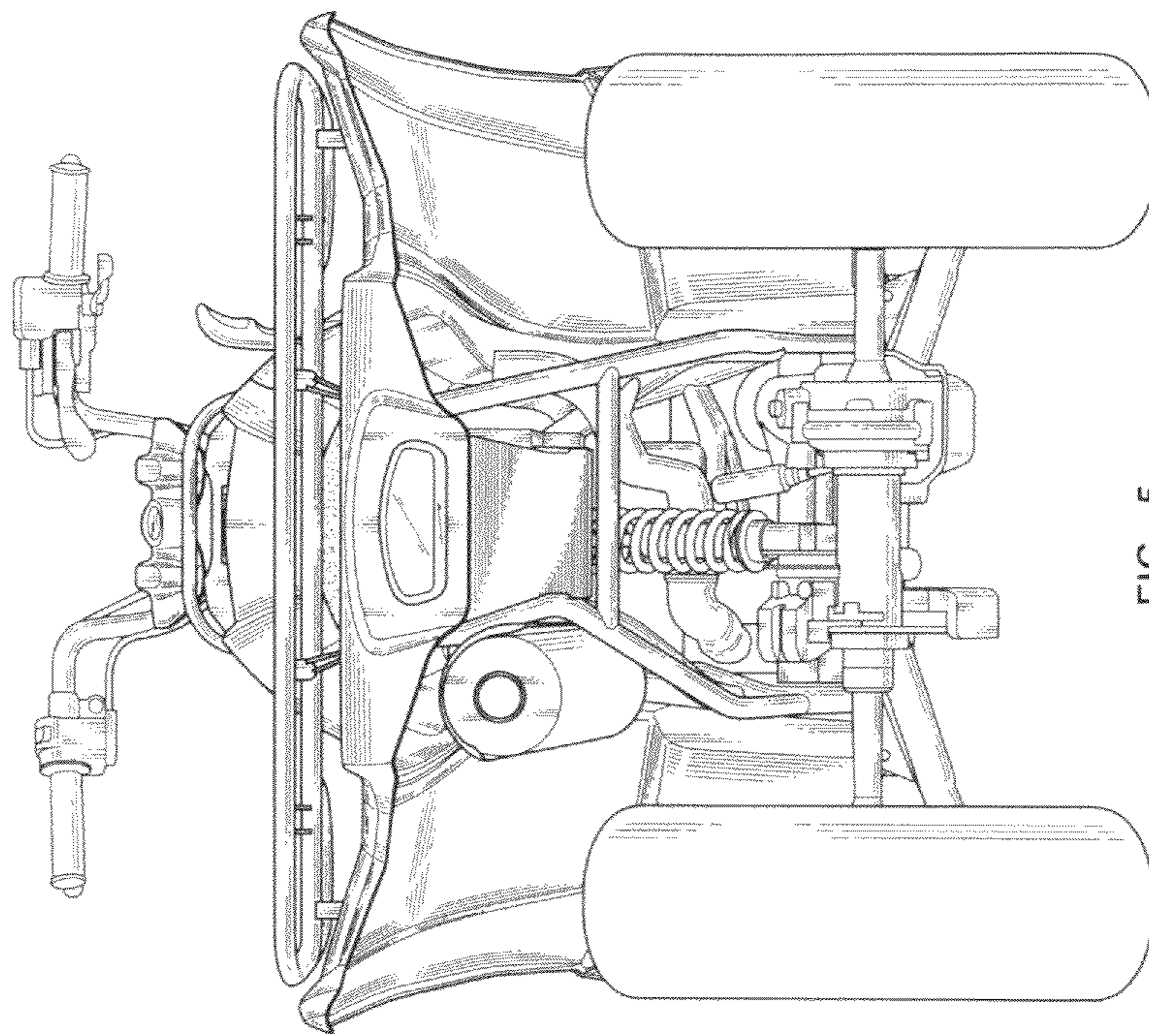


FIG. 5

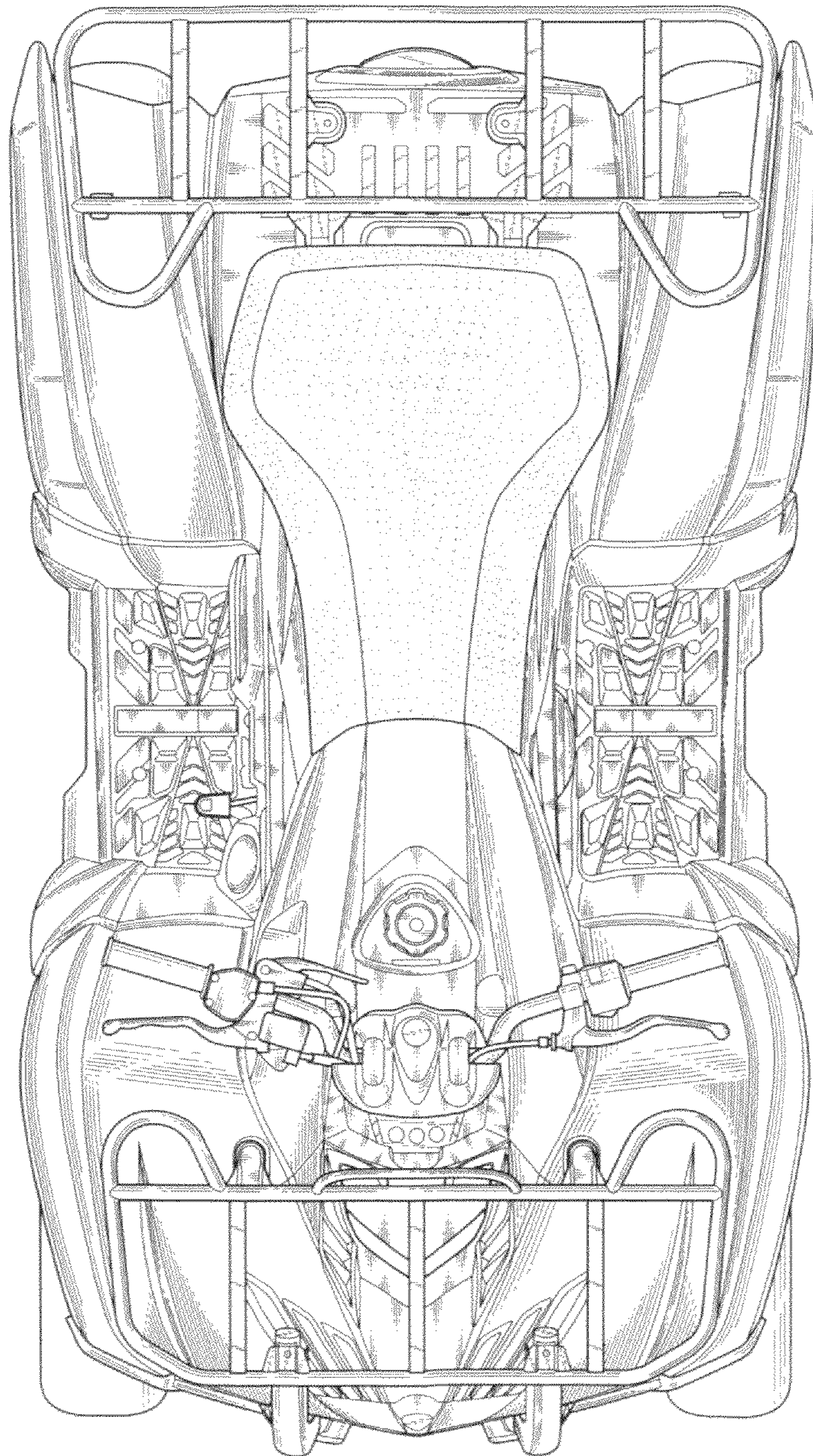


FIG. 6

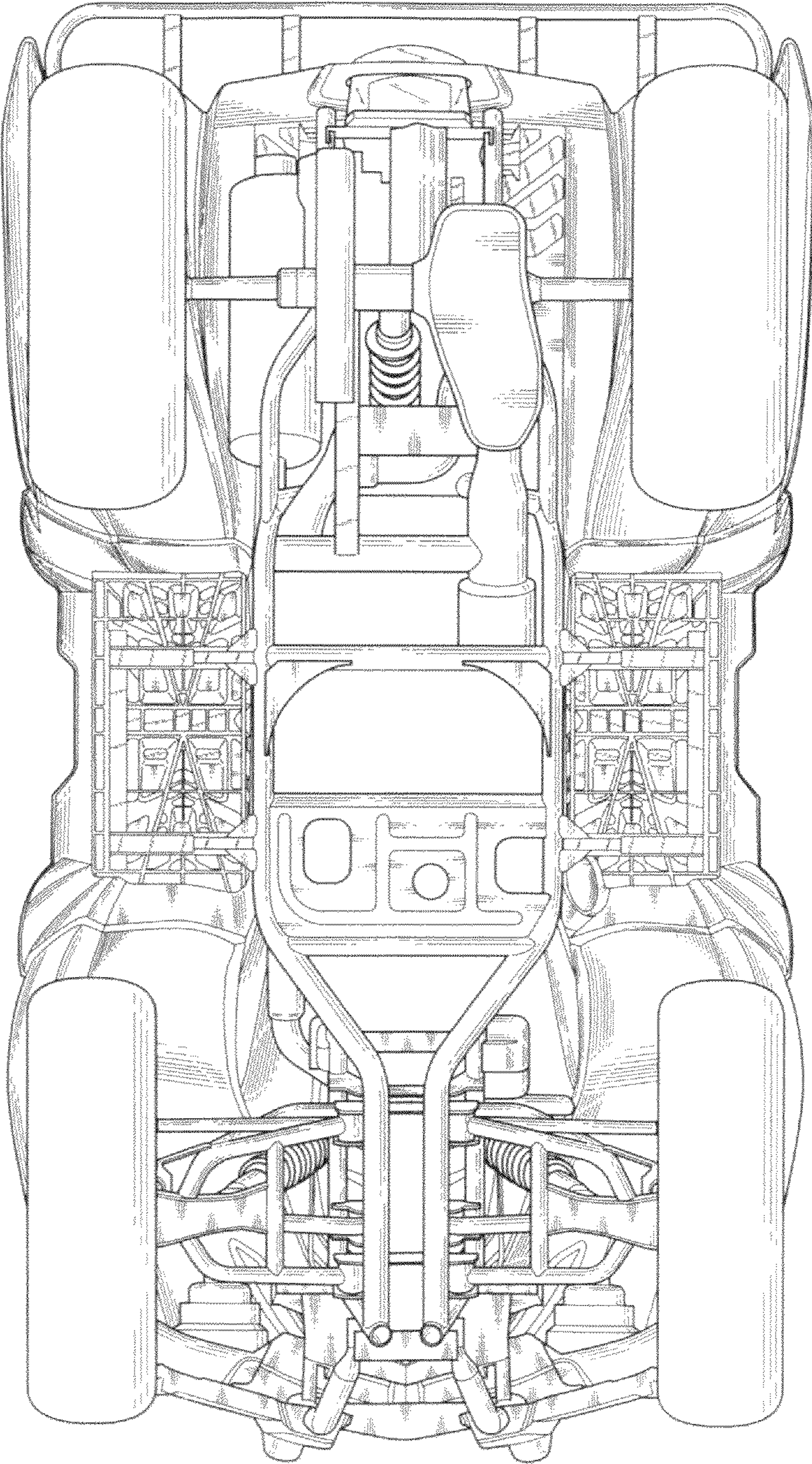


FIG. 7