



US00D668178S

(12) **United States Design Patent**
Kao

(10) **Patent No.:** **US D668,178 S**
(45) **Date of Patent:** **** Oct. 2, 2012**

(54) **BUCKLE**

(75) Inventor: **Tien-Chih Kao**, Taipei (TW)

(73) Assignee: **Duraflex Hong Kong Limited**, Hong Kong (HK)

(**) Term: **14 Years**

(21) Appl. No.: **29/409,003**

(22) Filed: **Dec. 20, 2011**

(51) **LOC (9) Cl.** **02-07**

(52) **U.S. Cl.** **D11/216**

(58) **Field of Classification Search** D11/1-2,
D11/200-201, 206-210, 214-218; 24/163 R,
24/169-171, 173, 177-179, 191, 194-195,
24/197, 200, 614-616, 625, 198
See application file for complete search history.

(56) **References Cited**

U.S. PATENT DOCUMENTS

D502,671 S *	3/2005	Yoshiguchi	D11/216
D567,711 S *	4/2008	Yoshie et al.	D11/218
D593,902 S *	6/2009	Yoshiguchi	D11/216
D619,042 S *	7/2010	Uehara	D11/216
D646,996 S *	10/2011	Kawaguchi	D11/216
D657,286 S *	4/2012	Lo	D11/216

* cited by examiner

Primary Examiner — Ralf Seifert

(57) **CLAIM**

The ornamental design for a buckle, as shown and described.

DESCRIPTION

FIG. 1 is a perspective view of a male buckle member of a buckle of my new design;

FIG. 2 is a front view of the male buckle member of the buckle thereof;

FIG. 3 is a back view of the male buckle member of the buckle thereof;

FIG. 4 is a left view of the male buckle member of the buckle thereof;

FIG. 5 is a right view of the male buckle member of the buckle thereof;

FIG. 6 is a top view of the male buckle member of the buckle thereof;

FIG. 7 is a bottom view of the male buckle member of the buckle thereof;

FIG. 8 is a perspective view of a female buckle member of the buckle;

FIG. 9 is a front view of the female buckle member of the buckle thereof;

FIG. 10 is a back view of the female buckle member of the buckle thereof;

FIG. 11 is a left view of the female buckle member of the buckle thereof;

FIG. 12 is a right view of the female buckle member of the buckle thereof;

FIG. 13 is a top view of the female buckle member of the buckle thereof;

FIG. 14 is a bottom view of the female buckle member of the buckle thereof.

FIG. 15 is a perspective view of the buckle;

FIG. 16 is a front view of the buckle thereof;

FIG. 17 is a back view of the buckle thereof;

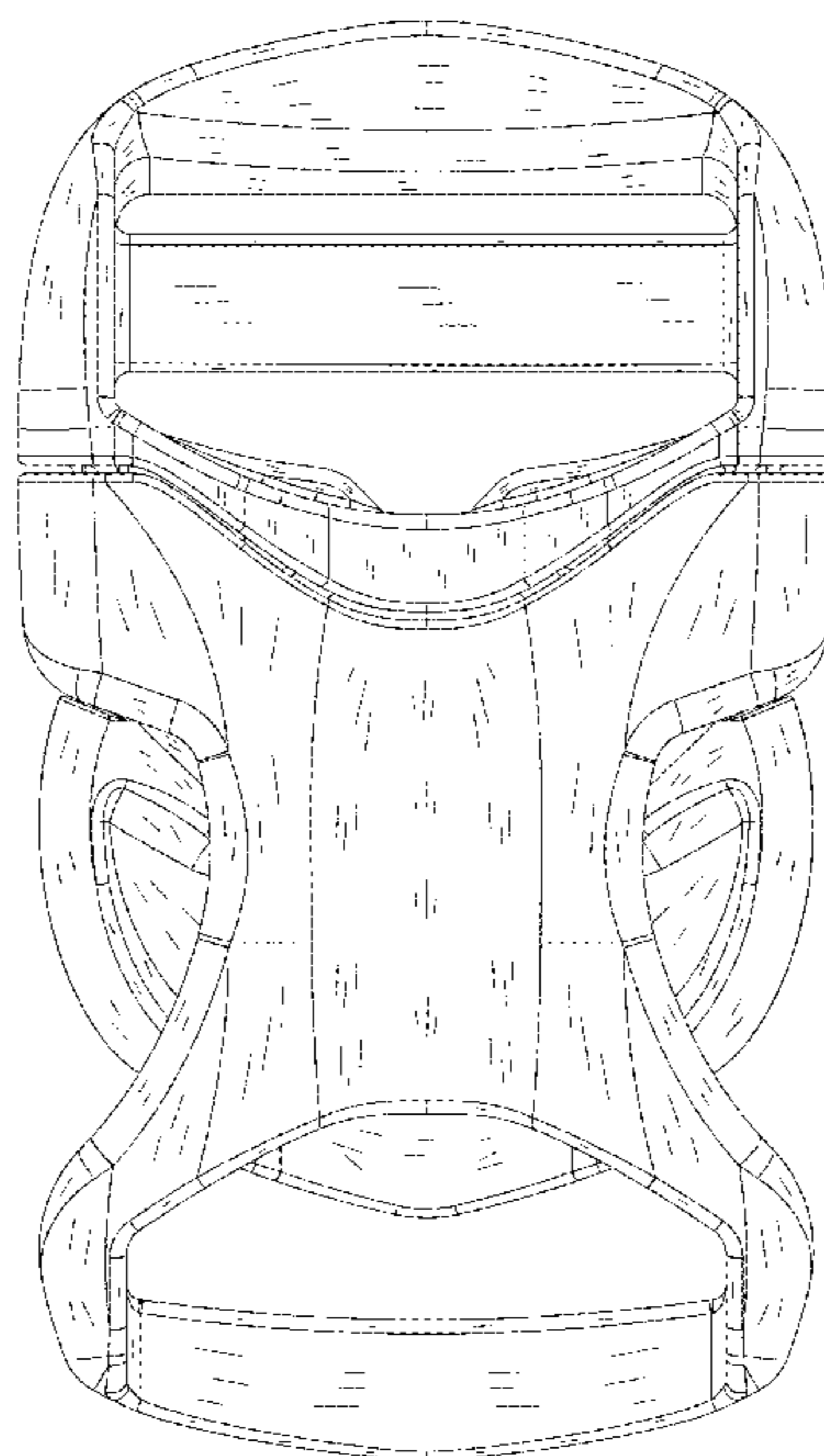
FIG. 18 is a left view of the buckle thereof;

FIG. 19 is a right view of the buckle thereof;

FIG. 20 is a top view of the buckle thereof; and,

FIG. 21 is a bottom view of the buckle thereof.

1 Claim, 21 Drawing Sheets



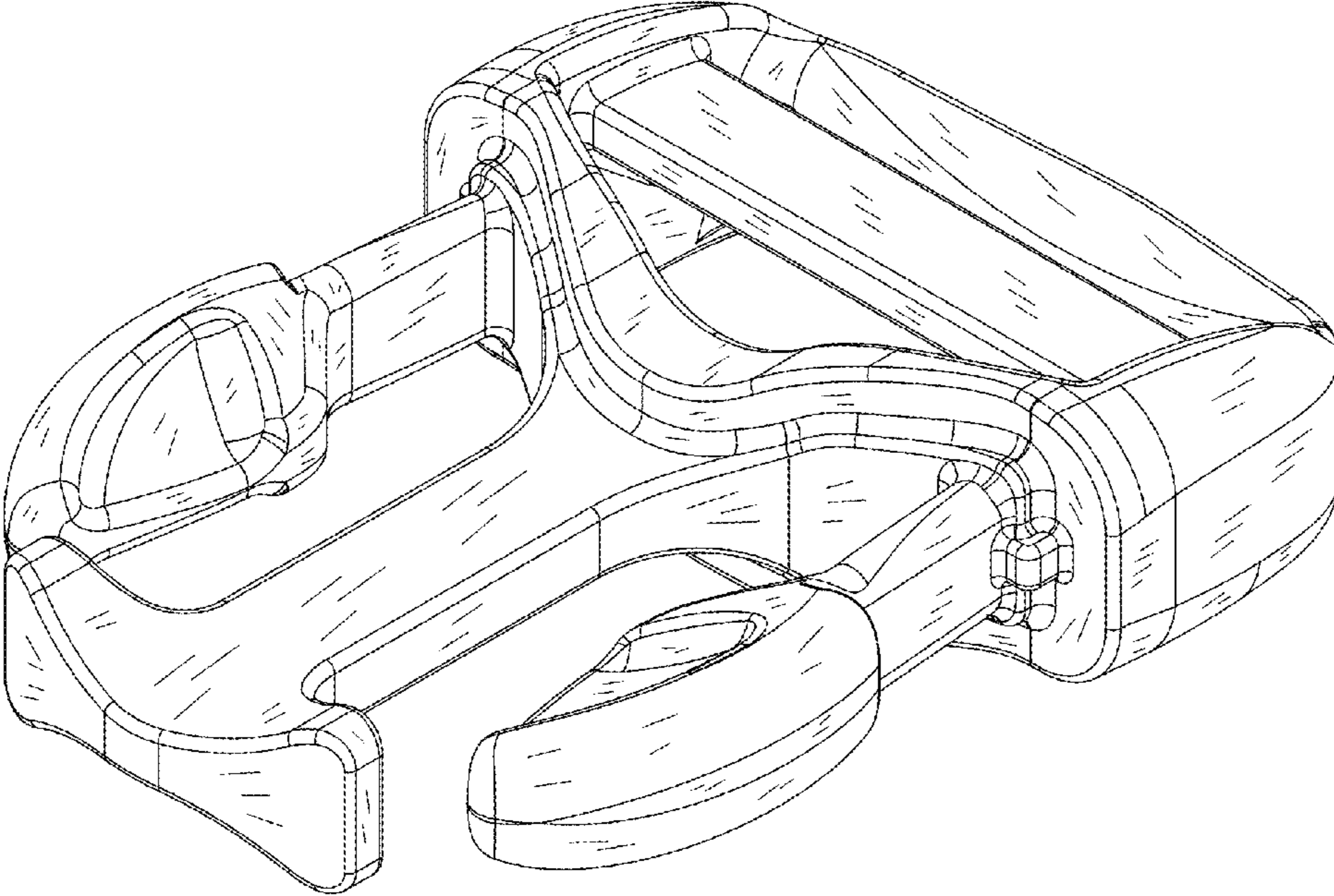


FIG. 1

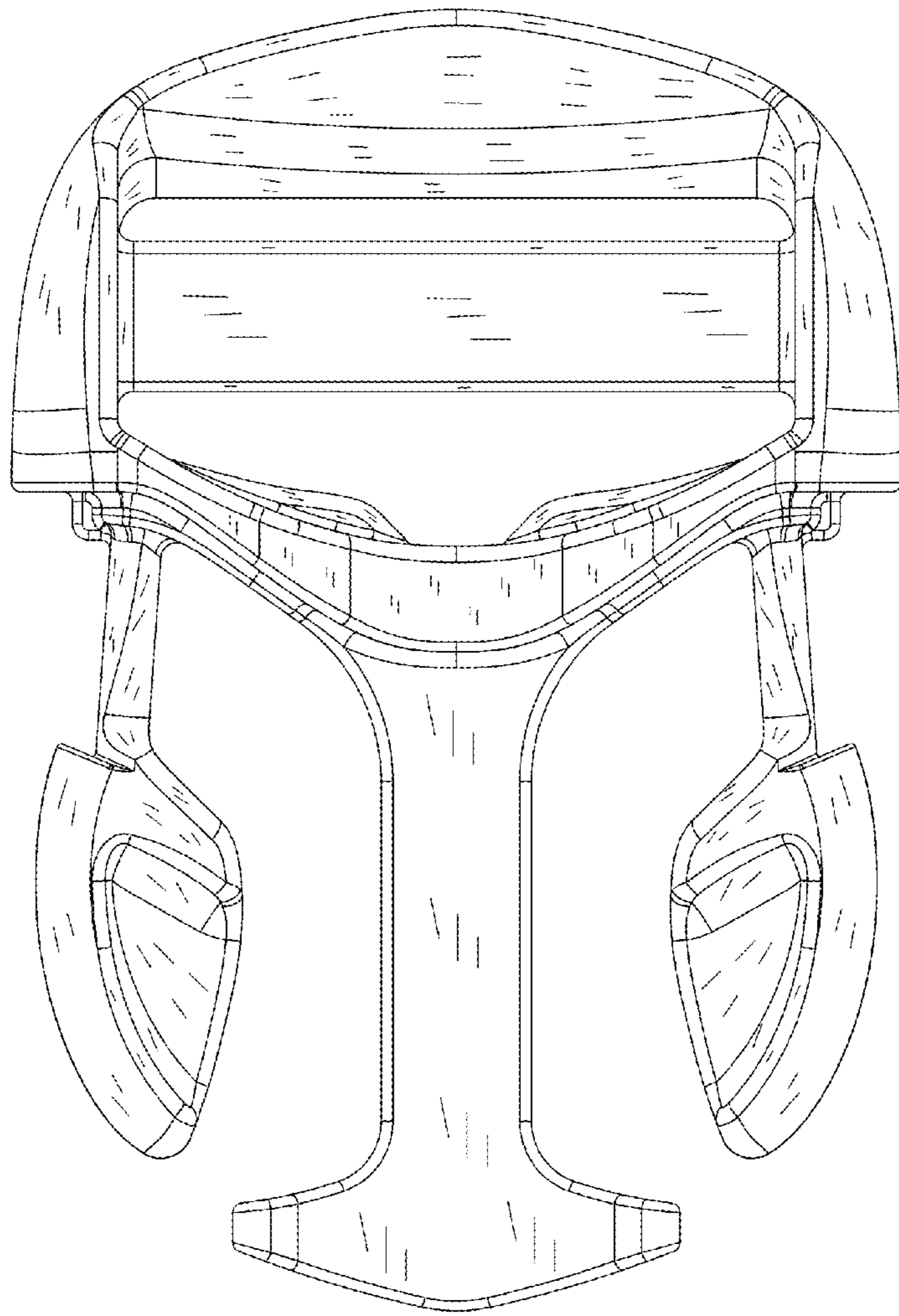


FIG. 2

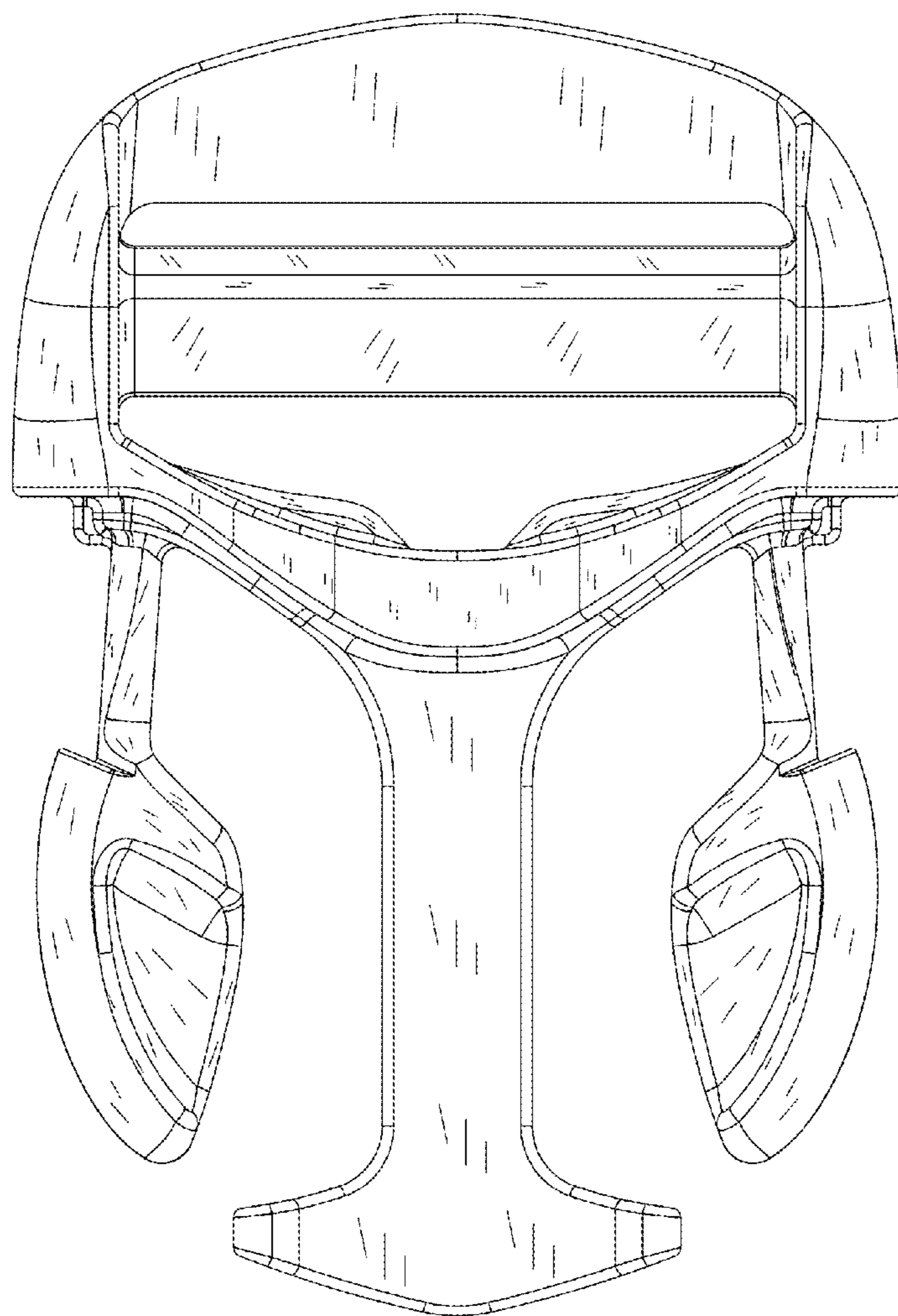


FIG. 3

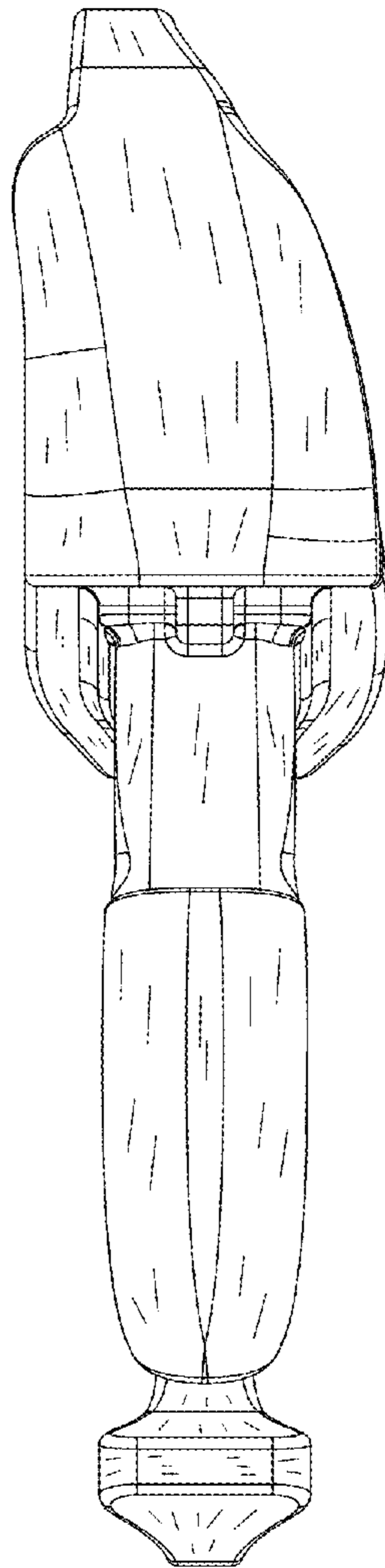


FIG. 4

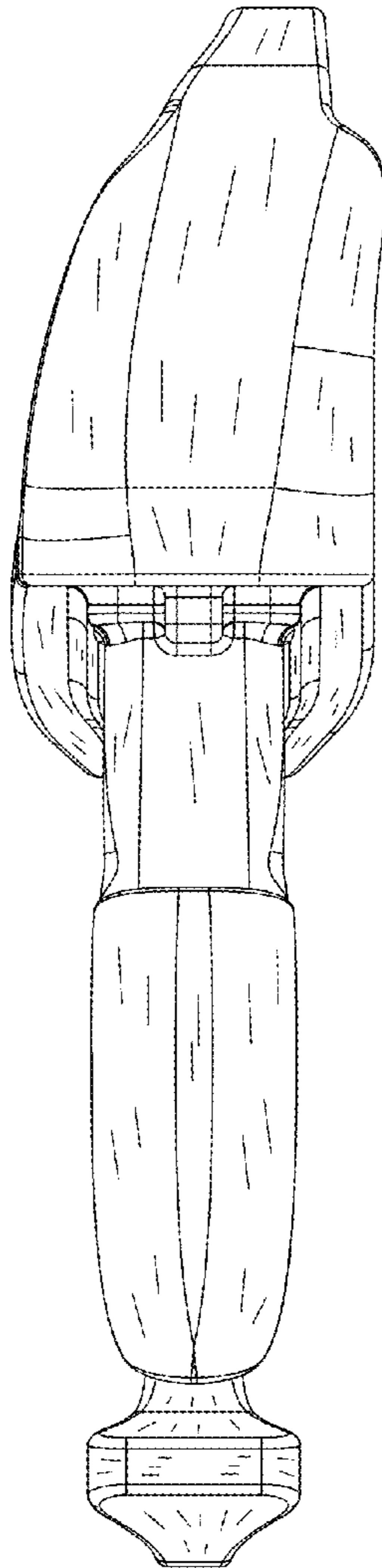


FIG. 5

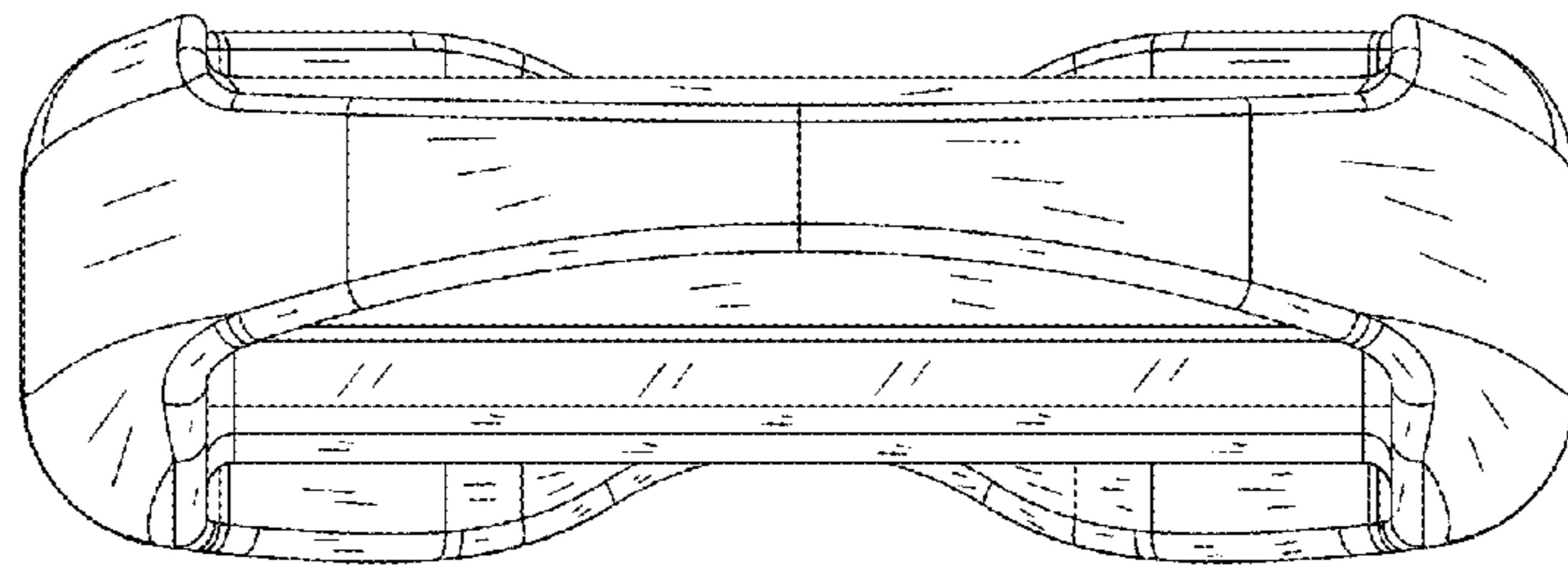


FIG. 6

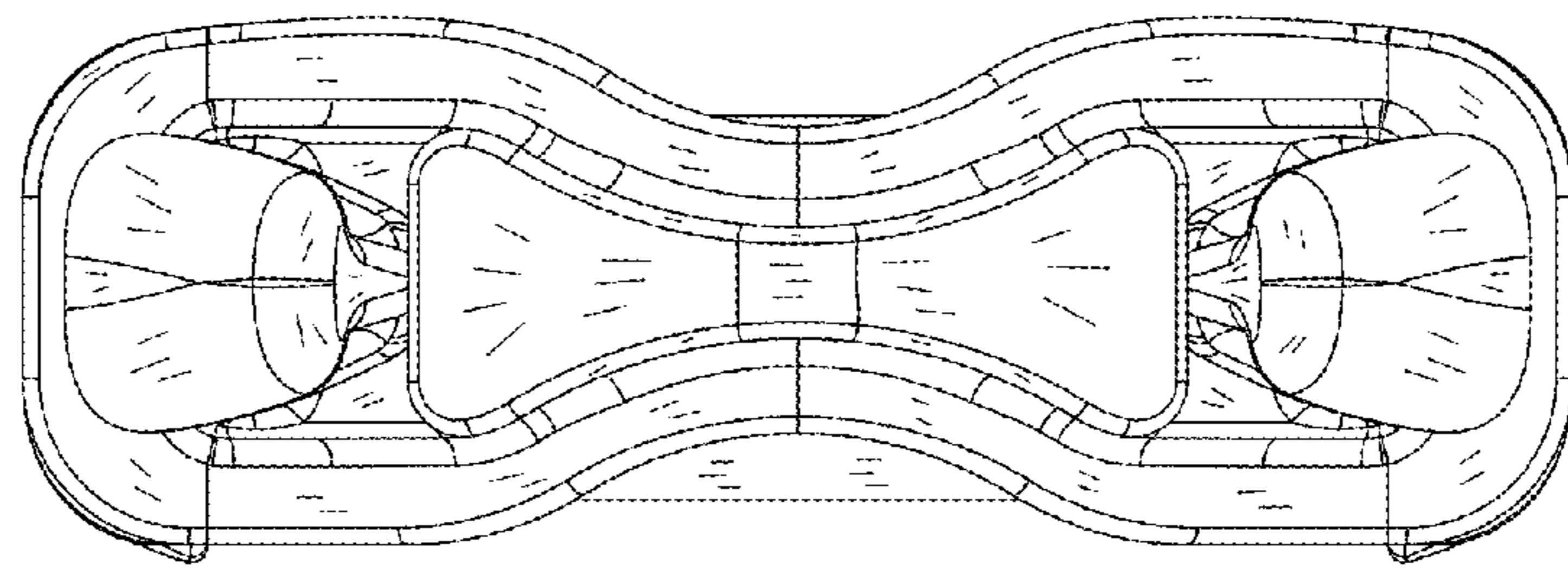


FIG. 7

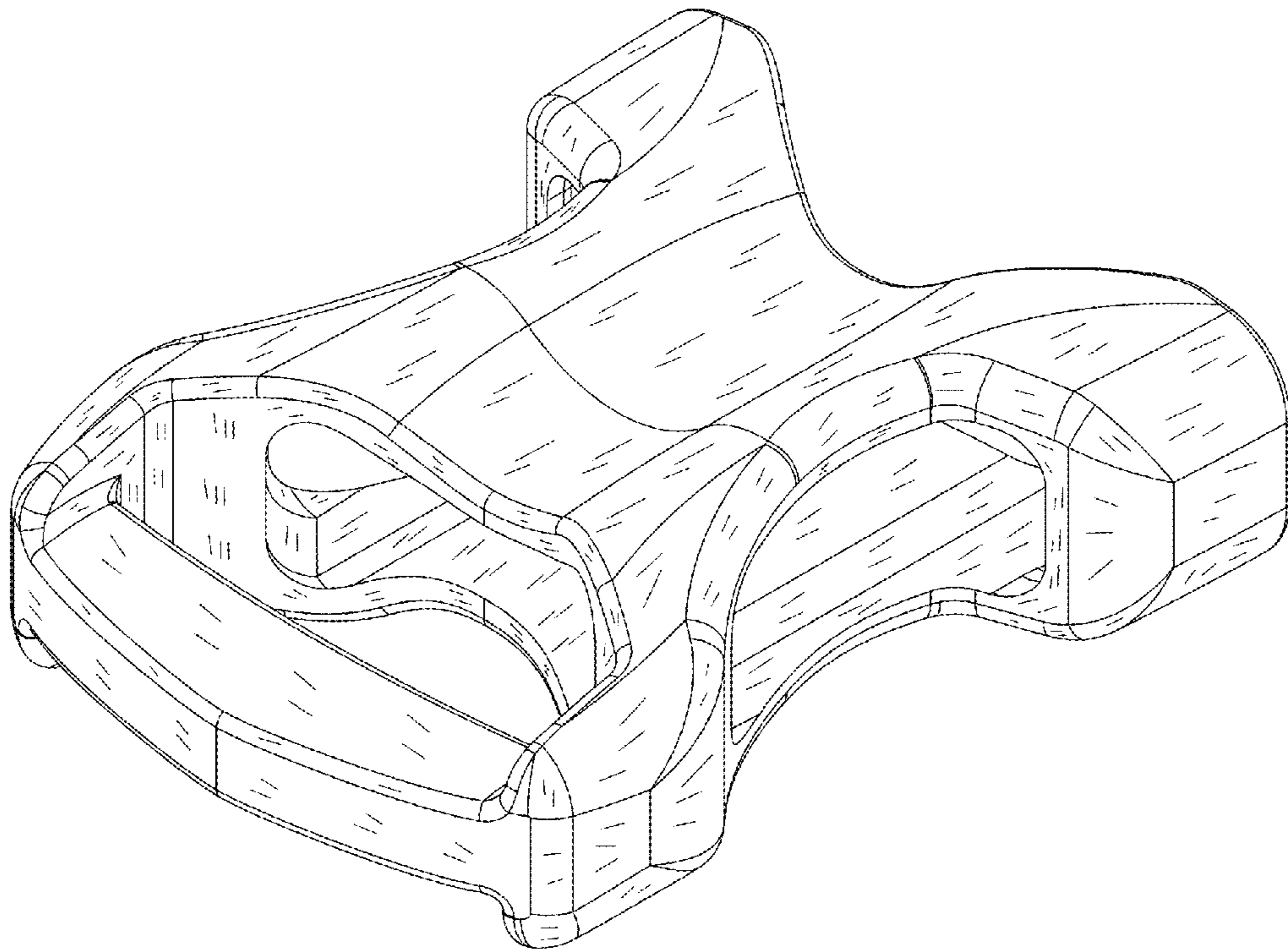


FIG. 8

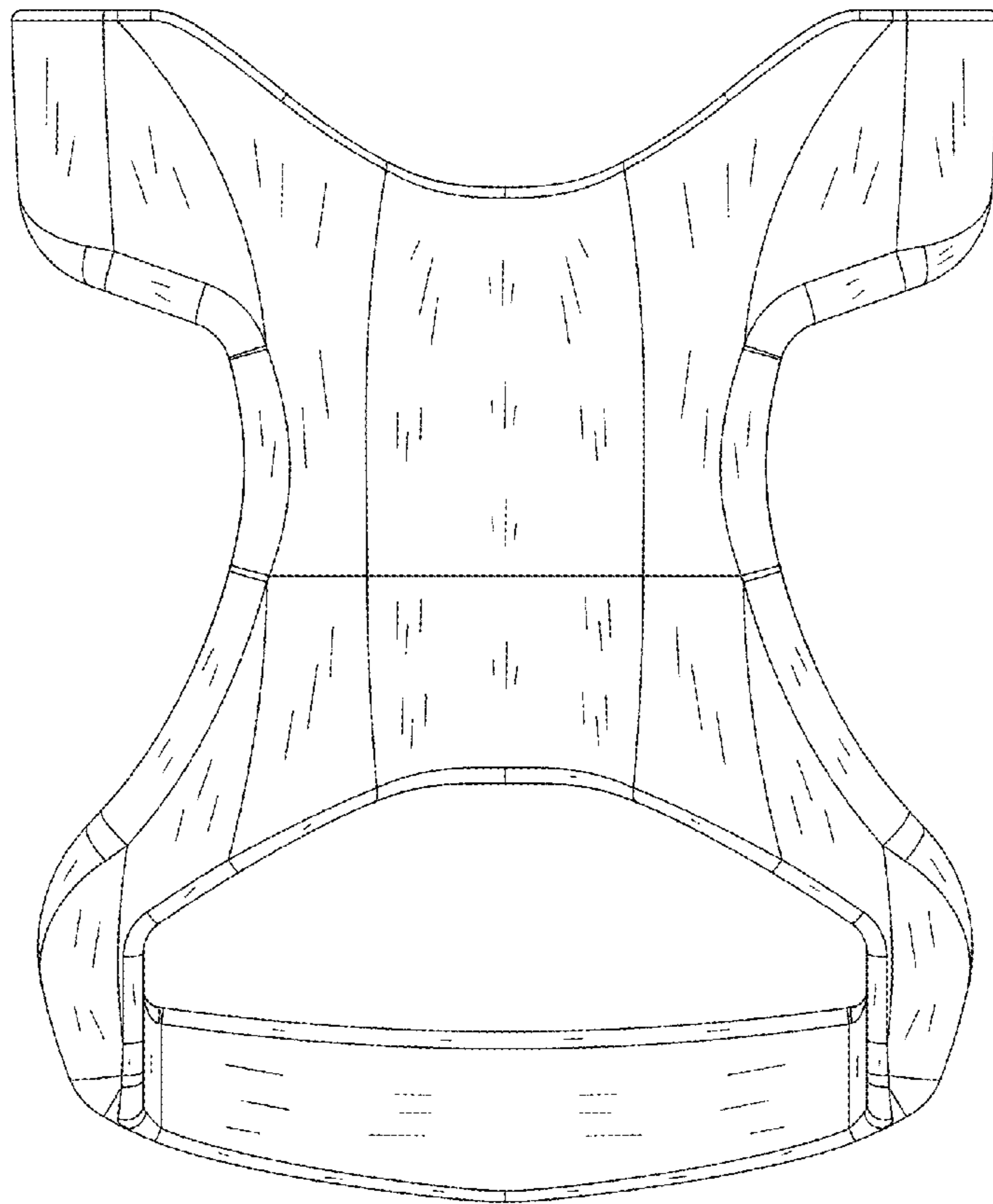


FIG. 9

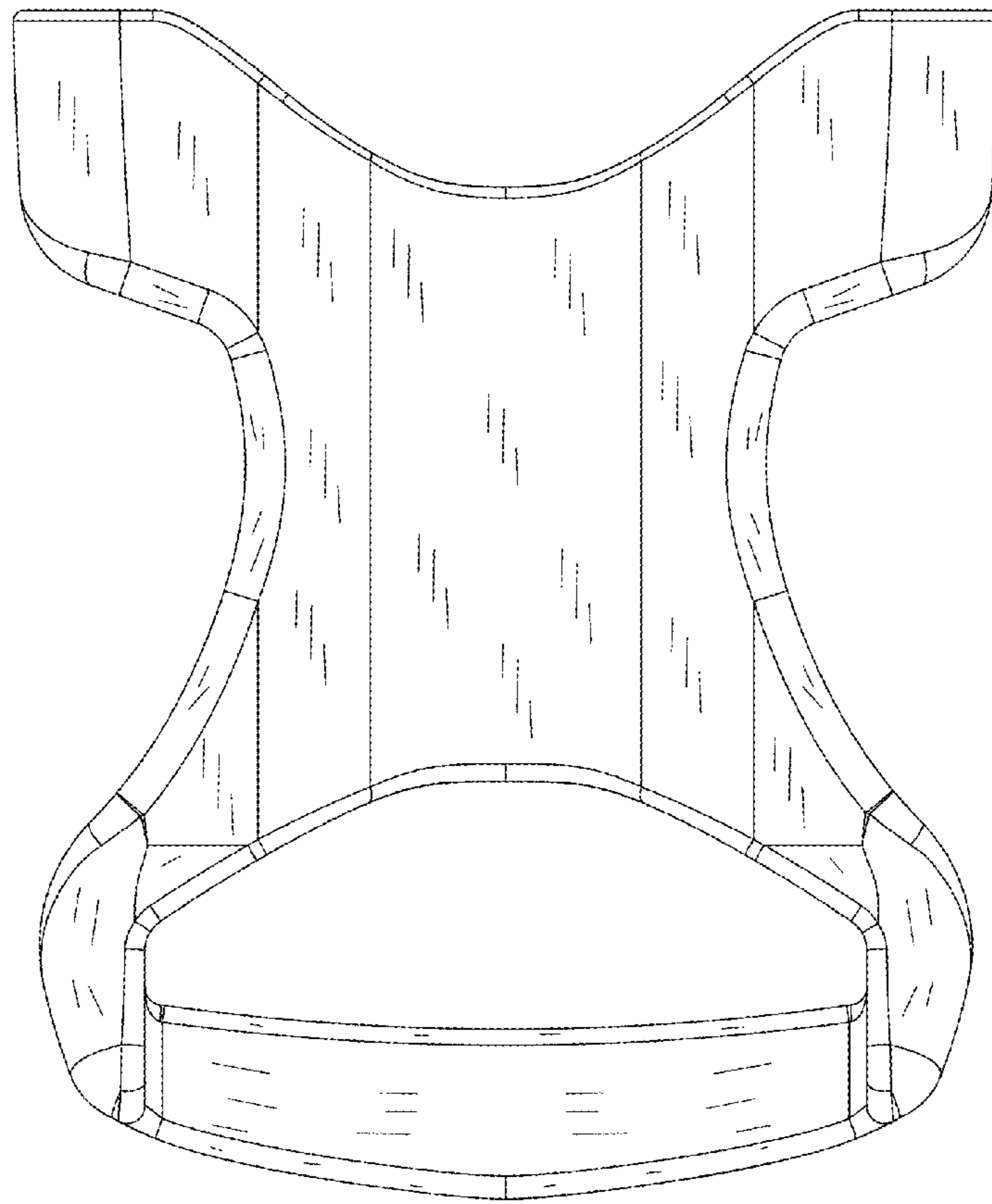


FIG. 10

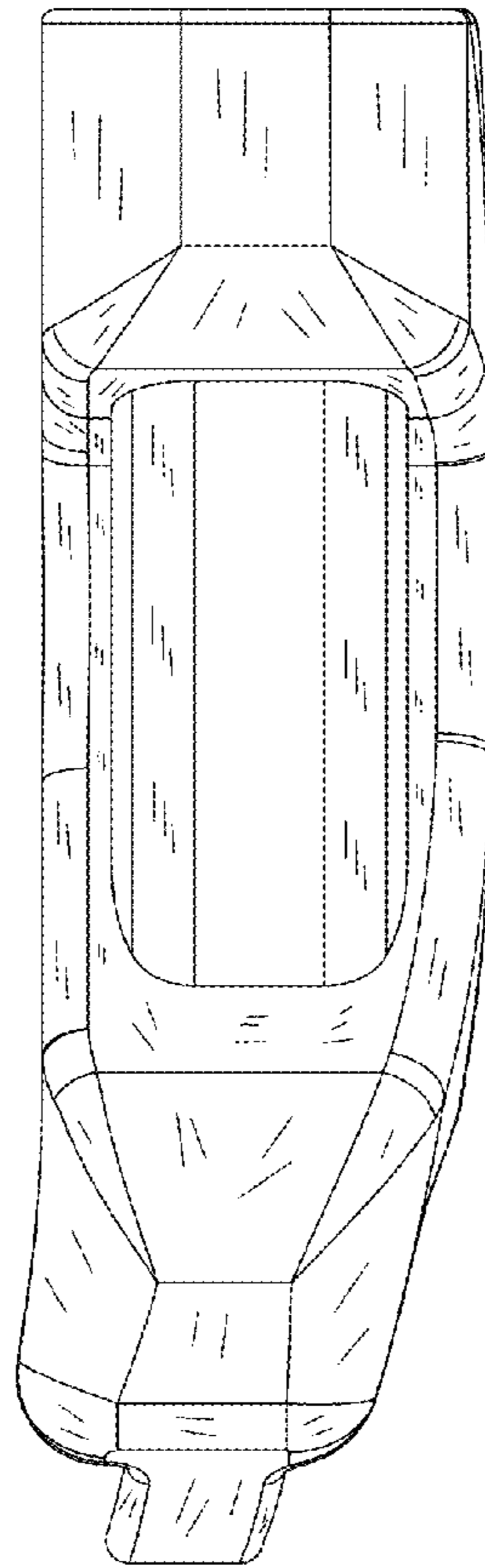


FIG. 11

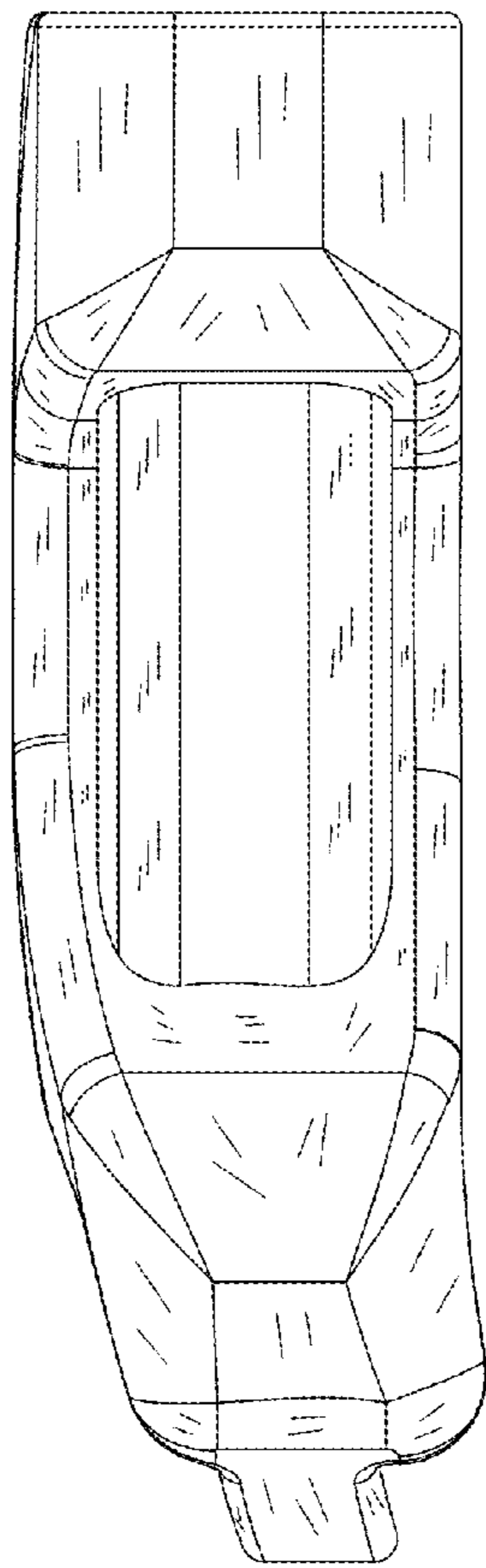


FIG. 12

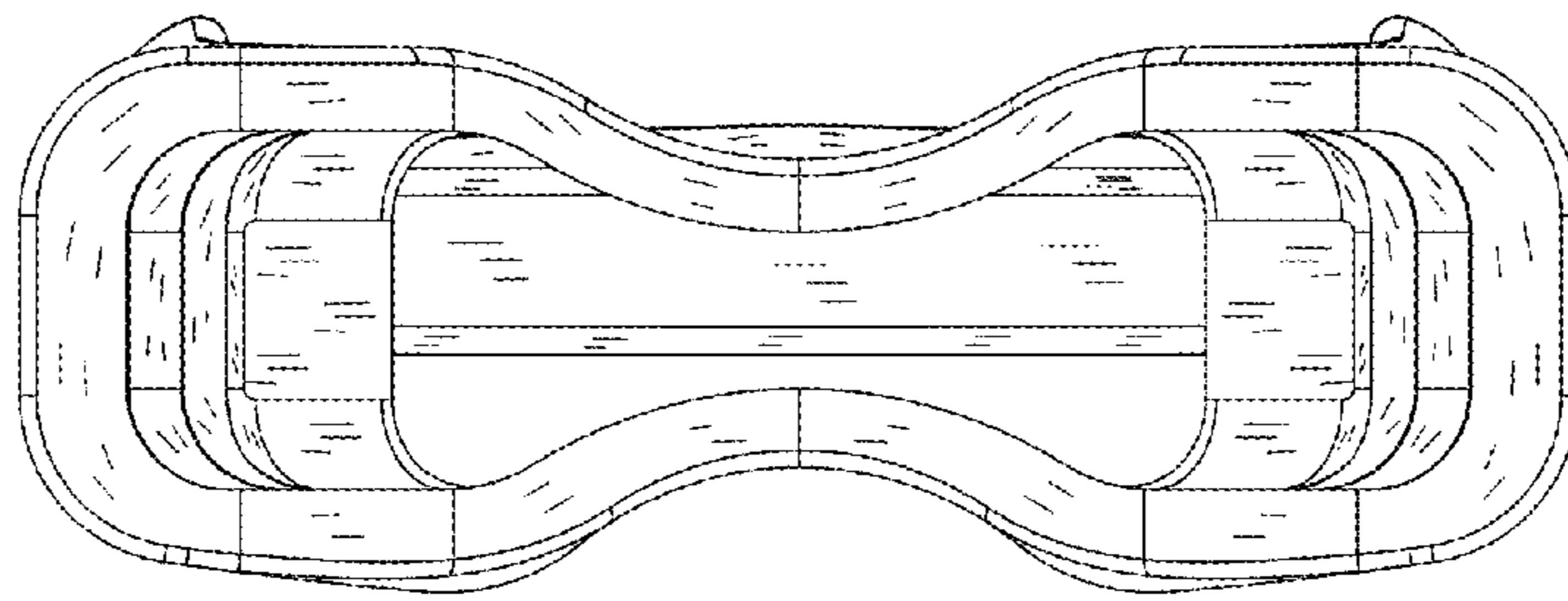


FIG. 13

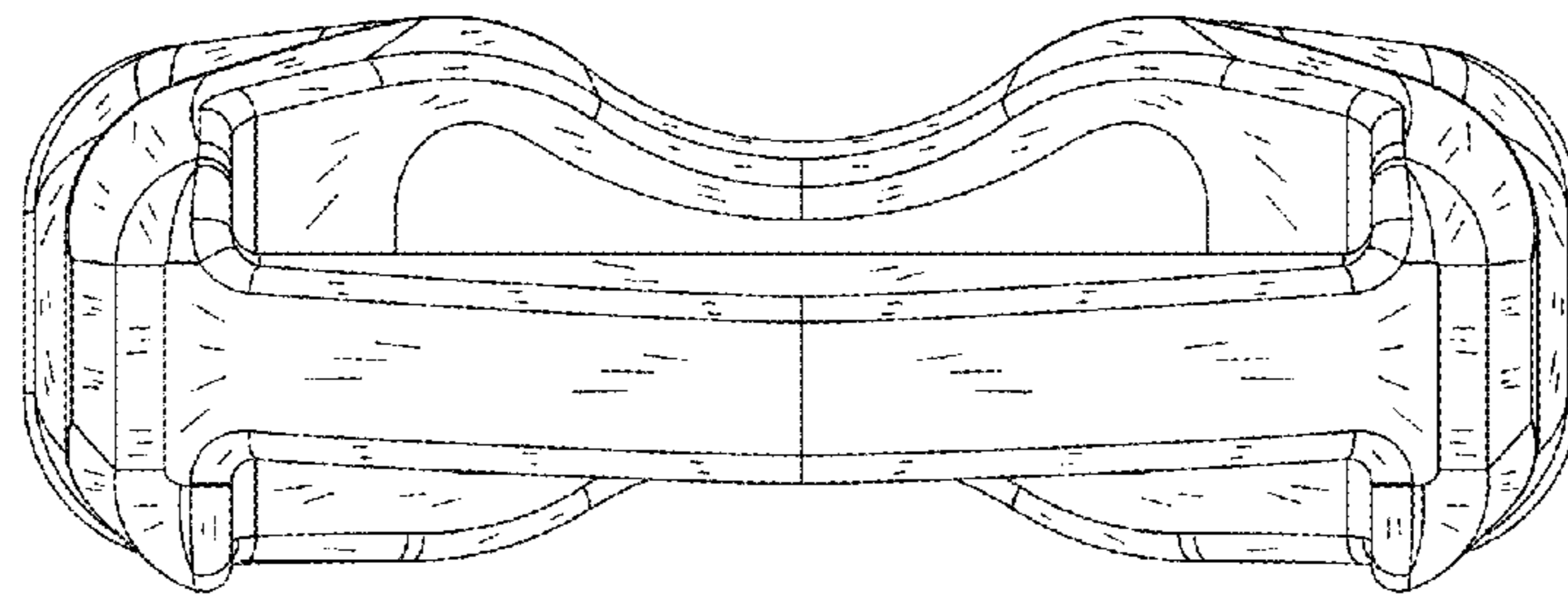


FIG. 14

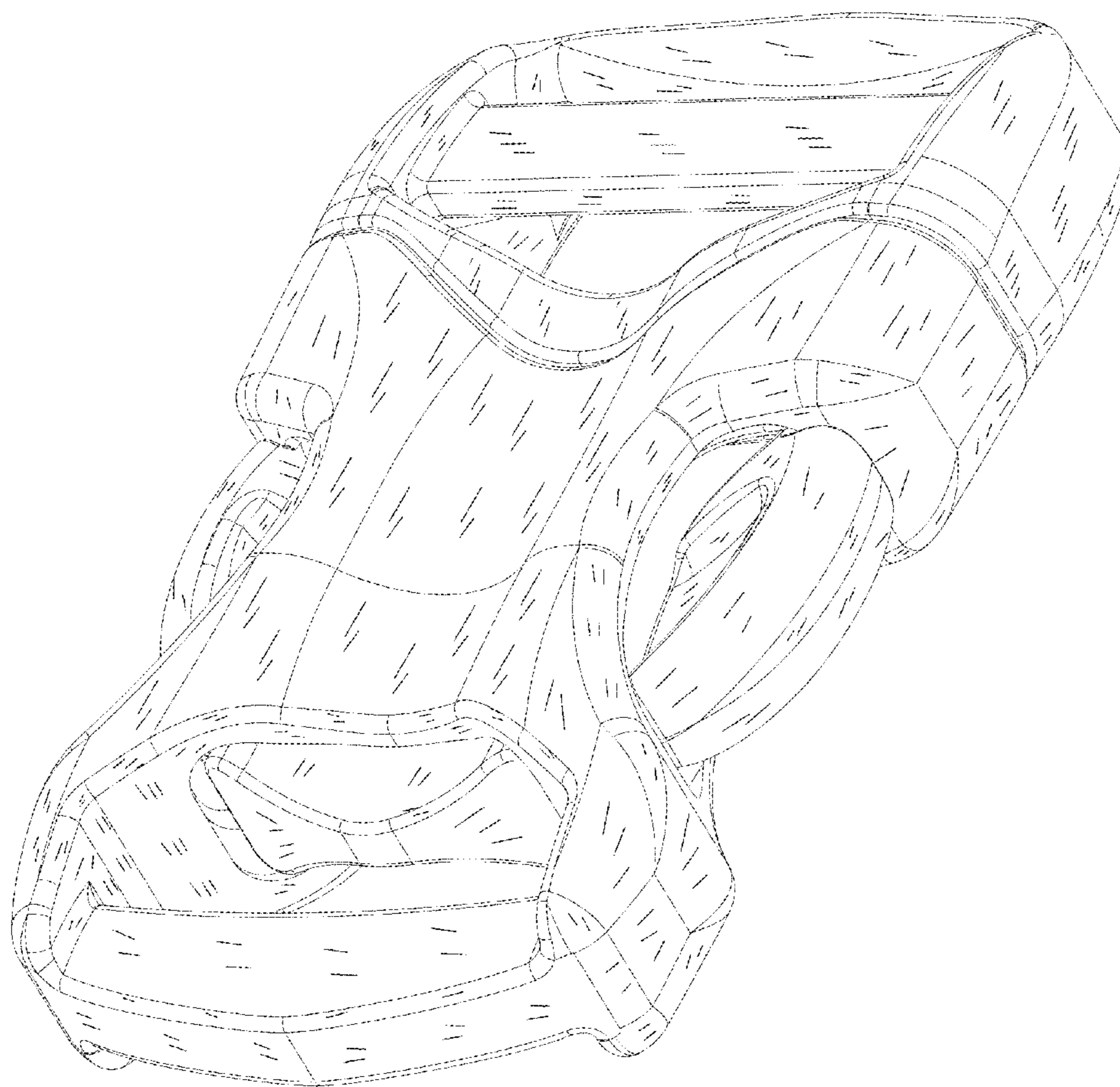


FIG. 15

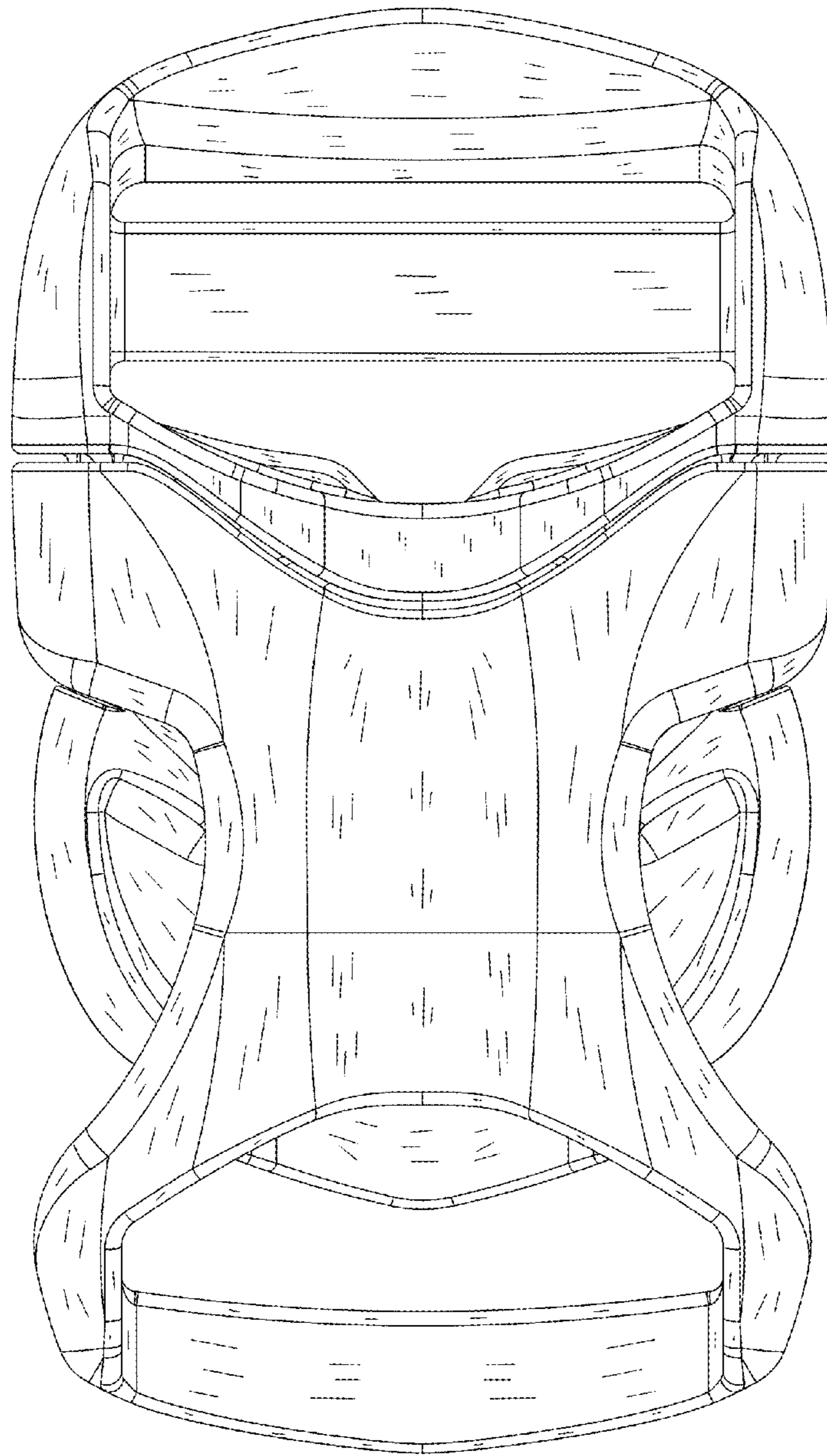


FIG. 16

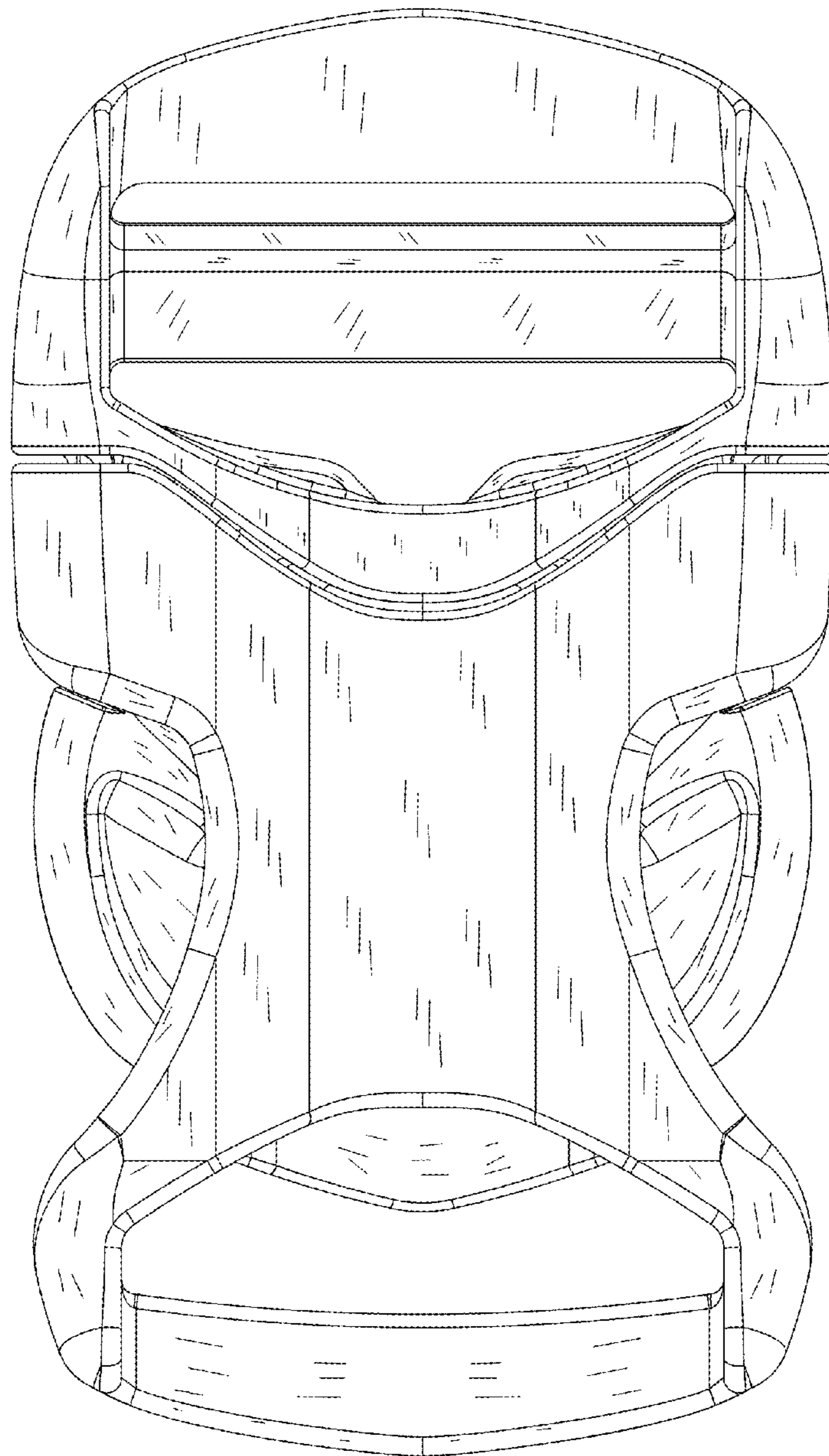


FIG. 17

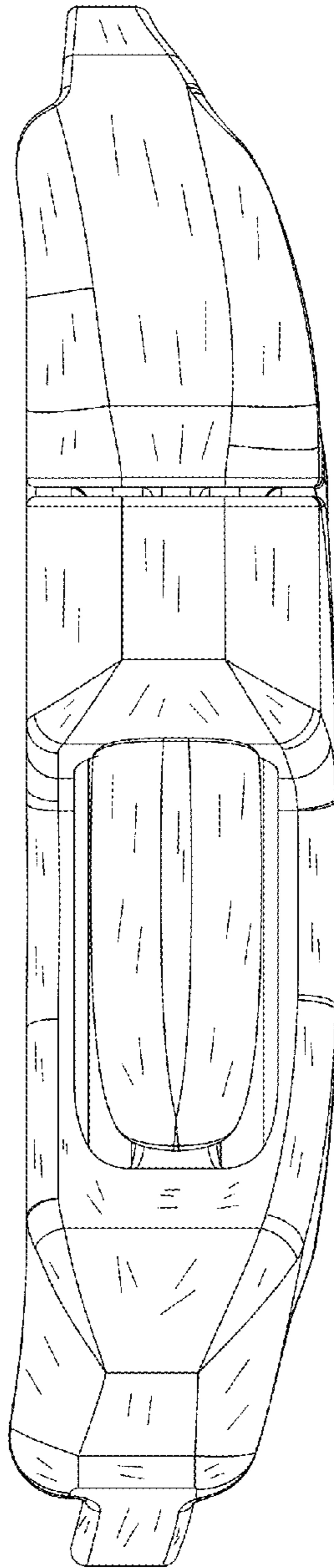


FIG. 18

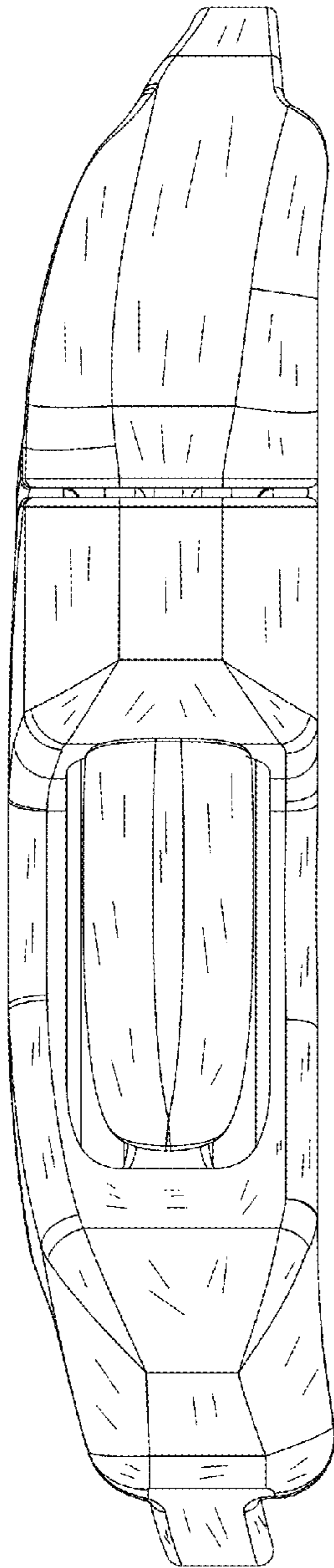


FIG. 19

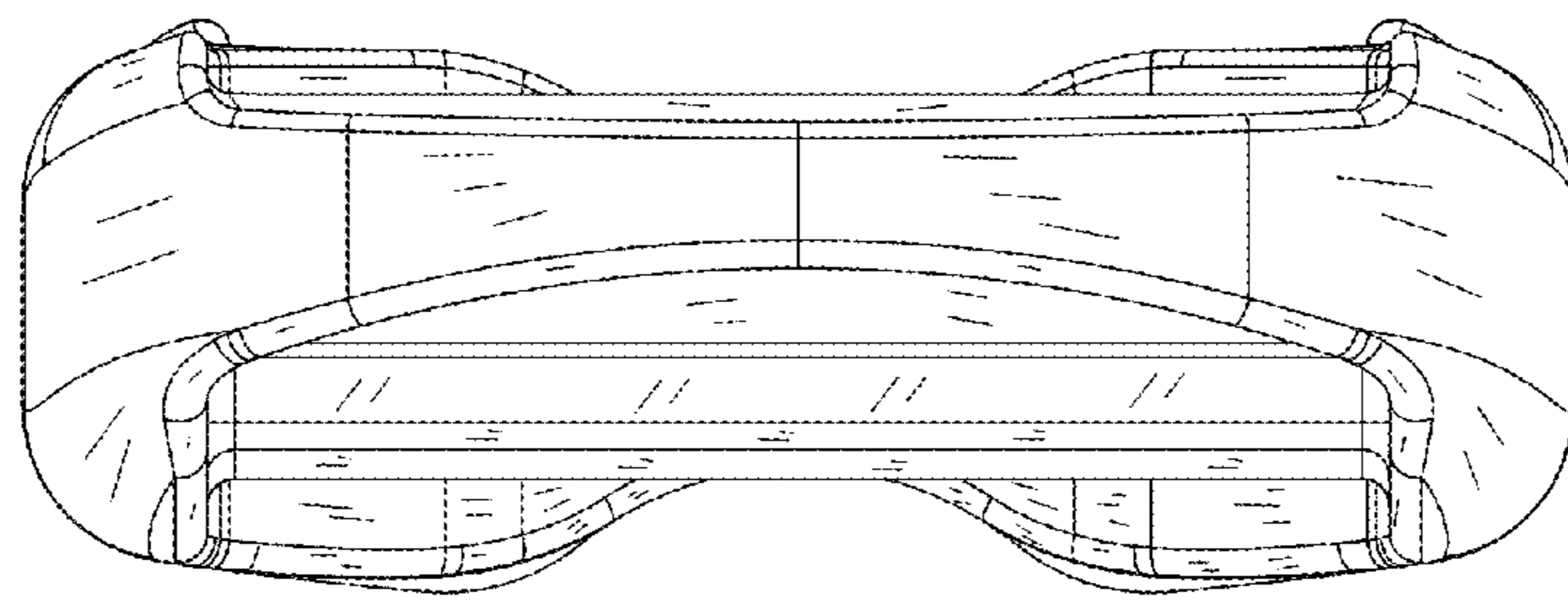


FIG. 20

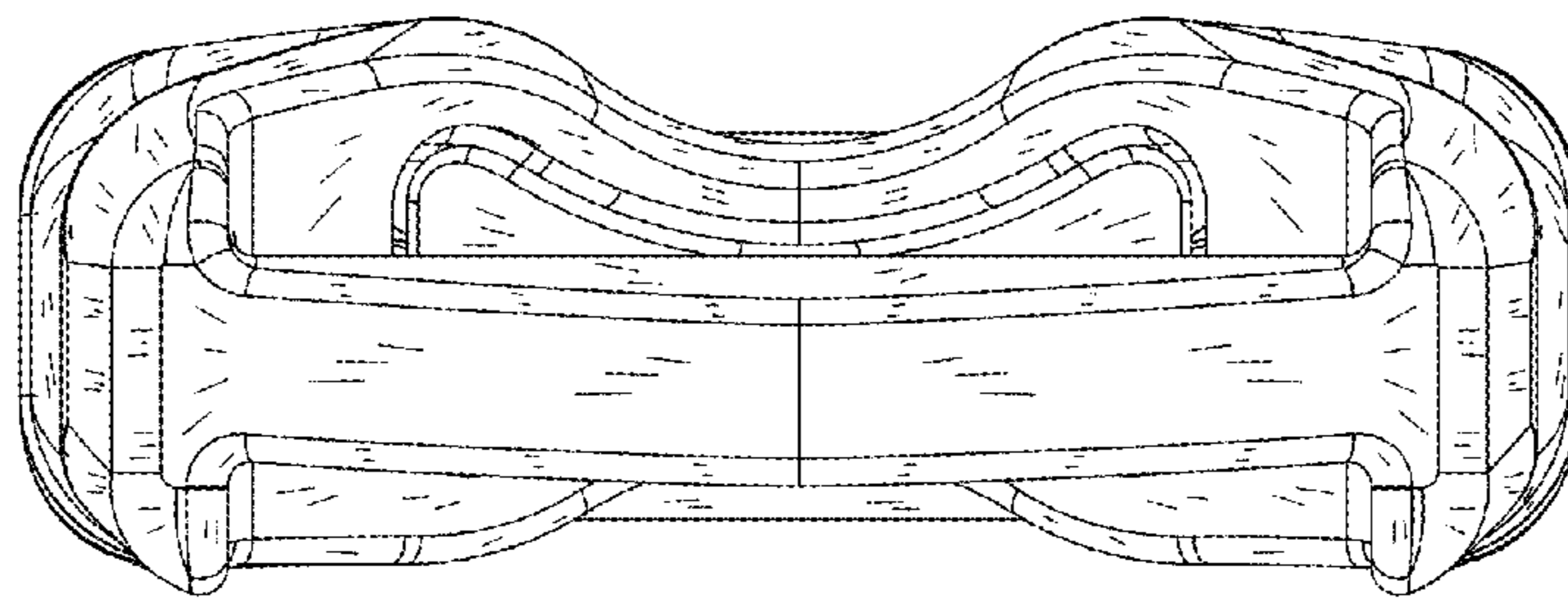


FIG. 21