



US00D668177S

(12) **United States Design Patent**
Friesen et al.

(10) **Patent No.:** **US D668,177 S**
(45) **Date of Patent:** **** Oct. 2, 2012**

(54) **WATER WICK POT**

(75) Inventors: **John Friesen**, Leamington (CA); **Jacob Friesen**, Leamington (CA)

(73) Assignee: **Tug Weld Manufacturing**, Leamington, Ontario (CA)

(**) Term: **14 Years**

(21) Appl. No.: **29/389,384**

(22) Filed: **Apr. 11, 2011**

(51) **LOC (9) Cl.** **11-02**

(52) **U.S. Cl.** **D11/152**

(58) **Field of Classification Search** D6/403-405,
D6/556-558; D8/1; D11/143-156, 164;
D19/77, 80, 81; D25/100; D26/9-11, 16;
D34/1, 2, 4-6; D99/5, 19; 47/32.4, 32.5,
47/32.7, 33, 41.01, 41.1, 41.11-41.15, 44-47,
47/65, 65.5, 65.9, 66.1, 66.2, 66.6, 66.7,
47/67-71

See application file for complete search history.

(56) **References Cited**

U.S. PATENT DOCUMENTS

D279,175 S * 6/1985 Eklof D11/164
D345,716 S * 4/1994 Kwiatkowski D11/152
D382,511 S * 8/1997 Azarian D11/143

D445,358 S * 7/2001 Simmons D11/152
D531,930 S * 11/2006 Cabre Roige D11/152
D572,168 S * 7/2008 Kurtz D11/152
D598,224 S * 8/2009 Zanini D6/510
D611,384 S * 3/2010 Biegel D11/152
D631,578 S * 1/2011 Barrett et al. D26/9
D635,486 S * 4/2011 Bodum D11/152

* cited by examiner

Primary Examiner — Garth Rademaker

(74) *Attorney, Agent, or Firm* — Carlson, Gaskey & Olds, P.C.

(57) **CLAIM**

We claim the ornamental design for a water wick pot, as shown and described.

DESCRIPTION

FIG. 1 is a perspective view of a water wick pot, shown in an environment of use.

FIG. 2 is a perspective view of the water wick pot.

FIG. 3 is a front view of the water wick pot.

FIG. 4 is a top view of the water wick pot.

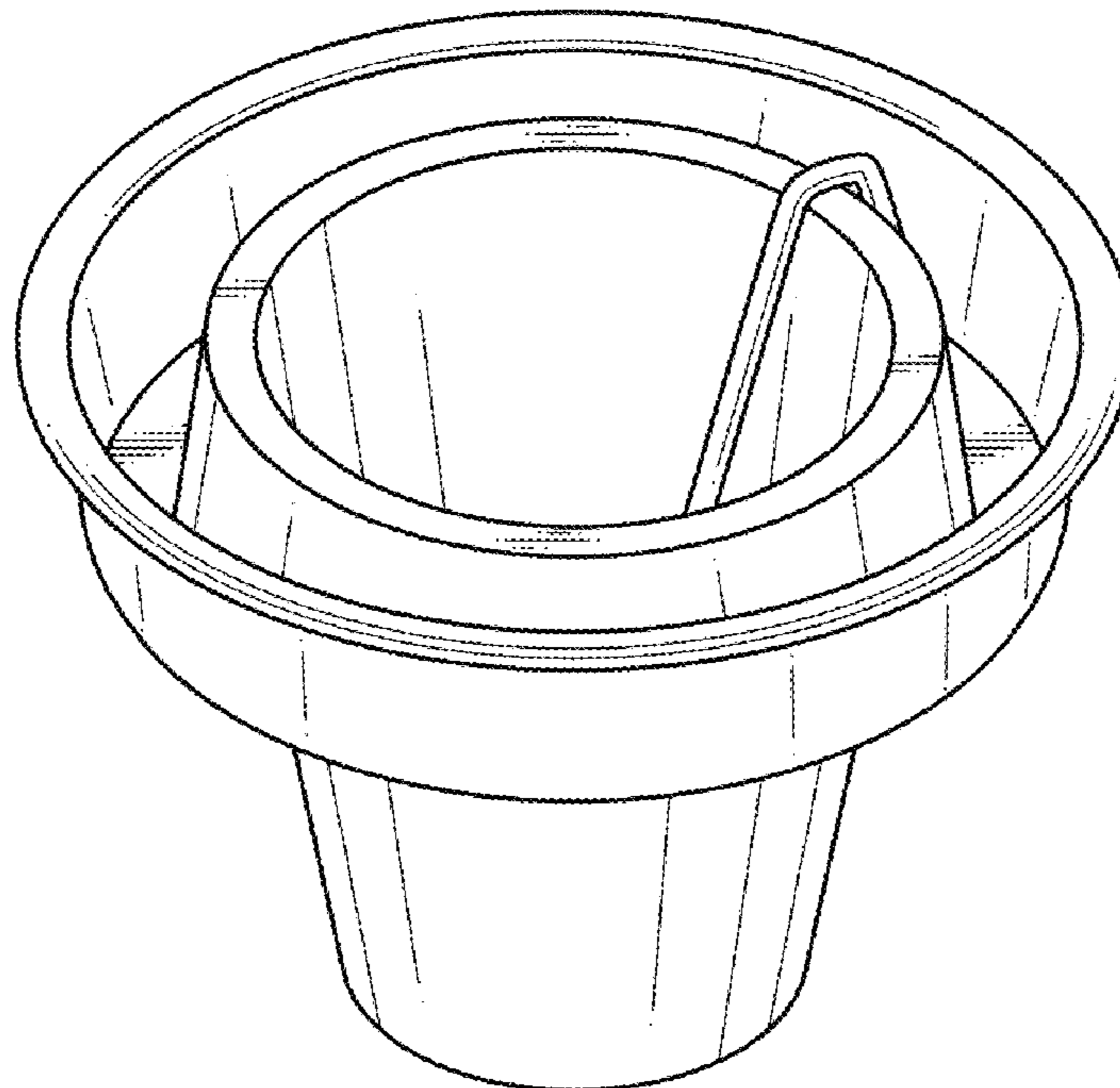
FIG. 5 is a side view of the water wick pot.

FIG. 6 is an opposite side view of the water wick pot; and,

FIG. 7 is a bottom view of the water wick pot.

The broken lines showing the environment of FIG. 1 are for illustrative purposes only and form no part of the claimed design.

1 Claim, 2 Drawing Sheets



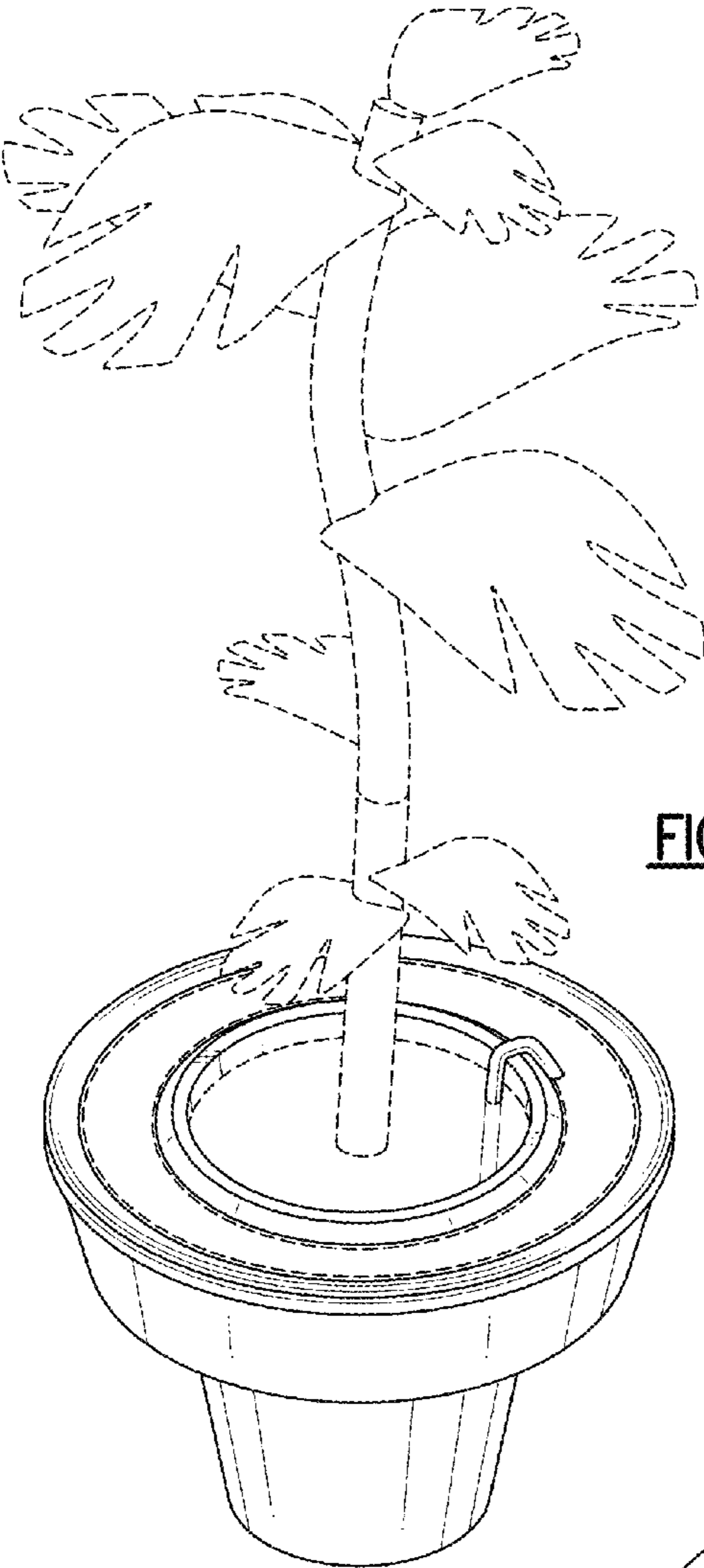


FIG.1

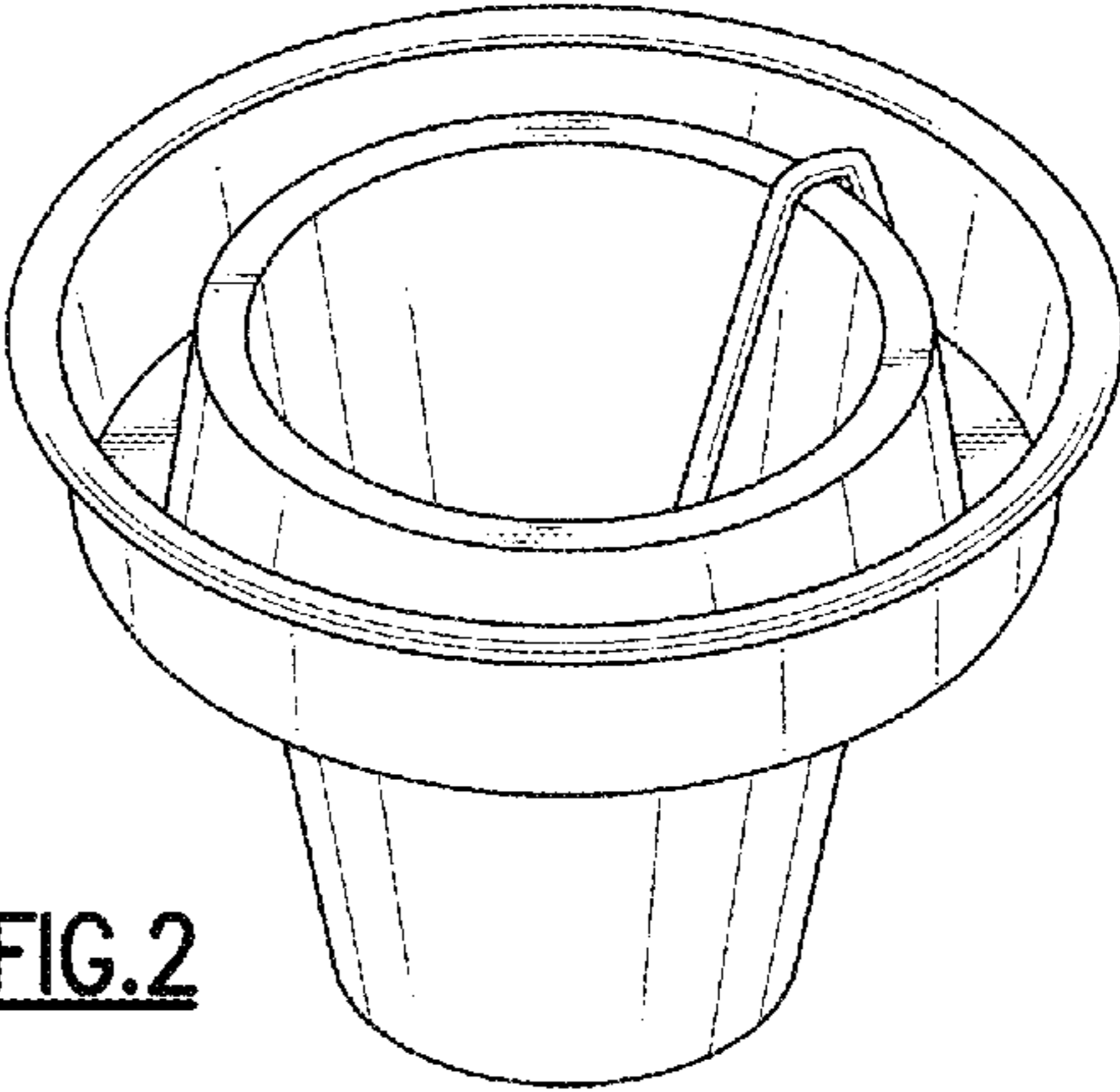


FIG.2

FIG.4

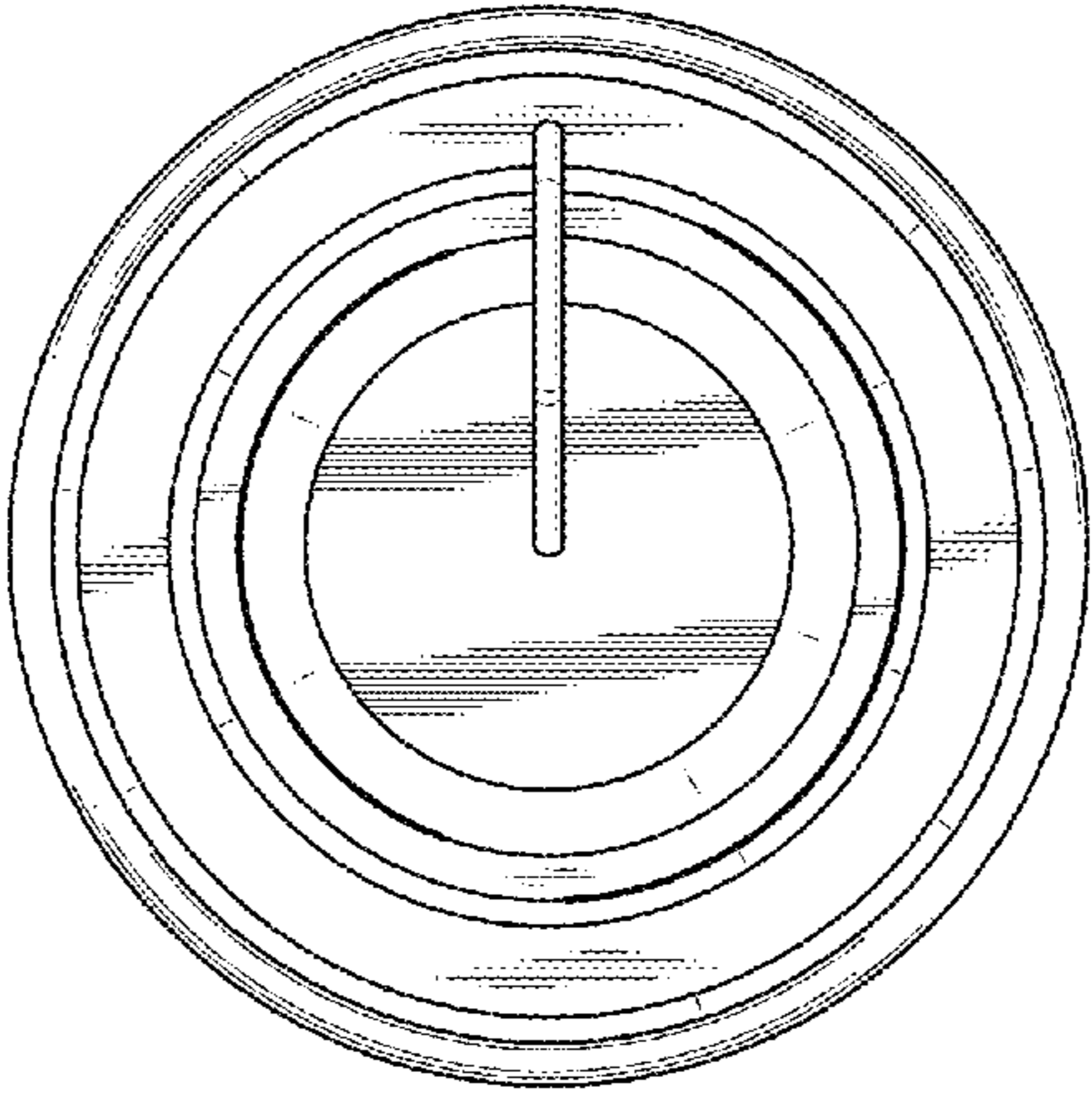


FIG.3

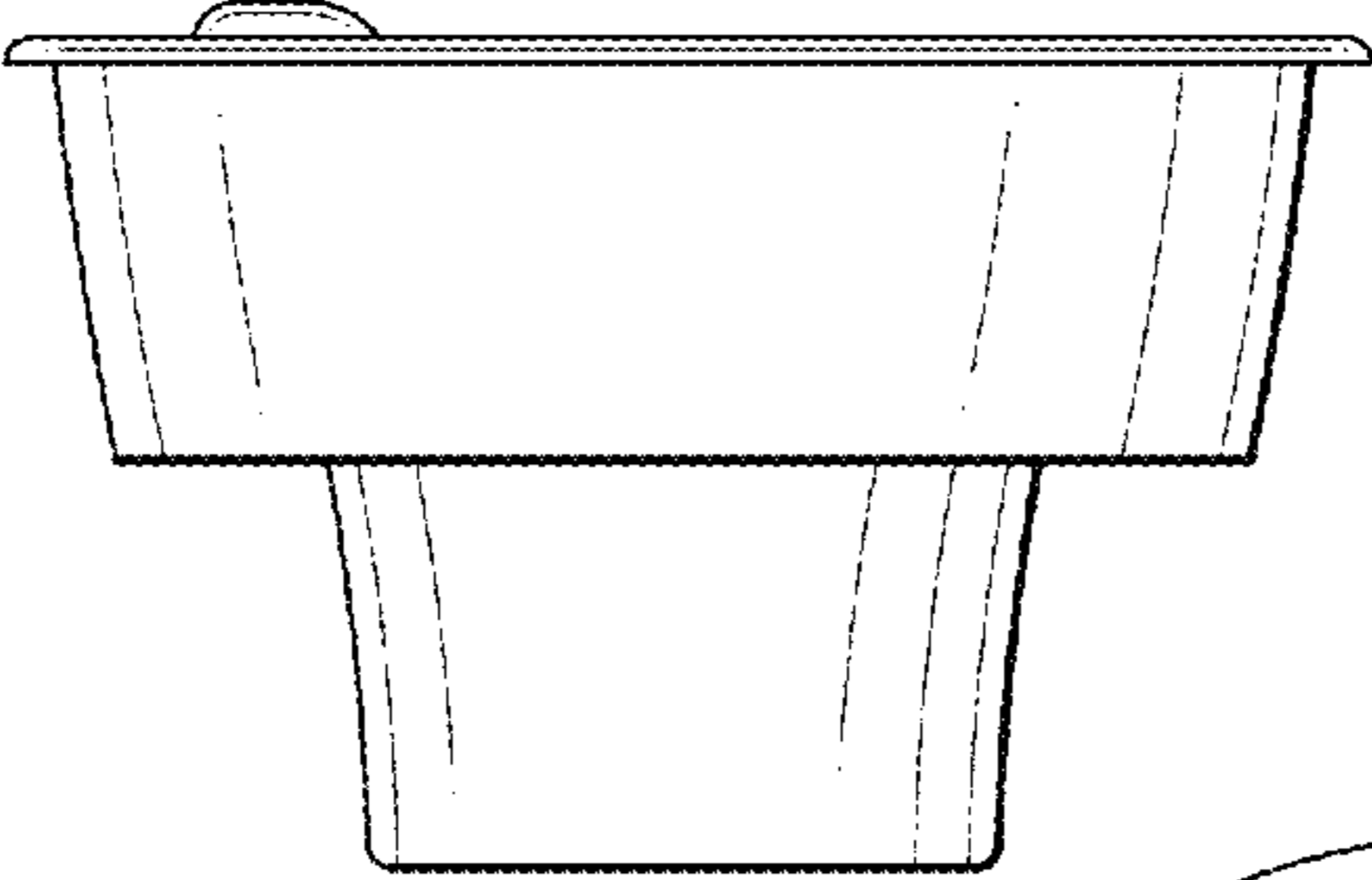
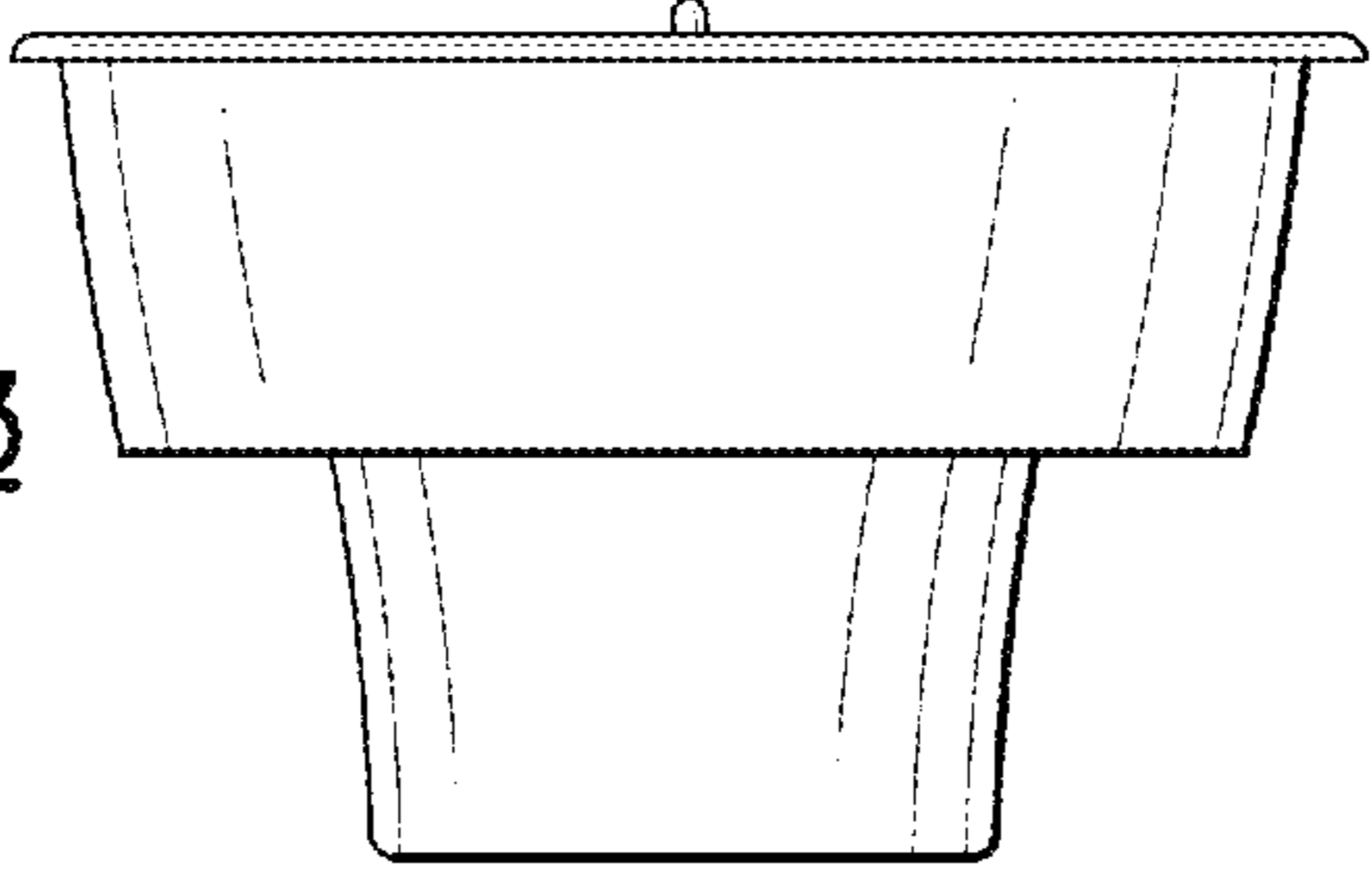


FIG.5

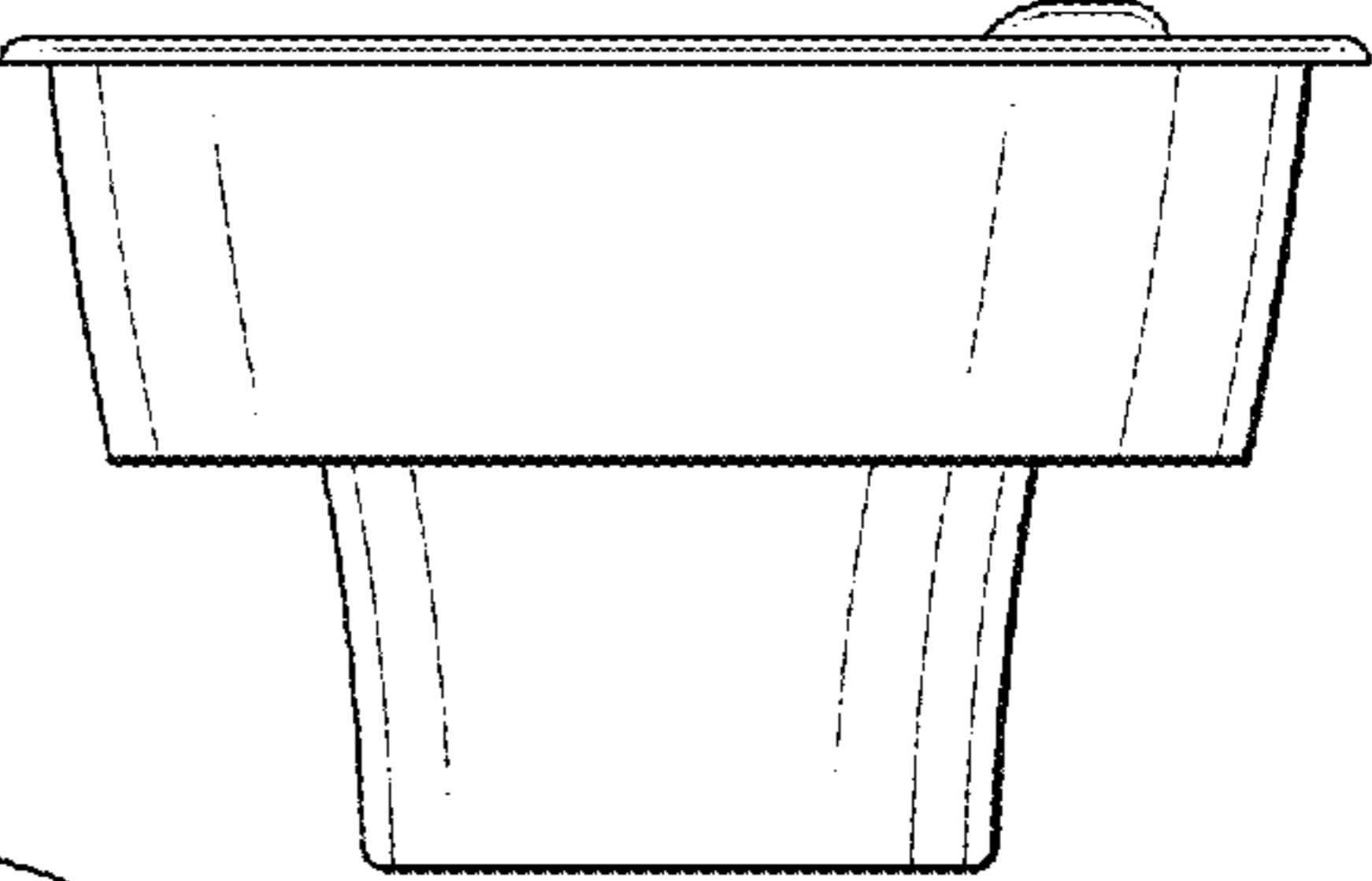


FIG.6

FIG.7

