

US00D668176S

(12) **United States Design Patent**
Kreuzer et al.

(10) **Patent No.:** **US D668,176 S**
(45) **Date of Patent:** **** Oct. 2, 2012**

(54) **ORNAMENT**

(75) Inventors: **Jared P. Kreuzer**, Minneapolis, MN
(US); **Cameron J. Porter**, Minneapolis,
MN (US)

(73) Assignee: **Target Brands, Inc.**, Minneapolis, MN
(US)

(**) Term: **14 Years**

(21) Appl. No.: **29/422,735**

(22) Filed: **May 23, 2012**

(51) **LOC (9) Cl.** **11-05**

(52) **U.S. Cl.** **D11/125**

(58) **Field of Classification Search** D11/1,
D11/3, 7, 8, 11, 13, 14, 40, 43, 44, 47, 48,
D11/61, 79, 116, 117, 121, 125, 130, 131,
D11/132, 133, 157; 428/7, 8, 9, 12; 63/13,
63/3, 4, 5.1, 20, 23; D18/24, 26, 27, 28-32;
D26/1, 2, 4, 24, 25, 26; 362/570, 571, 565,
362/568, 103, 104, 249.06, 249.16, 806,
362/810

See application file for complete search history.

(56) **References Cited**

U.S. PATENT DOCUMENTS

D97,840	S	*	12/1935	Chernow	D18/24
D102,597	S	*	12/1936	Vollman	D11/81
2,095,648	A		10/1937	Oftedahl		
D199,778	S	*	12/1964	Mei	D18/24
3,254,436	A	*	6/1966	Bank	40/552
3,675,355	A	*	7/1972	Shanok et al.	40/596
D264,570	S	*	5/1982	Vandoni	D11/61
4,912,609	A		3/1990	Gillette		
D327,030	S	*	6/1992	Young	D11/61
5,454,181	A		10/1995	Rothman et al.		
D366,225	S	*	1/1996	Riegle	D11/81
5,813,747	A		9/1998	Kale		
D429,351	S		8/2000	Grether		
D433,770	S		11/2000	Rotstein		
D439,991	S	*	4/2001	Wong	D26/25
6,226,908	B1		5/2001	Byers		
D455,976	S	*	4/2002	Holland	D11/61

D457,666	S	*	5/2002	Sehl	D26/25
D458,699	S	*	6/2002	Gilbert	D26/25
6,543,905	B1		4/2003	Adams et al.		
D484,067	S	*	12/2003	Wright	D11/79
6,846,097	B1		1/2005	Strawn		
D506,156	S	*	6/2005	Bernsen	D11/3
6,971,758	B2	*	12/2005	Inui et al.	362/602
D556,080	S	*	11/2007	Day	D11/86
D598,320	S	*	8/2009	Shatley	D11/120
7,685,754	B1	*	3/2010	Torres	40/606.14
D622,776	S	*	8/2010	Pryor	D20/29
D622,777	S	*	8/2010	Pryor	D20/29
2003/0043579	A1		3/2003	Rong et al.		
2003/0079387	A1		5/2003	Derose		
2004/0255497	A1	*	12/2004	Venkataraman et al.	40/551

(Continued)

OTHER PUBLICATIONS

Alphabet String Lights, <http://www.giftideas.co.uk/alphabet-string-lights-2.html>, at least as early as Oct. 10, 2011.

(Continued)

Primary Examiner — Elizabeth J Oswecki
(74) *Attorney, Agent, or Firm* — Leanne Taveggia Farrell;
Westman, Champlin & Kelly, P.A.

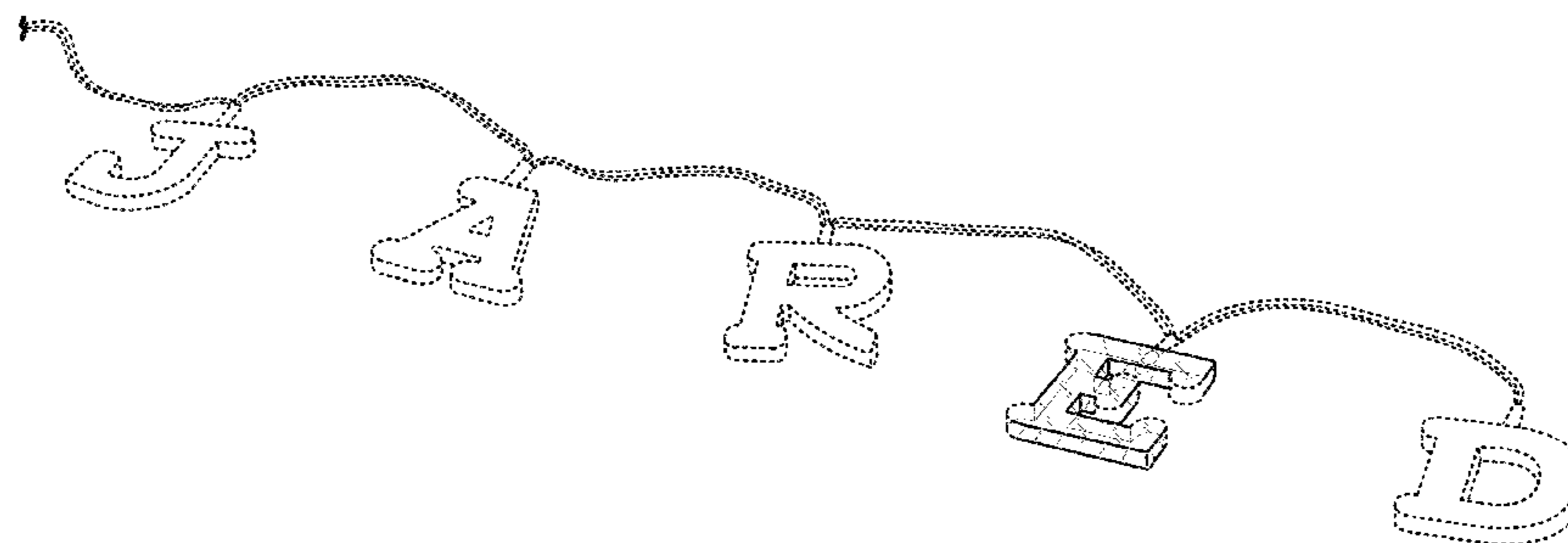
(57) **CLAIM**

The ornamental design for an ornament, as shown and described.

DESCRIPTION

FIG. 1 is a perspective view of an ornament showing our new design in a used condition;
FIG. 2 is a perspective view thereof;
FIG. 3 is a front view thereof;
FIG. 4 is a back view thereof;
FIG. 5 is a right side view thereof;
FIG. 6 is a left side view thereof;
FIG. 7 is a top view thereof; and,
FIG. 8 is a bottom view of thereof.
The broken lines are included for purposes of illustration and form no part of the claimed design.

1 Claim, 6 Drawing Sheets



US D668,176 S

Page 2

U.S. PATENT DOCUMENTS

2006/0203509 A1 9/2006 Simpson
2007/0159821 A1 7/2007 Li et al.
2007/0242455 A1 10/2007 Fair et al.
2009/0268444 A1 10/2009 Fair et al.

OTHER PUBLICATIONS

LED-Link letters LED Signs LED letters with letters and numbers,
http://www.china-telecommunications.com/products/led_link_

letters_led_signs_led_letters_with_letters_and_numbers-
mpz57c46ea-z57e298f.html, at least as early as Oct. 10, 2011.
LED illuminated channel letters, http://www.china-telecommunications.com/products/led_illuminated_channel_letters-pzf0222a-zf4ab4a.html, at least as early as Oct. 10, 2011.
6" Round Ribbed String Light Set—Blue, <https://social-lights.com/products.php?product=6°022-Round-Ribbed-String-Light-Set-%252d-Blue>, at least as early as Oct. 10, 2011.

* cited by examiner

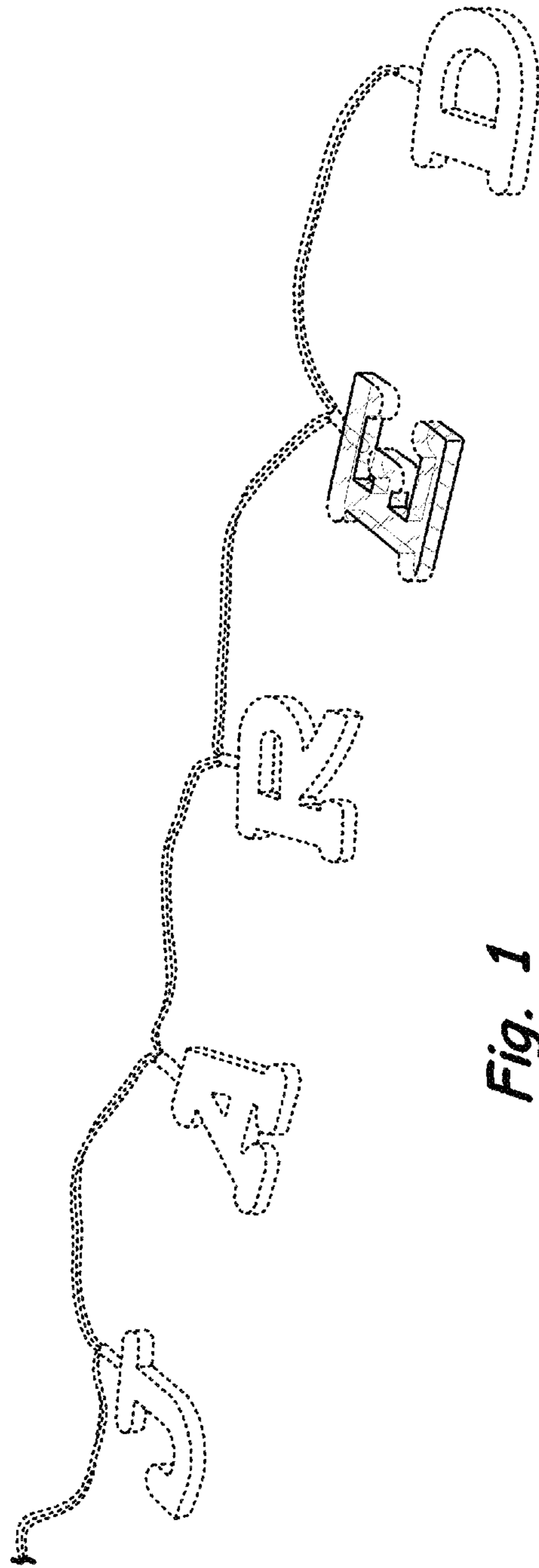


Fig. 1

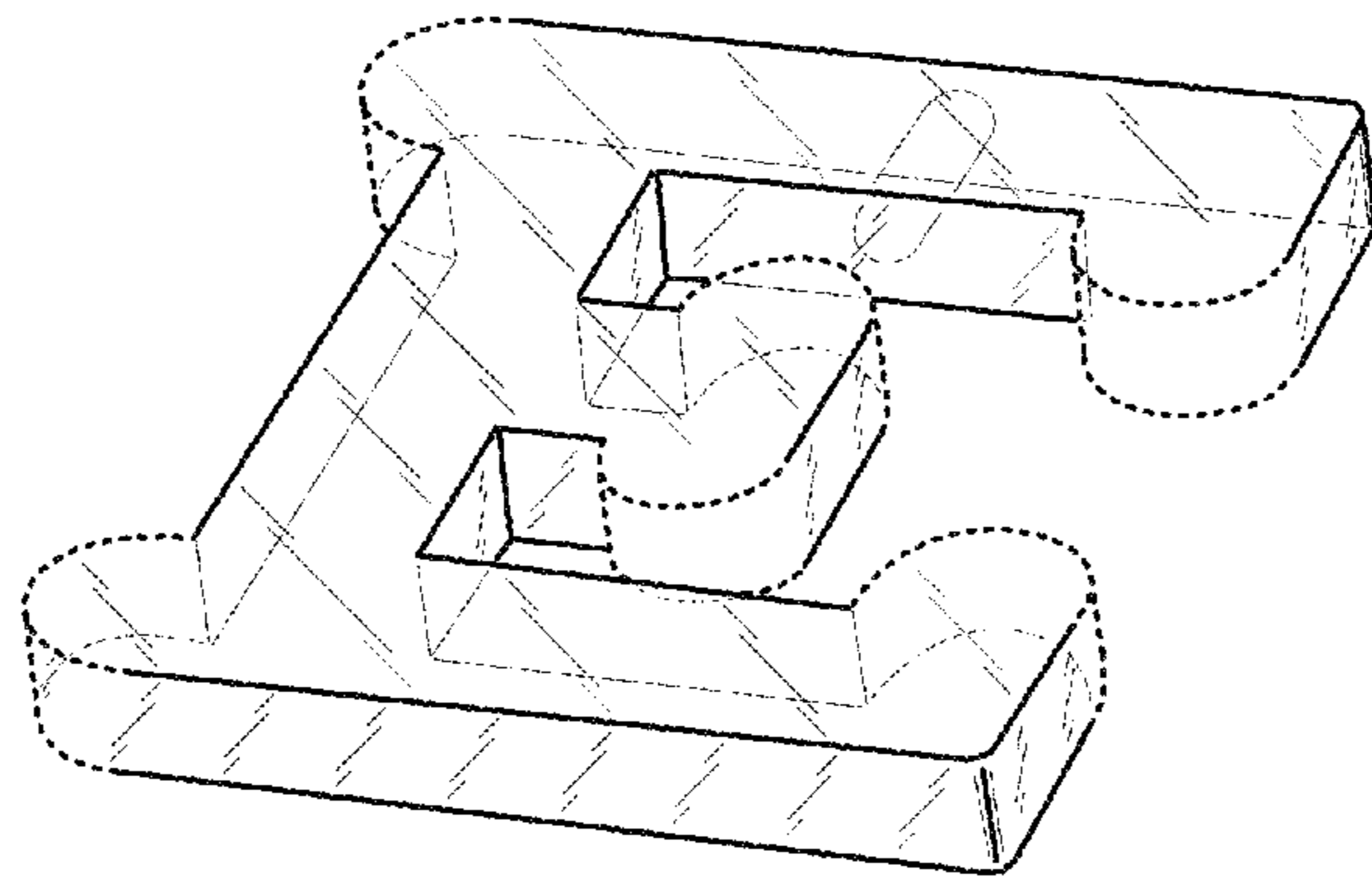


Fig. 2

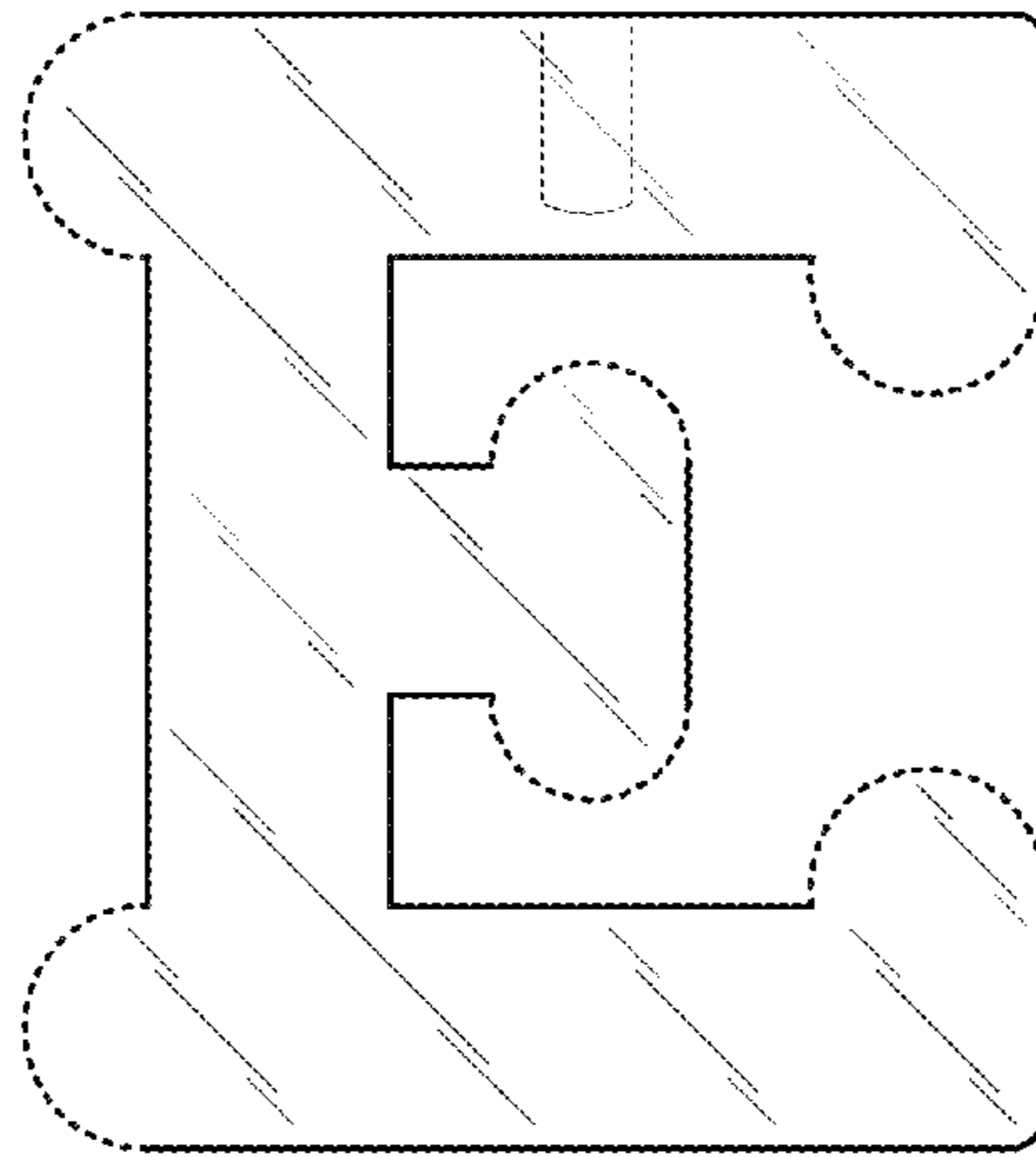


Fig. 3

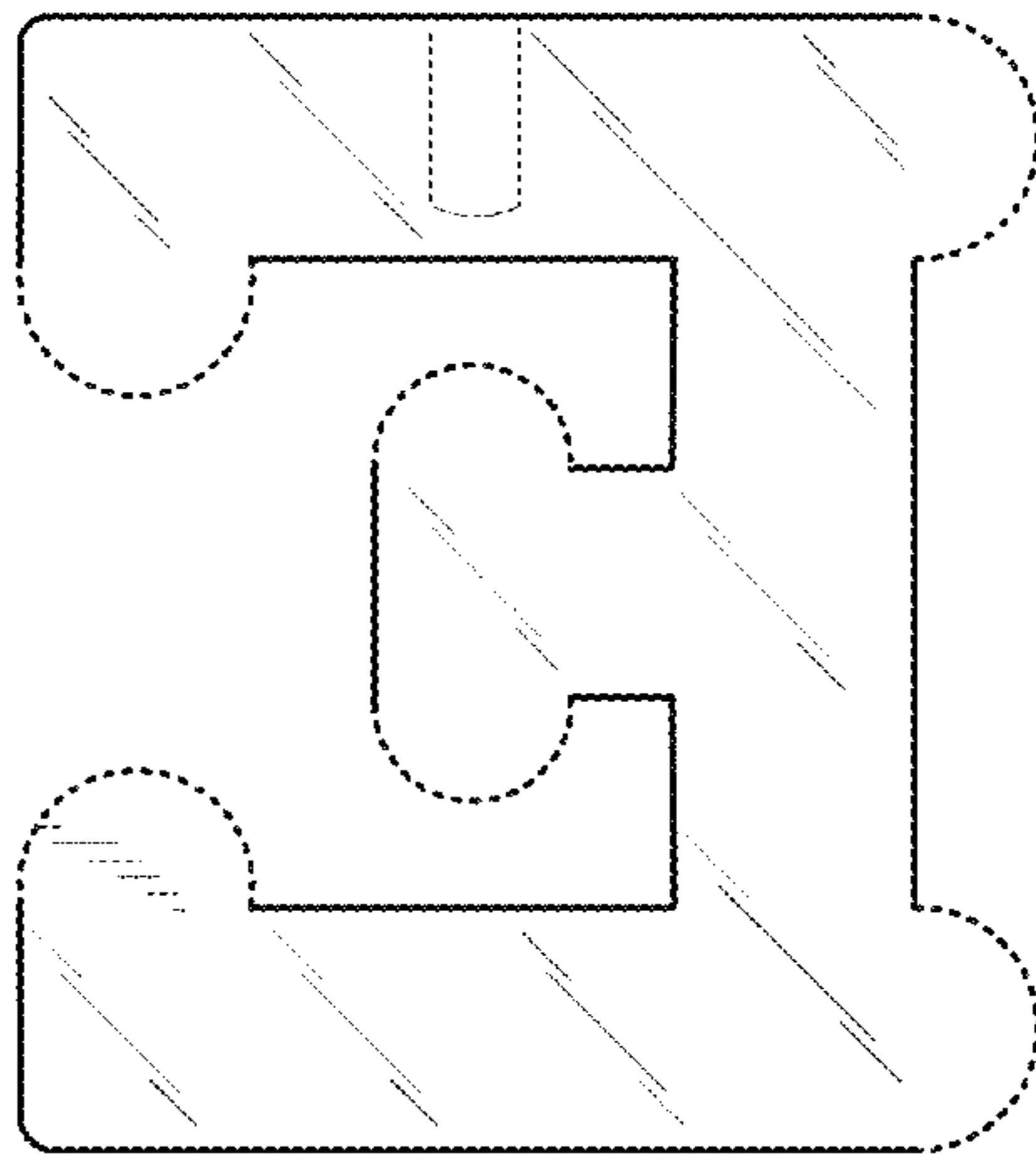


Fig. 4

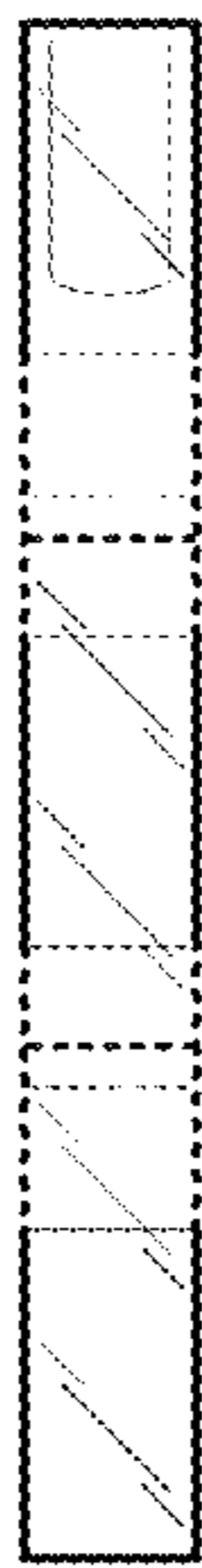


Fig. 5

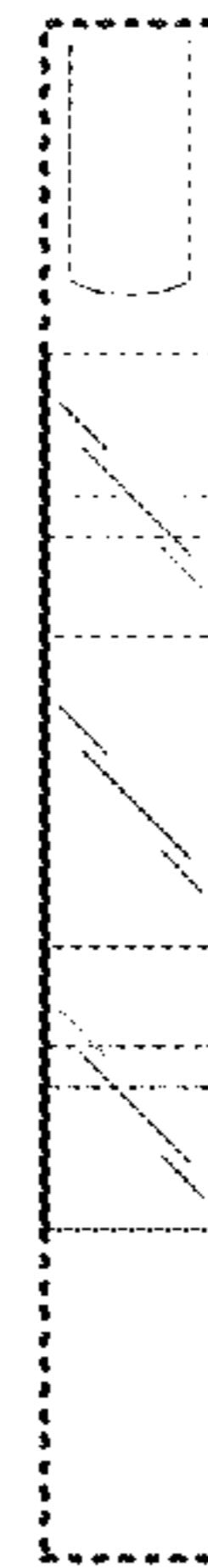


Fig. 6



Fig. 7



Fig. 8