

US00D668169S

(12) **United States Design Patent**  
**Inoue**

(10) **Patent No.:** **US D668,169 S**  
(45) **Date of Patent:** **\*\* Oct. 2, 2012**

- (54) **WATCH**
- (75) **Inventor:** **Hideki Inoue**, Nishitokyo (JP)
- (73) **Assignees:** **Citizen Holdings Co., Ltd.**, Tokyo (JP);  
**Citizen Watch Co., Ltd.**, Tokyo (JP)
- (\*\*) **Term:** **14 Years**
- (21) **Appl. No.:** **29/387,809**
- (22) **Filed:** **Mar. 18, 2011**
- (51) **LOC (9) Cl.** ..... **10-07**
- (52) **U.S. Cl.** ..... **D10/124; D10/126**
- (58) **Field of Classification Search** ..... D10/30-39,  
D10/122-132; 368/276, 281, 282, 285, 286,  
368/287, 223, 232, 233, 228  
See application file for complete search history.

- D474,118 S 5/2003 Monachon
- D481,967 S \* 11/2003 Cohen ..... D10/132
- D500,959 S \* 1/2005 Pibouleau ..... D10/126
- D517,432 S 3/2006 Laucella
- D518,387 S 4/2006 Roden
- D519,852 S 5/2006 Roden
- D538,182 S 3/2007 Lalo
- D538,184 S 3/2007 Scheufele
- D540,197 S 4/2007 Pasternak et al.
- D547,206 S 7/2007 Dewitt
- D570,231 S 6/2008 Actis-Datta
- D580,278 S \* 11/2008 Hegi ..... D10/32
- D590,274 S 4/2009 Monachon
- D590,727 S 4/2009 Wei
- D592,975 S 5/2009 Markl
- D617,212 S 6/2010 Behling

(Continued)

(56) **References Cited**

**U.S. PATENT DOCUMENTS**

- 279,850 A 6/1883 Young
- D50,558 S \* 4/1917 Levi ..... D10/132
- D51,182 S 8/1917 Lederer
- D51,225 S 9/1917 Dean
- D51,239 S \* 9/1917 Purver ..... D10/128
- D51,298 S \* 9/1917 Brown ..... D10/132
- 1,260,539 A 3/1918 Hertz
- D52,220 S 7/1918 Jacot
- D52,271 S \* 8/1918 Heimberg ..... D10/132
- D52,845 S 1/1919 Lederer
- 1,999,126 A \* 4/1935 Gardner ..... 368/231
- D136,341 S 9/1943 Dupin
- 2,361,563 A 10/1944 Pellaton
- D181,013 S \* 9/1957 Mamie ..... D10/38
- D195,421 S 6/1963 Huguenin
- 3,475,902 A 11/1969 Wessel
- 3,859,783 A 1/1975 Wuthrich
- 3,890,776 A 6/1975 Urushida
- D296,994 S 8/1988 Lauper
- D316,676 S 5/1991 Houlihan
- D324,183 S \* 2/1992 Hattori et al. .... D10/39
- D378,576 S \* 3/1997 Houlihan ..... D10/30
- D386,998 S \* 12/1997 Saint-Dizier ..... D10/128

**OTHER PUBLICATIONS**

“Perrelet” Website, The design of the wrist watch “Turbine XL” which was published on the website <http://www.perrelet.com/en/> on Feb. 28, 2011.

*Primary Examiner* — Lucy Lieberman

(74) *Attorney, Agent, or Firm* — RatnerPrestia

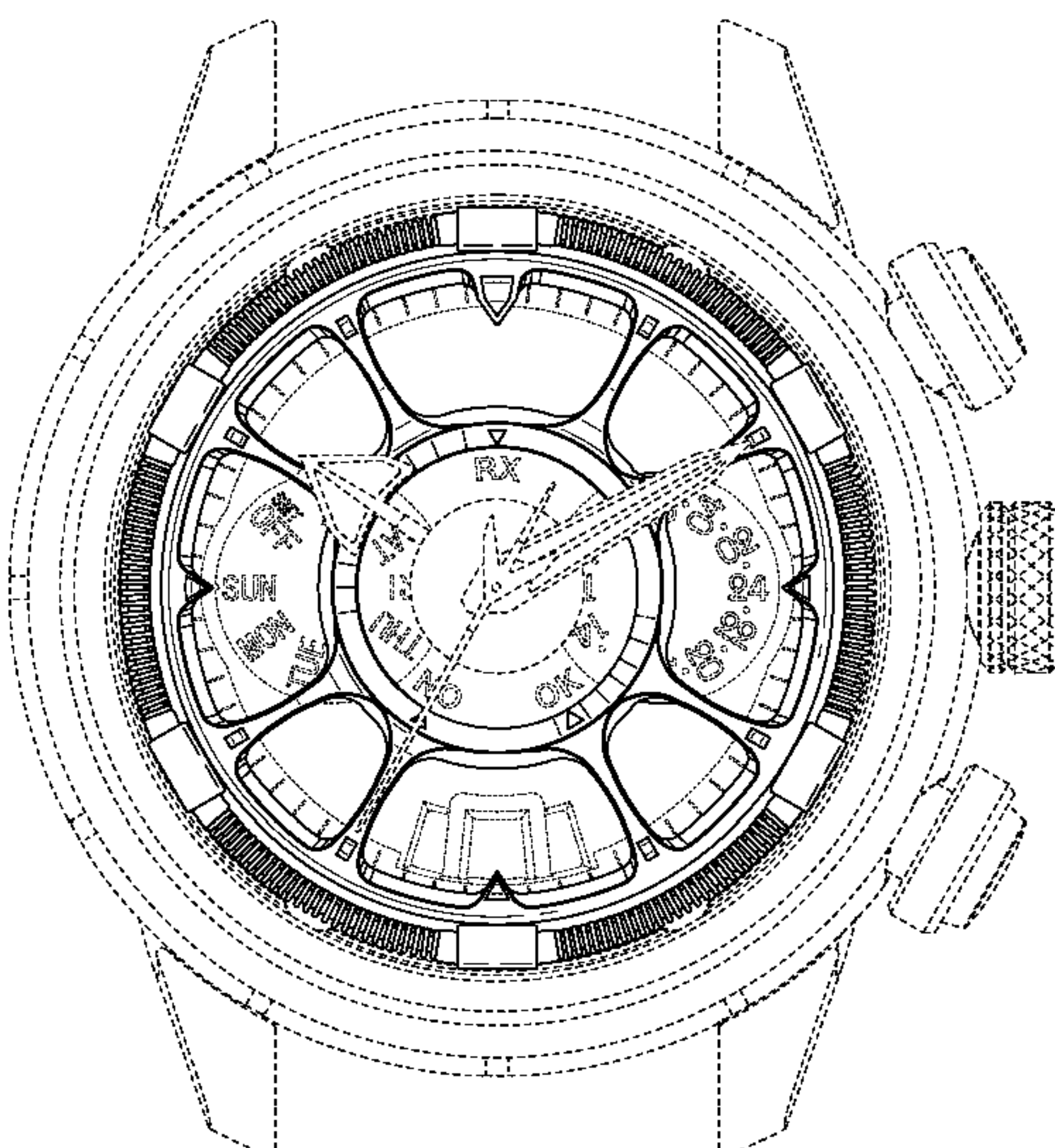
(57) **CLAIM**

The ornamental design for a watch, as shown and described.

**DESCRIPTION**

FIG. 1 is a perspective view of a watch showing my new design;  
 FIG. 2 is a front elevational view thereof;  
 FIG. 3 is a rear elevational view thereof;  
 FIG. 4 is a left side elevational view thereof;  
 FIG. 5 is a right side elevational view thereof;  
 FIG. 6 is a top plan view thereof; and,  
 FIG. 7 is a bottom plan view thereof.  
 The broken lines in FIGS. 1 through 7 in the drawings are used to show portions of the watch that do not form part of the claimed design.

**1 Claim, 5 Drawing Sheets**



# US D668,169 S

Page 2

---

## U.S. PATENT DOCUMENTS

D623,078 S *	9/2010	Hegi .....	D10/32	D628,110 S *	11/2010	Boulangéot .....	D10/126
D624,443 S	9/2010	Cerrato		D628,908 S	12/2010	Giannini	
D625,213 S *	10/2010	Vaptzarof .....	D10/126	D648,230 S *	11/2011	Inoue .....	D10/39

\* cited by examiner

Fig. 1

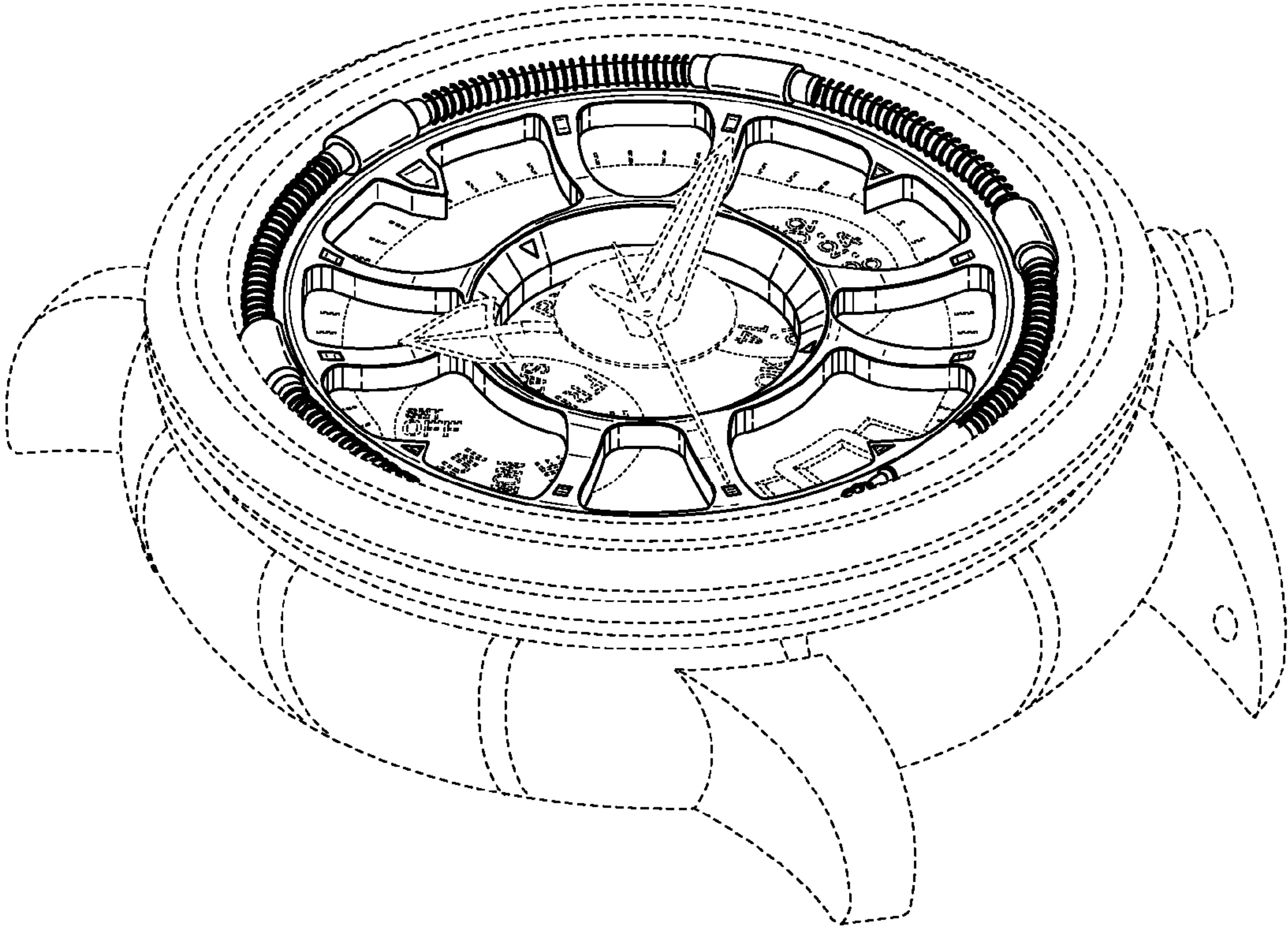




Fig.2

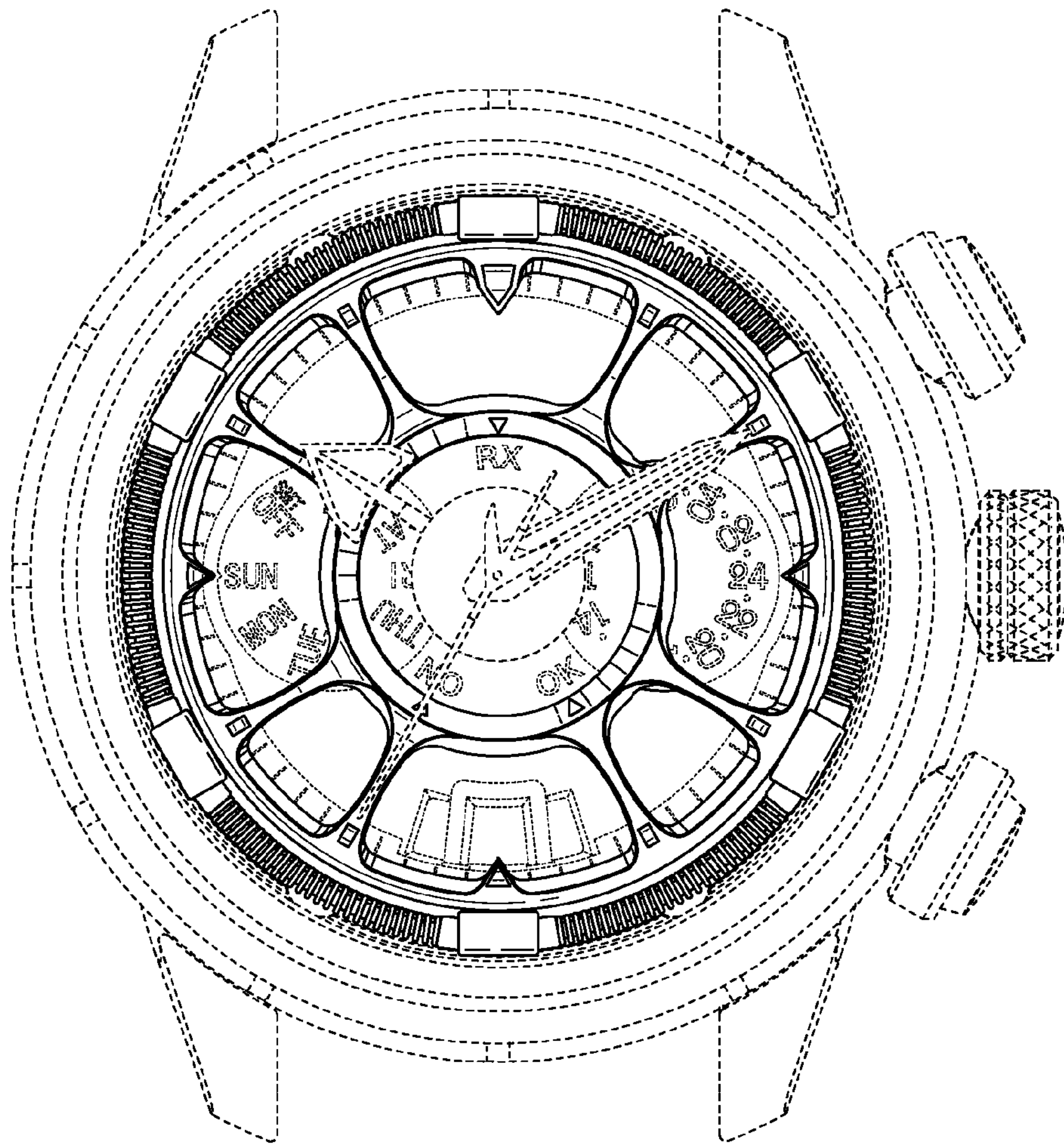


Fig.3

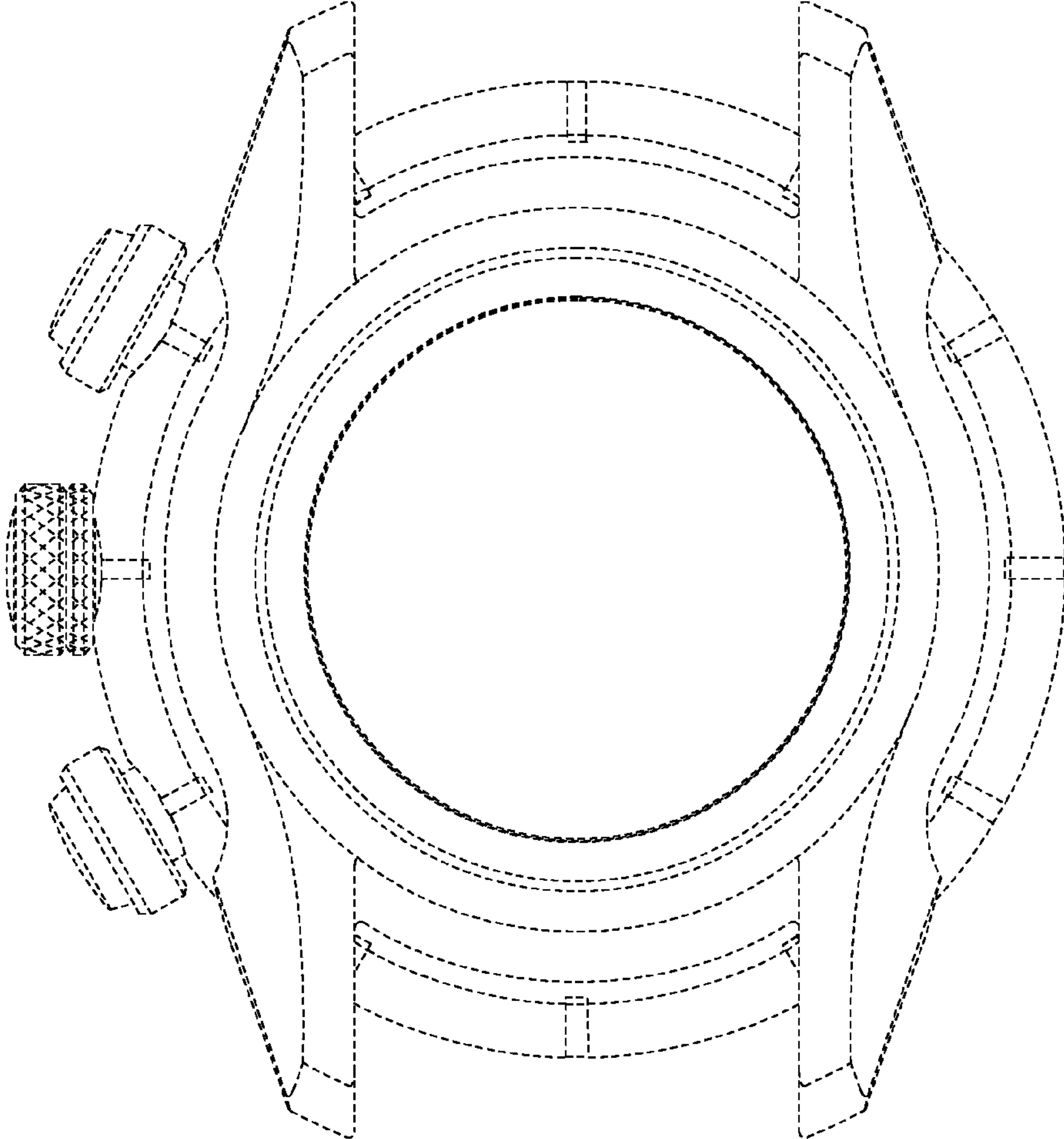


Fig.4

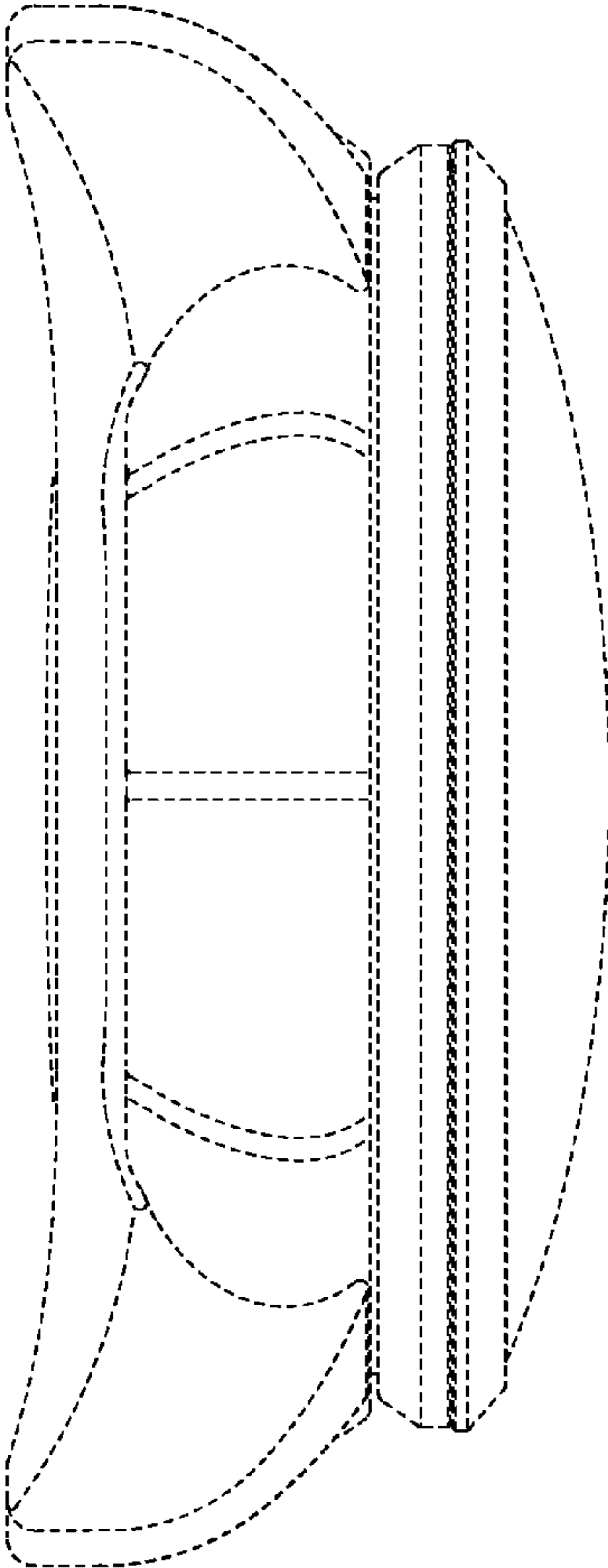


Fig.5

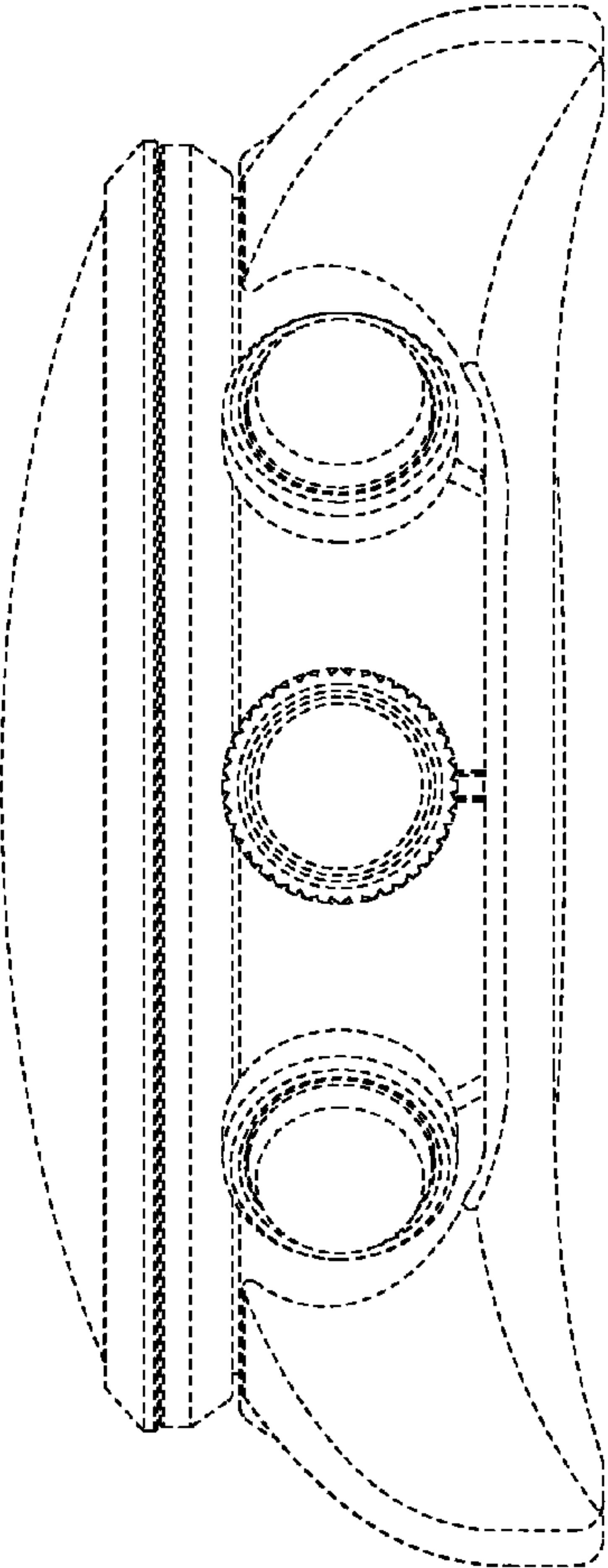


Fig.6

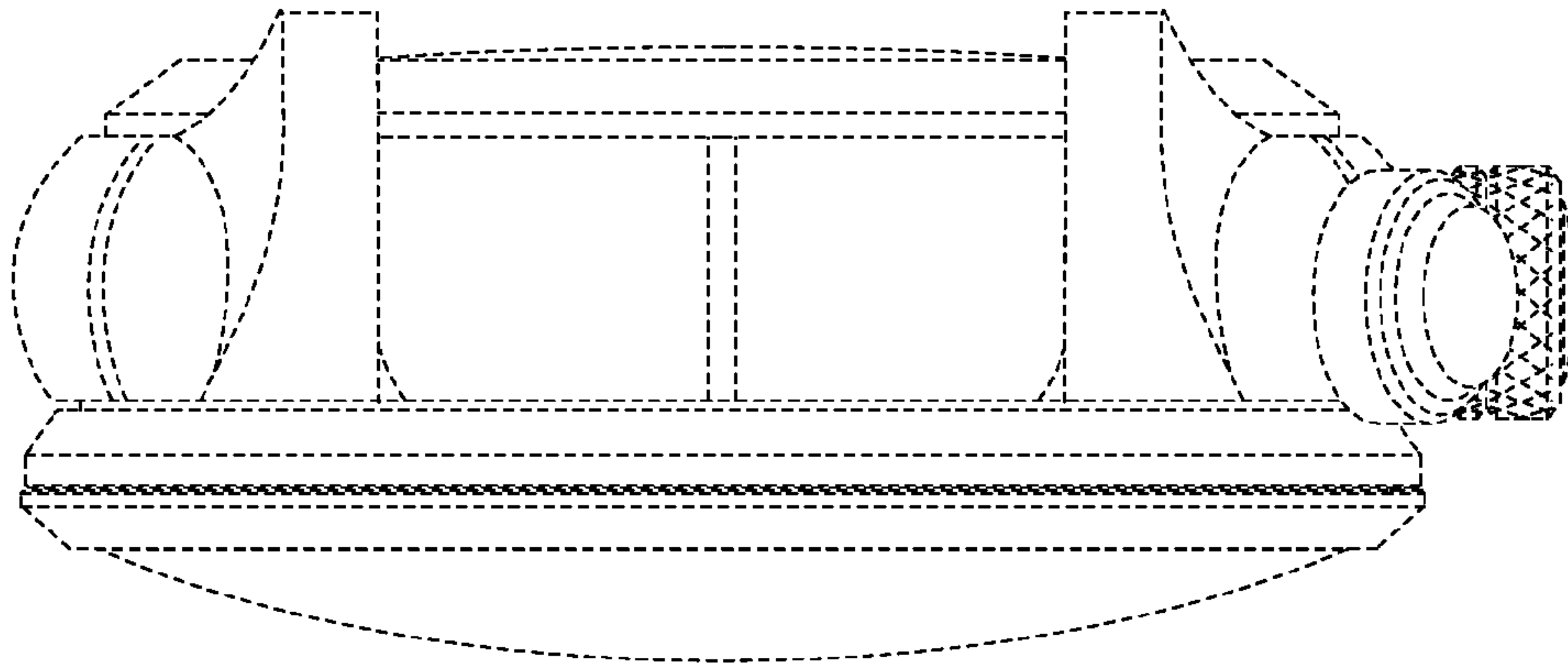


Fig.7

