



US00D668167S

(12) **United States Design Patent**  
**Rainer et al.**

(10) **Patent No.:** **US D668,167 S**  
(45) **Date of Patent:** **\*\* Oct. 2, 2012**

(54) **FLOW-THROUGH SENSING APPARATUS FOR REAL-TIME FLUID PROPERTY MEASUREMENT**

(75) Inventors: **Michael D. Rainer**, Burton, OH (US);  
**Peter J. Gillespie**, Chagrin Falls, OH (US)

(73) Assignee: **The Mercury Iron and Steel Co.**,  
Cleveland, OH (US)

(\*\*) Term: **14 Years**

(21) Appl. No.: **29/400,936**

(22) Filed: **Sep. 2, 2011**

(51) **LOC (9) Cl.** ..... **10-04**

(52) **U.S. Cl.** ..... **D10/96**

(58) **Field of Classification Search** ..... D10/46,  
D10/96; 73/204.11, 861; 356/128

See application file for complete search history.

(56) **References Cited**

**U.S. PATENT DOCUMENTS**

D653,136 S 1/2012 Rainer et al.  
2010/0064799 A1\* 3/2010 Mais et al. .... 73/204.11  
2012/0118058 A1 5/2012 Rainer et al.

\* cited by examiner

**OTHER PUBLICATIONS**

Rainer, et al.; U.S. Appl. No. 29/408,355, filed Dec. 12, 2011, in its entirety.

*Primary Examiner* — Antoine D Davis

(74) *Attorney, Agent, or Firm* — Ulmer & Berne LLP

(57) **CLAIM**

The ornamental design for a flow-through sensing apparatus for real-time fluid property measurement, as shown and described.

**DESCRIPTION**

FIG. 1 is an isometric view of a first embodiment of the flow-through sensing apparatus for real-time fluid property measurement;

FIG. 2 is a top plan view of the flow-through sensing apparatus for real-time fluid property measurement of FIG. 1; FIG. 3 is a bottom plan view of the flow-through sensing apparatus for real-time fluid property measurement of FIG. 1; FIG. 4 is a front elevation view of the flow-through sensing apparatus for real-time fluid property measurement of FIG. 1; FIG. 5 is a rear elevation view of the flow-through sensing apparatus for real-time fluid property measurement of FIG. 1; FIG. 6 is a left side elevation view of the flow-through sensing apparatus for real-time fluid property measurement of FIG. 1; FIG. 7 is a right side elevation view of the flow-through sensing apparatus for real-time fluid property measurement of FIG. 1;

FIG. 8 is an isometric view of a second embodiment of the flow-through sensing apparatus for real-time fluid property measurement;

FIG. 9 is a top plan view of the flow-through sensing apparatus for real-time fluid property measurement of FIG. 8;

FIG. 10 is a bottom plan view of the flow-through sensing apparatus for real-time fluid property measurement of FIG. 8;

FIG. 11 is a front elevation view of the flow-through sensing apparatus for real-time fluid property measurement of FIG. 8;

FIG. 12 is a rear elevation view of the flow-through sensing apparatus for real-time fluid property measurement of FIG. 8;

FIG. 13 is a left side elevation view of the flow-through sensing apparatus for real-time fluid property measurement of FIG. 8;

FIG. 14 is a right side elevation view of the flow-through sensing apparatus for real-time fluid property measurement of FIG. 8;

FIG. 15 is an isometric view of a third embodiment of the flow-through sensing apparatus for real-time fluid property measurement;

FIG. 16 is a top plan view of the flow-through sensing apparatus for real-time fluid property measurement of FIG. 15;

FIG. 17 is a bottom plan view of the flow-through sensing apparatus for real-time fluid property measurement of FIG. 15;

FIG. 18 is a front elevation view of the flow-through sensing apparatus for real-time fluid property measurement of FIG. 15;

FIG. 19 is a rear elevation view of the flow-through sensing apparatus for real-time fluid property measurement of FIG. 15;

FIG. 19 is a rear elevation view of the flow-through sensing apparatus for real-time fluid property measurement of FIG. 15;

FIG. 19 is a rear elevation view of the flow-through sensing apparatus for real-time fluid property measurement of FIG. 15;

FIG. 19 is a rear elevation view of the flow-through sensing apparatus for real-time fluid property measurement of FIG. 15;

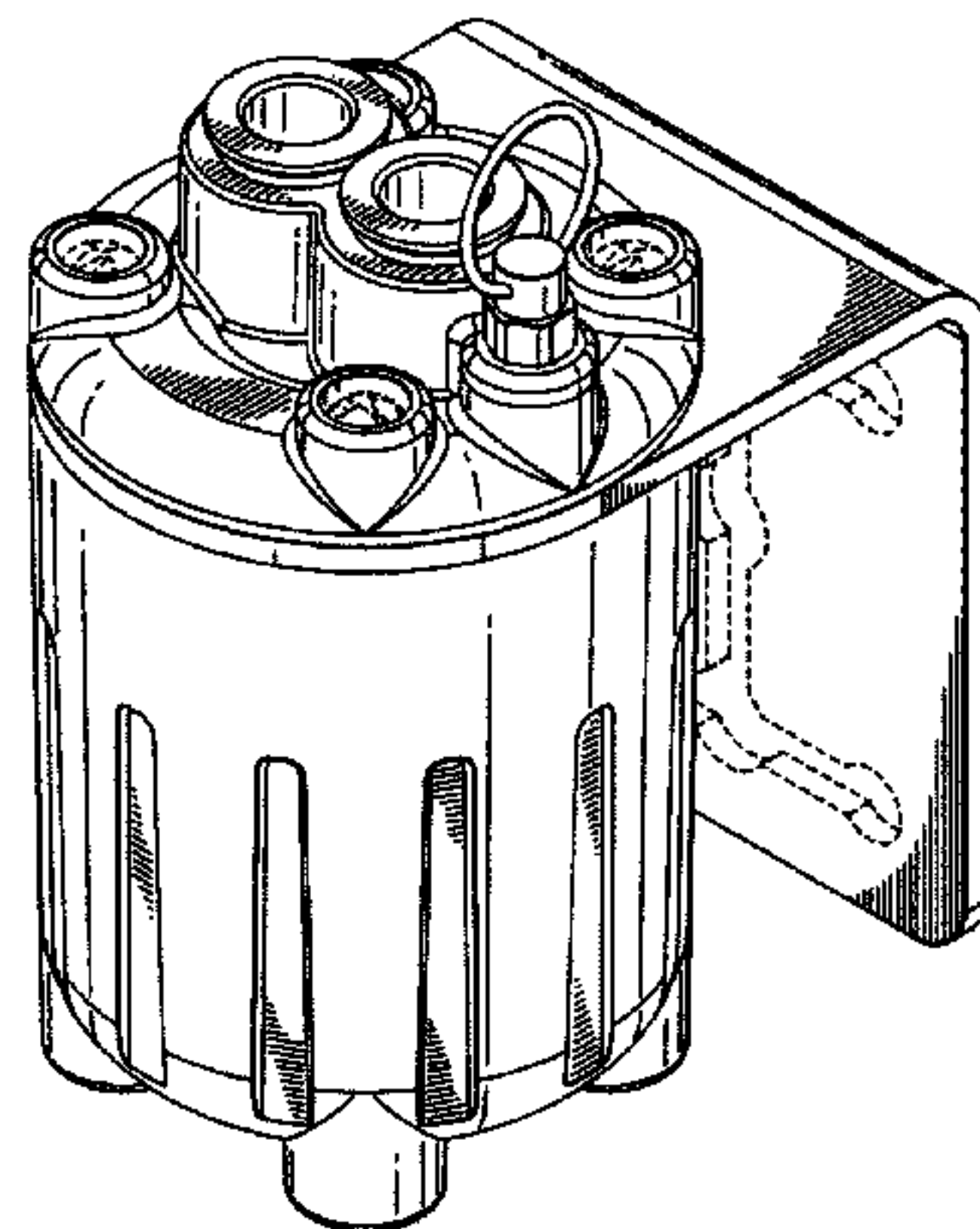
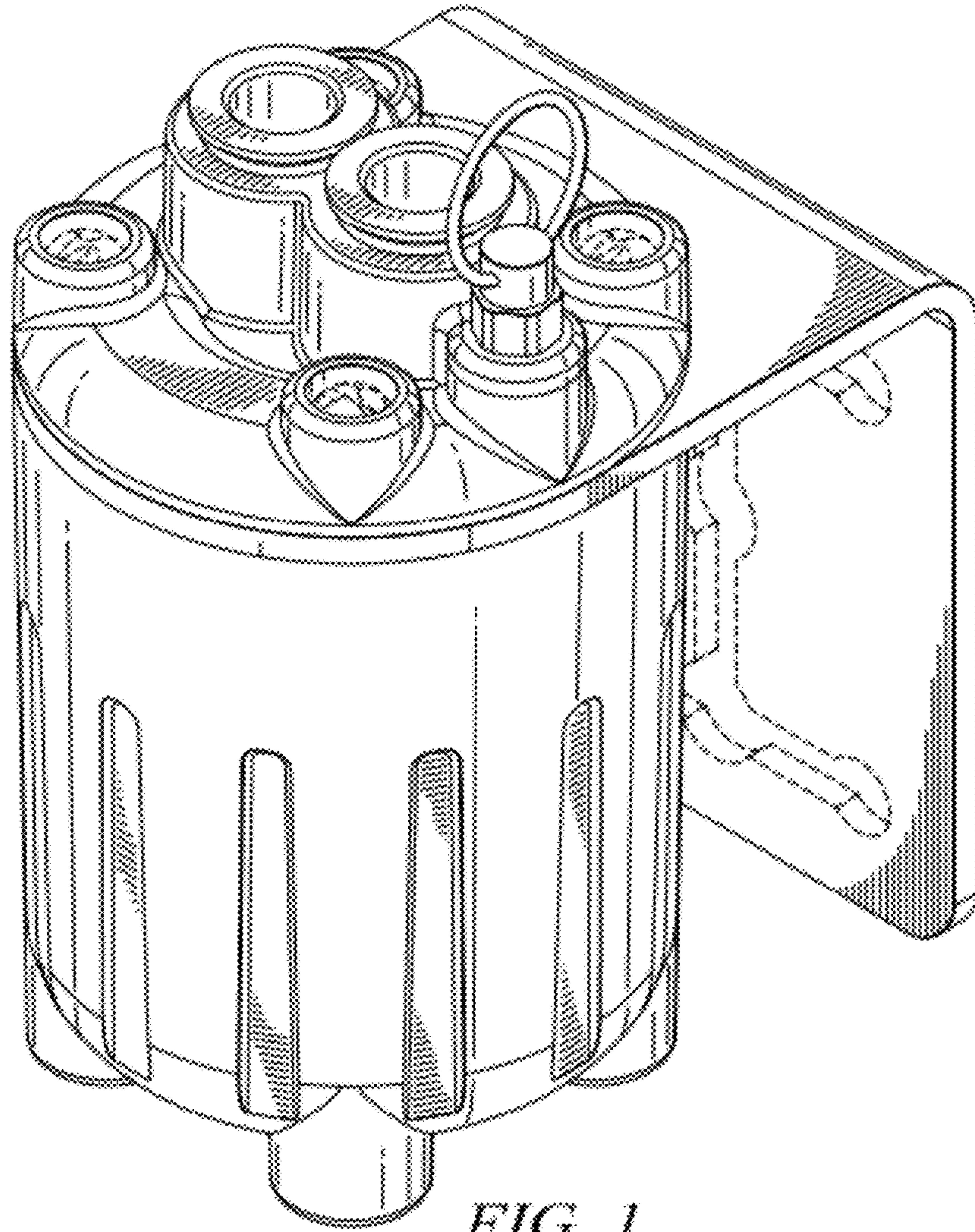


FIG. 20 is a left side elevation view of the flow-through sensing apparatus for real-time fluid property measurement of FIG. 15; and,  
FIG. 21 is a right side elevation view of the flow-through sensing apparatus for real-time fluid property measurement of FIG. 15.

The phantom lines and areas shown in the figures are for illustrative purposes only and form no part of the claimed design.

**1 Claim, 12 Drawing Sheets**





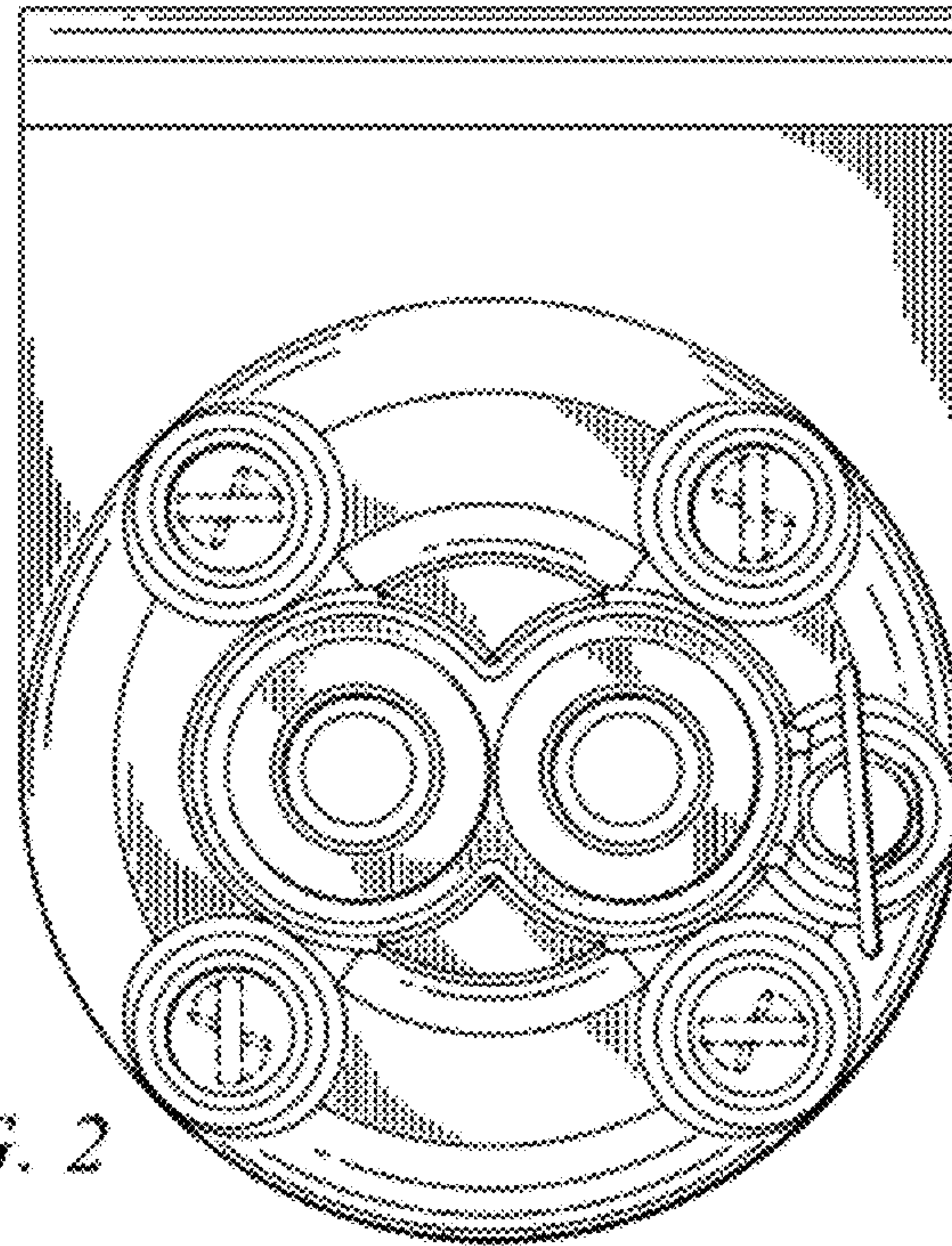


FIG. 2

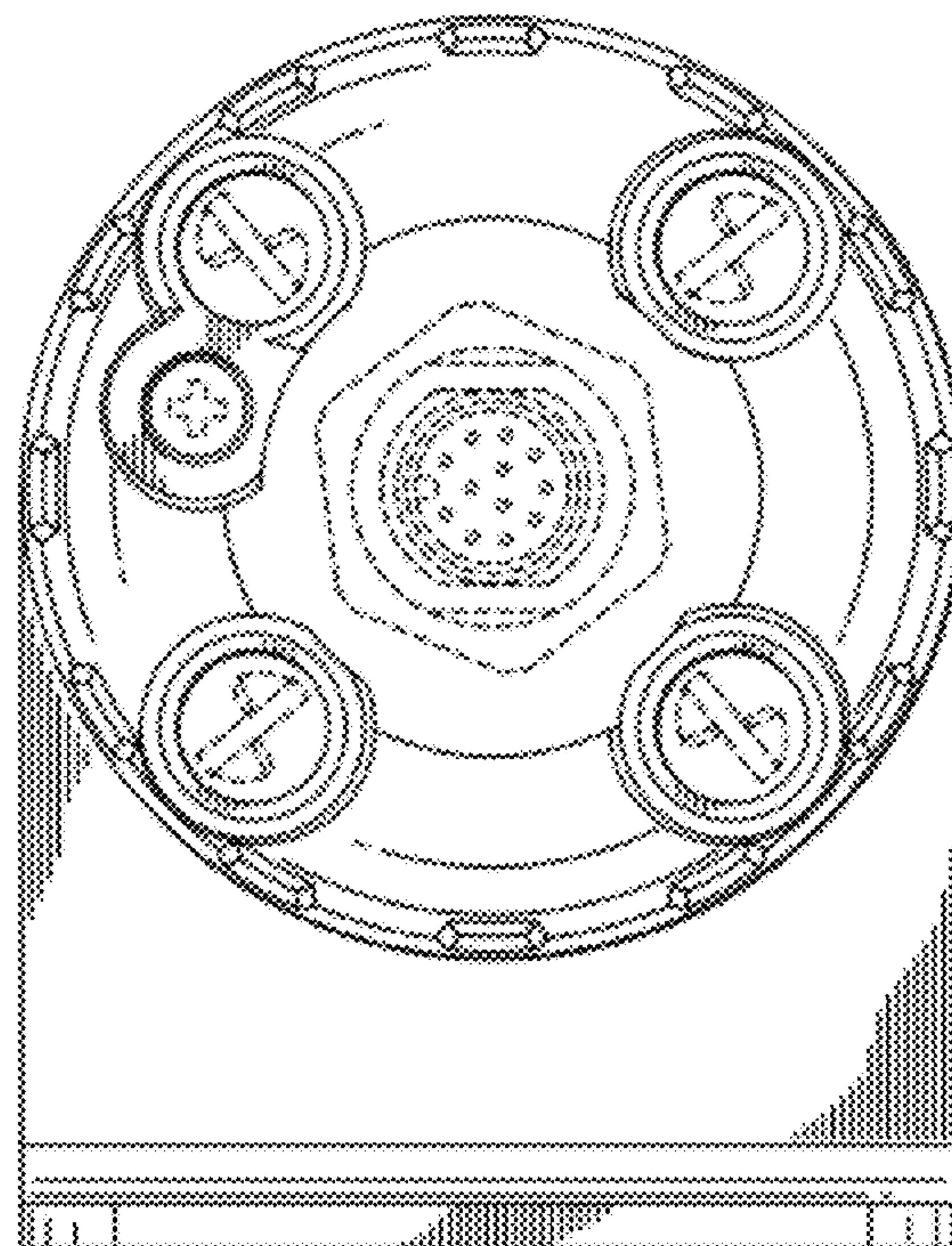


FIG. 3

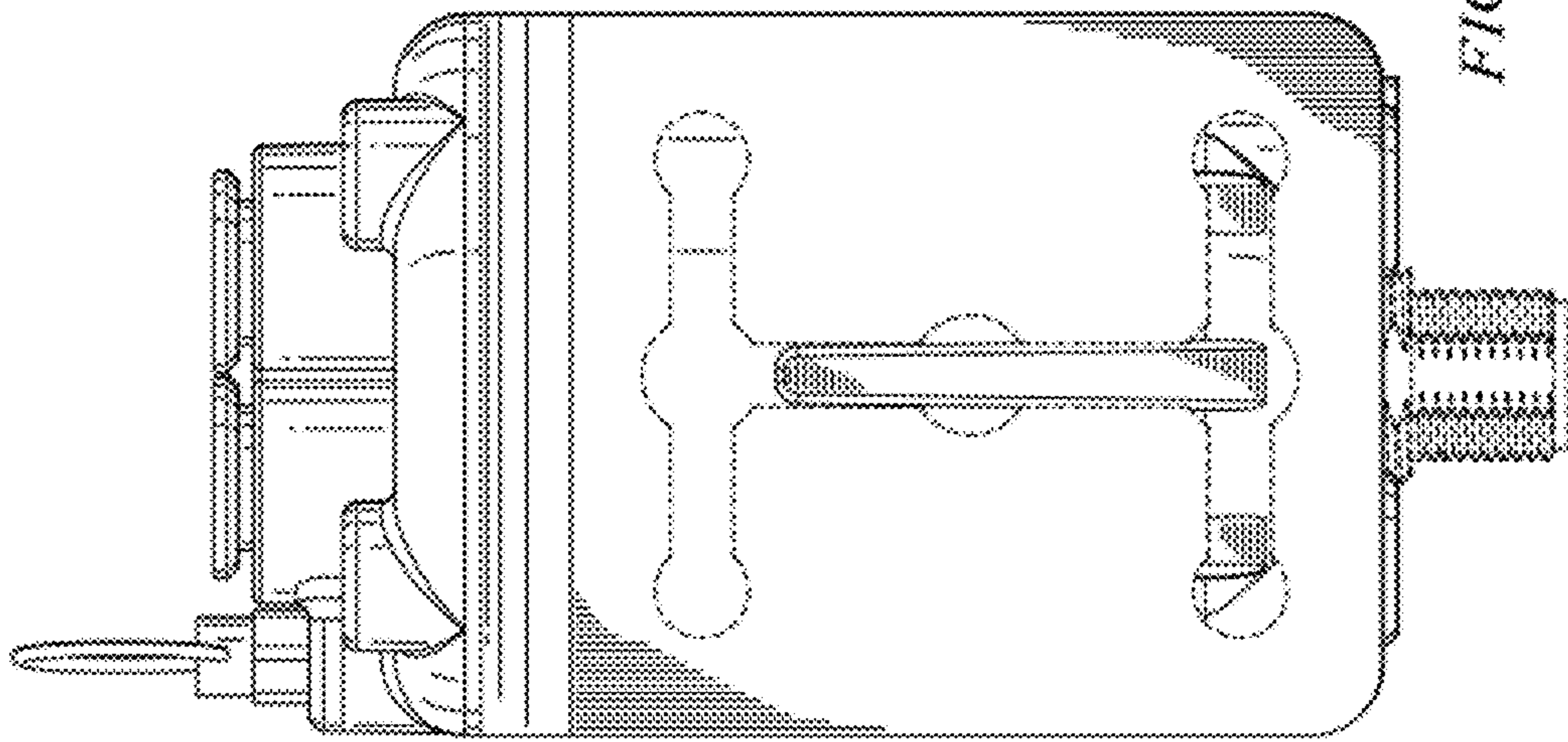


FIG. 5

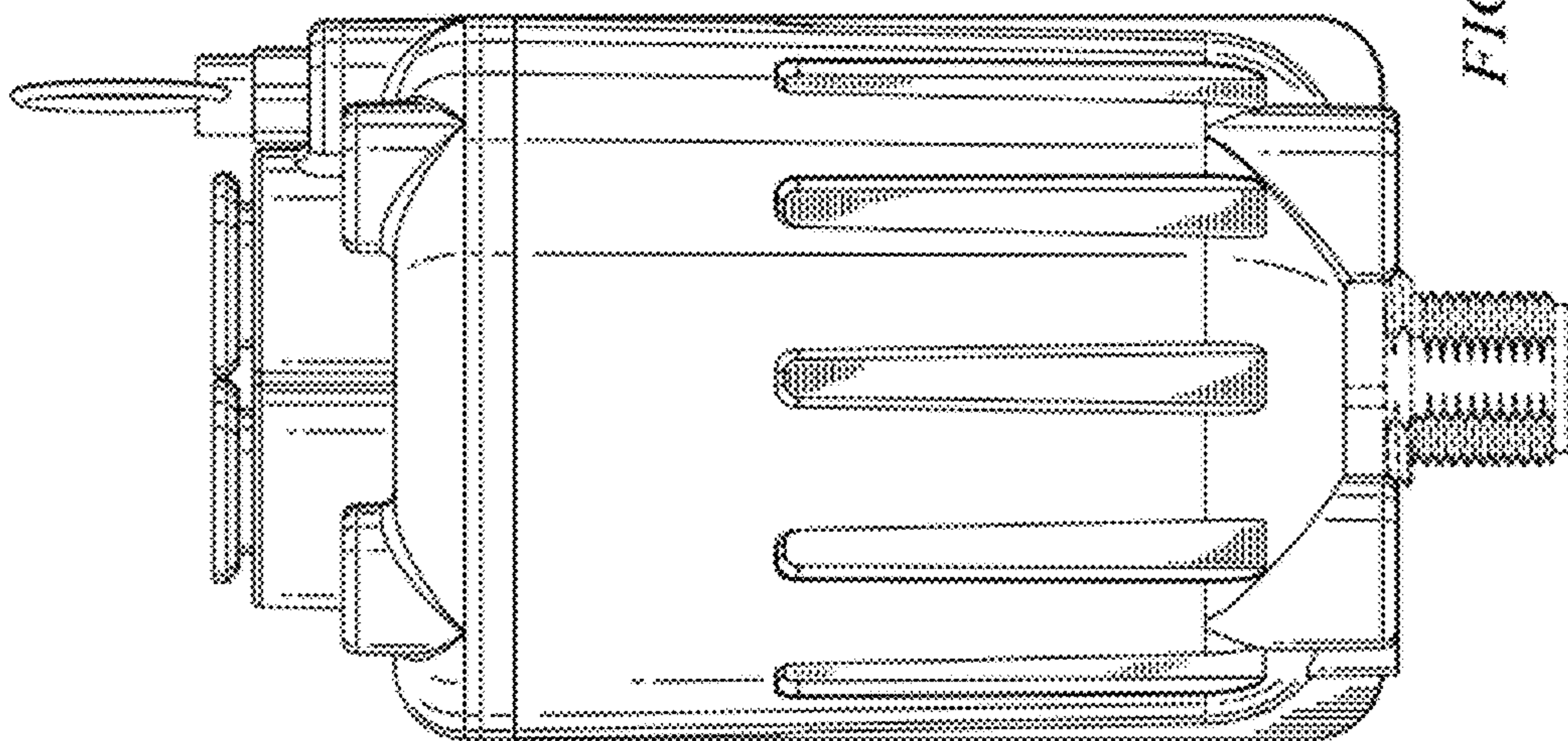
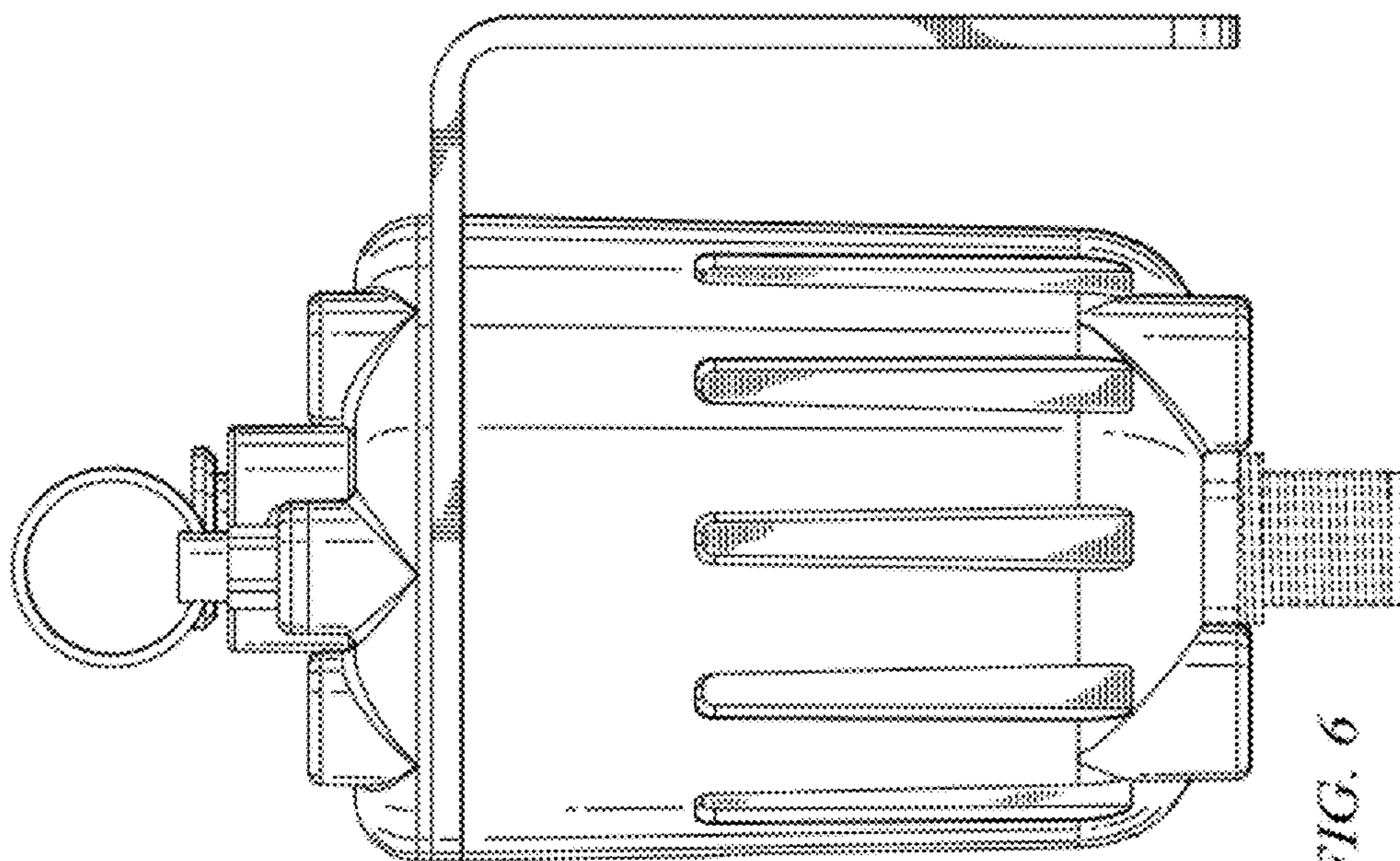
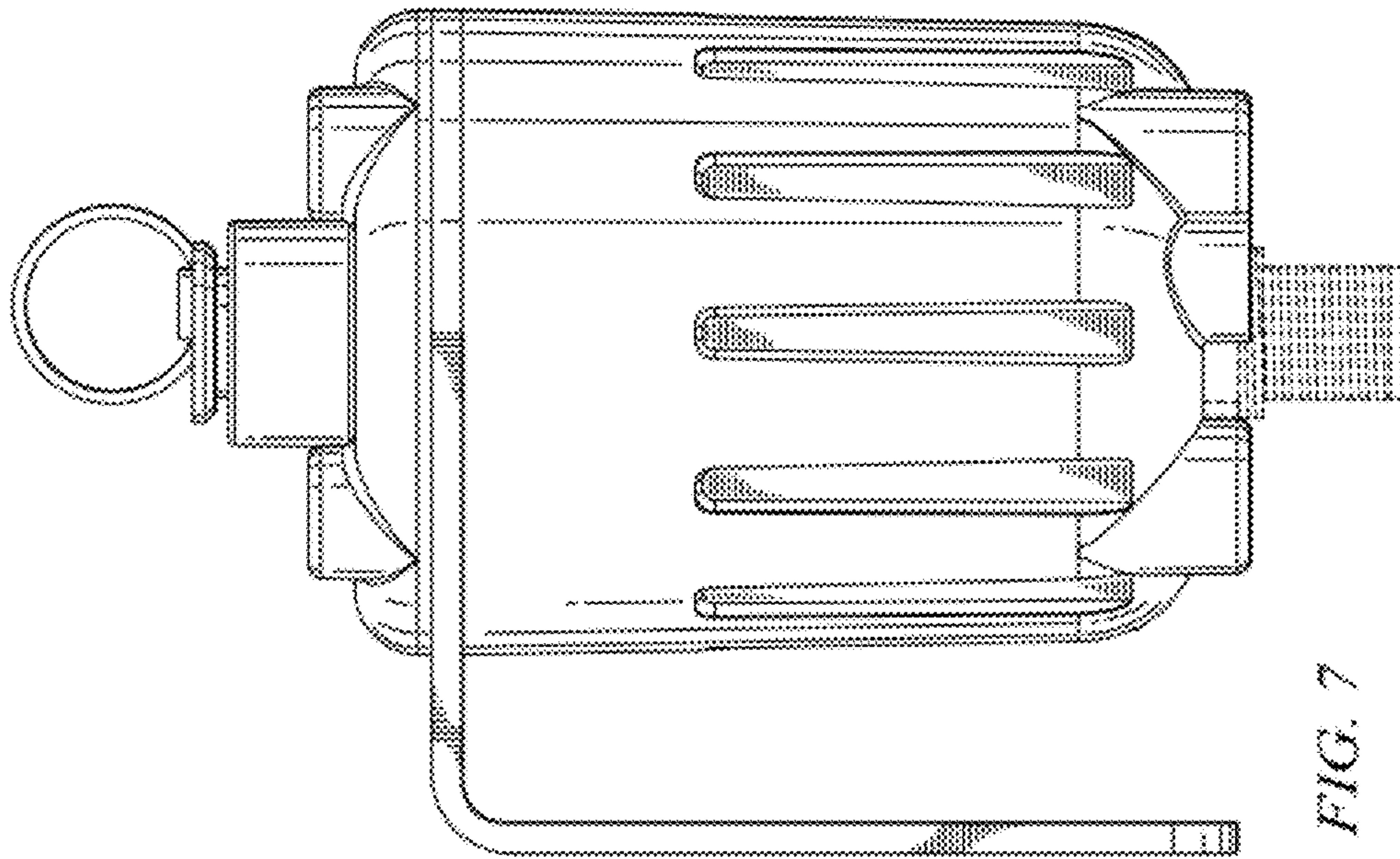


FIG. 4





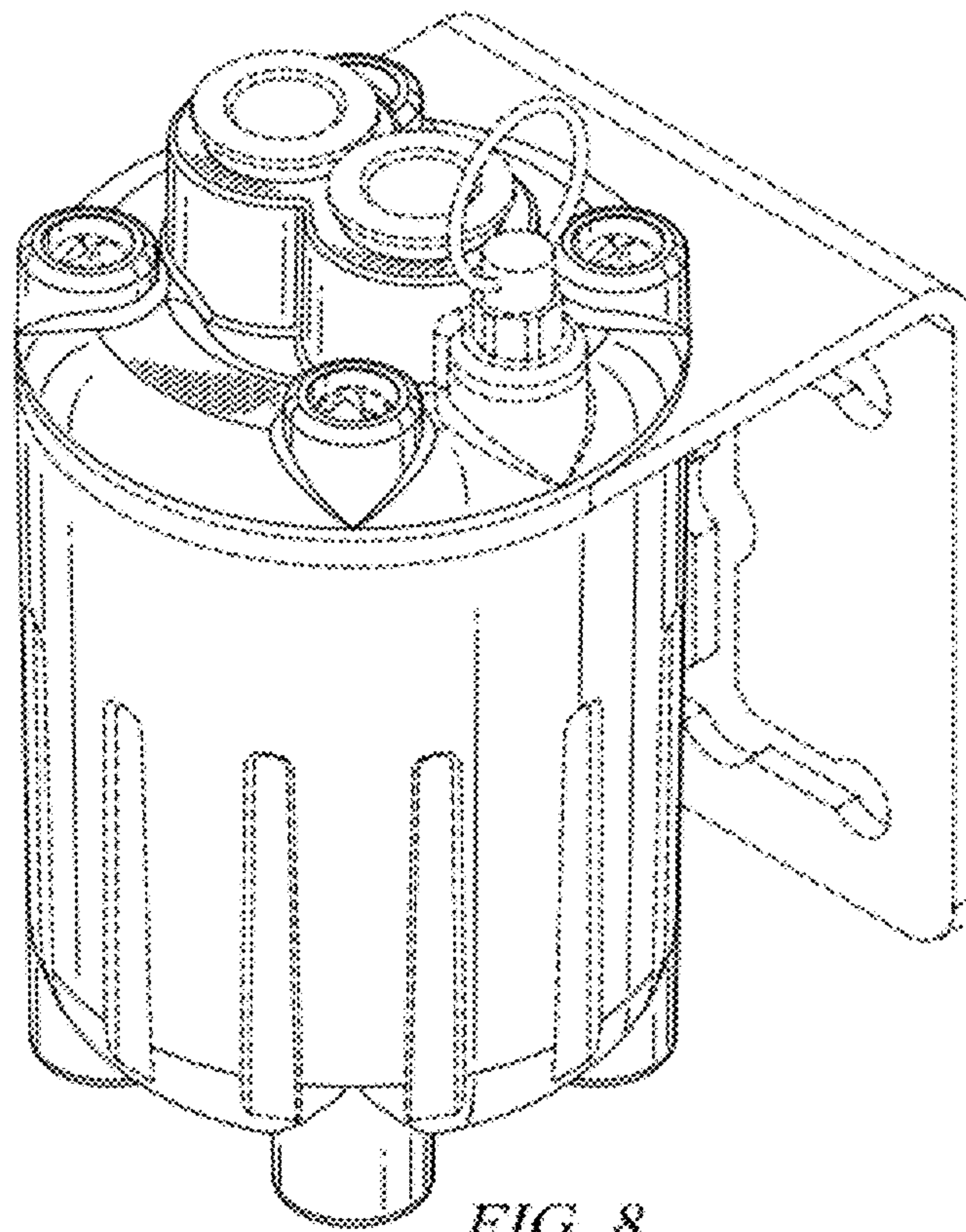


FIG. 8



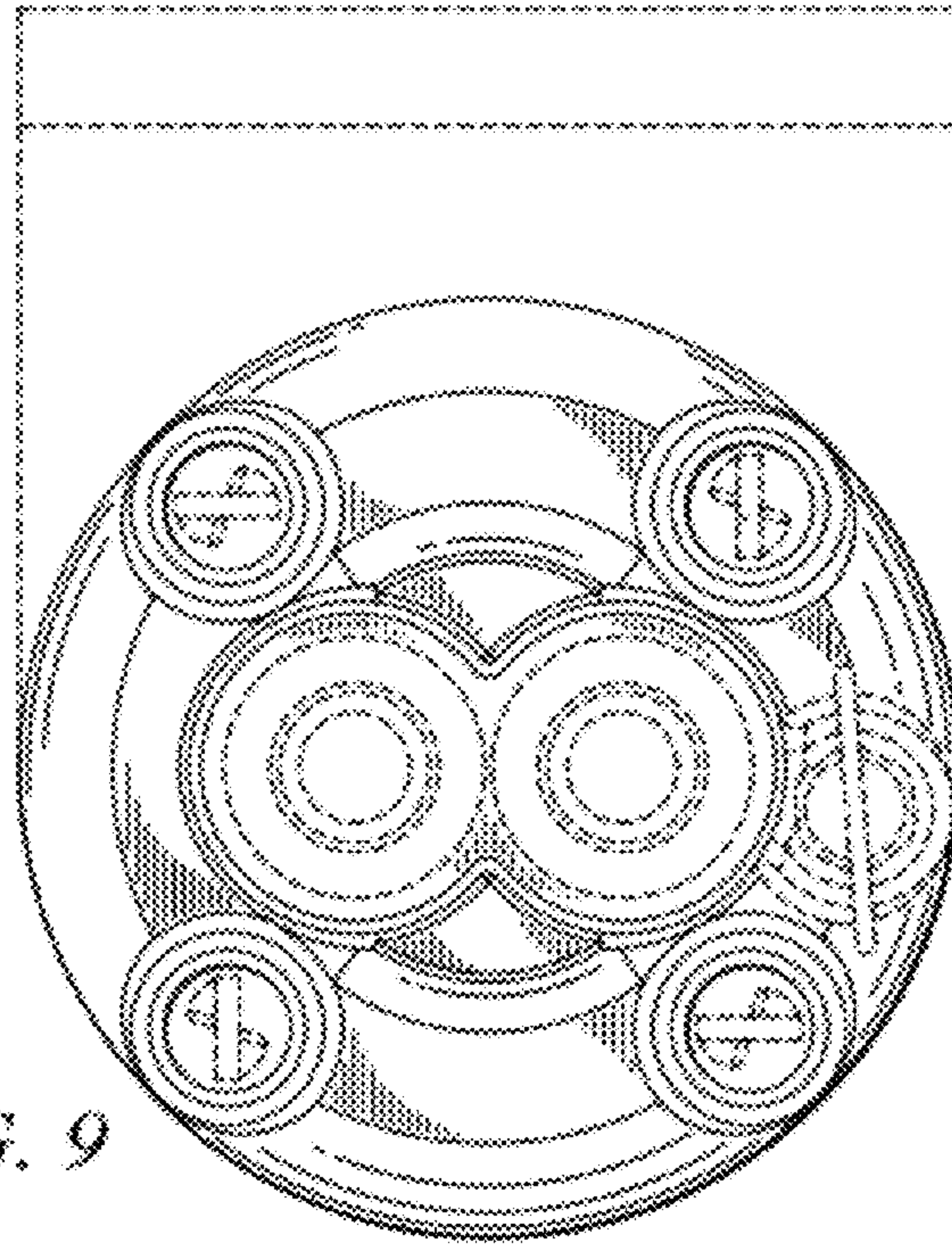


FIG. 9

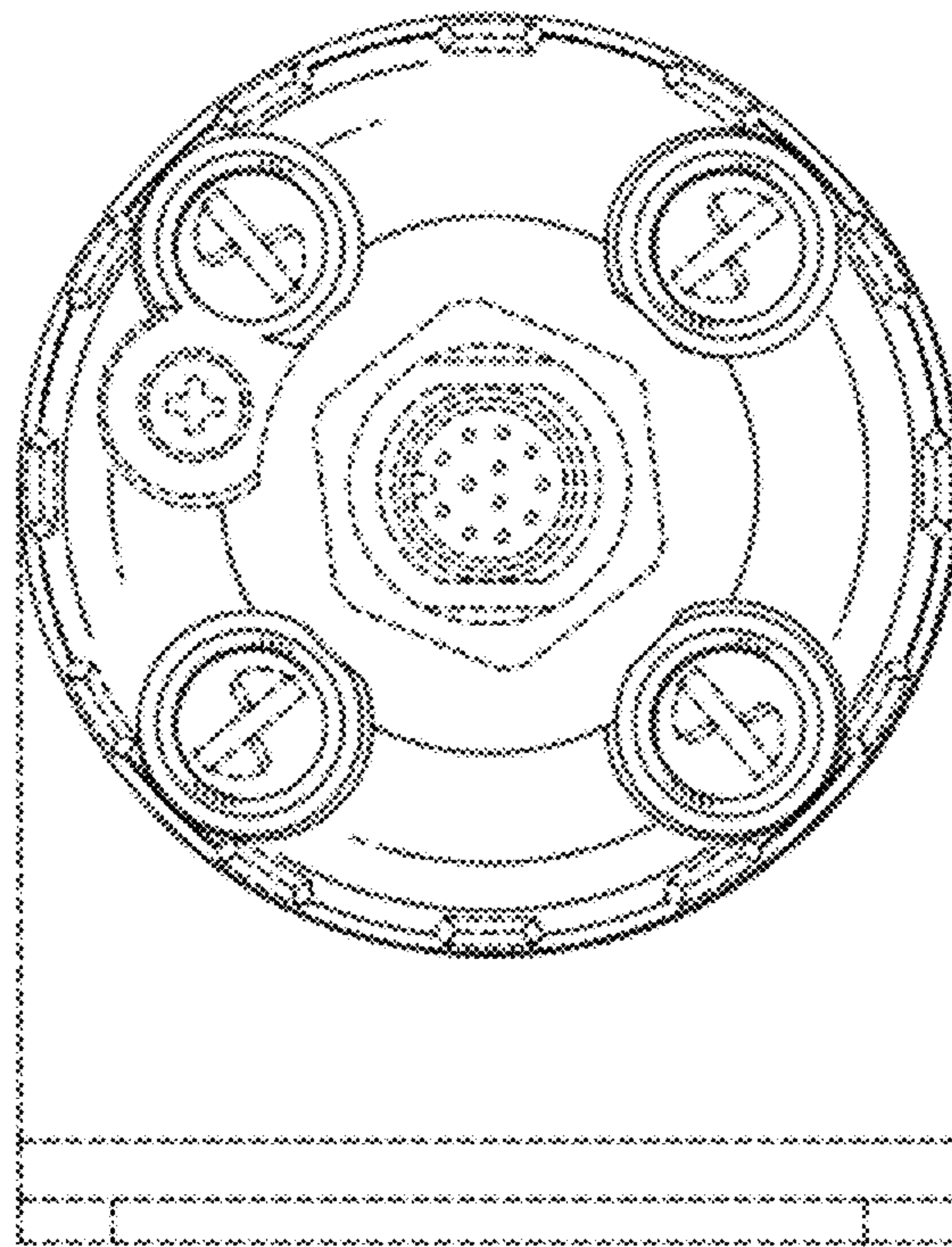


FIG. 10



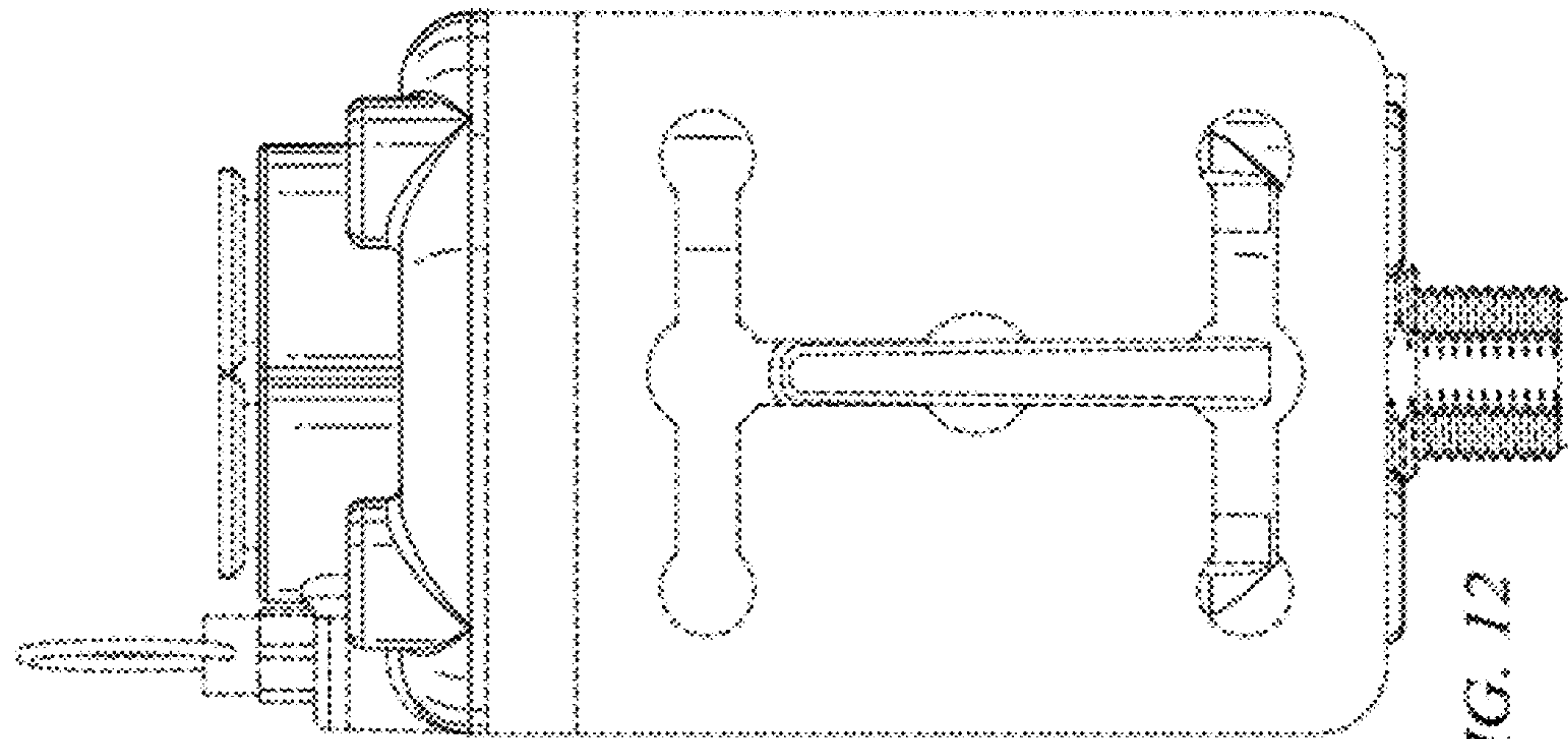


FIG. 12

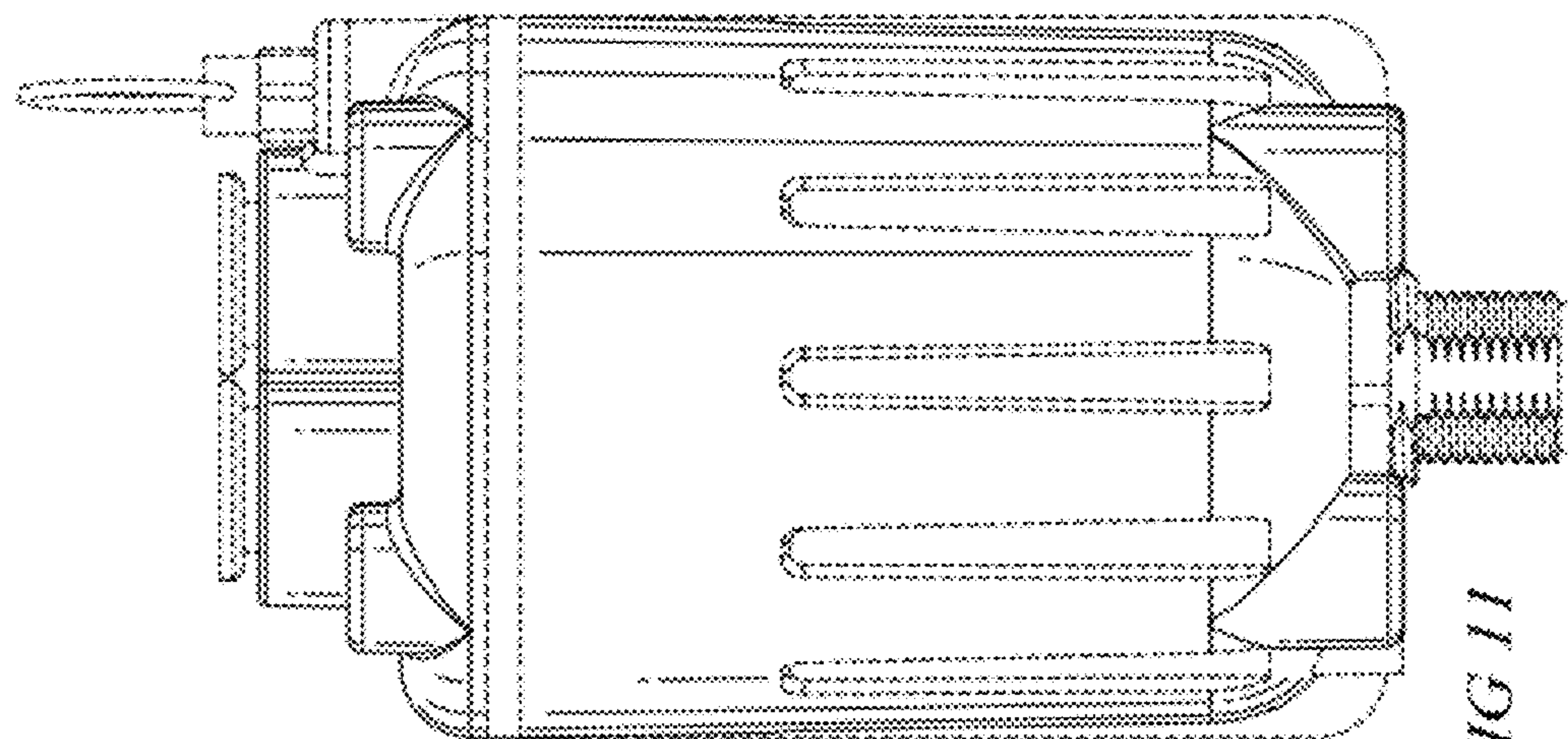


FIG. 11

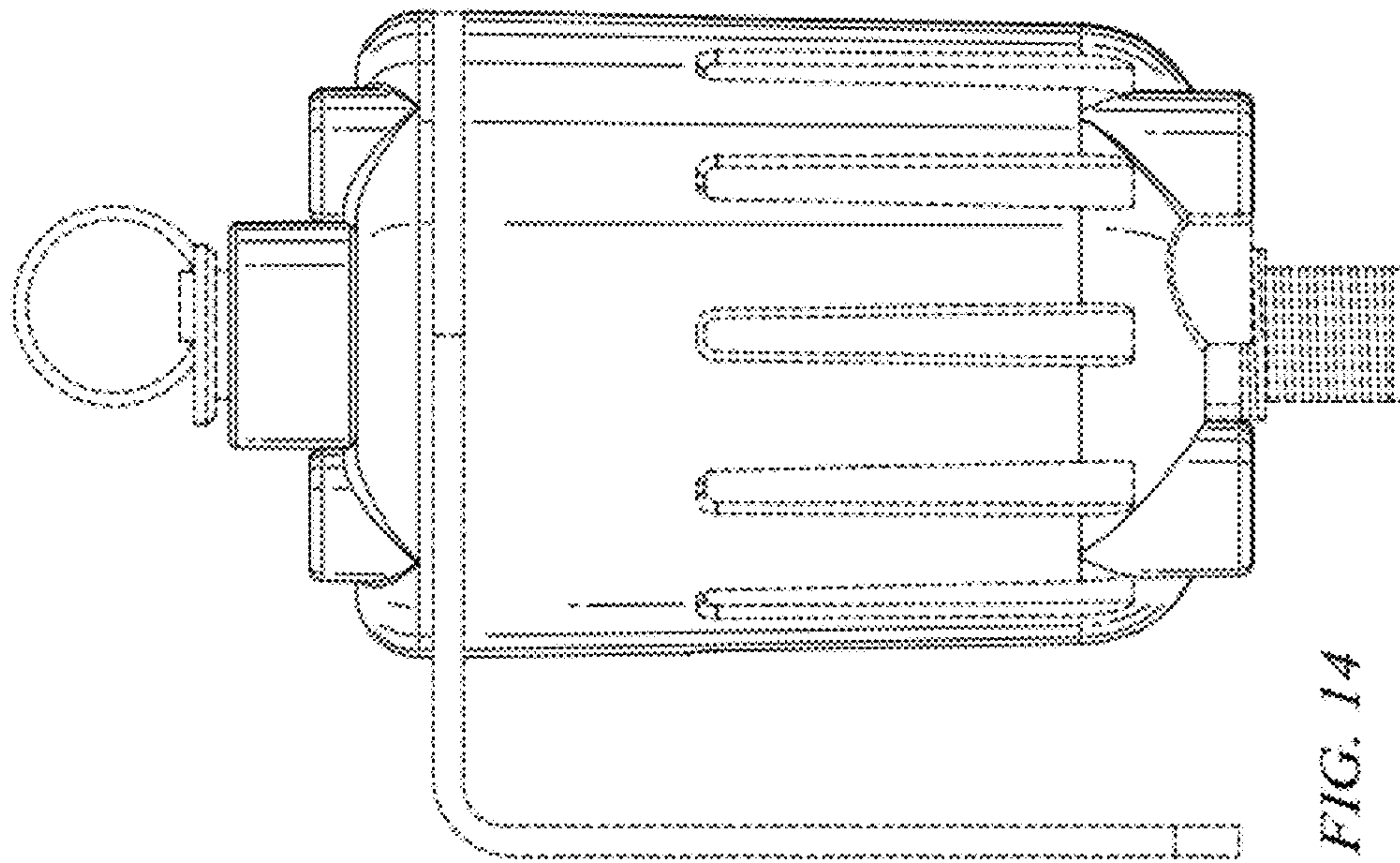


FIG. 14

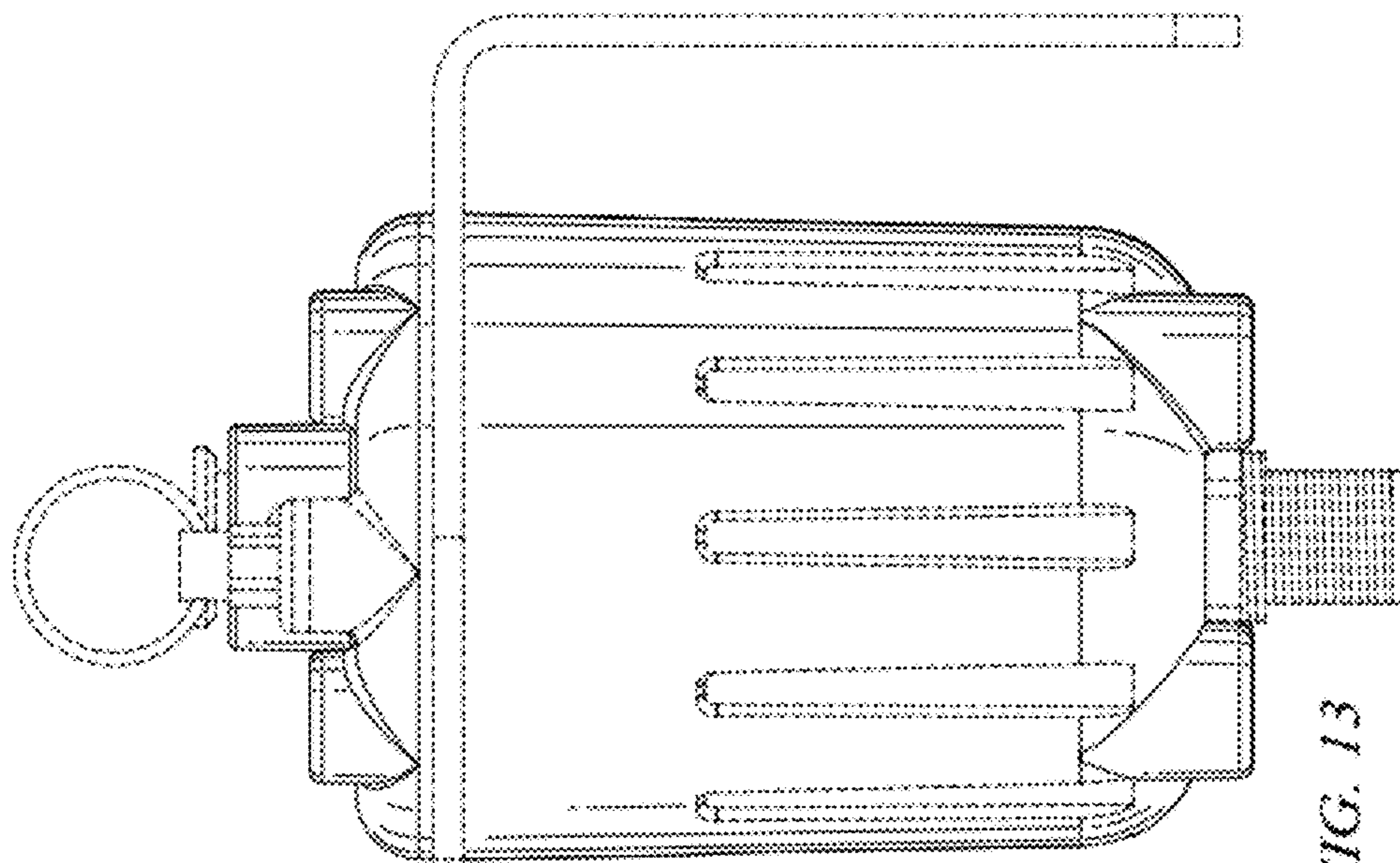


FIG. 13



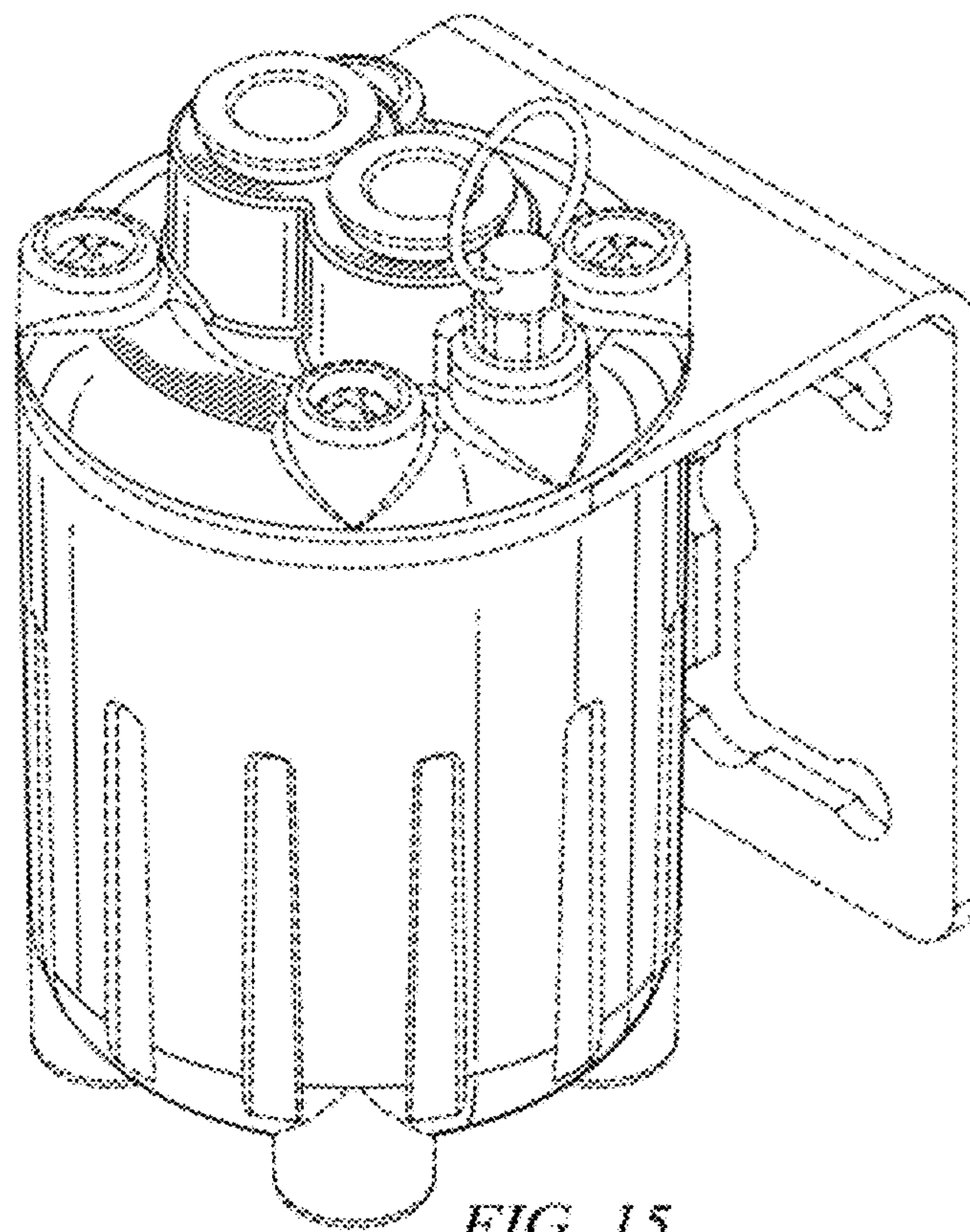


FIG. 15

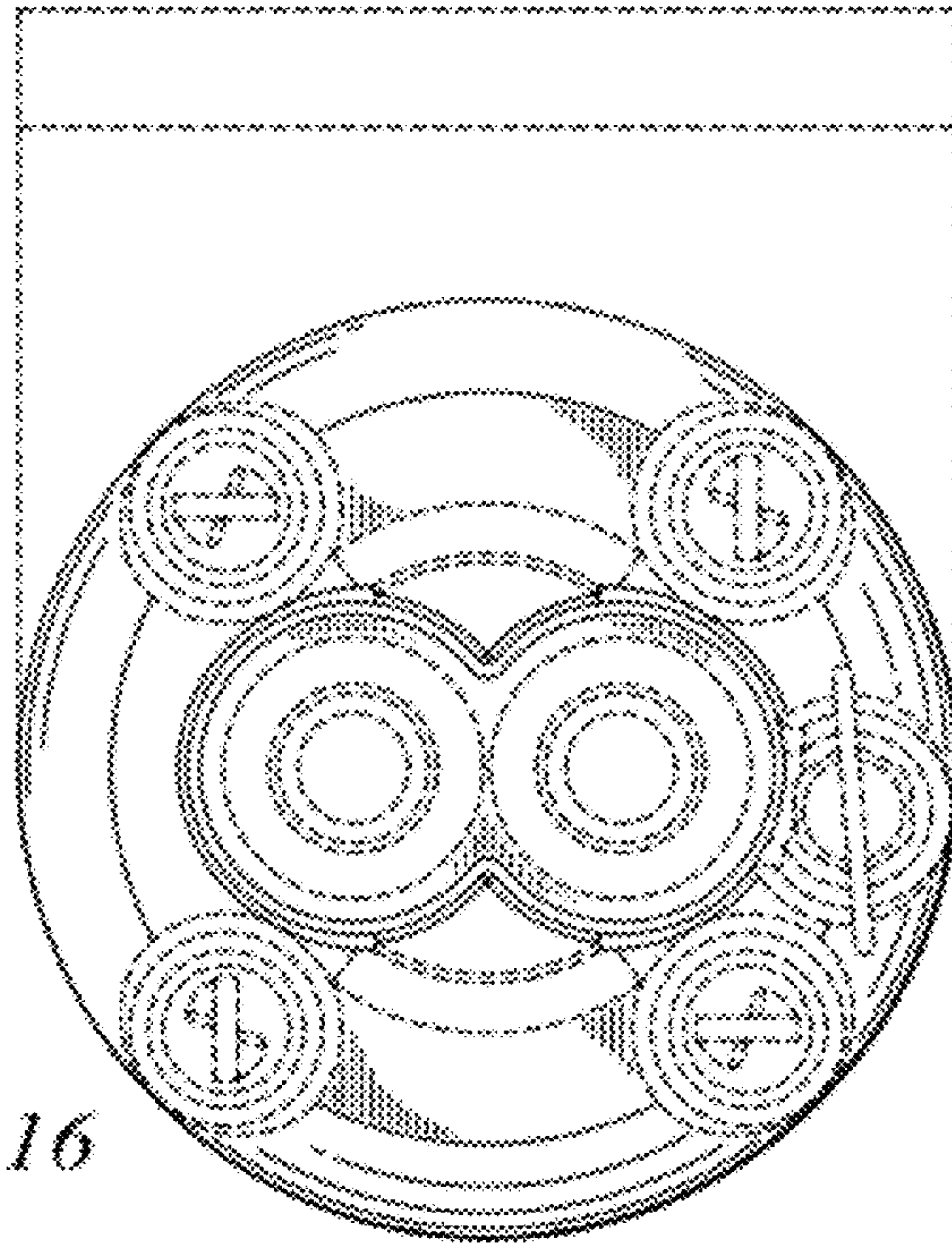


FIG. 16

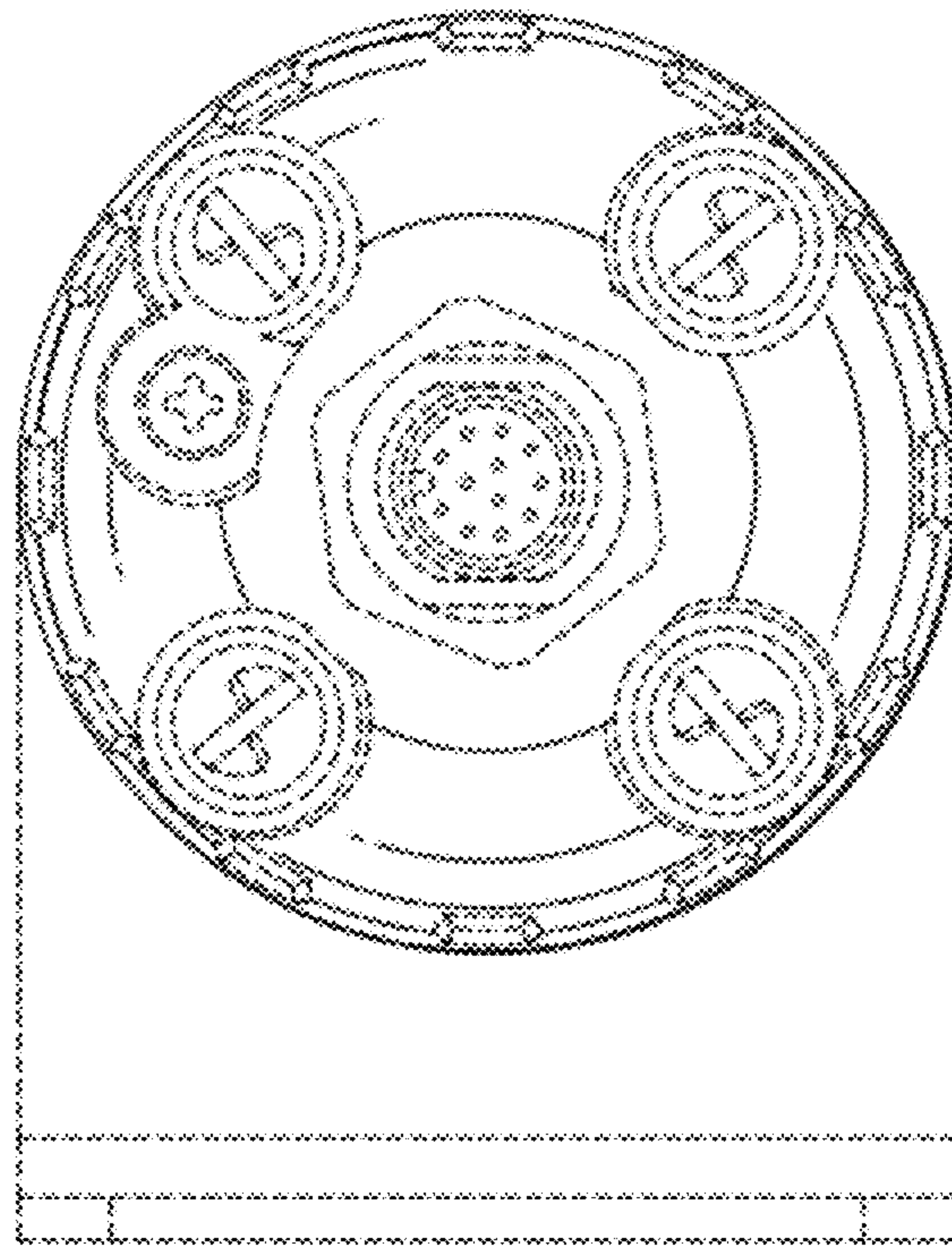


FIG. 17



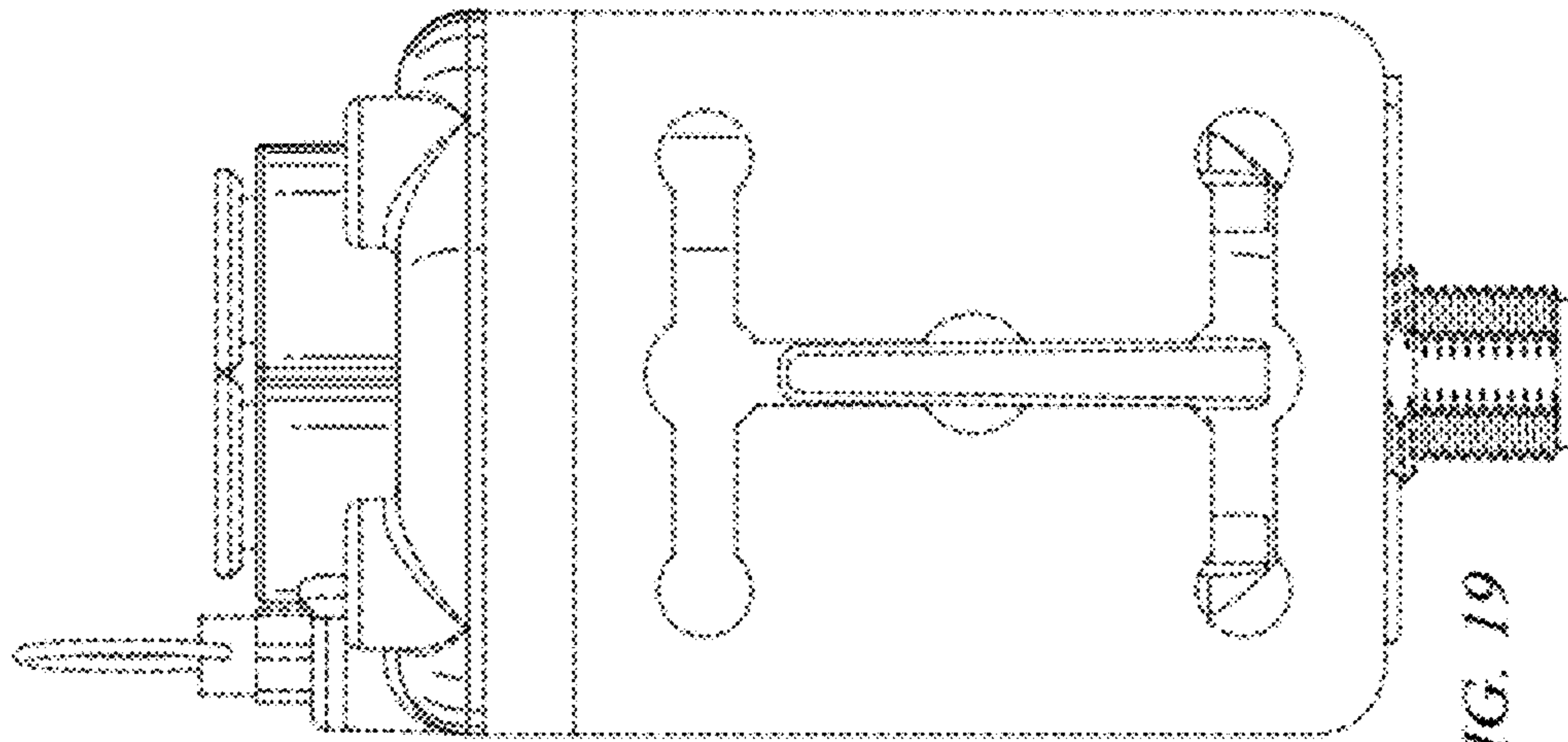


FIG. 19

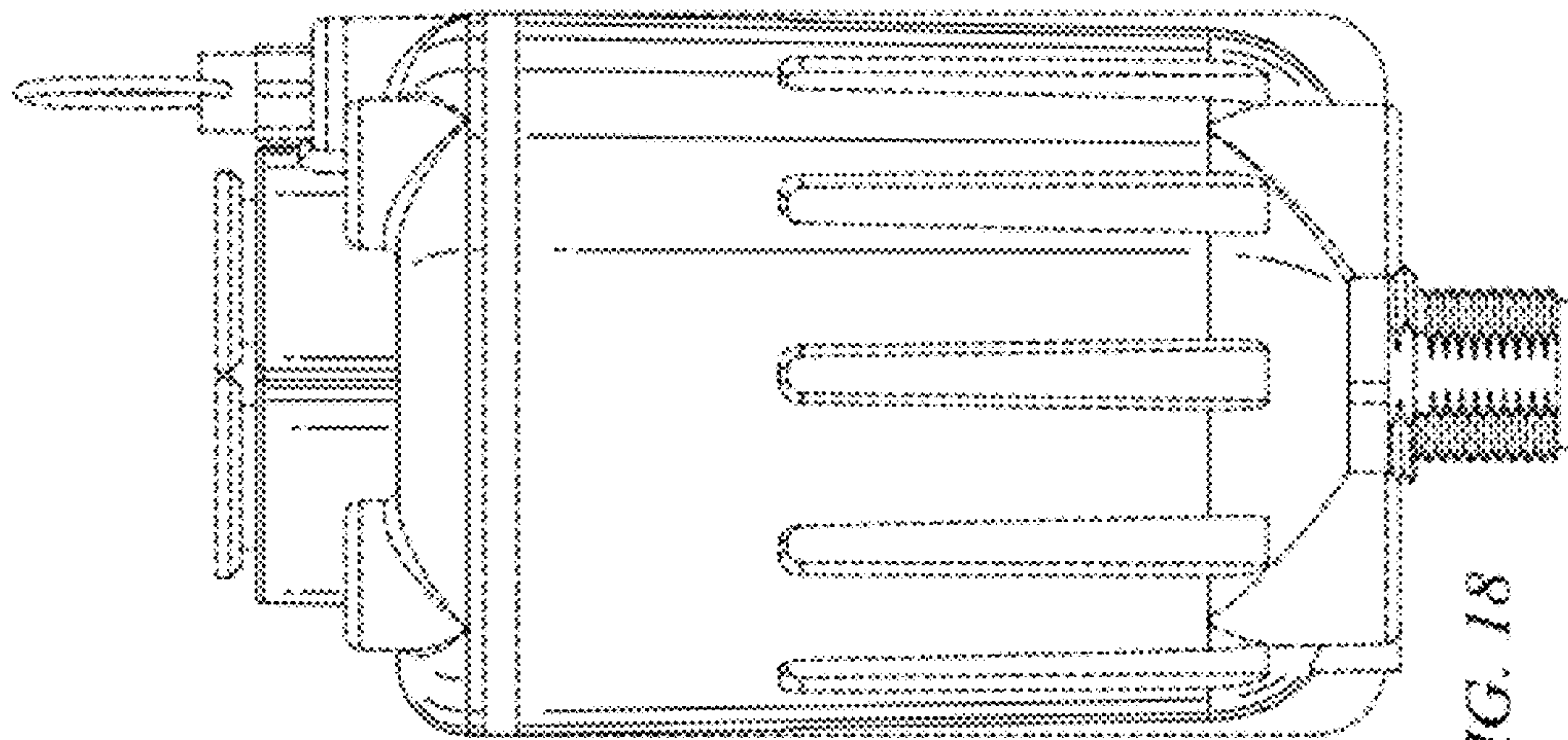


FIG. 18

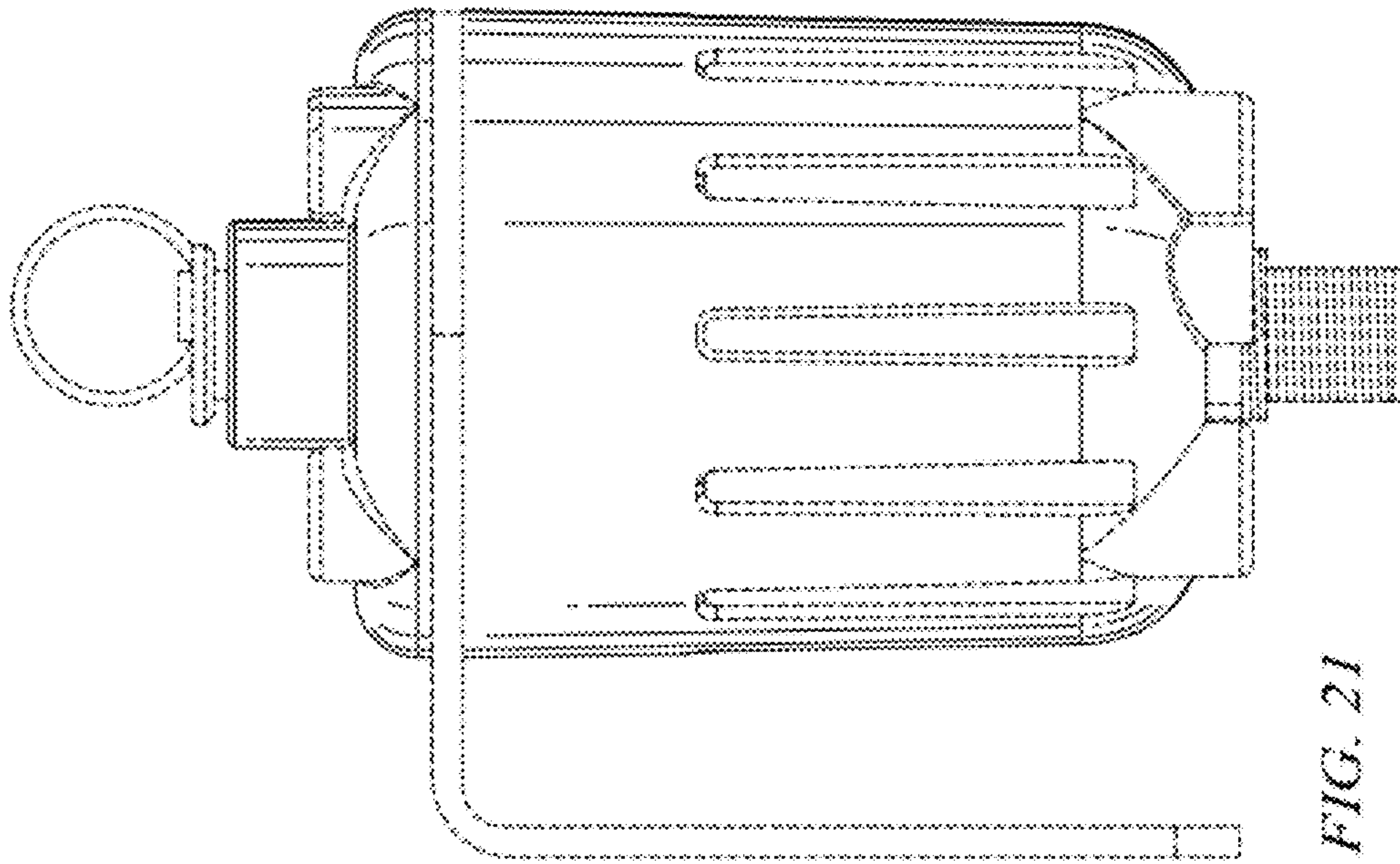


FIG. 21

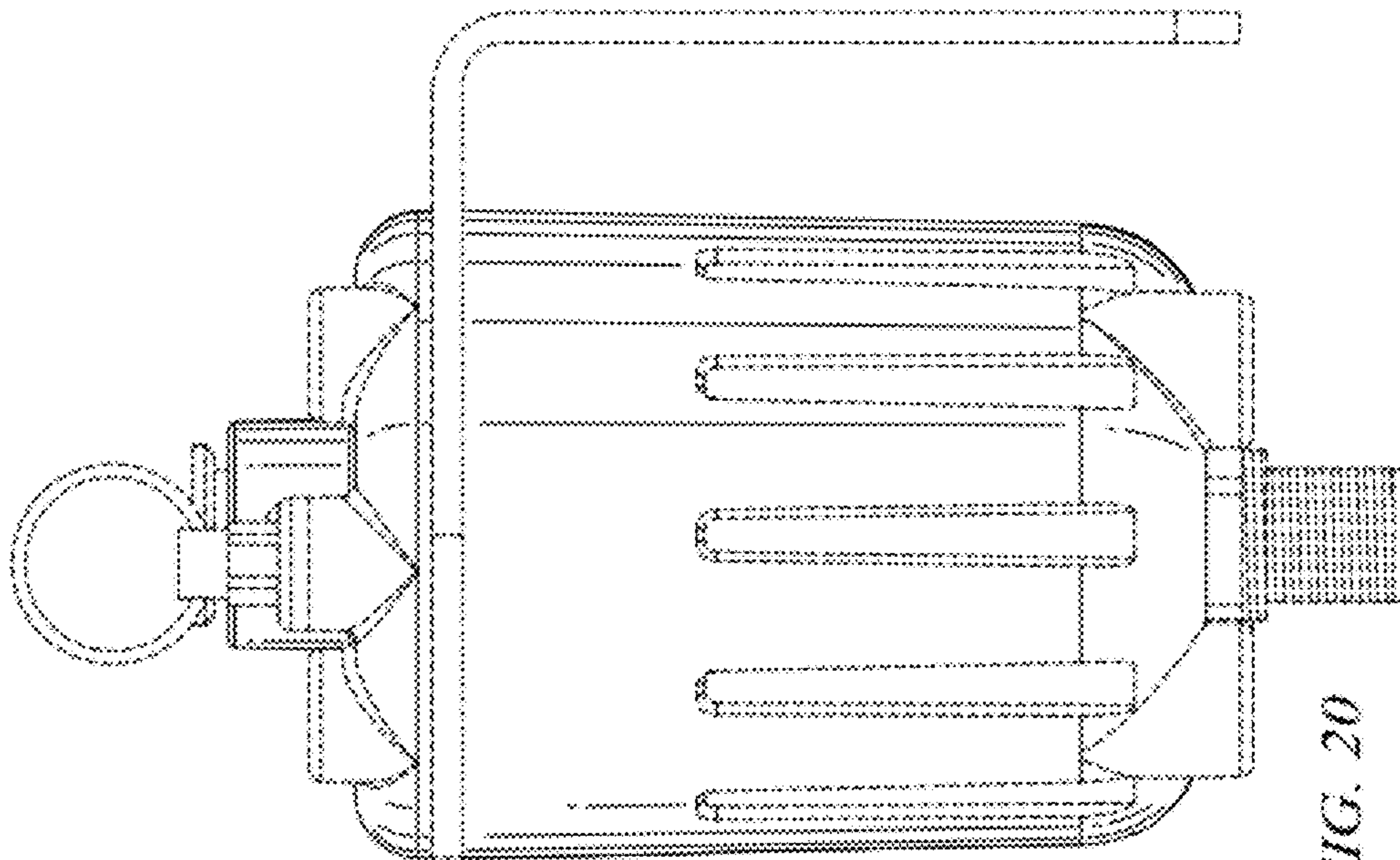


FIG. 20