



US00D668166S

(12) **United States Design Patent**  
**Huang**

(10) **Patent No.:** **US D668,166 S**

(45) **Date of Patent:** **\*\* Oct. 2, 2012**

(54) **HOOK WITH MAGNETIC FOR TAPE RULE**

(75) **Inventor:** **Jason Huang, Taipei (TW)**

(73) **Assignee:** **Index Measuring Tape Co., Ltd., Taipei (TW)**

(\*\*) **Term:** **14 Years**

(21) **Appl. No.:** **29/413,969**

(22) **Filed:** **Feb. 23, 2012**

(51) **LOC (9) Cl.** ..... **10-04**

(52) **U.S. Cl.** ..... **D10/74**

(58) **Field of Classification Search** ..... D10/72,  
D10/74; D8/394-395; 33/42, 486, 755-770  
See application file for complete search history.

(56) **References Cited**

**U.S. PATENT DOCUMENTS**

5,038,985	A *	8/1991	Chapin	.....	224/669
6,237,243	B1 *	5/2001	Cook	.....	33/770
D458,550	S *	6/2002	Hsu	.....	D10/72
D464,579	S *	10/2002	Martone	.....	D10/72
D567,122	S *	4/2008	Lee	.....	D10/72
D617,224	S *	6/2010	Delneo et al.	.....	D10/74

8,117,763	B2 *	2/2012	Delneo et al.	.....	33/758
8,127,461	B1 *	3/2012	Peri	.....	33/770
2007/0079520	A1 *	4/2007	Levine et al.	.....	33/770
2008/0086904	A1 *	4/2008	Murray	.....	33/767
2009/0288307	A1 *	11/2009	Zhou	.....	33/758
2011/0179664	A1 *	7/2011	Delneo et al.	.....	33/770

\* cited by examiner

*Primary Examiner* — Antoine D Davis

(74) *Attorney, Agent, or Firm* — Bacon & Thomas, PLLC

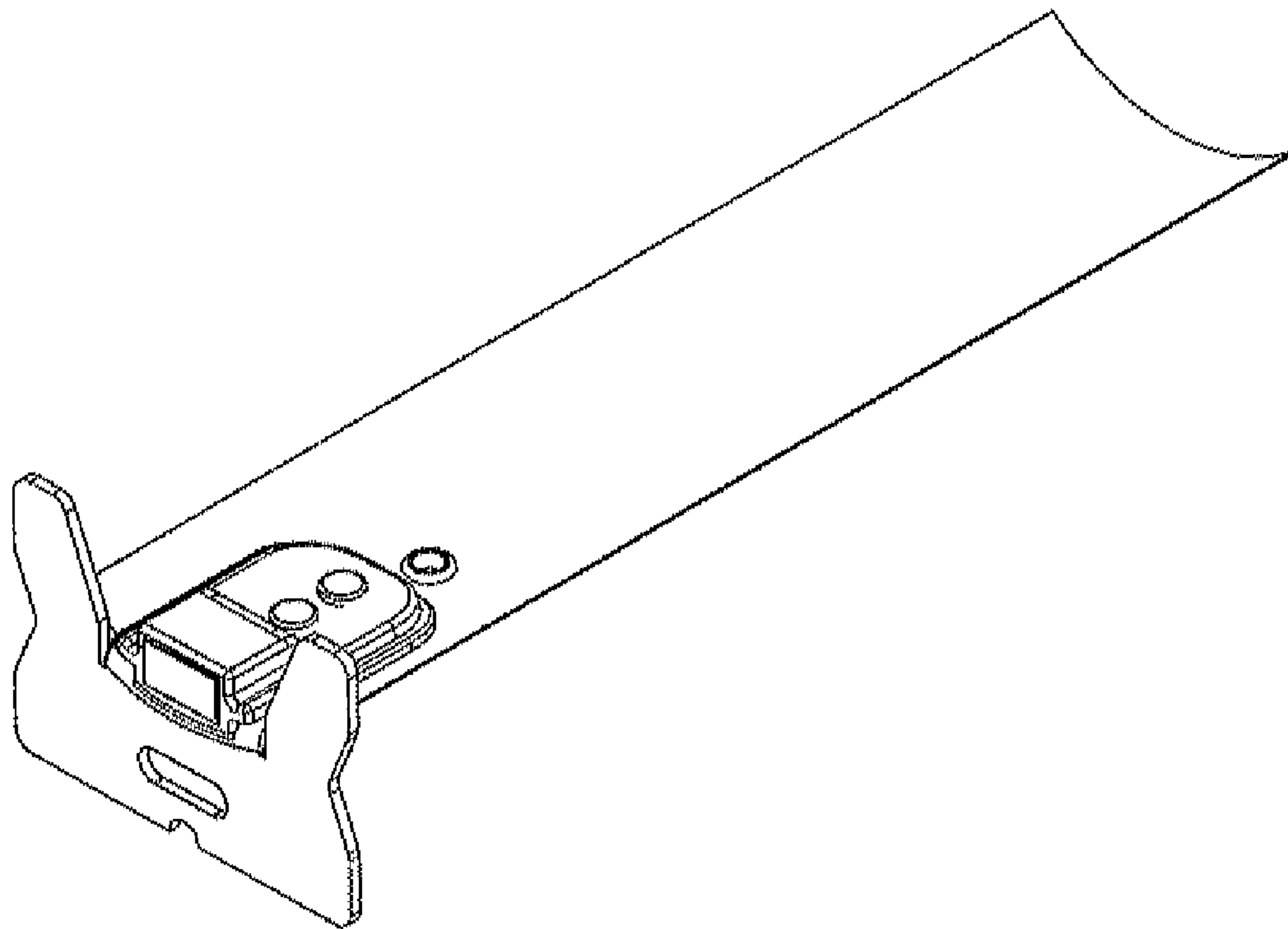
(57) **CLAIM**

The ornamental design for a hook with magnetic for tape rule, as shown and described.

**DESCRIPTION**

FIG. 1 is an elevational view of a hook with magnetic for tape rule showing my new design;  
FIG. 2 is a front elevational view thereof;  
FIG. 3 is the rear elevational view thereof;  
FIG. 4 is a left side elevational view thereof;  
FIG. 5 is a right side elevational view thereof;  
FIG. 6 is a top plan elevational view thereof; and,  
FIG. 7 is a bottom plan elevational view thereof.

**1 Claim, 6 Drawing Sheets**



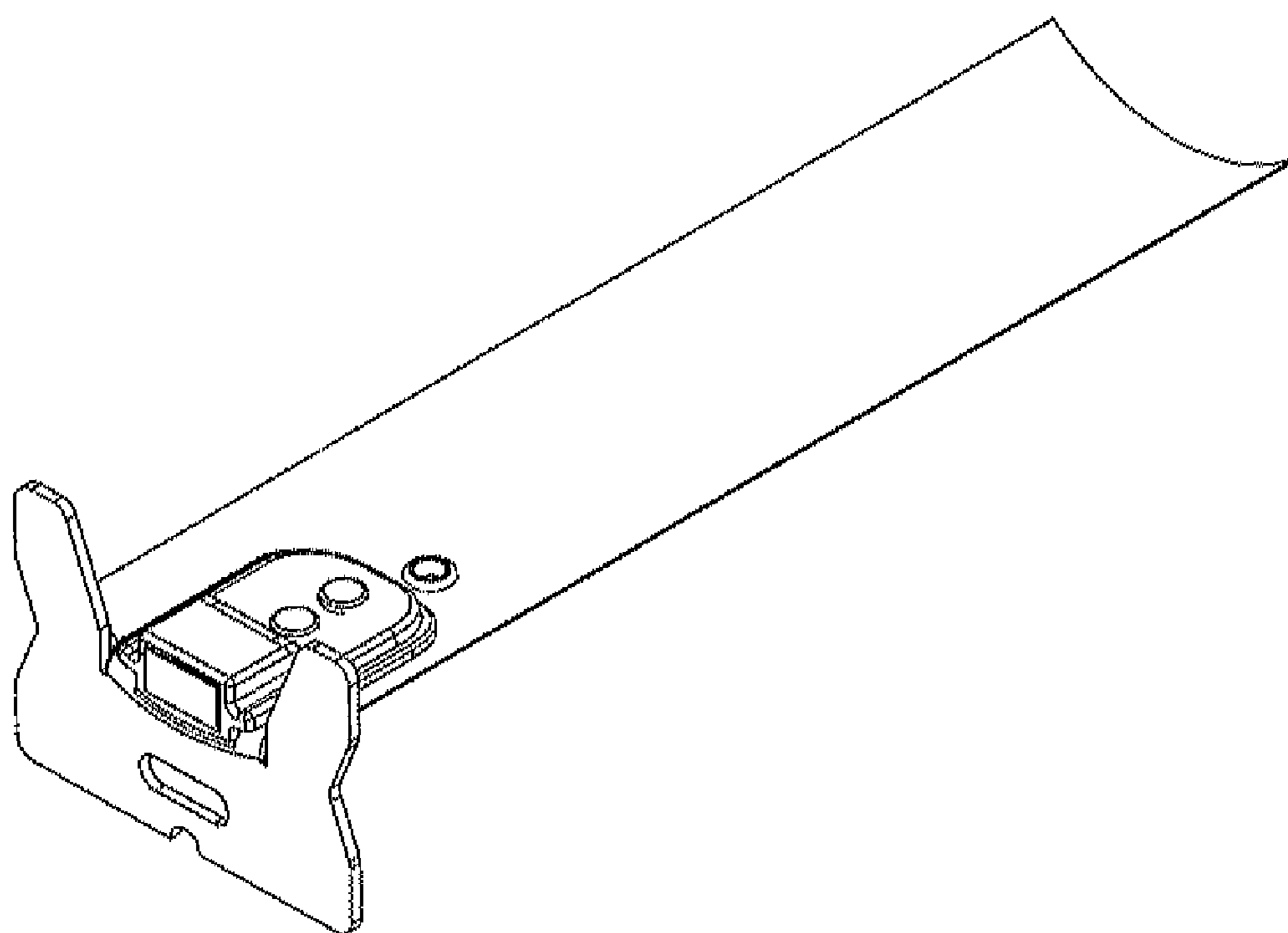


FIG. 1

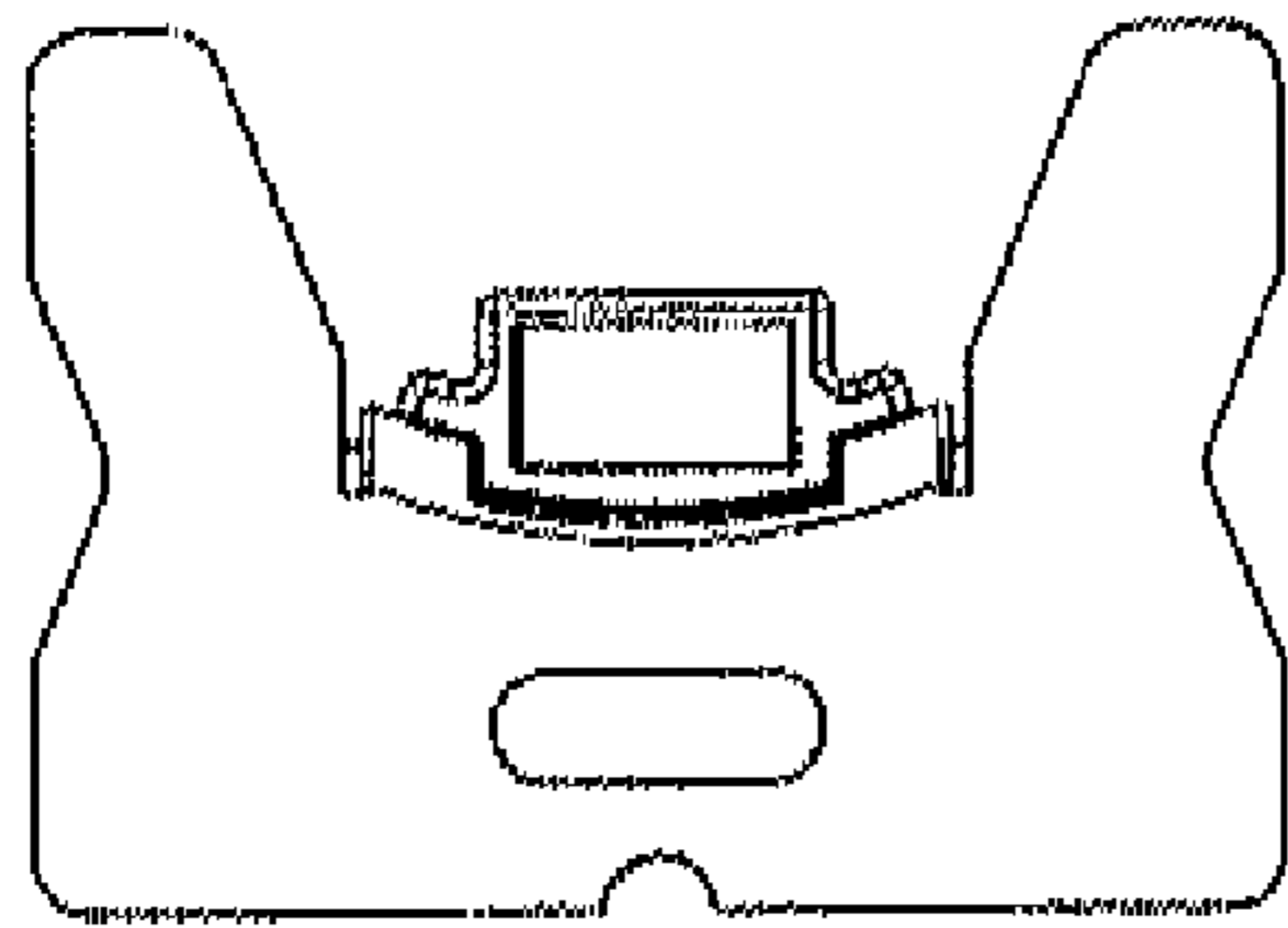


FIG. 2

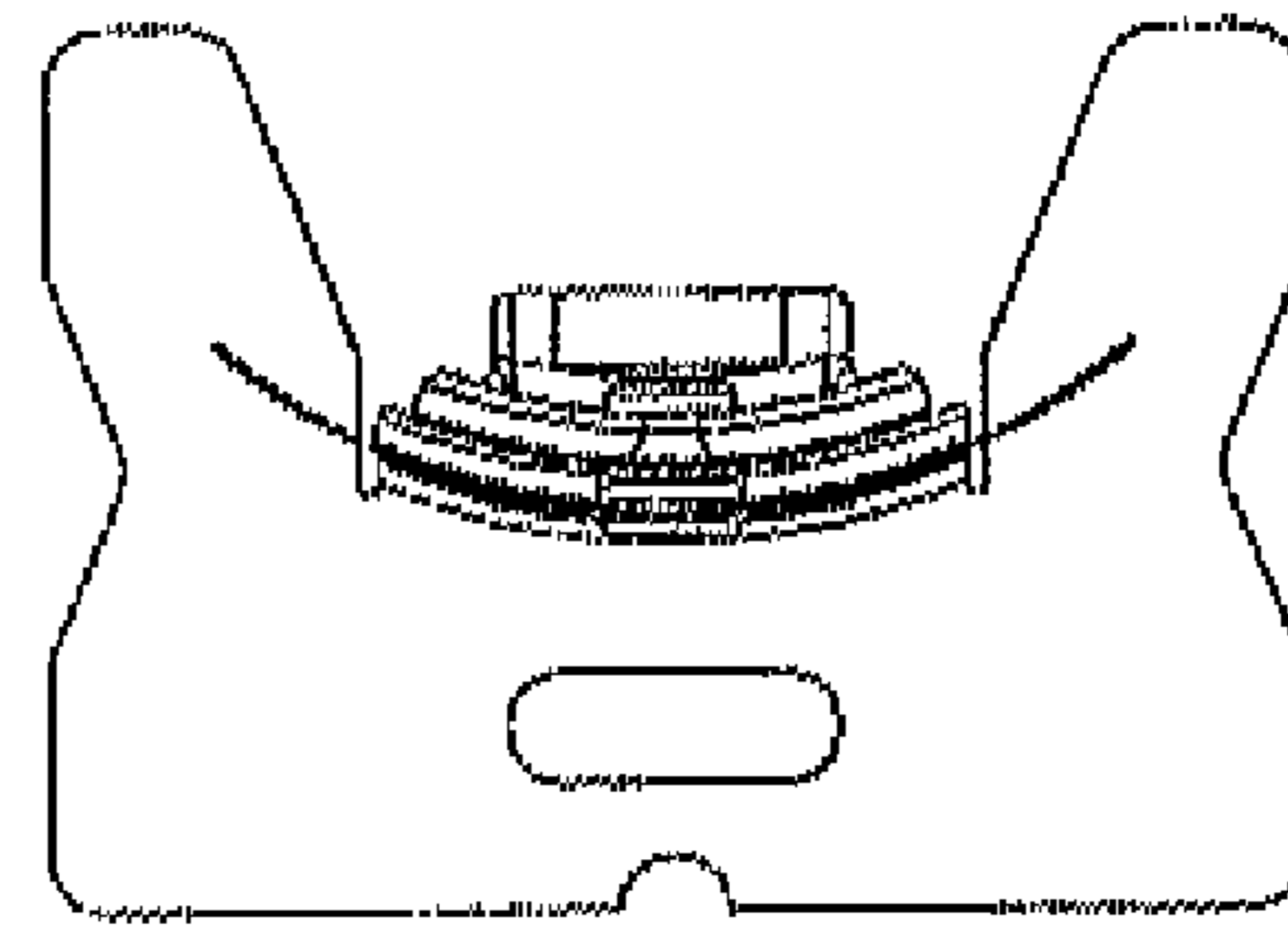


FIG. 3

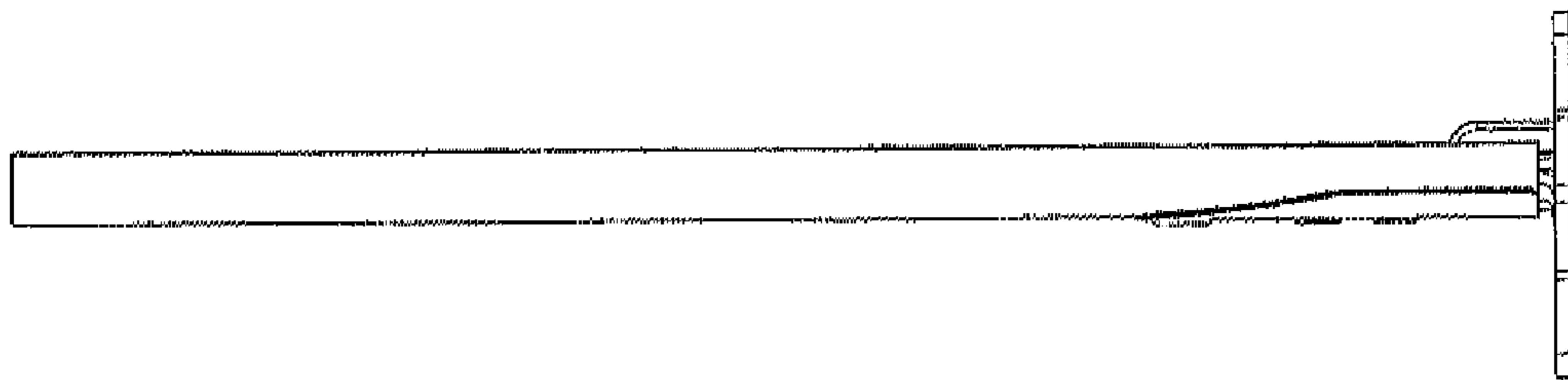


FIG. 4

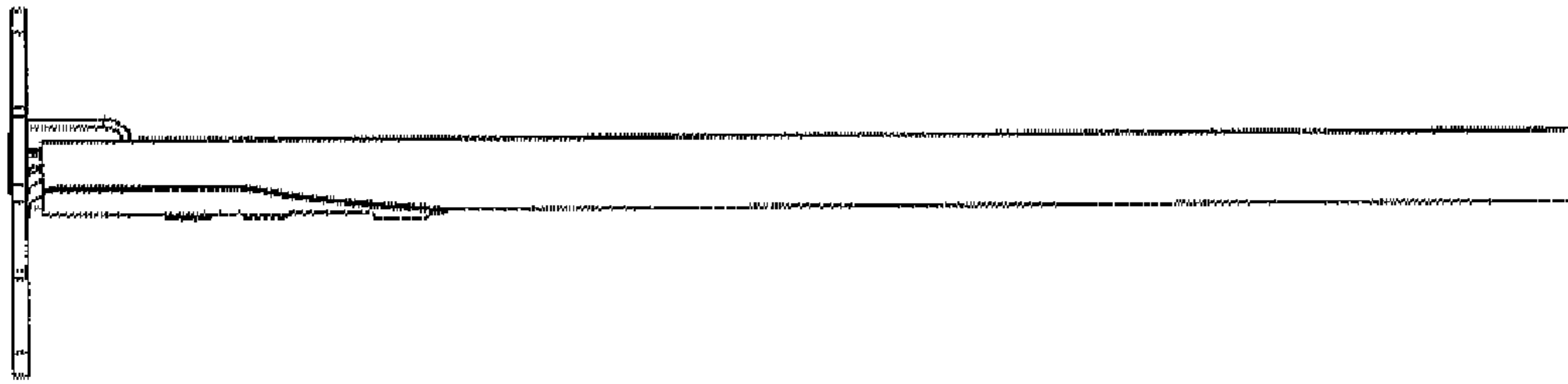


FIG. 5

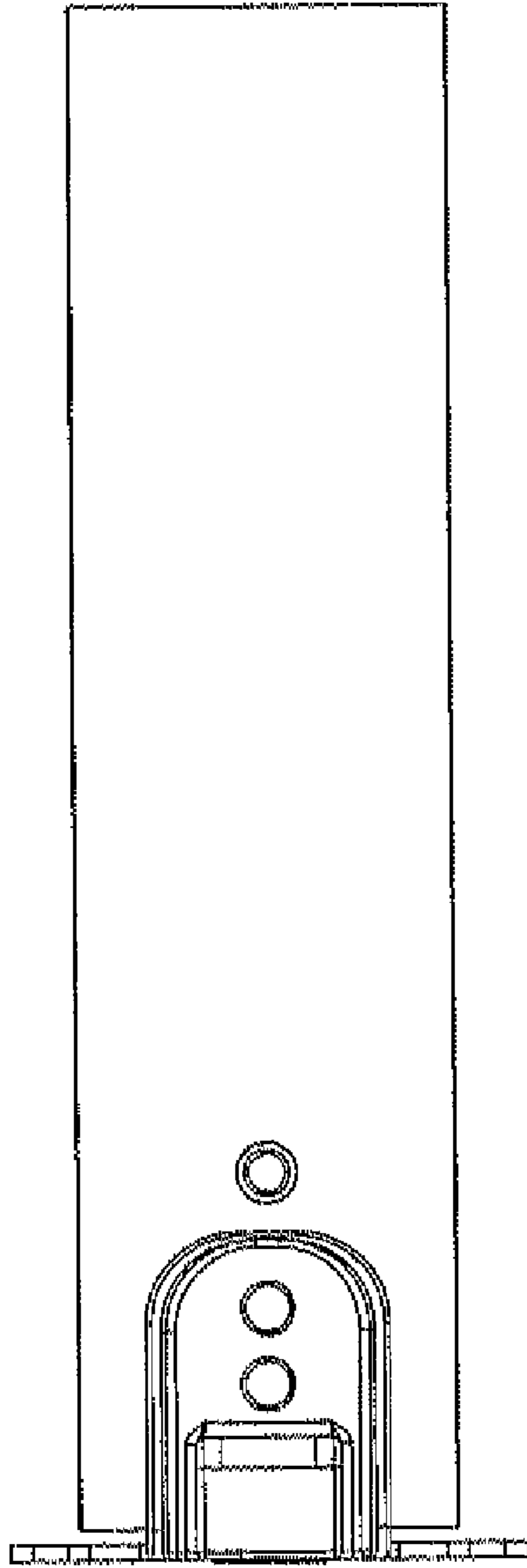


FIG. 6

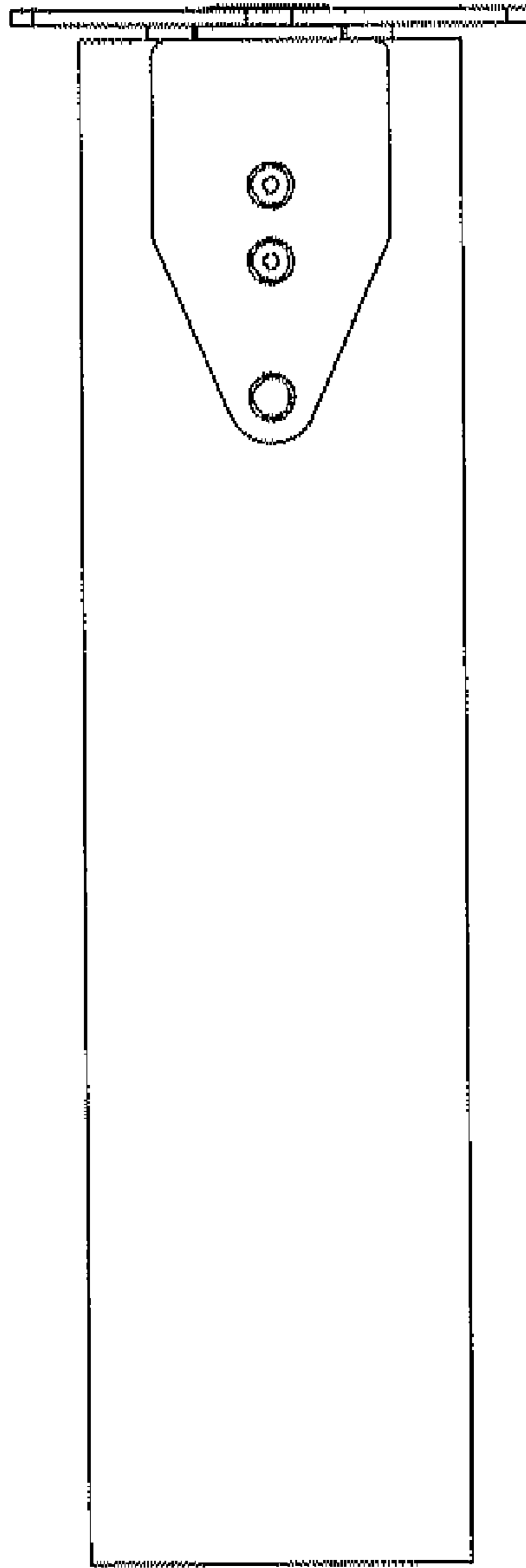


FIG. 7