

US00D668165S

(12) **United States Design Patent**
Hewson

(10) **Patent No.:** **US D668,165 S**
(45) **Date of Patent:** **** Oct. 2, 2012**

(54) **FINGER GUARD FOR TAPE MEASURE**

(76) Inventor: **Bruce R. Hewson**, Wyoming, MN (US)

(**) Term: **14 Years**

(21) Appl. No.: **29/399,332**

(22) Filed: **Aug. 12, 2011**

(51) **LOC (9) Cl.** **10-04**

(52) **U.S. Cl.** **D10/74**

(58) **Field of Classification Search** D10/72,
D10/74; D8/394-395; 33/42, 486, 755-770

See application file for complete search history.

(56) **References Cited**

U.S. PATENT DOCUMENTS

429,087	A	5/1890	Dickins	
523,380	A	7/1894	Snell	
3,192,630	A	7/1965	Dineson	
D275,460	S *	9/1984	Cohen	D10/72
5,189,801	A	3/1993	Nicely	
D350,703	S *	9/1994	Fifer	D10/72
5,349,760	A *	9/1994	DeVito	33/760
D462,911	S *	9/2002	Odachowski	D10/72
6,497,050	B1	12/2002	Ricalde	
D470,427	S *	2/2003	Scurry	D10/72
6,944,961	B2	9/2005	Carroll	
6,996,915	B2	2/2006	Ricalde	

7,024,792 B2 4/2006 Graham
7,168,182 B2 * 1/2007 Kilpatrick et al. 33/770
D607,354 S * 1/2010 Noguchi D10/72

* cited by examiner

Primary Examiner — Antoine D Davis

(74) *Attorney, Agent, or Firm* — Montgomery Patent & Design, LLC; Robert C. Montgomery; Joseph Yaksich

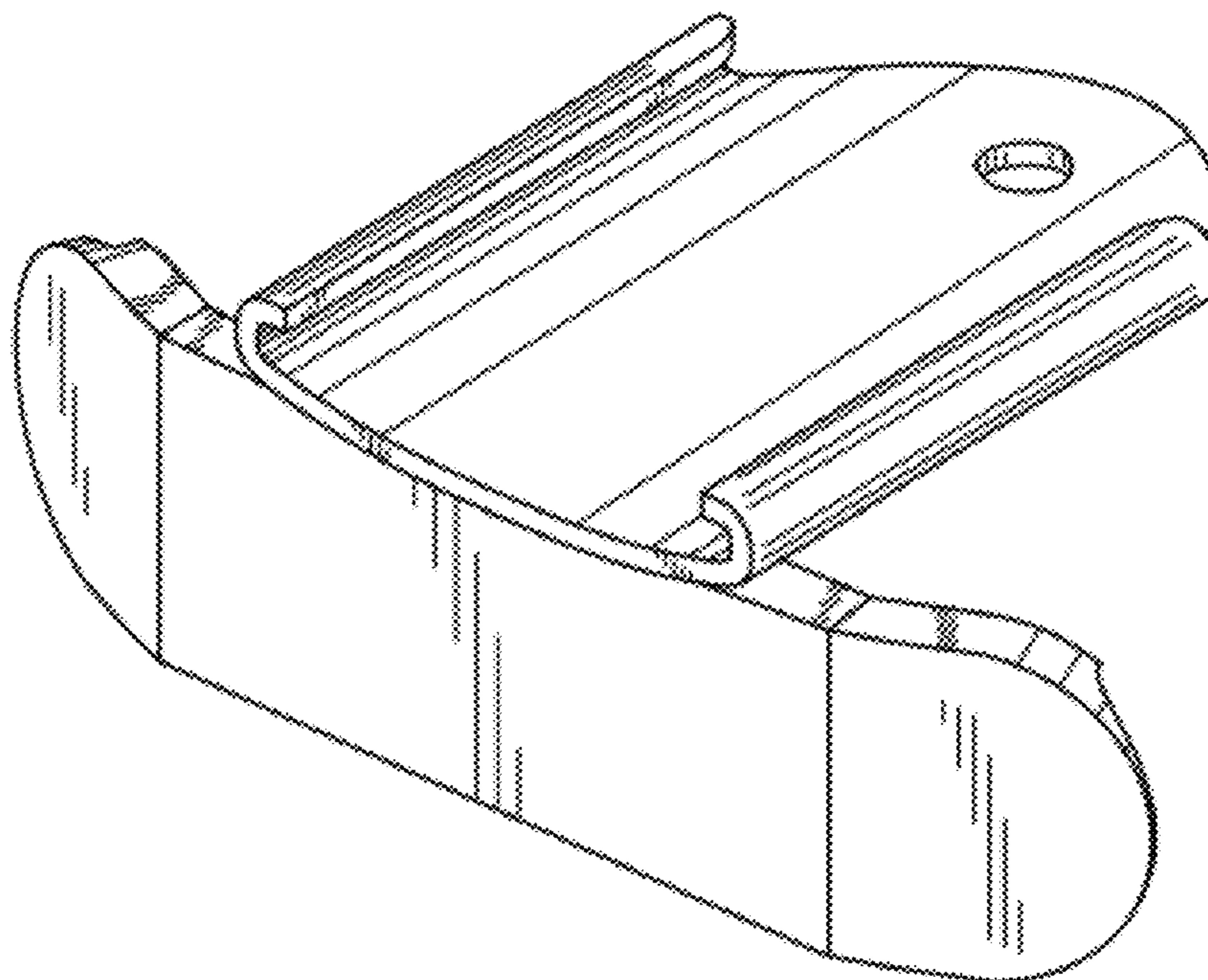
(57) **CLAIM**

The ornamental design for a finger guard for tape measure, as shown and described.

DESCRIPTION

FIG. 1 is a front perspective view of a finger guard for tape measure, showing my new design;
FIG. 2 is a bottom, rear perspective view thereof;
FIG. 3 is a top, front perspective view thereof;
FIG. 4 is a top, rear perspective view thereof;
FIG. 5 is a top, side perspective view thereof;
FIG. 6 is a bottom, side perspective view thereof;
FIG. 7 is a front view thereof;
FIG. 8 is a rear view thereof;
FIG. 9 is a left side view thereof with a right side view being a mirror image;
FIG. 10 is a top view thereof; and,
FIG. 11 is a bottom view thereof.

1 Claim, 9 Drawing Sheets



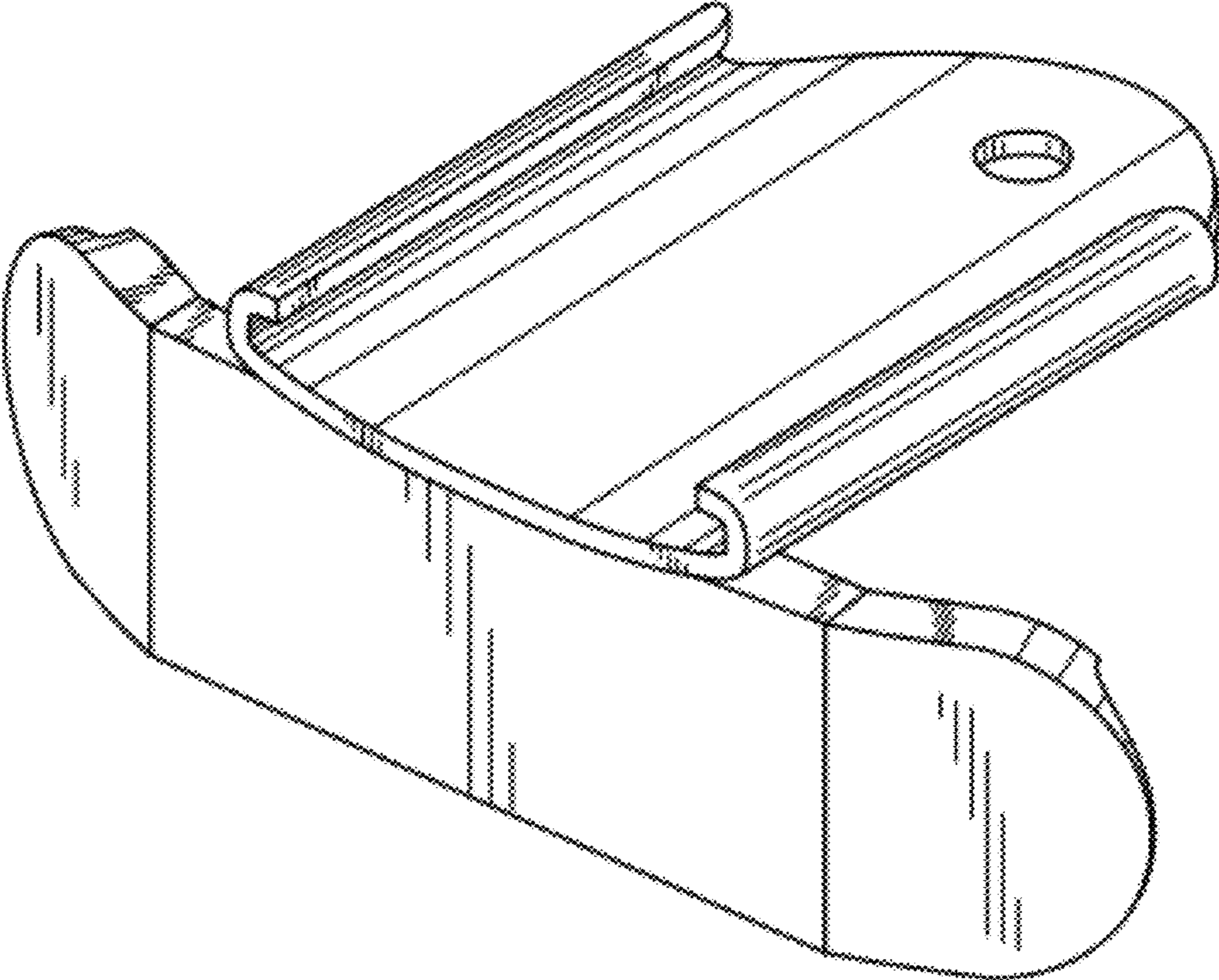


Fig. 1

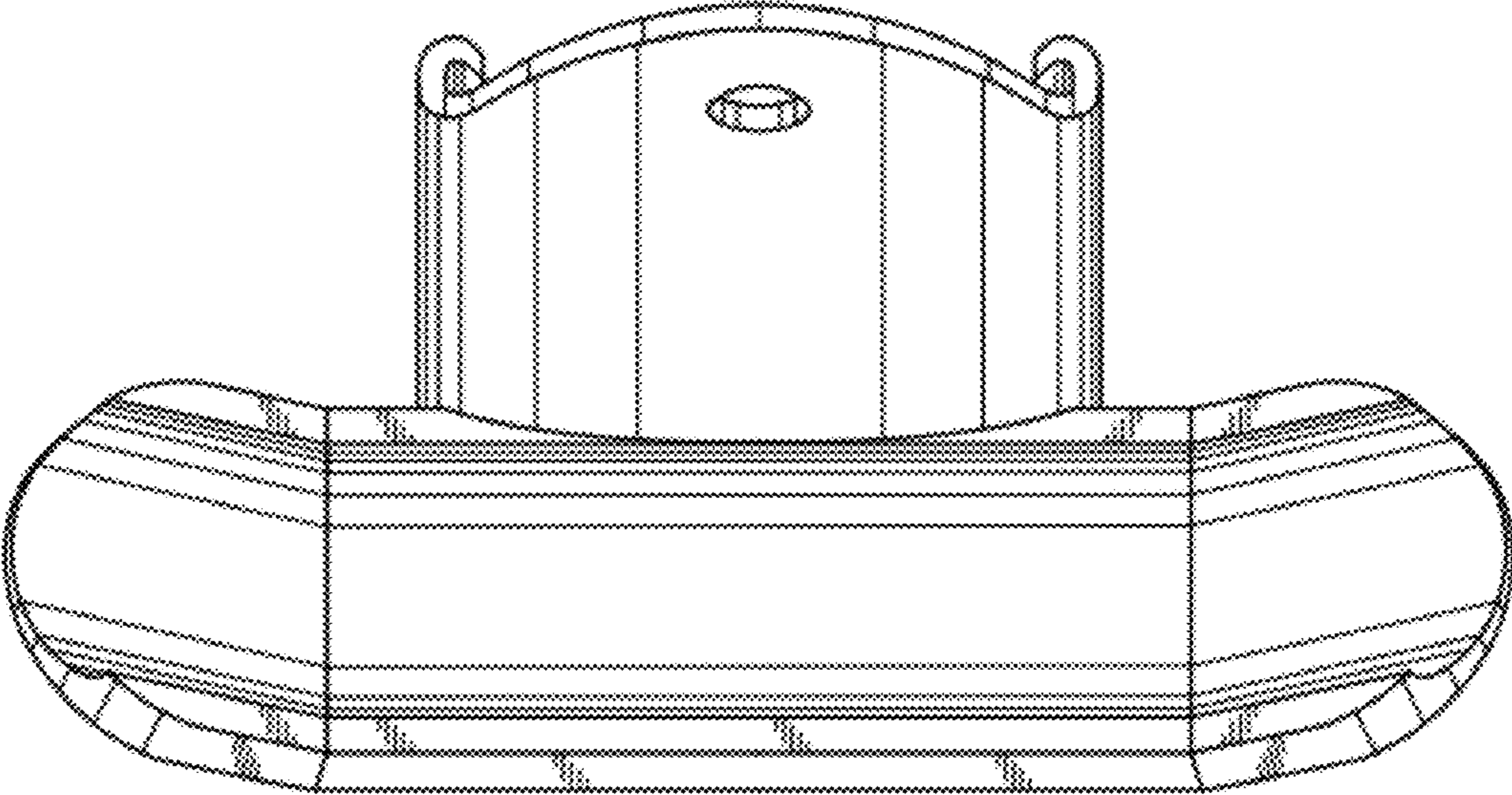


Fig. 2

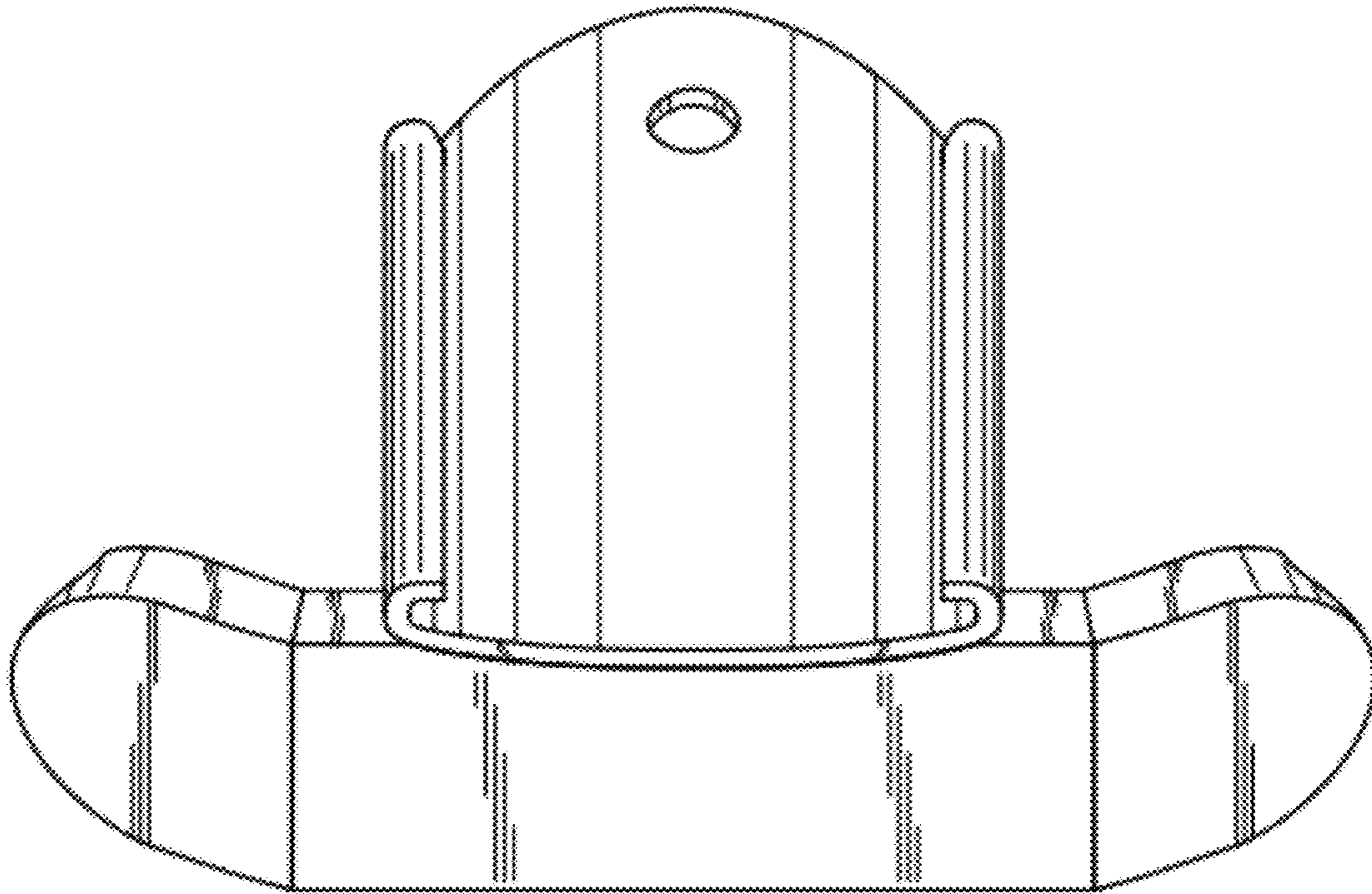


Fig. 3

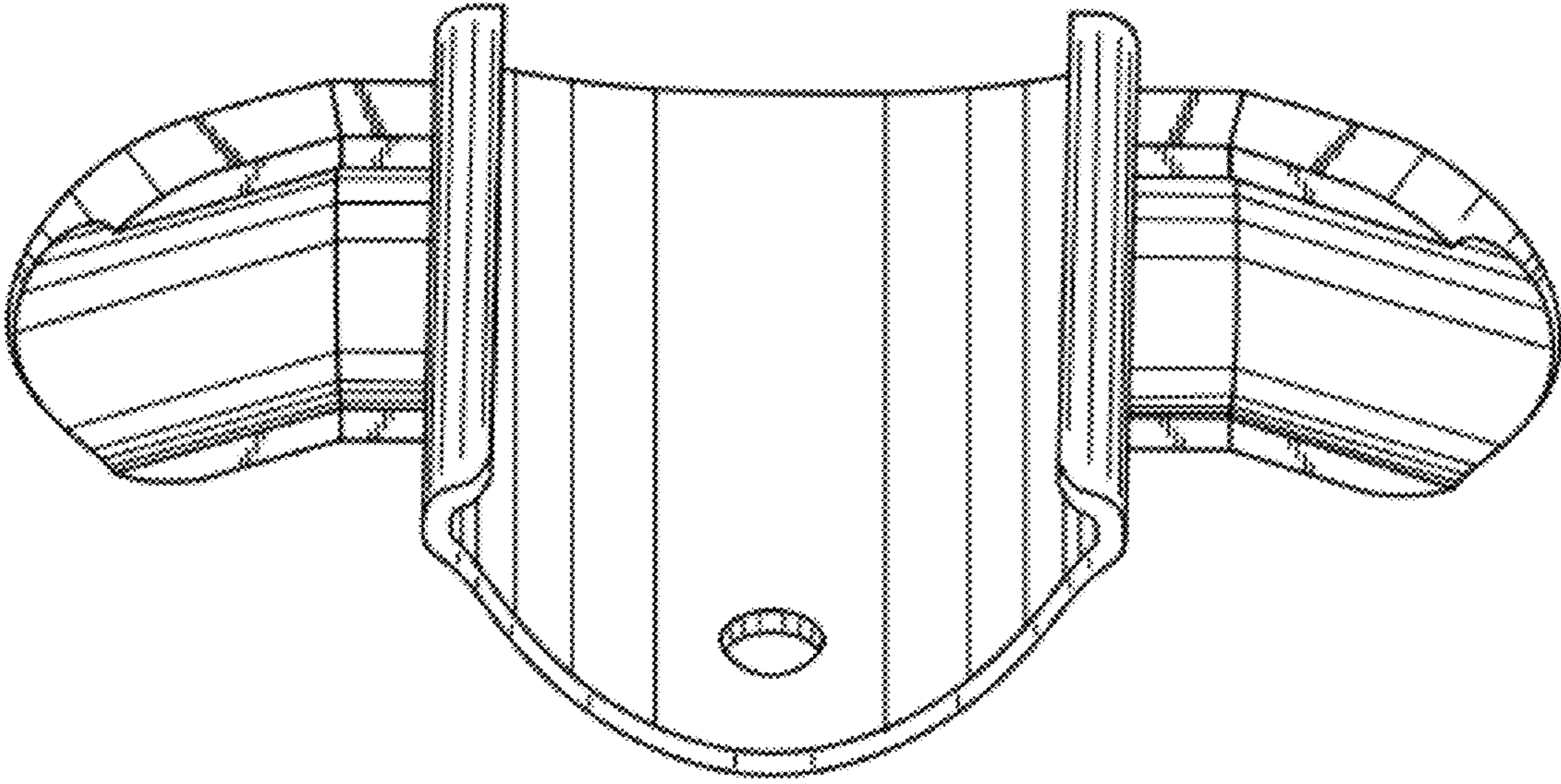


Fig. 4

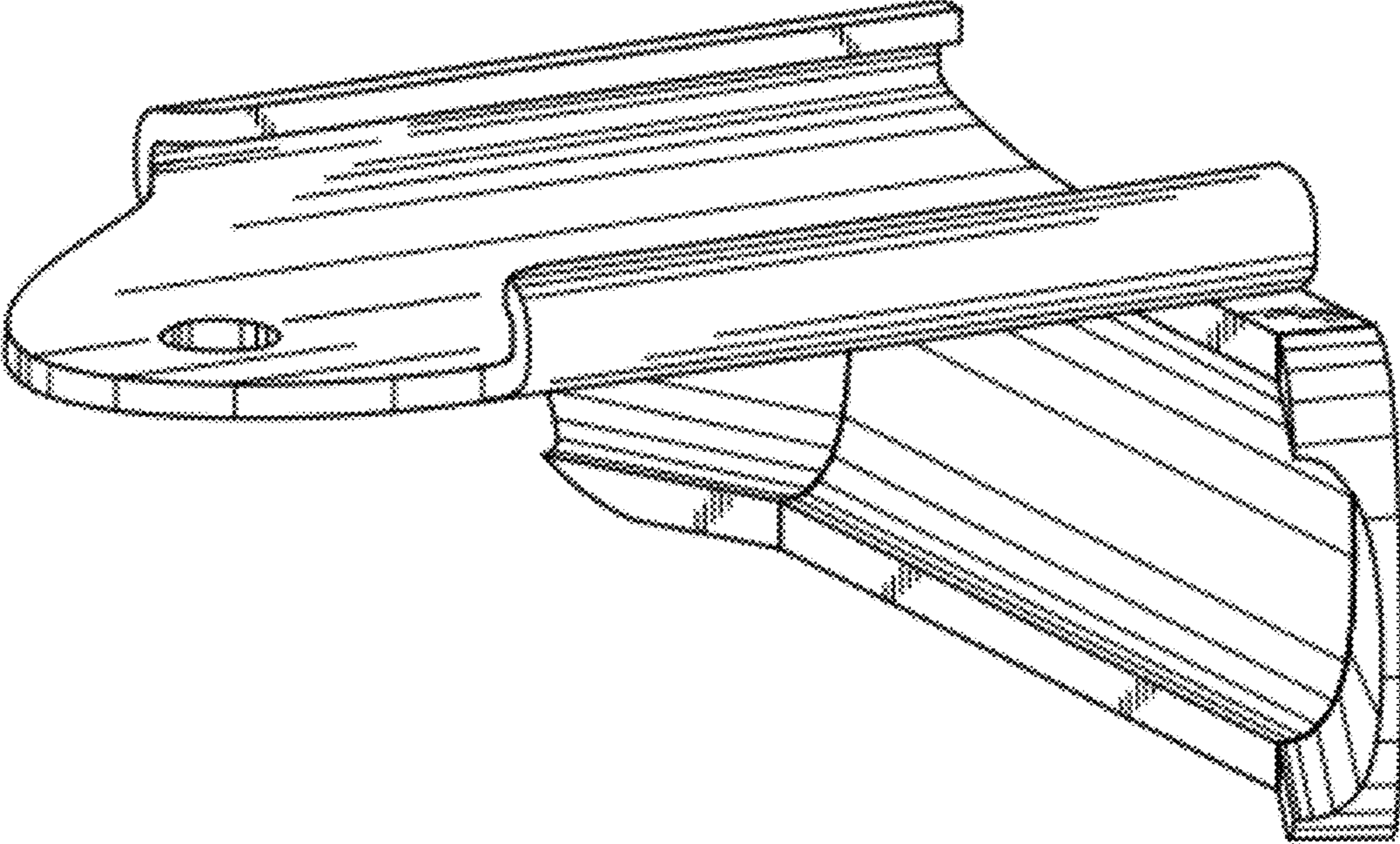


Fig. 5

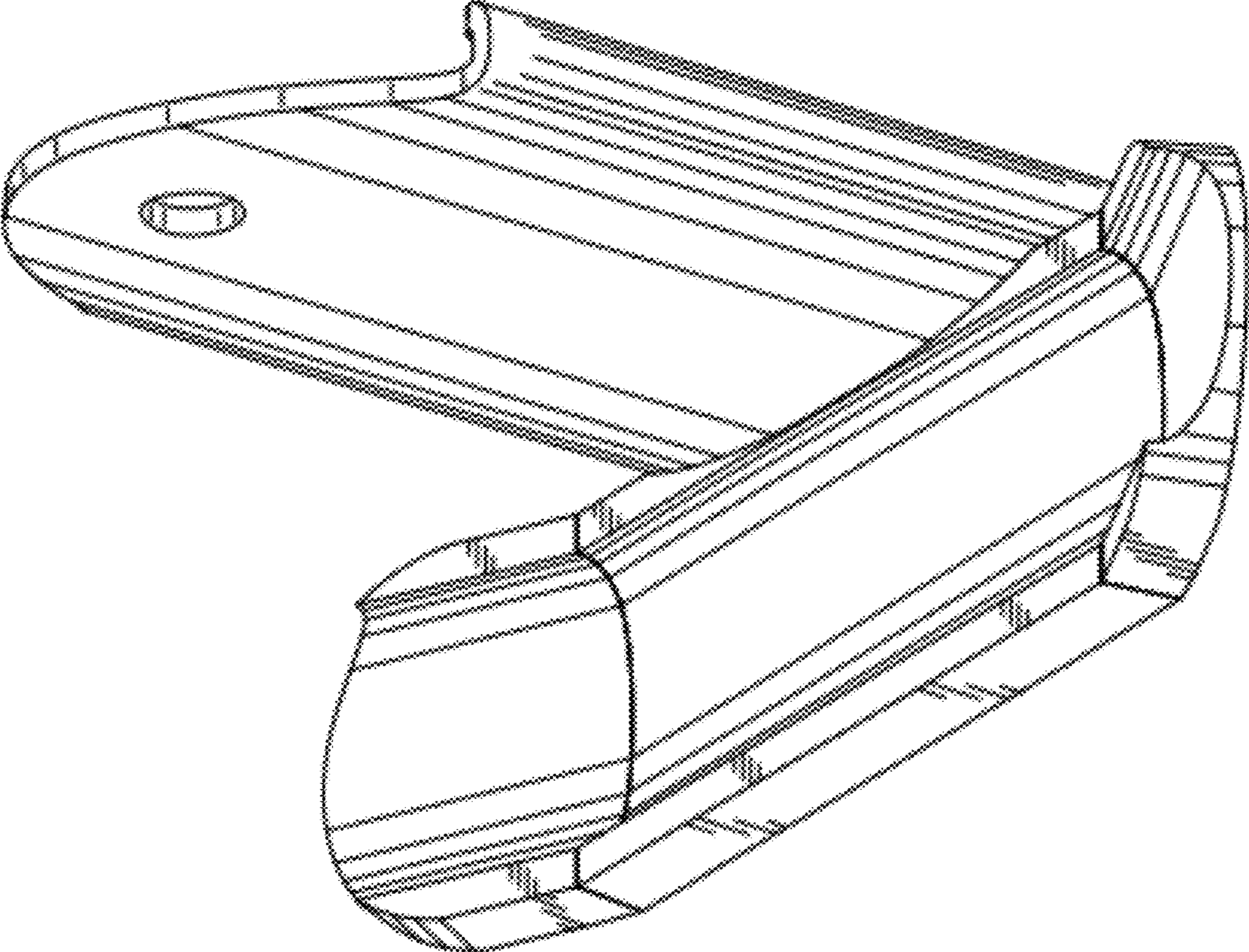


Fig. 6

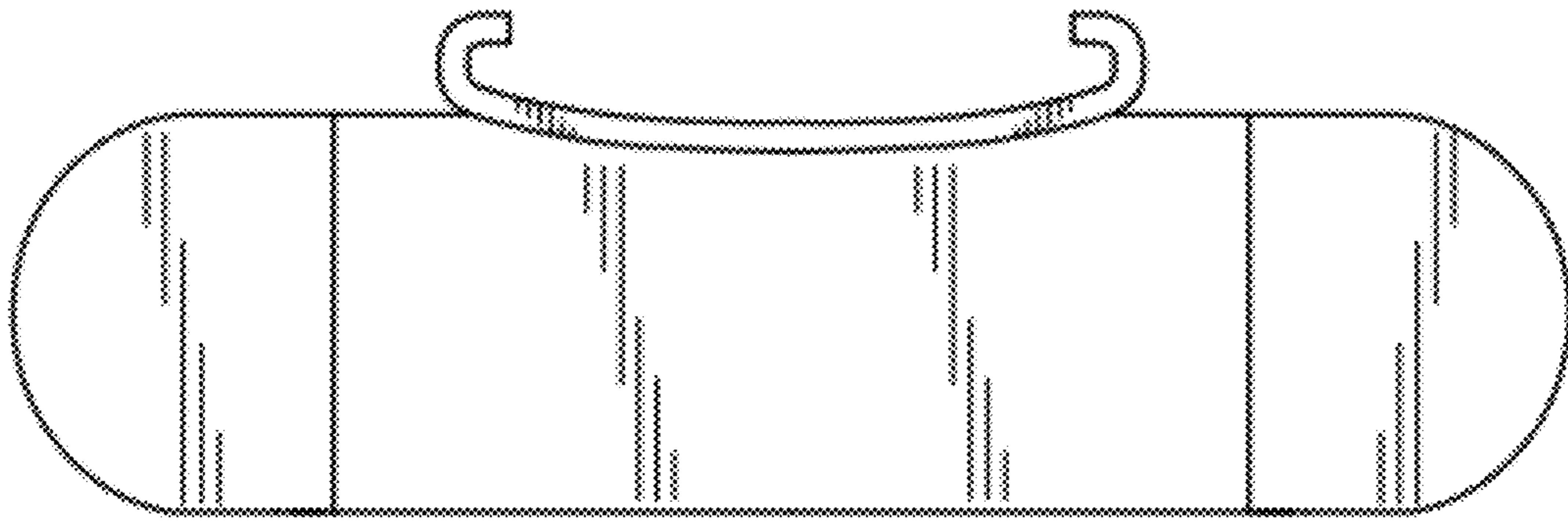


Fig. 7

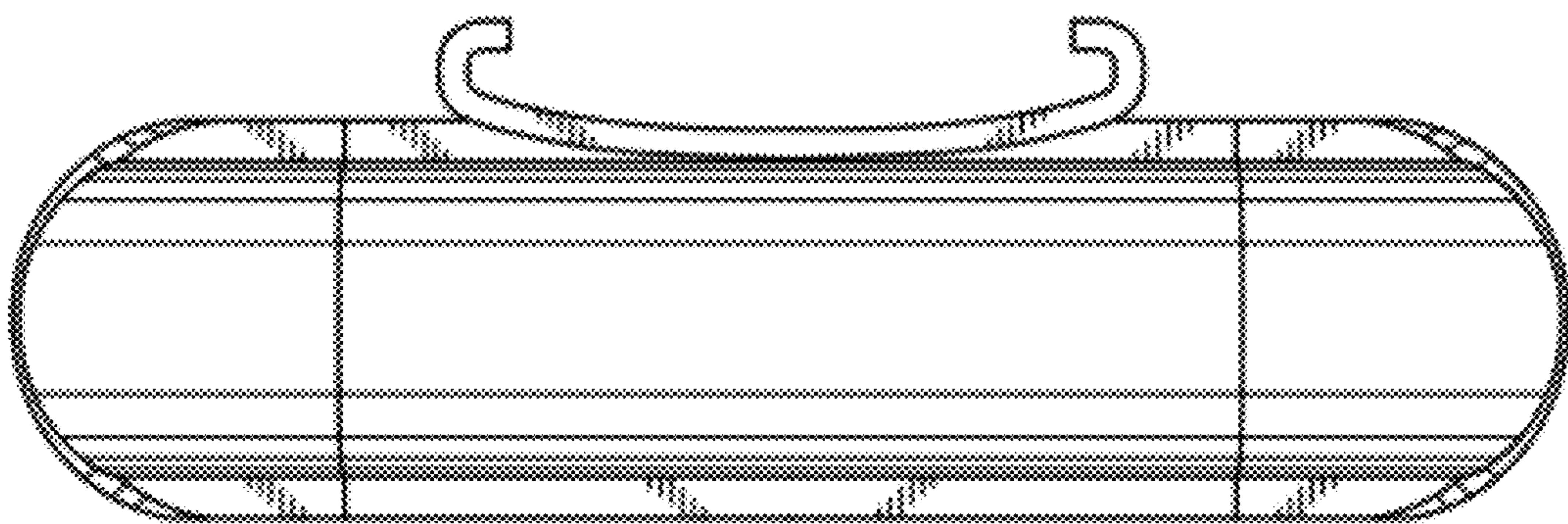


Fig. 8

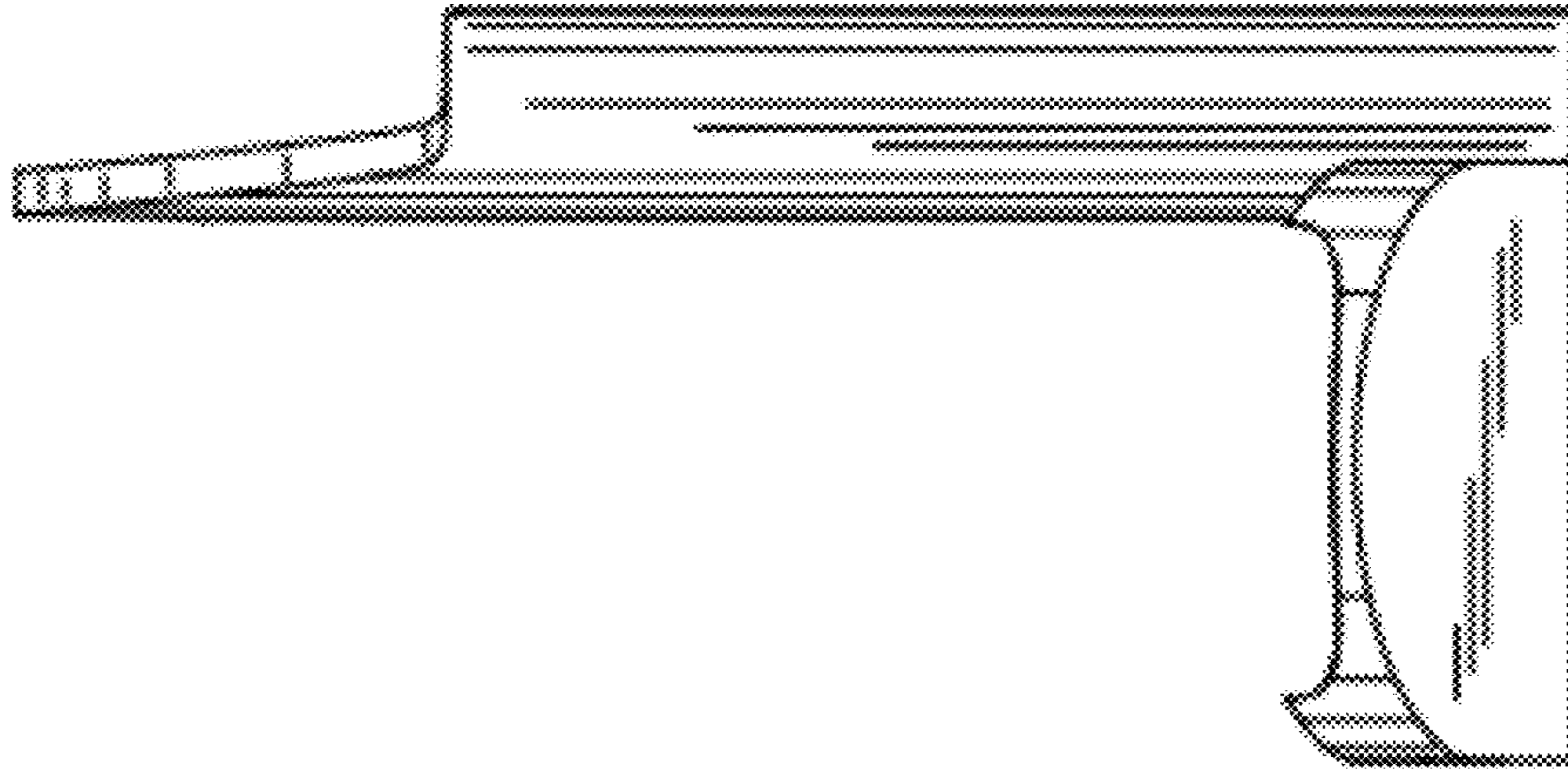


Fig. 9

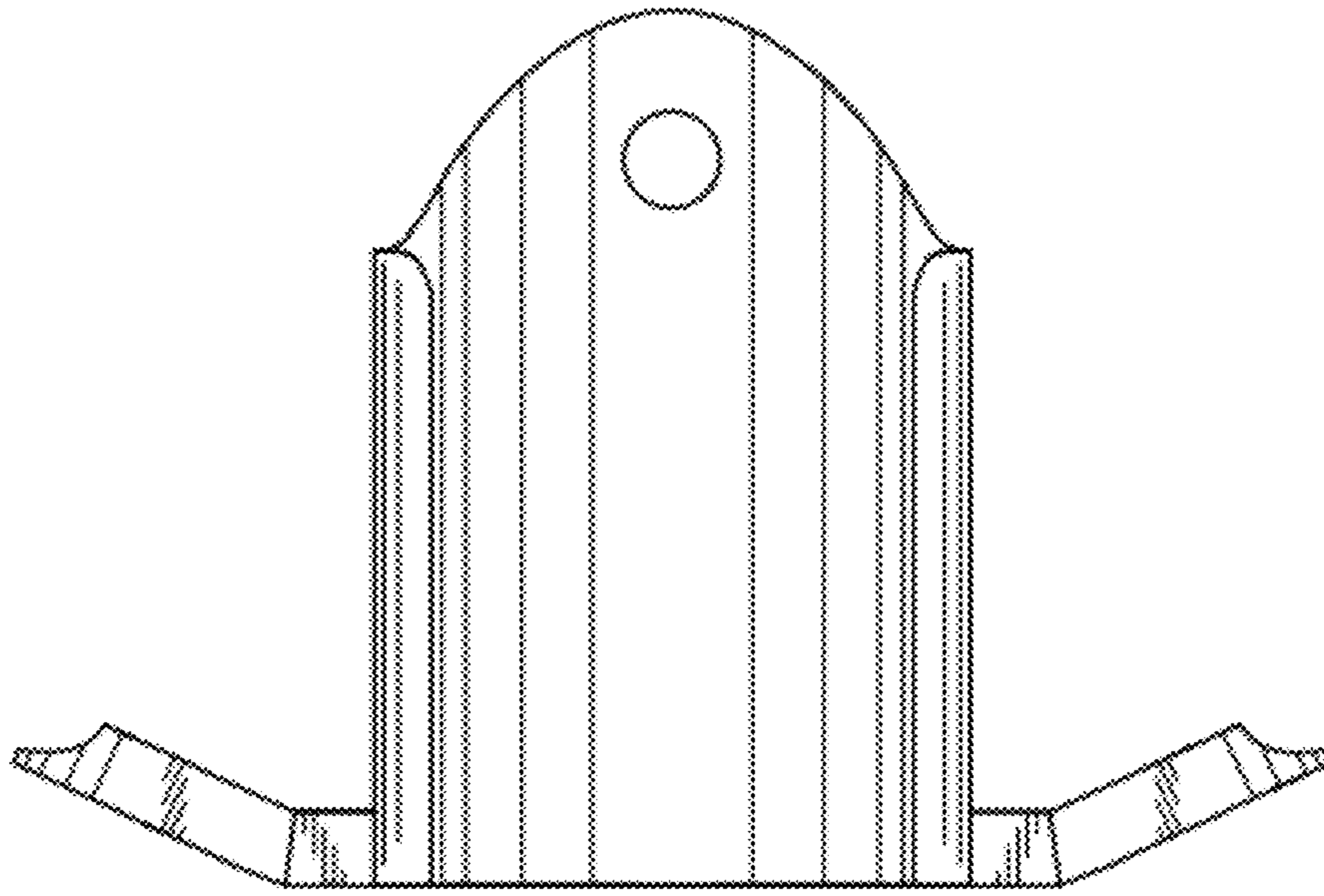


Fig. 10

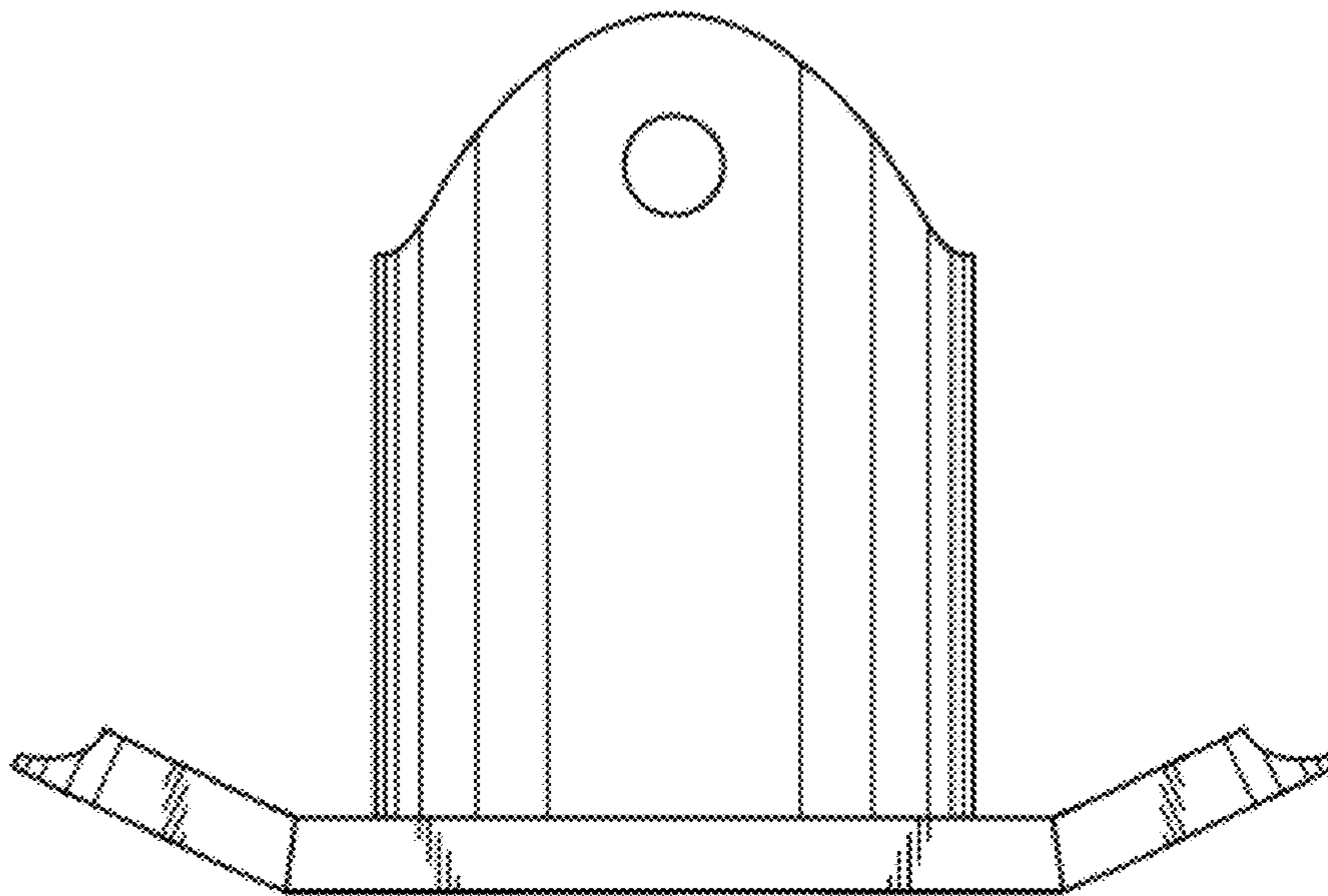


Fig. 11