



US00D668153S

(12) **United States Design Patent**  
**Mavin et al.**

(10) **Patent No.:** **US D668,153 S**

(45) **Date of Patent:** **\*\* Oct. 2, 2012**

(54) **FLIP-TOP CLOSURE**

(75) Inventors: **Gerry Mavin**, Ashington (GB);  
**Timothy Stephenson**, Doncaster (GB)

(73) Assignee: **Portola Packaging Inc.**, Batavia, IL  
(US)

(\*\*) Term: **14 Years**

(21) Appl. No.: **29/379,125**

(22) Filed: **Nov. 15, 2010**

(51) **LOC (9) Cl.** ..... **09-07**

(52) **U.S. Cl.** ..... **D9/449; D9/454; D9/445; D9/443**

(58) **Field of Classification Search** ..... D9/529,  
D9/519, 504, 503, 500, 454, 450, 449, 445,  
D9/444, 436, 435, 428; D7/601, 392.1; 426/104;  
220/820, 810, 521, 212; 215/236, 228; 206/217  
See application file for complete search history.

(56) **References Cited**

**U.S. PATENT DOCUMENTS**

D452,437 S *	12/2001	Bezek et al.	.....	D9/502
D513,986 S *	1/2006	Healy et al.	.....	D9/445
D516,428 S *	3/2006	Bezek et al.	.....	D9/502
D560,119 S *	1/2008	Bloc	.....	D9/449
D568,743 S *	5/2008	Kunesh et al.	.....	D9/445
D569,250 S *	5/2008	Chou	.....	D9/453

\* cited by examiner

*Primary Examiner* — Susan Bennett Hattan

(74) *Attorney, Agent, or Firm* — James P. Hanrath; Adam K. Sacharoff

(57) **CLAIM**

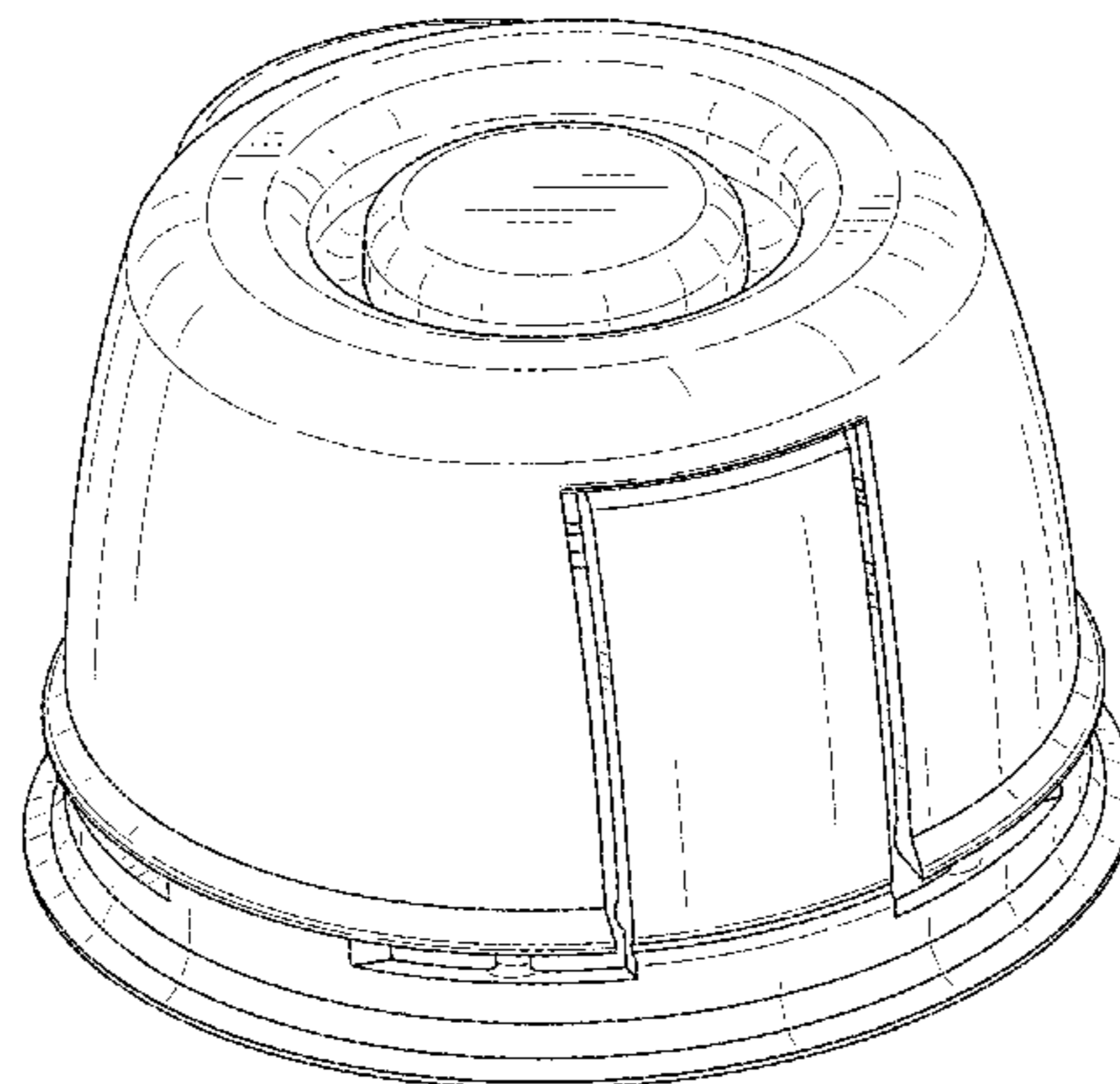
The ornamental design for a flip-top closure, as shown and described.

**DESCRIPTION**

FIG. 1 is a top rear perspective view of a flip-top closure in accordance with a first embodiment of the invention; FIG. 2 is a front view of the flip-top closure from FIG. 1; FIG. 3 is a rear view of the flip-top closure from FIG. 1; FIG. 4 is a right view of the flip-top closure from FIG. 1; FIG. 5 is a left view of the flip-top closure from FIG. 1; FIG. 6 is a top view of the flip-top closure from FIG. 1; FIG. 7 is a bottom view of the flip-top closure from FIG. 1; FIG. 8 is a cross sectional view of the flip-top closure from FIG. 1;

FIG. 9 is a top rear perspective view of a flip-top closure in accordance with a second embodiment of the invention; FIG. 10 is a front view of the flip-top closure from FIG. 9; FIG. 11 is a rear view of the flip-top closure from FIG. 9; FIG. 12 is a right view of the flip-top closure from FIG. 9; FIG. 13 is a left view of the flip-top closure from FIG. 9; FIG. 14 is a top view of the flip-top closure from FIG. 9; FIG. 15 is a bottom view of the flip-top closure from FIG. 9; and, FIG. 16 is a cross sectional view of the flip-top closure from FIG. 9.

**1 Claim, 12 Drawing Sheets**



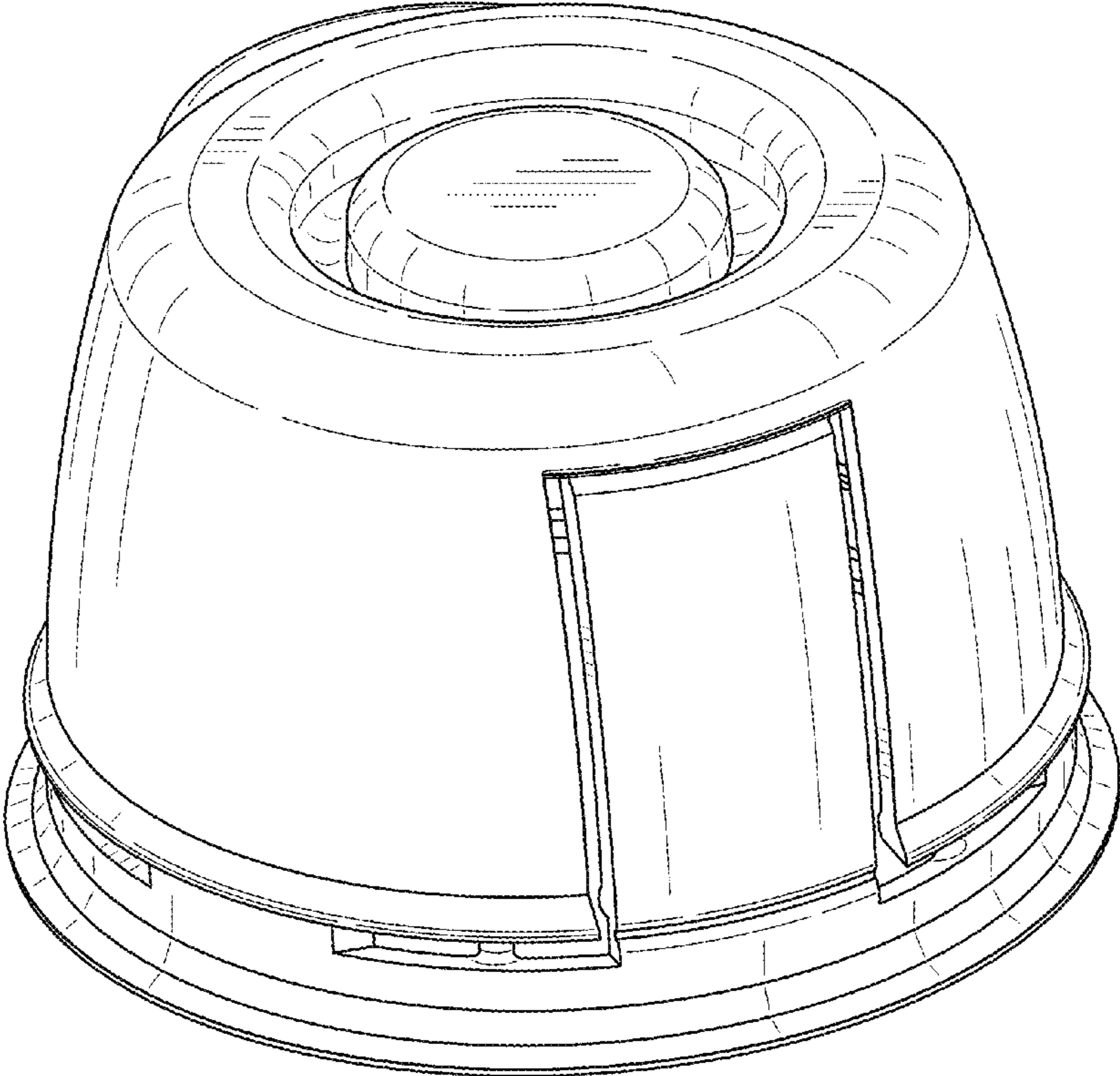


FIG. 1

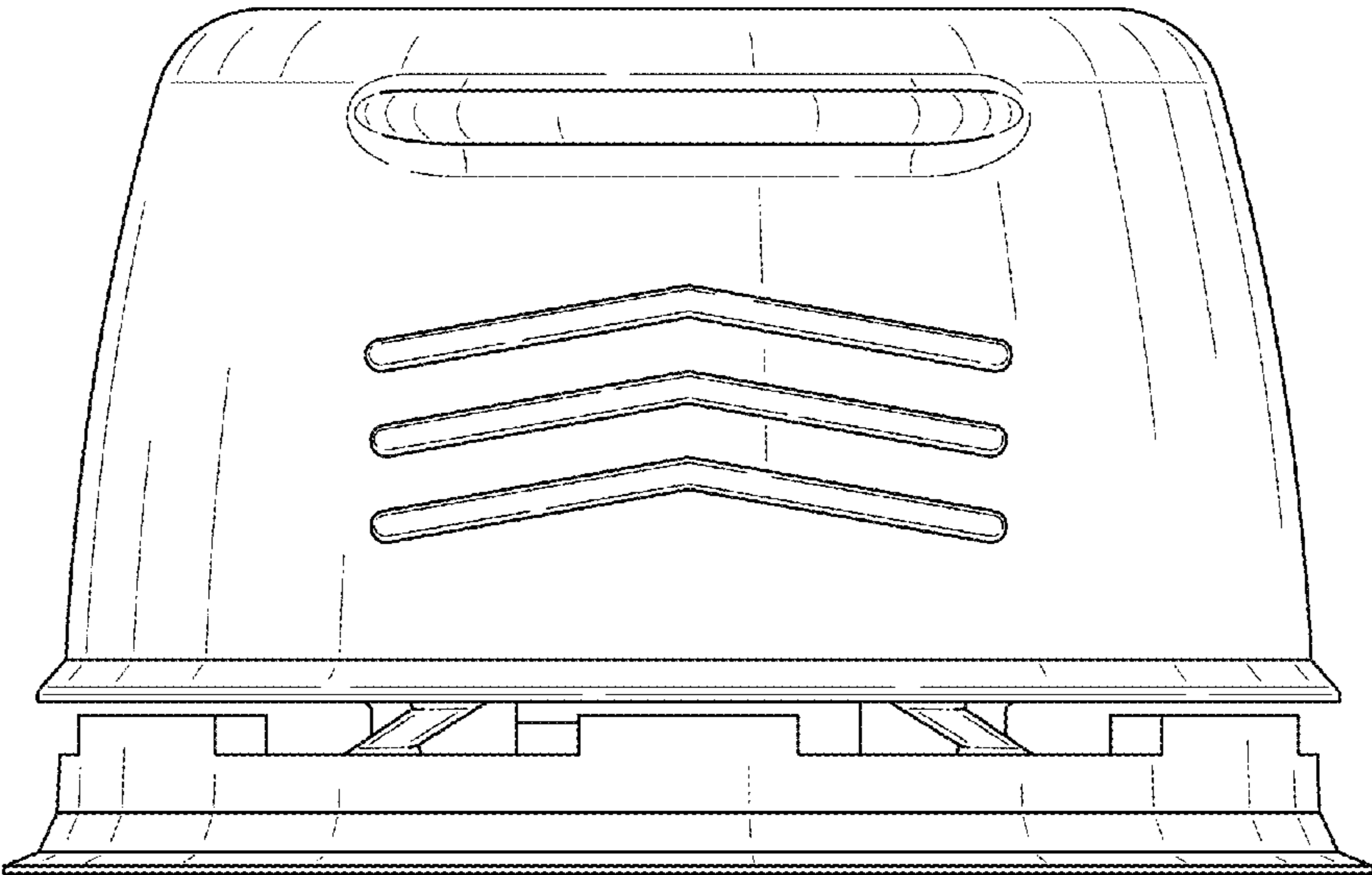


FIG. 2

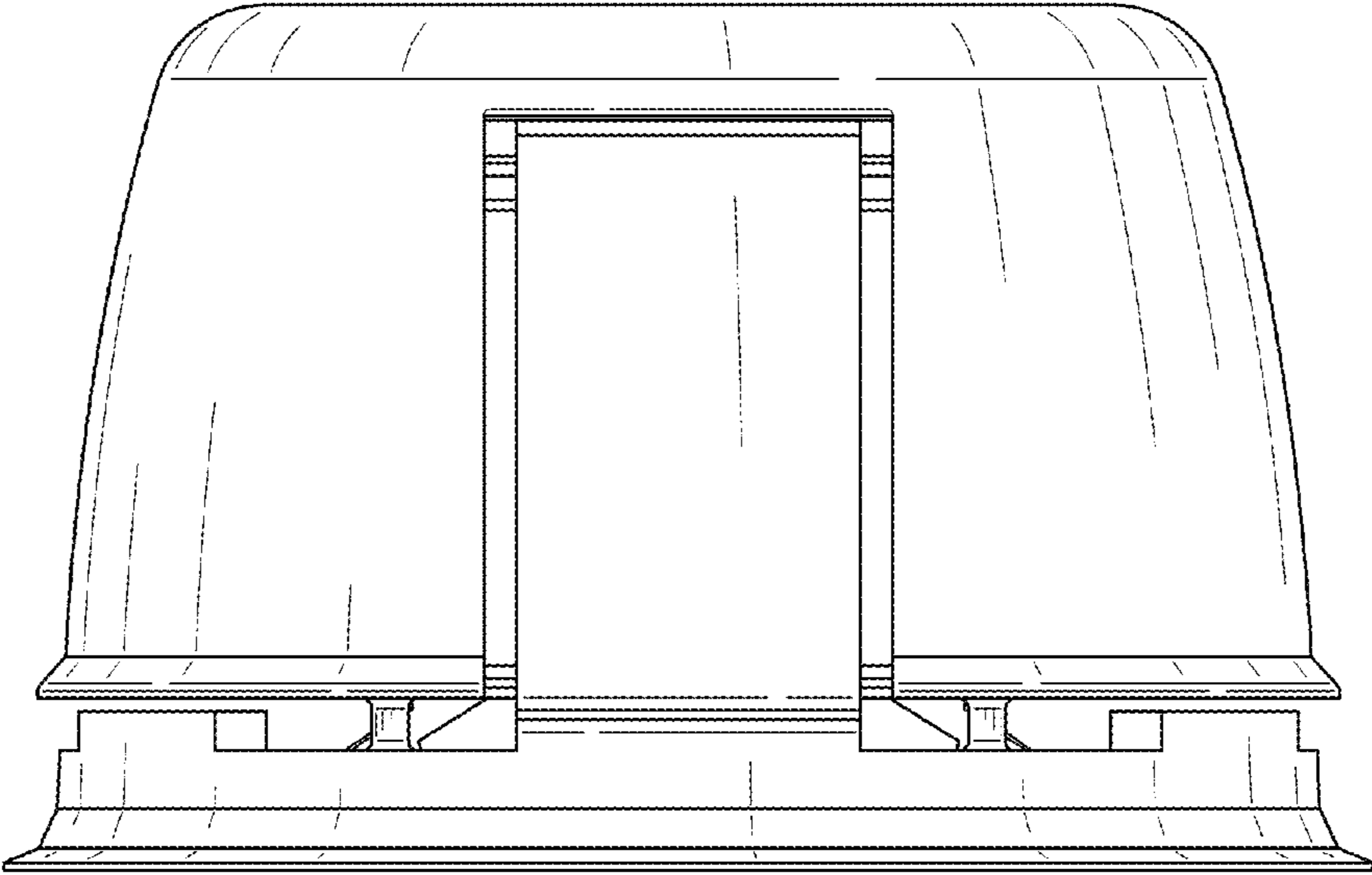


FIG. 3

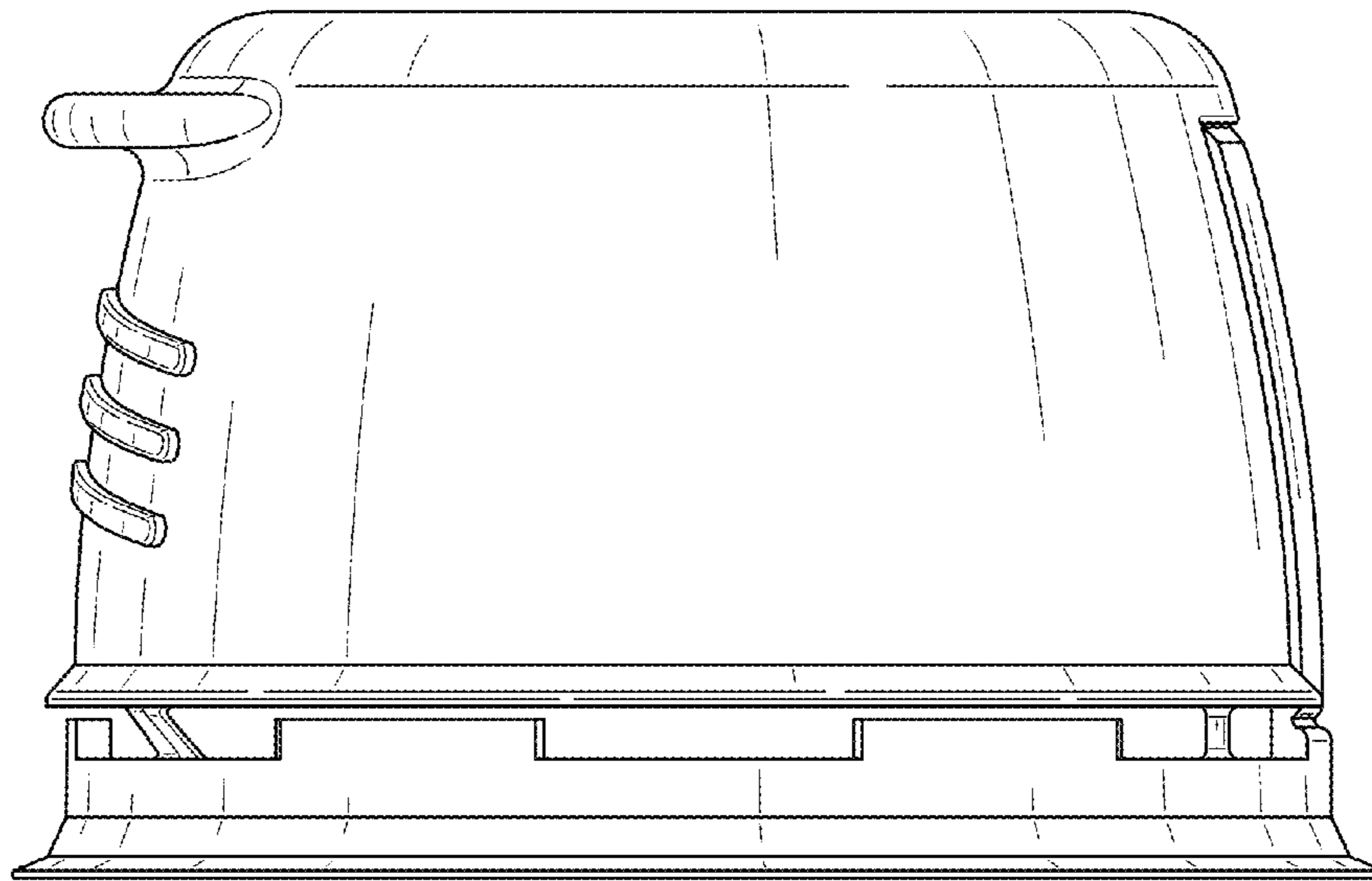


FIG. 4

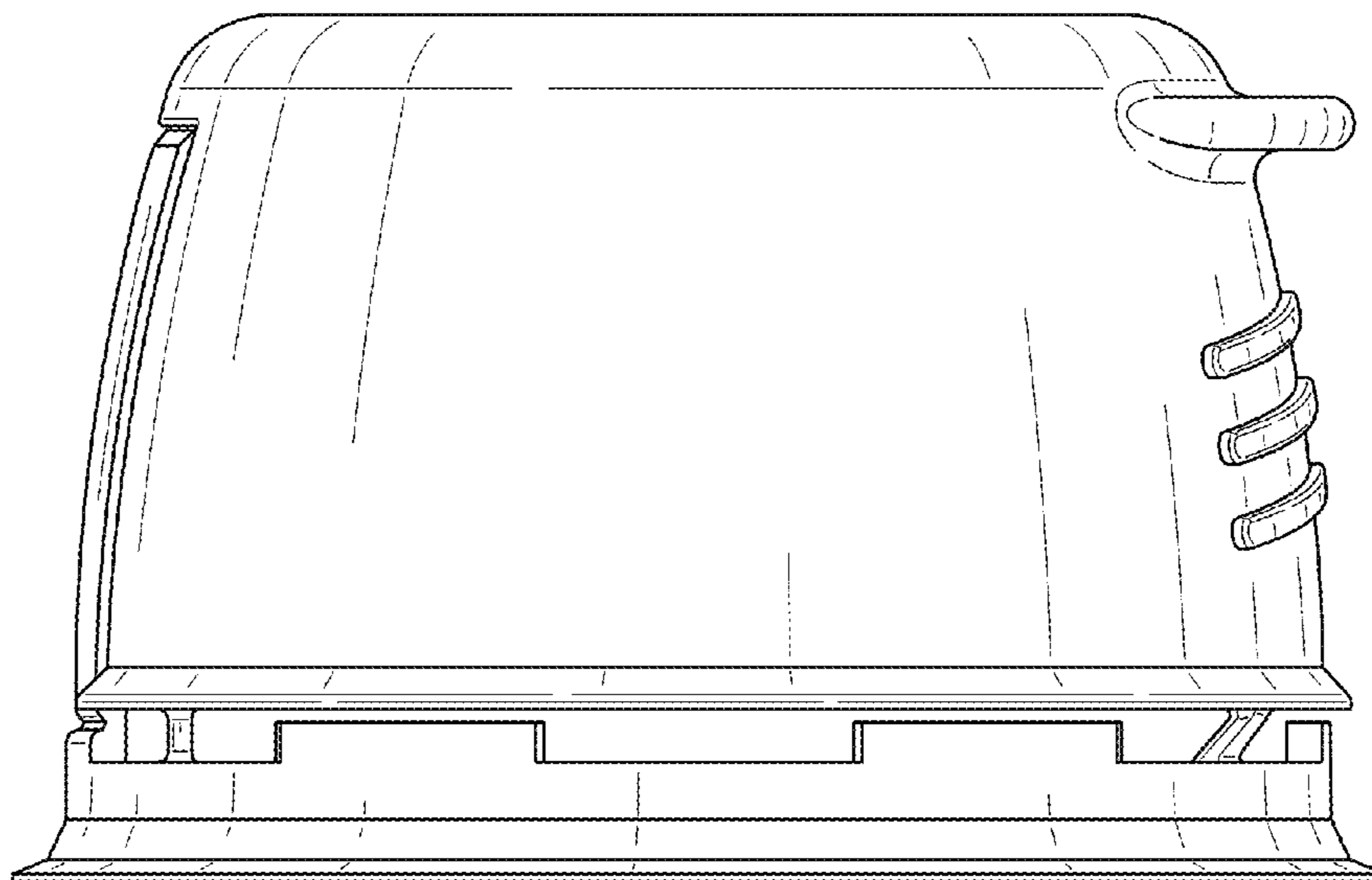


FIG. 5

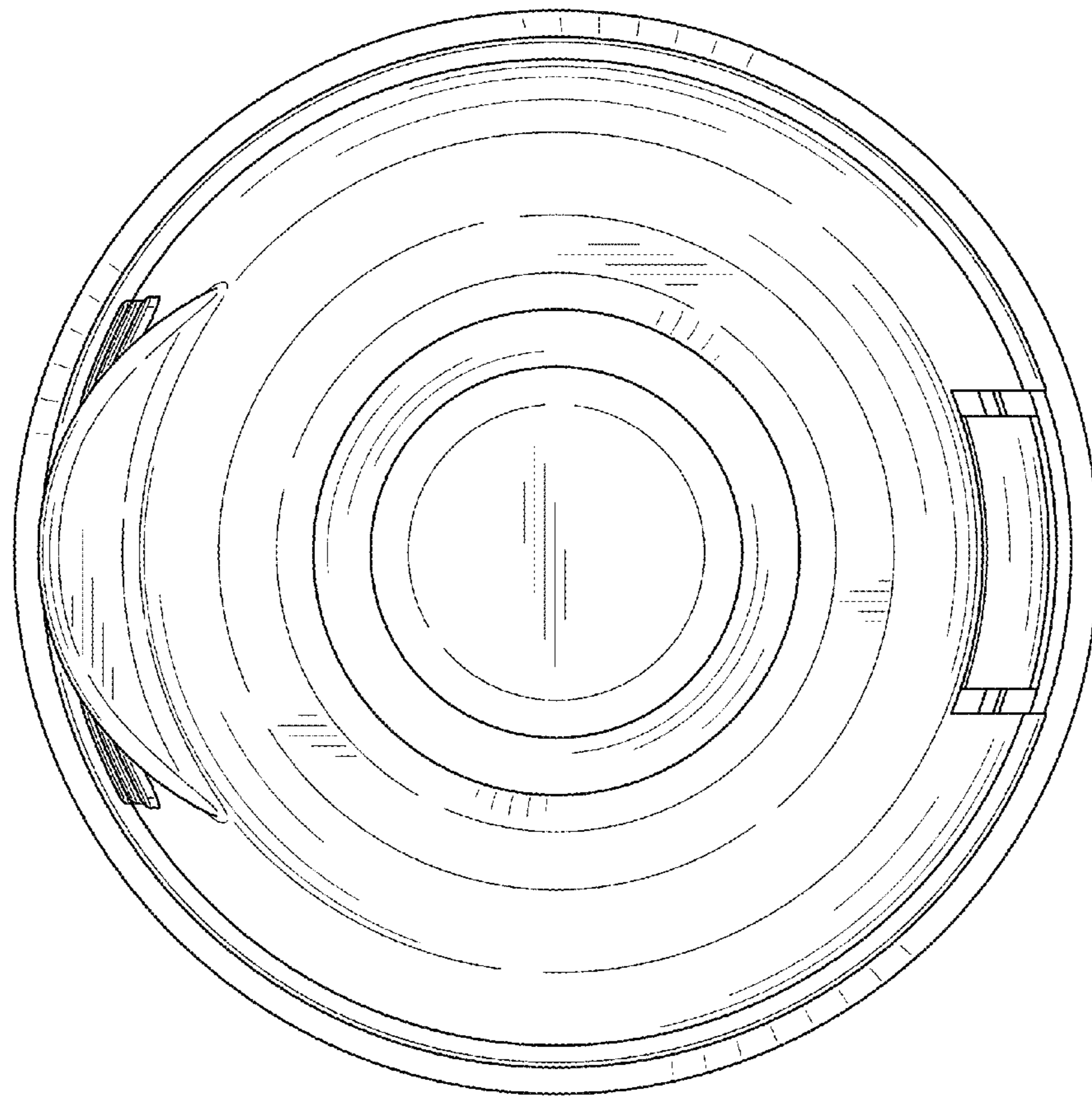


FIG. 6

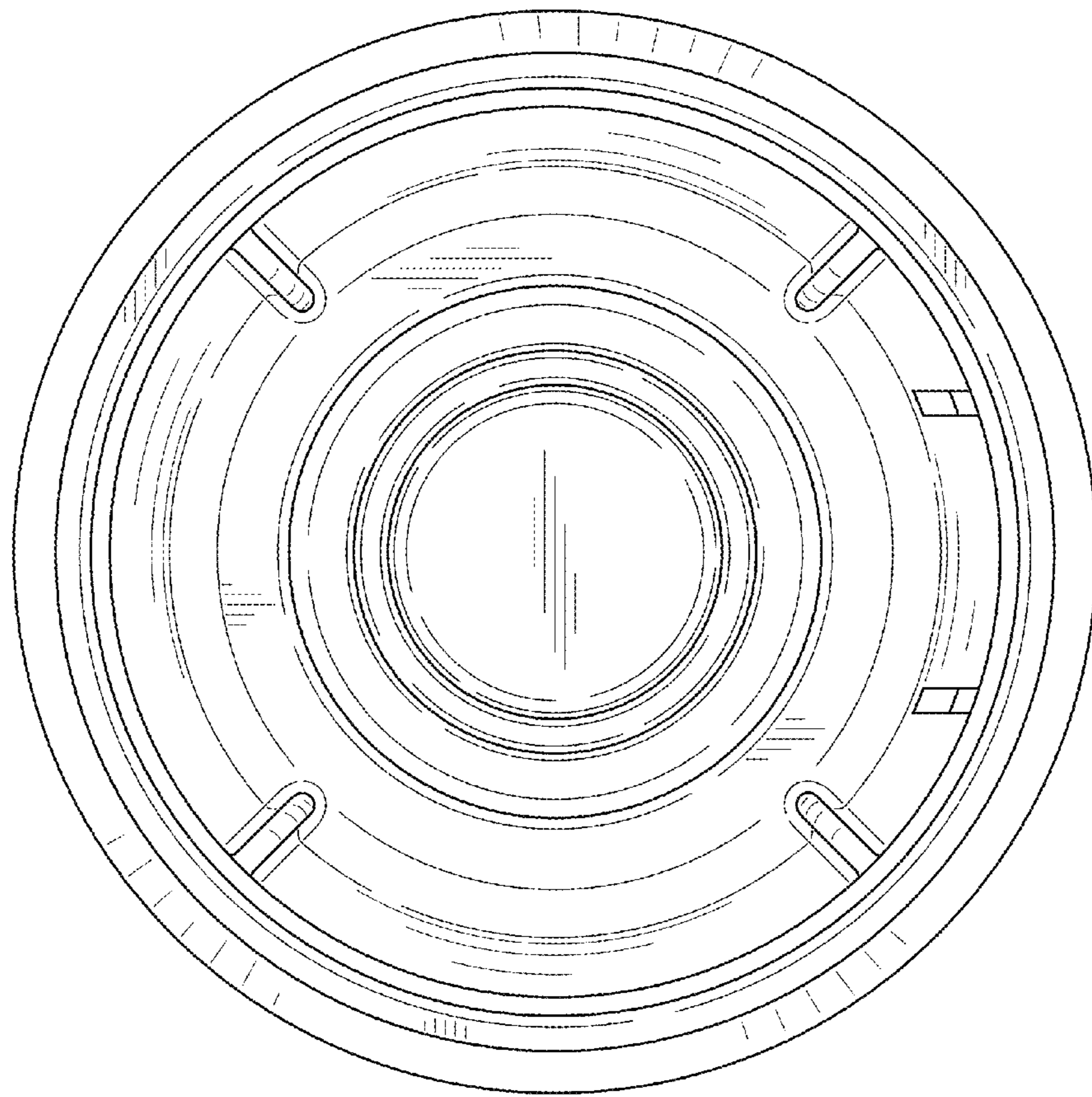


FIG. 7

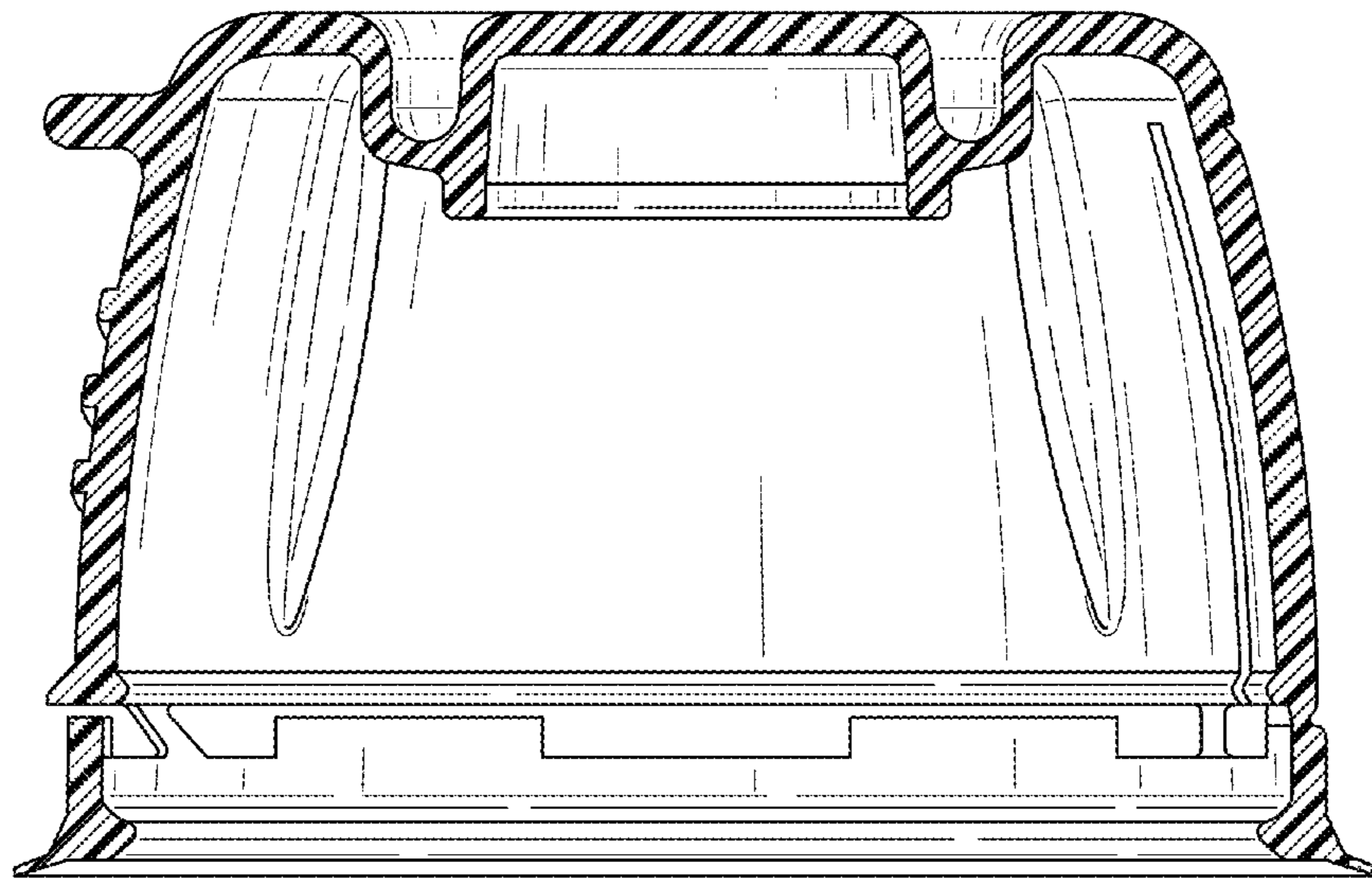


FIG. 8

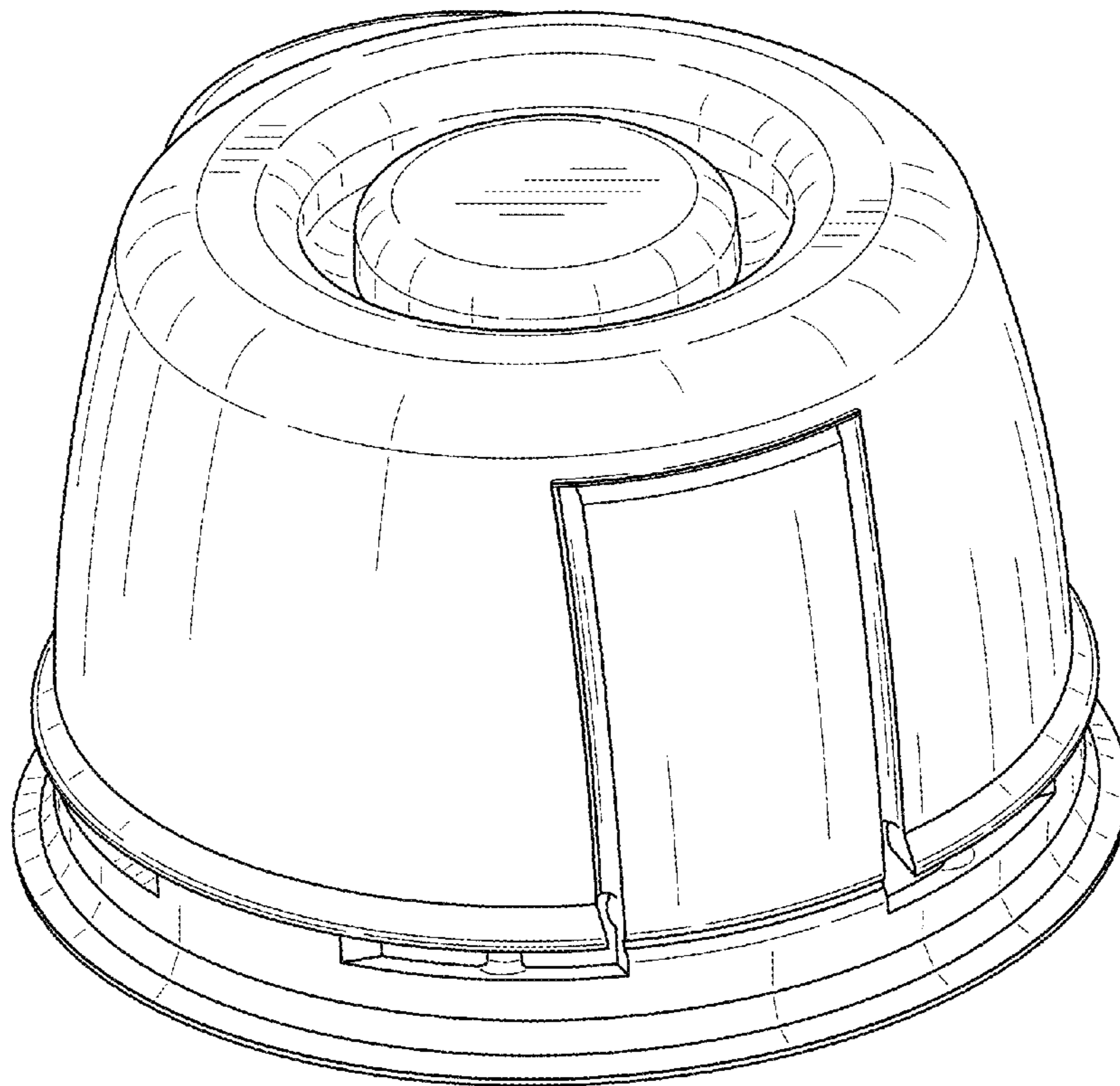


FIG. 9



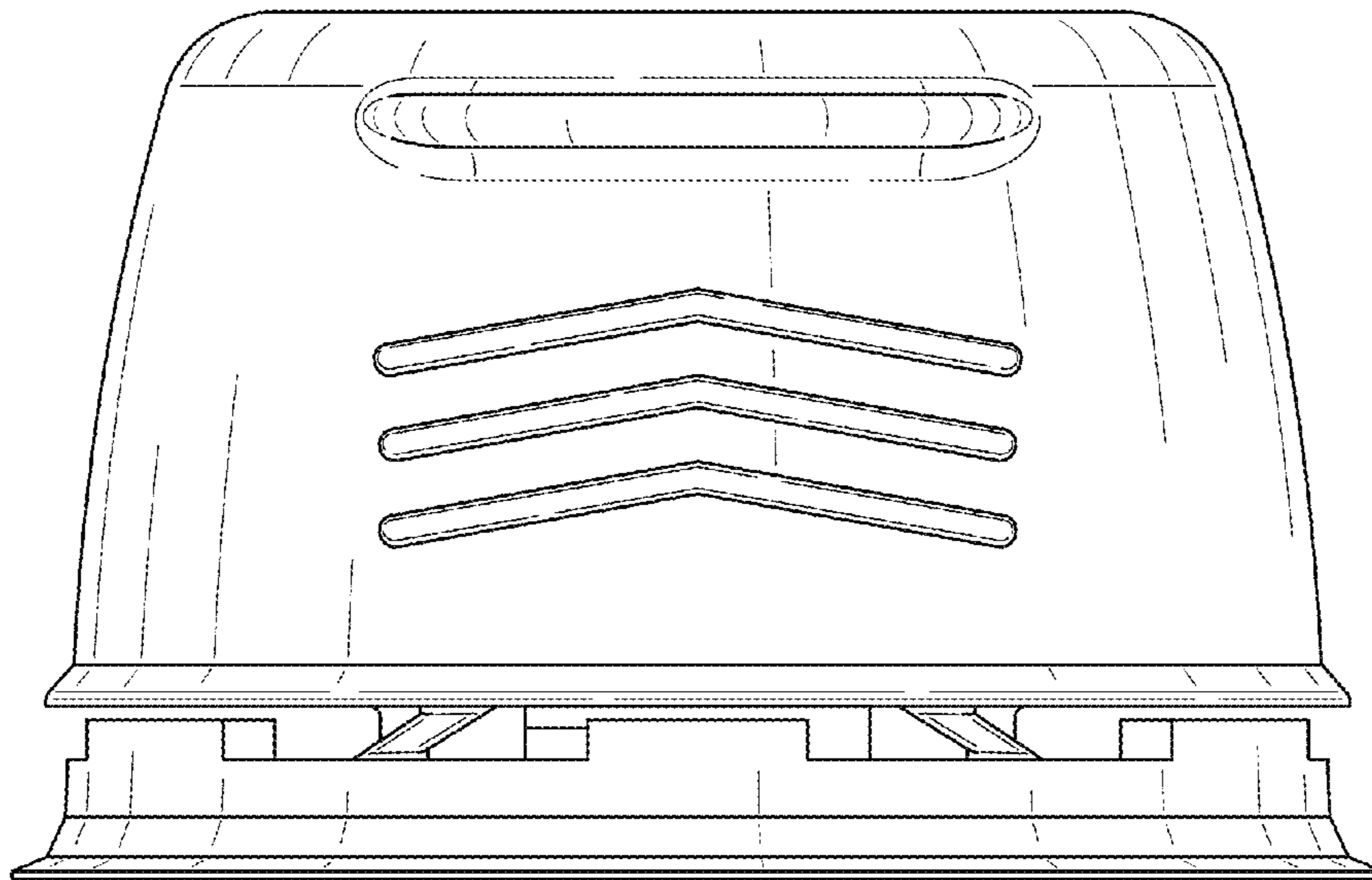


FIG. 10

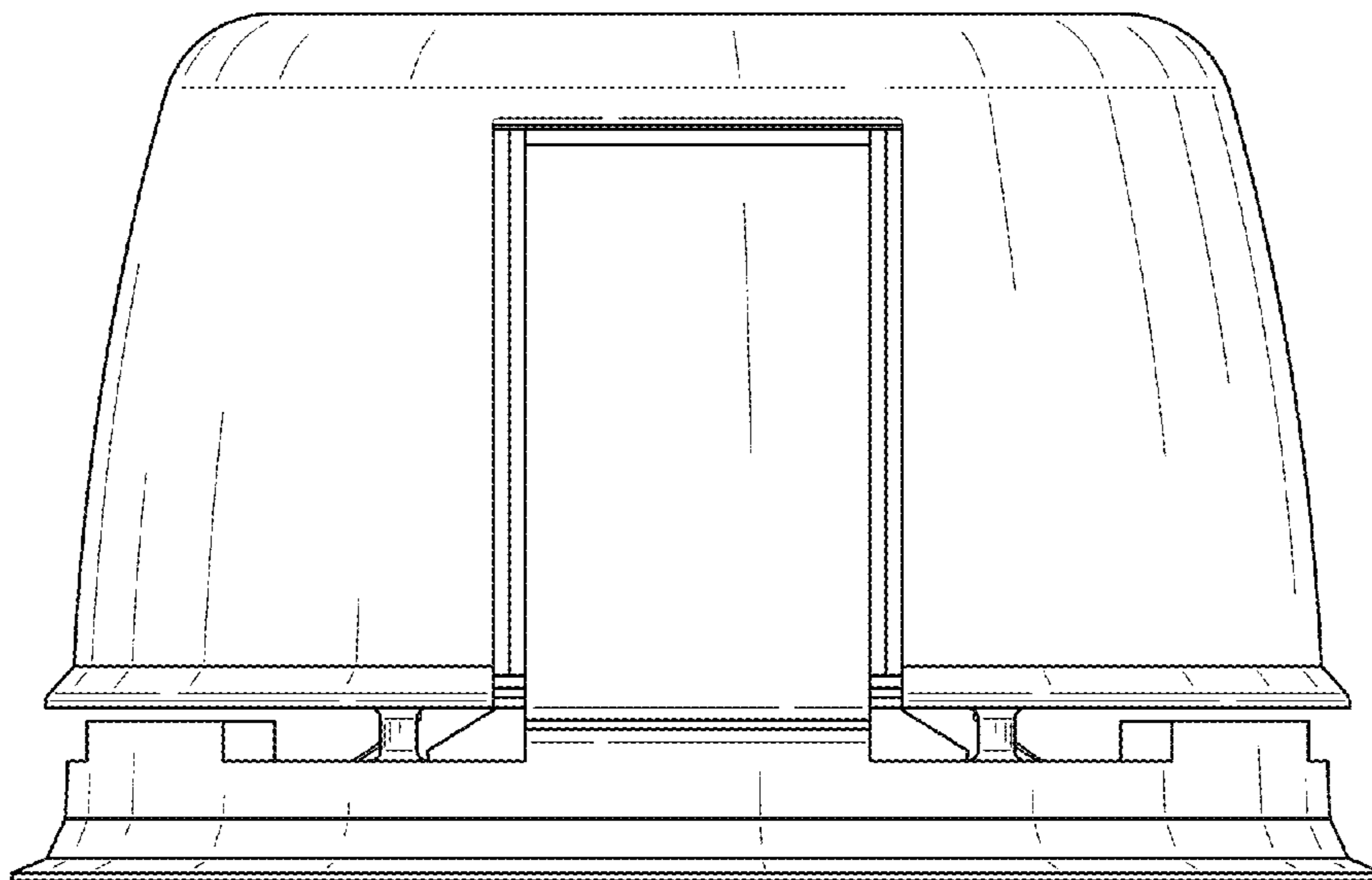


FIG. 11

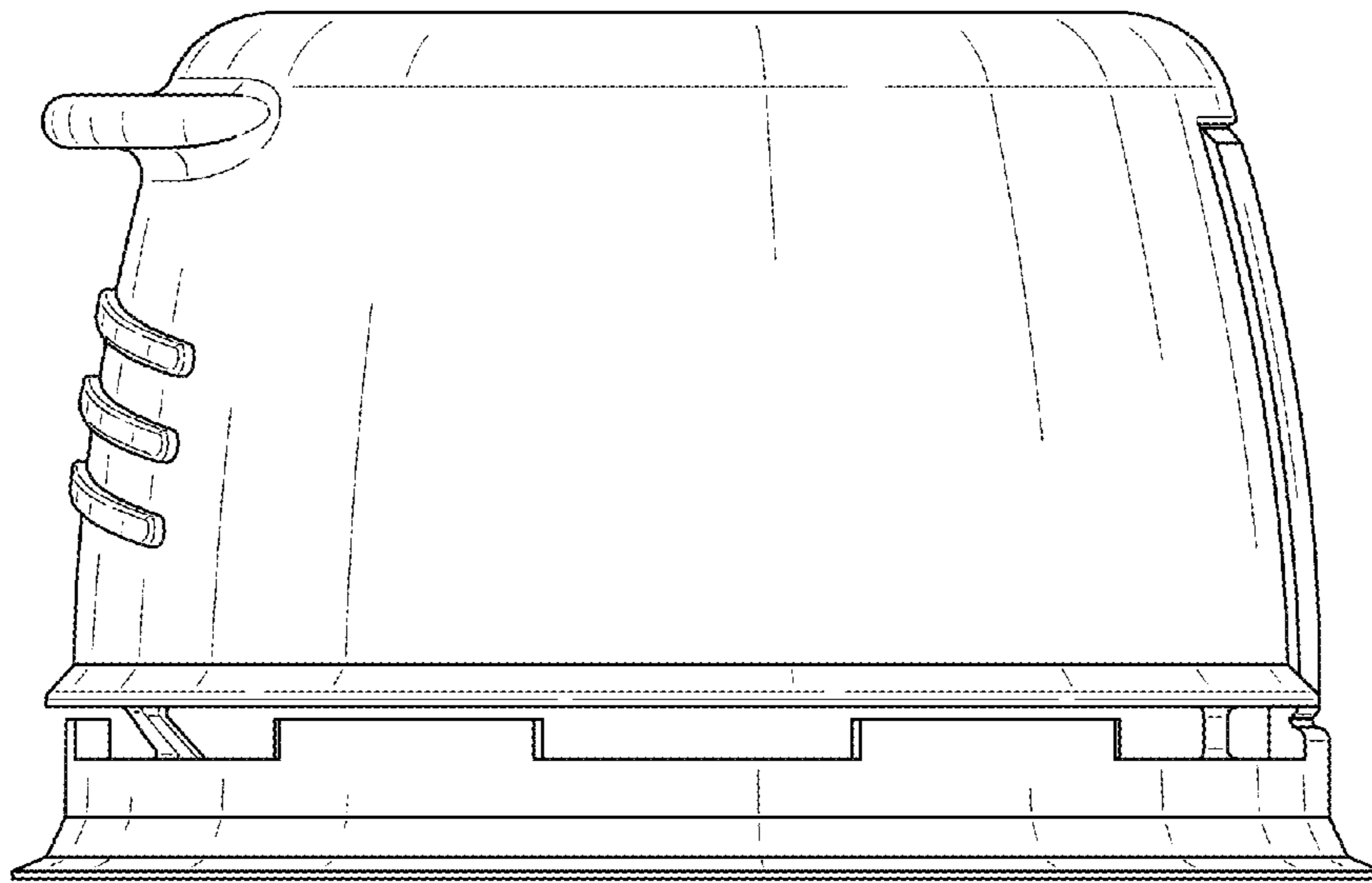


FIG. 12

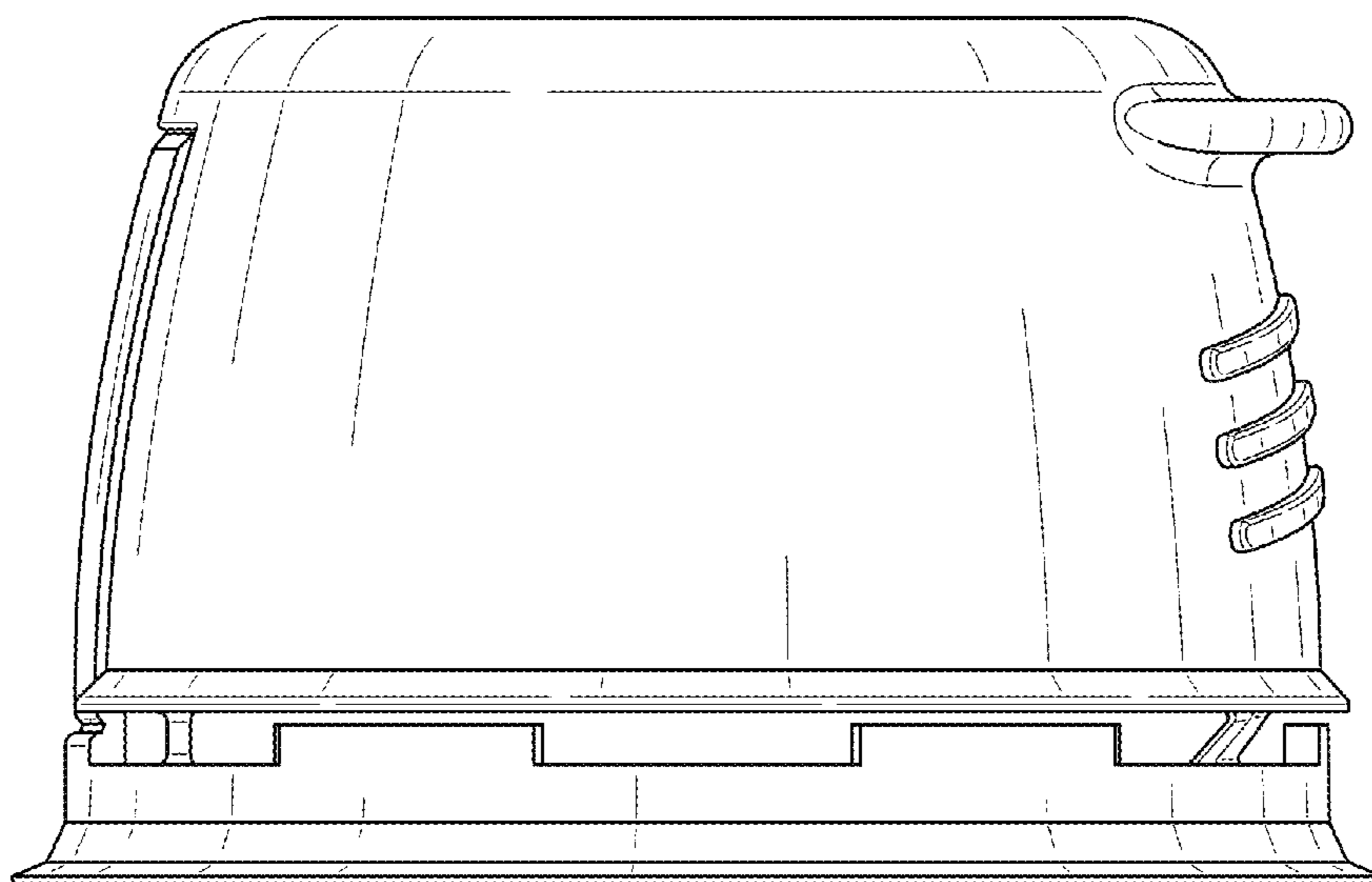


FIG. 13

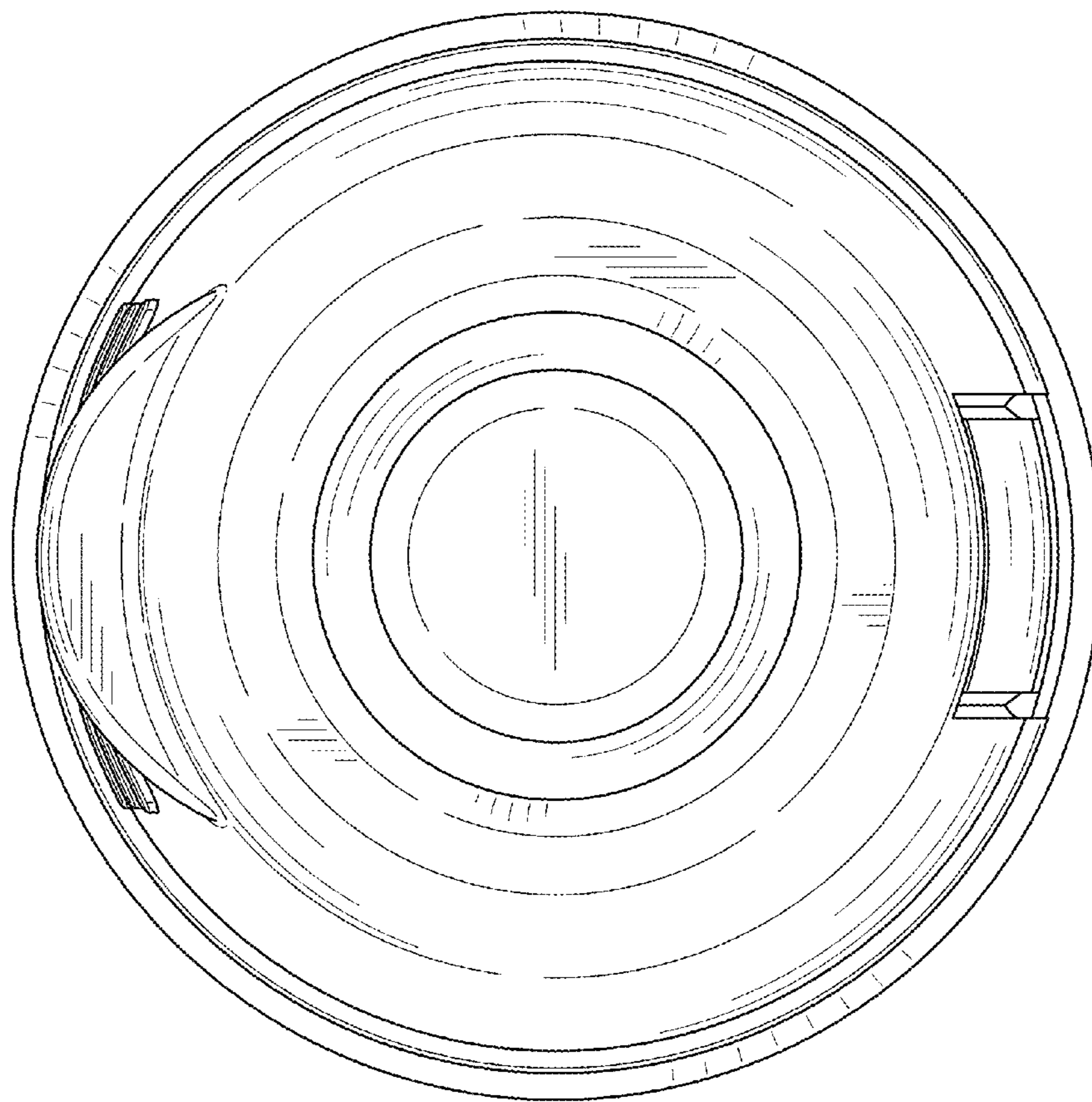


FIG. 14

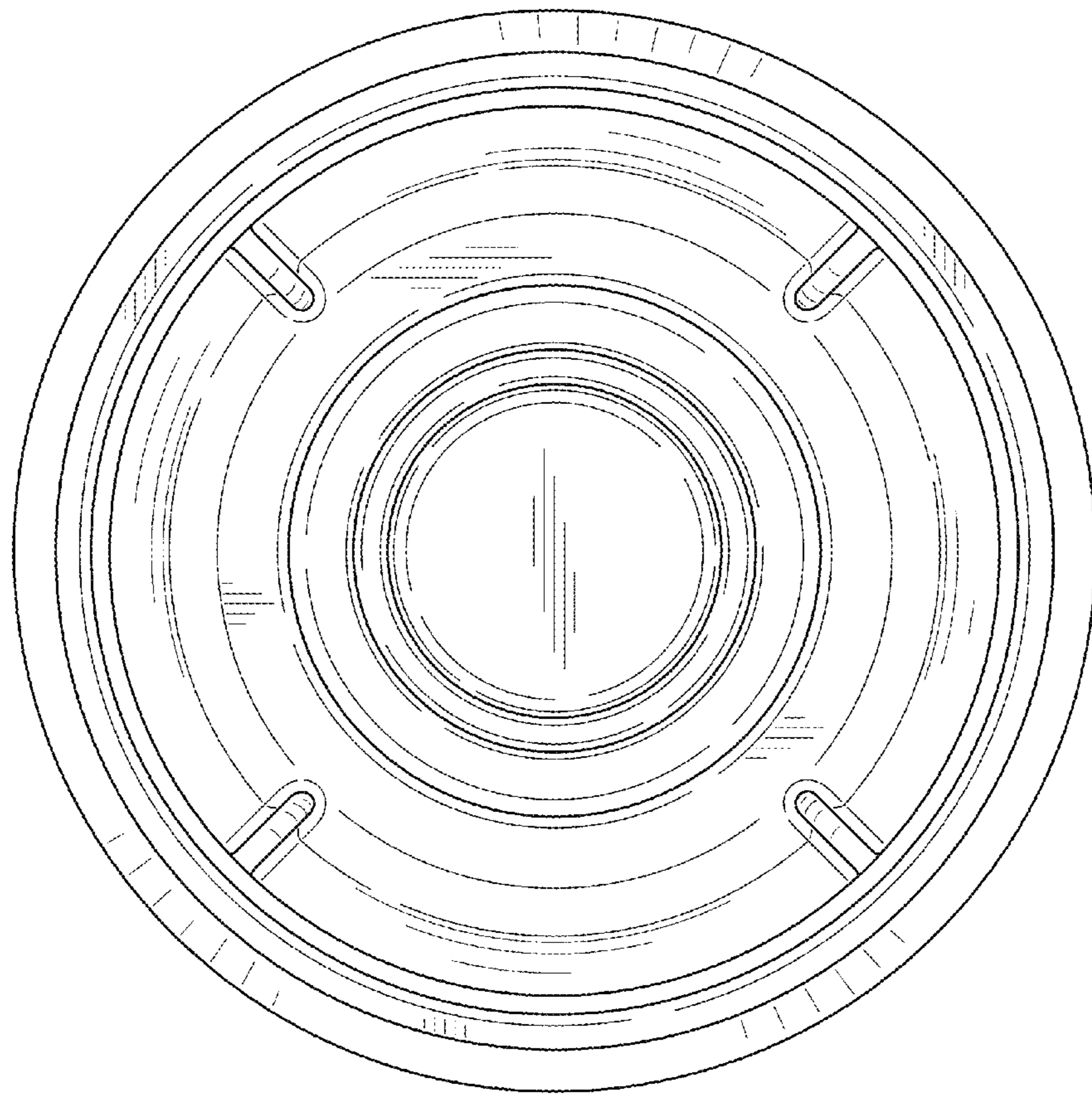


FIG. 15

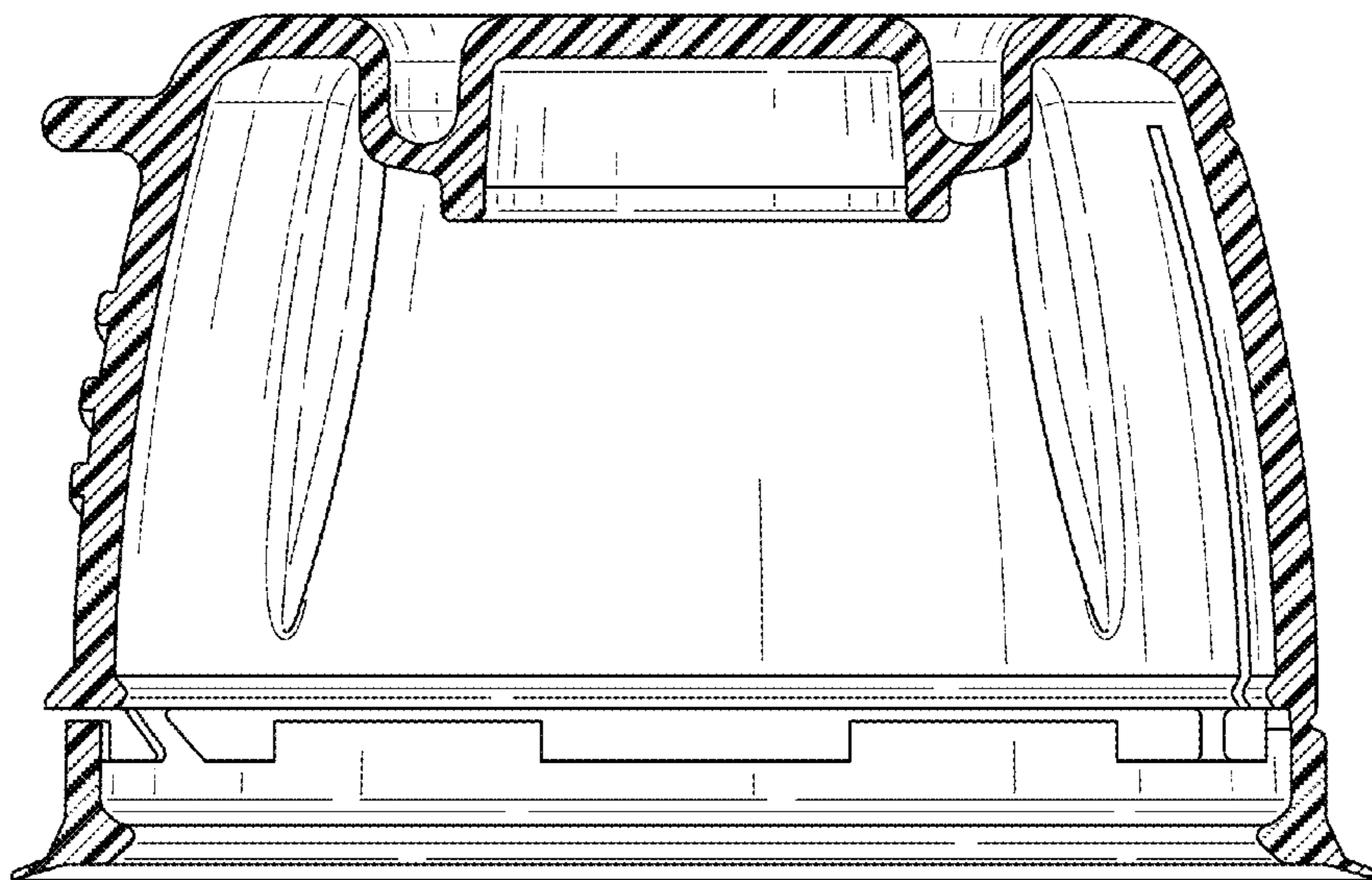


FIG. 16