



US00D668152S

(12) **United States Design Patent**
Sasaki

(10) **Patent No.:** **US D668,152 S**
(45) **Date of Patent:** **** Oct. 2, 2012**

(54) **ACTUATOR FOR AN AEROSOL SPRAY BOTTLE**

D440,867 S * 4/2001 Dailey et al. D9/687
D457,061 S * 5/2002 Walters D9/448
D650,671 S * 12/2011 Althaus et al. D9/447

(75) Inventor: **Satoshi Sasaki**, Saitama (JP)

OTHER PUBLICATIONS

(73) Assignee: **Toyo Aerosol Industry Co., Ltd.**, Tokyo (JP)

Satoshi Sasaki; Actuator for an Aerosol Spray Bottle; U.S. Appl. No. 29/381,263, filed Dec. 16, 2010.

(**) Term: **14 Years**

* cited by examiner

(21) Appl. No.: **29/402,315**

Primary Examiner — Susan Bennett Hattan
(74) *Attorney, Agent, or Firm* — IpHorgan Ltd.

(22) Filed: **Sep. 22, 2011**

(57) **CLAIM**
The ornamental design for an actuator for an aerosol spray bottle, as shown and described.

(30) **Foreign Application Priority Data**

DESCRIPTION

Jul. 20, 2011 (JP) 2011-016588

(51) **LOC (9) Cl.** **09-07**

(52) **U.S. Cl.** **D9/448**

(58) **Field of Classification Search** D9/693,
D9/687, 686, 450, 449, 448, 447, 434; D7/510,
D7/392.1; 239/333; 222/566; 220/705;
215/389

See application file for complete search history.

FIG. 1 is a perspective view of an actuator for an aerosol spray bottle, and an aerosol spray bottle, showing the new ornamental design;

FIG. 2 is a front view of an actuator for an aerosol spray bottle, showing the new ornamental design;

FIG. 3 is a back view of an actuator for an aerosol spray bottle;

FIG. 4 is a left view of an actuator for an aerosol spray bottle, and wherein the right view is a mirror image thereof;

FIG. 5 is a top view of an actuator for an aerosol spray bottle; and,

FIG. 6 is a bottom view of an actuator for an aerosol spray bottle.

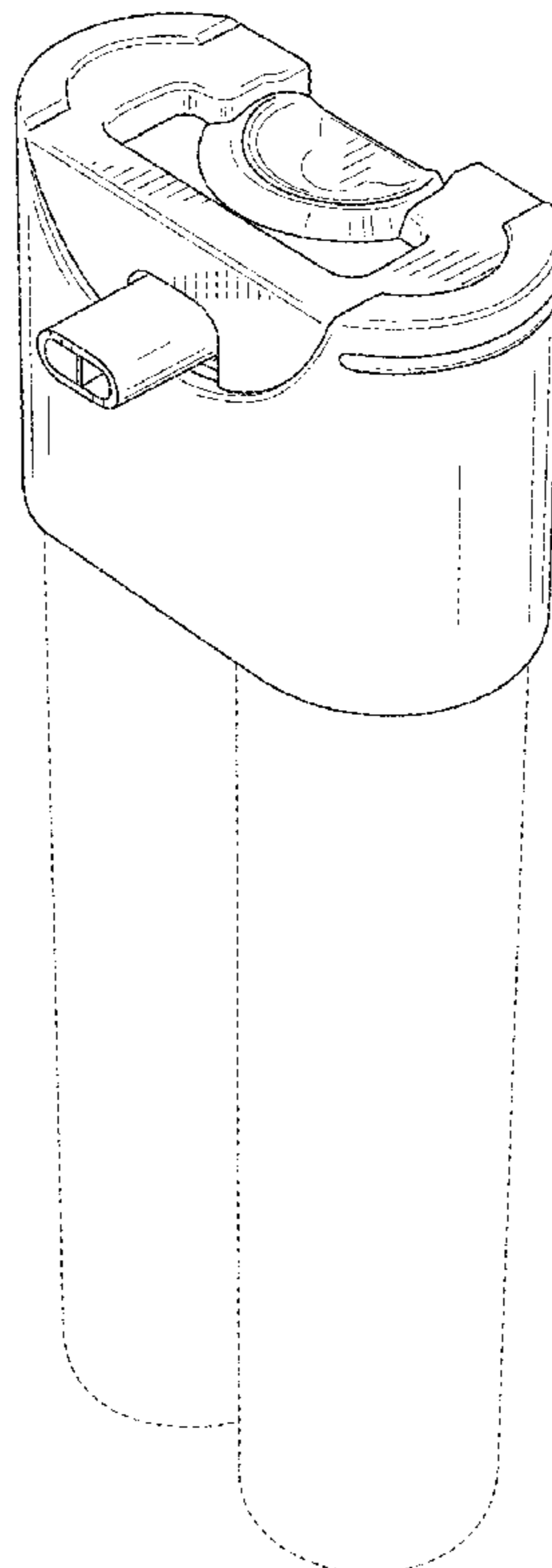
The broken lines shown in the drawings are included for the purpose of illustrating structural environment and form no part of the claimed design.

(56) **References Cited**

U.S. PATENT DOCUMENTS

D370,847 S * 6/1996 Lamb D9/448
D373,529 S * 9/1996 Zogg et al. D9/693
D381,261 S * 7/1997 Crawford D9/686
D402,193 S * 12/1998 Bell et al. D9/693
D413,063 S * 8/1999 Bell et al. D9/434

1 Claim, 6 Drawing Sheets



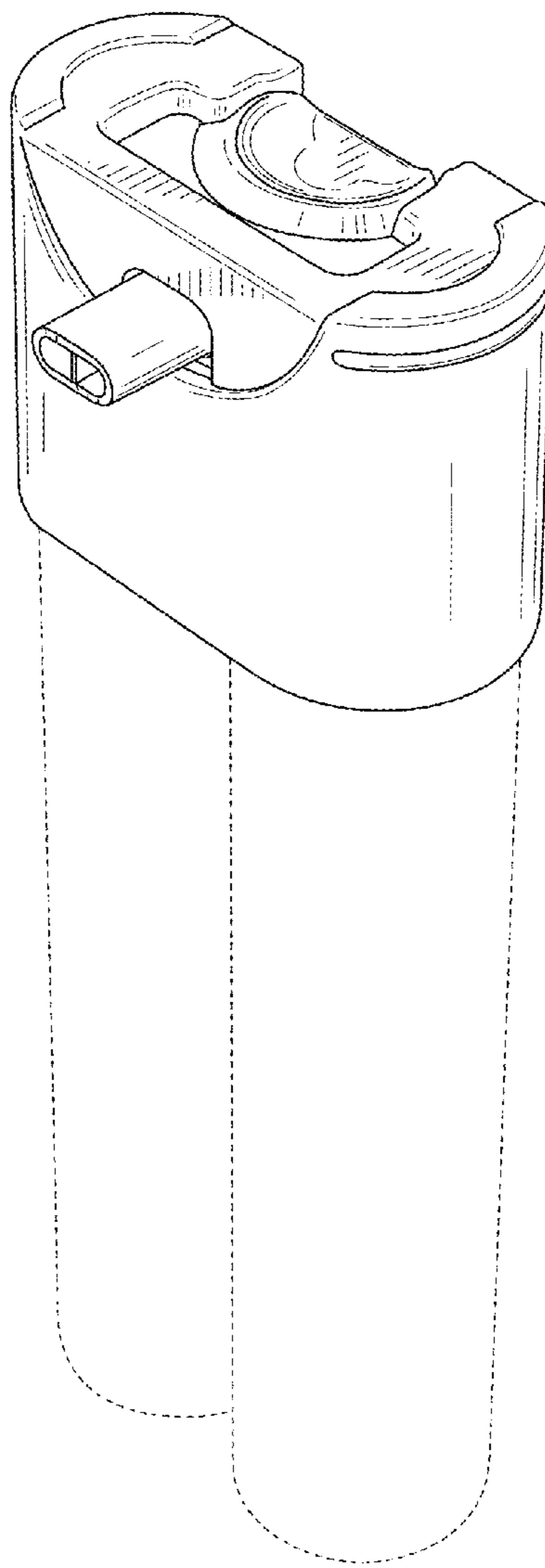


FIG. 1

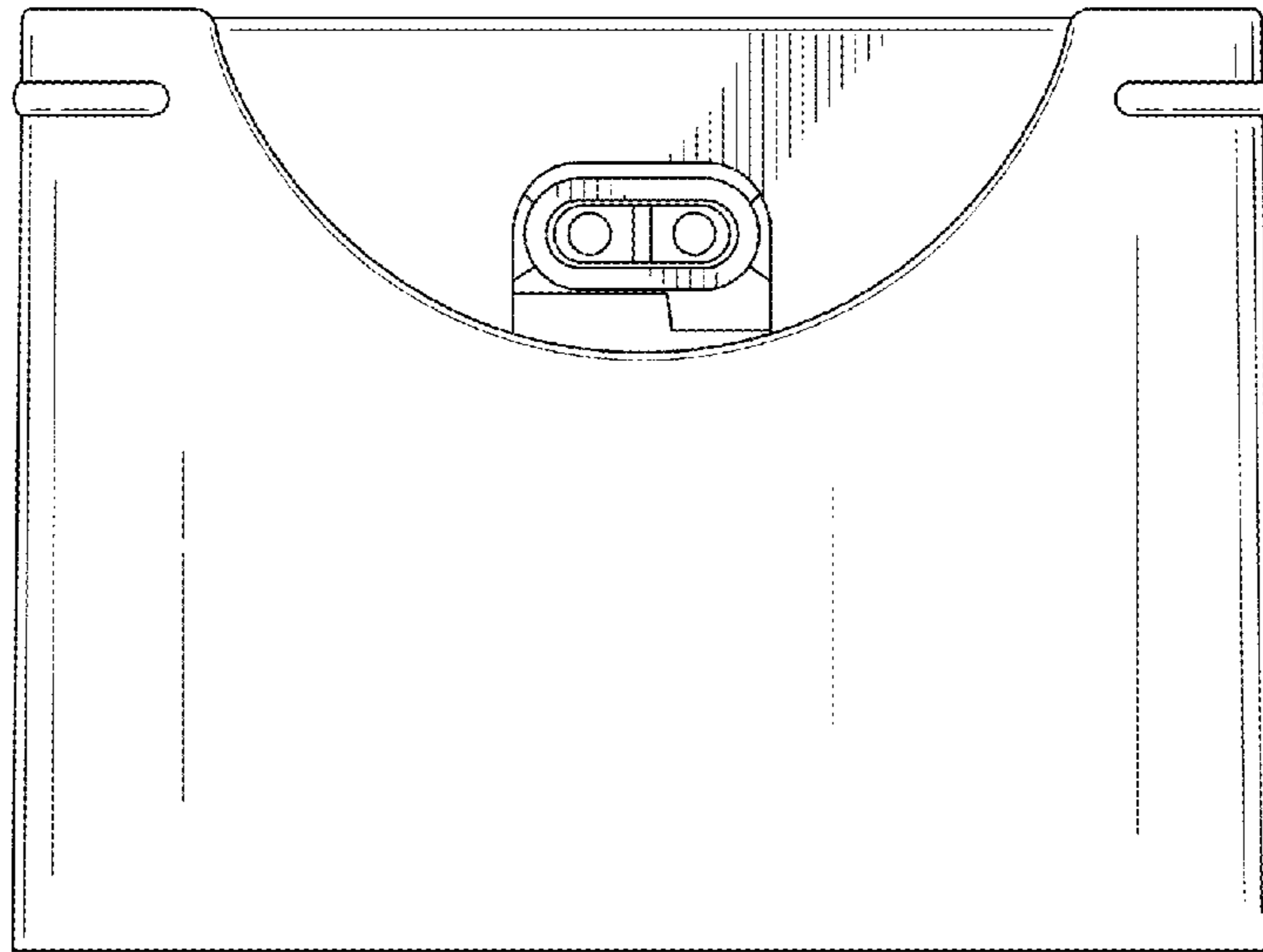


FIG. 2

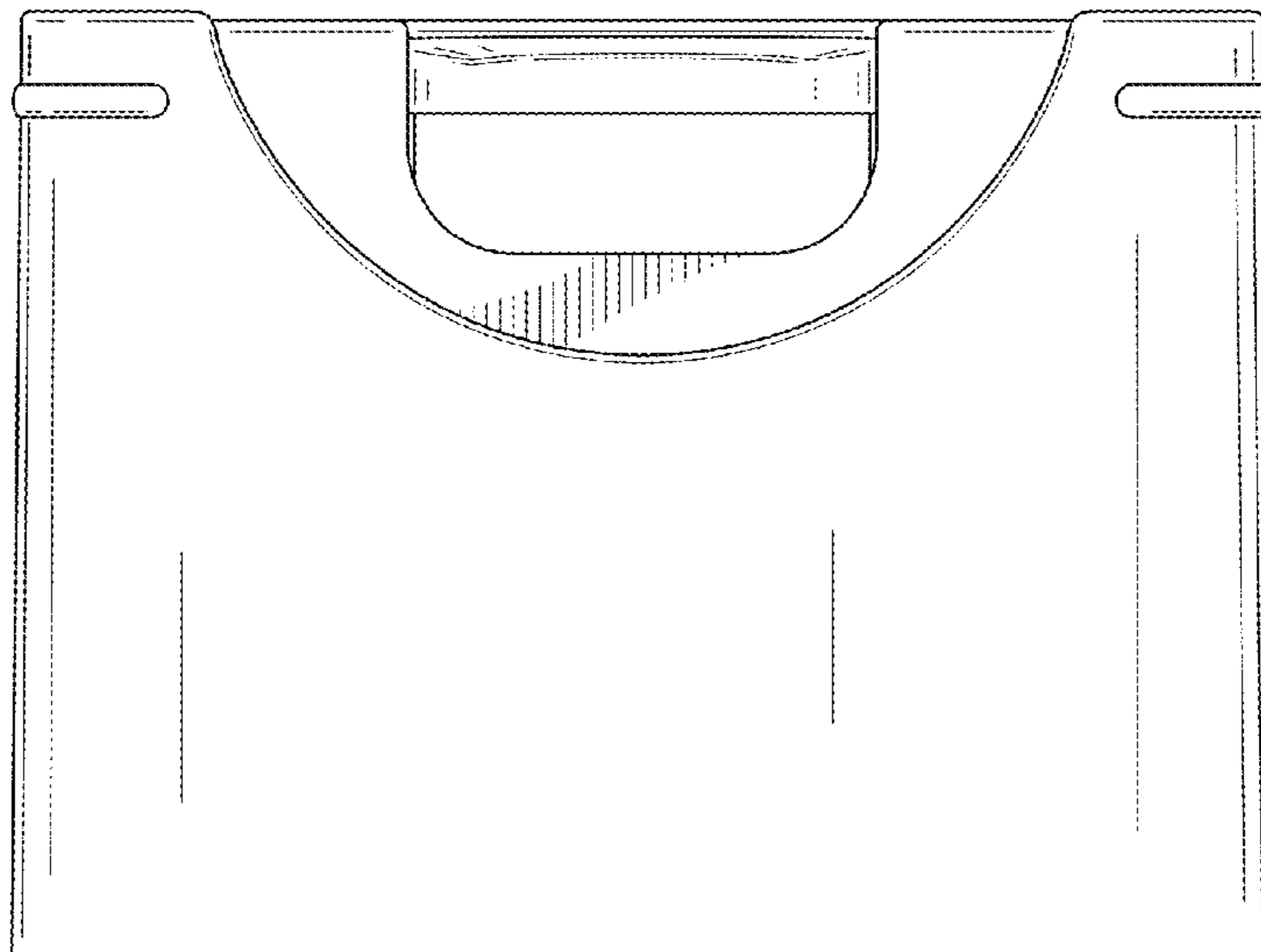


FIG. 3

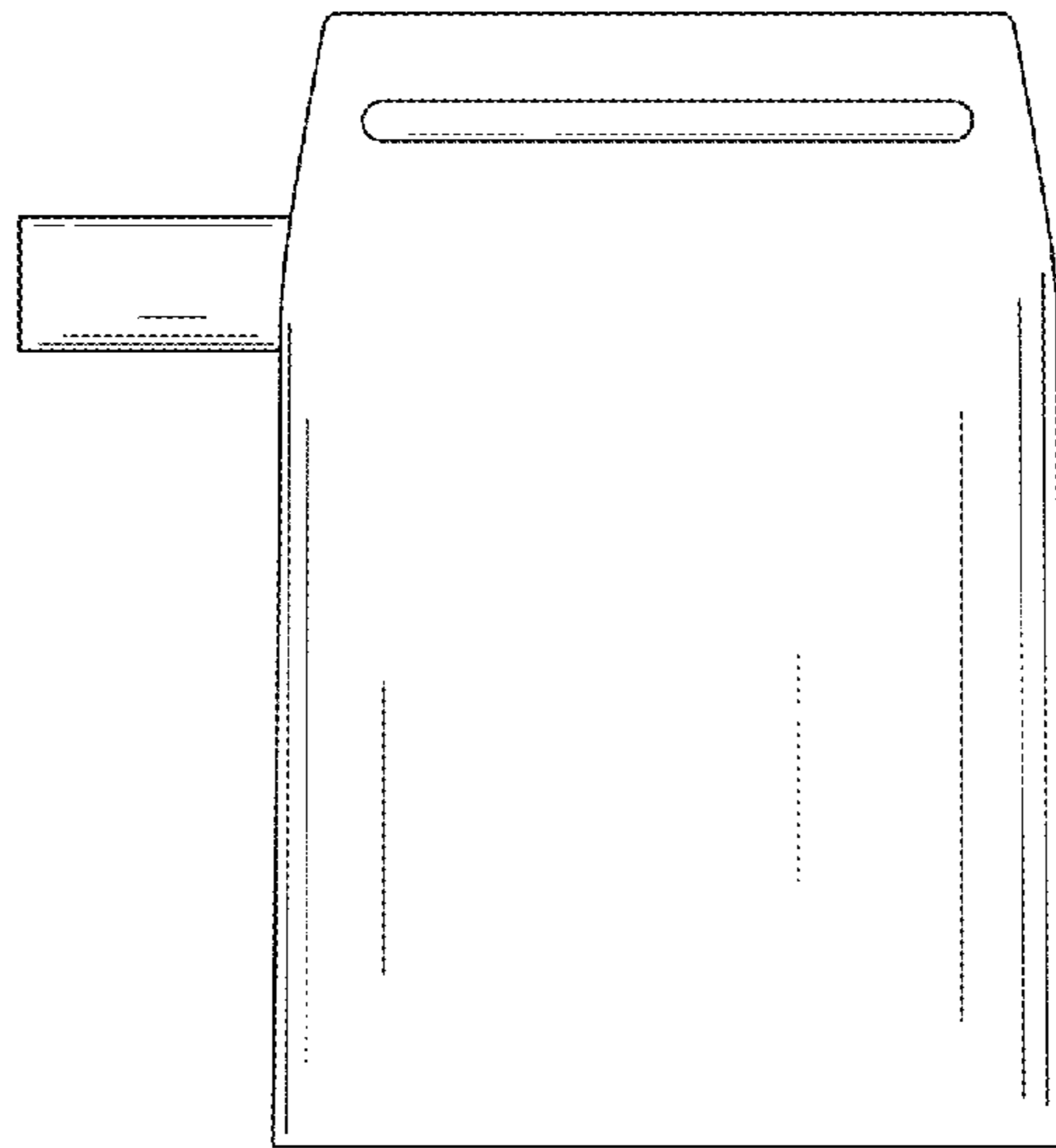


FIG. 4

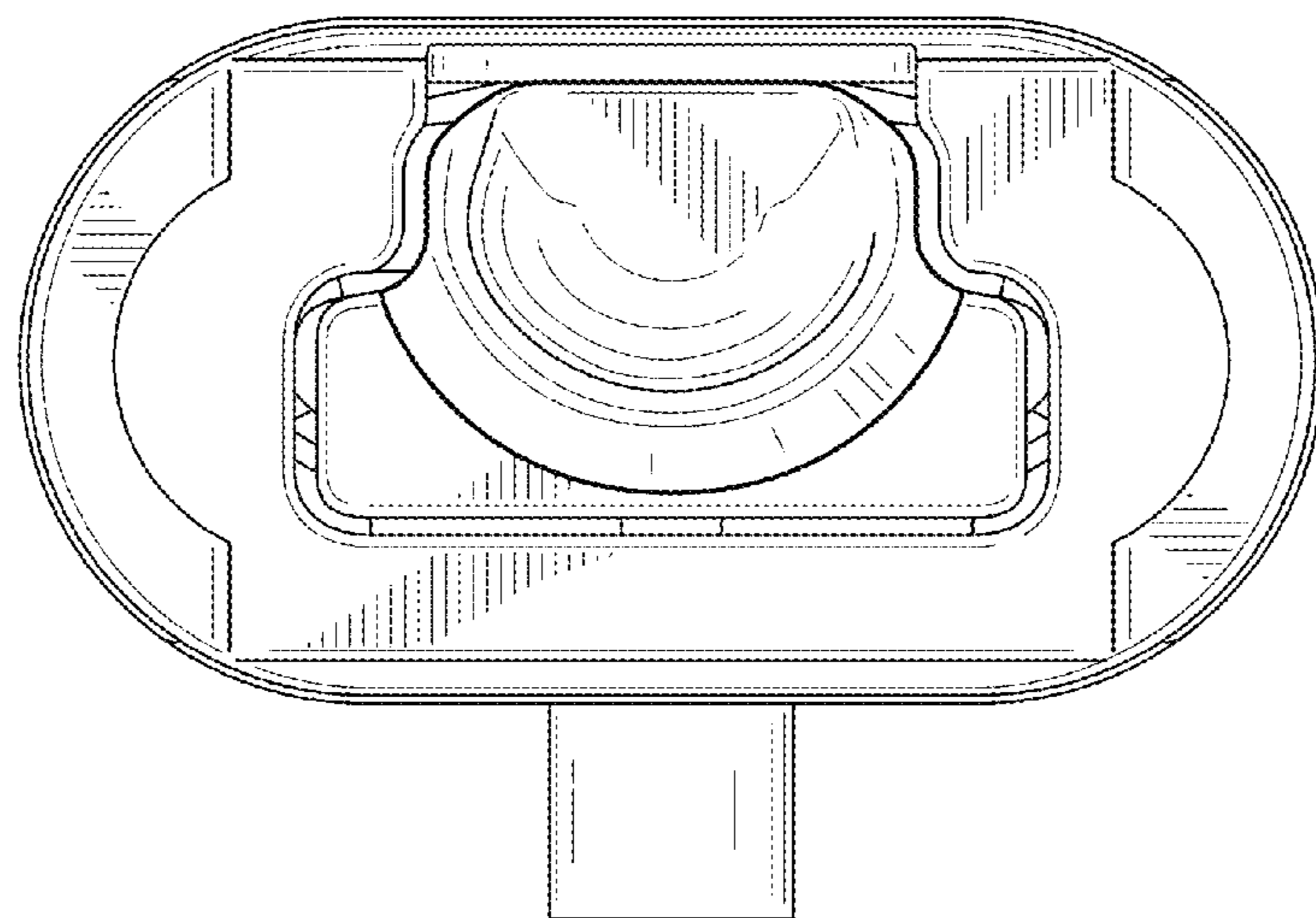


FIG. 5

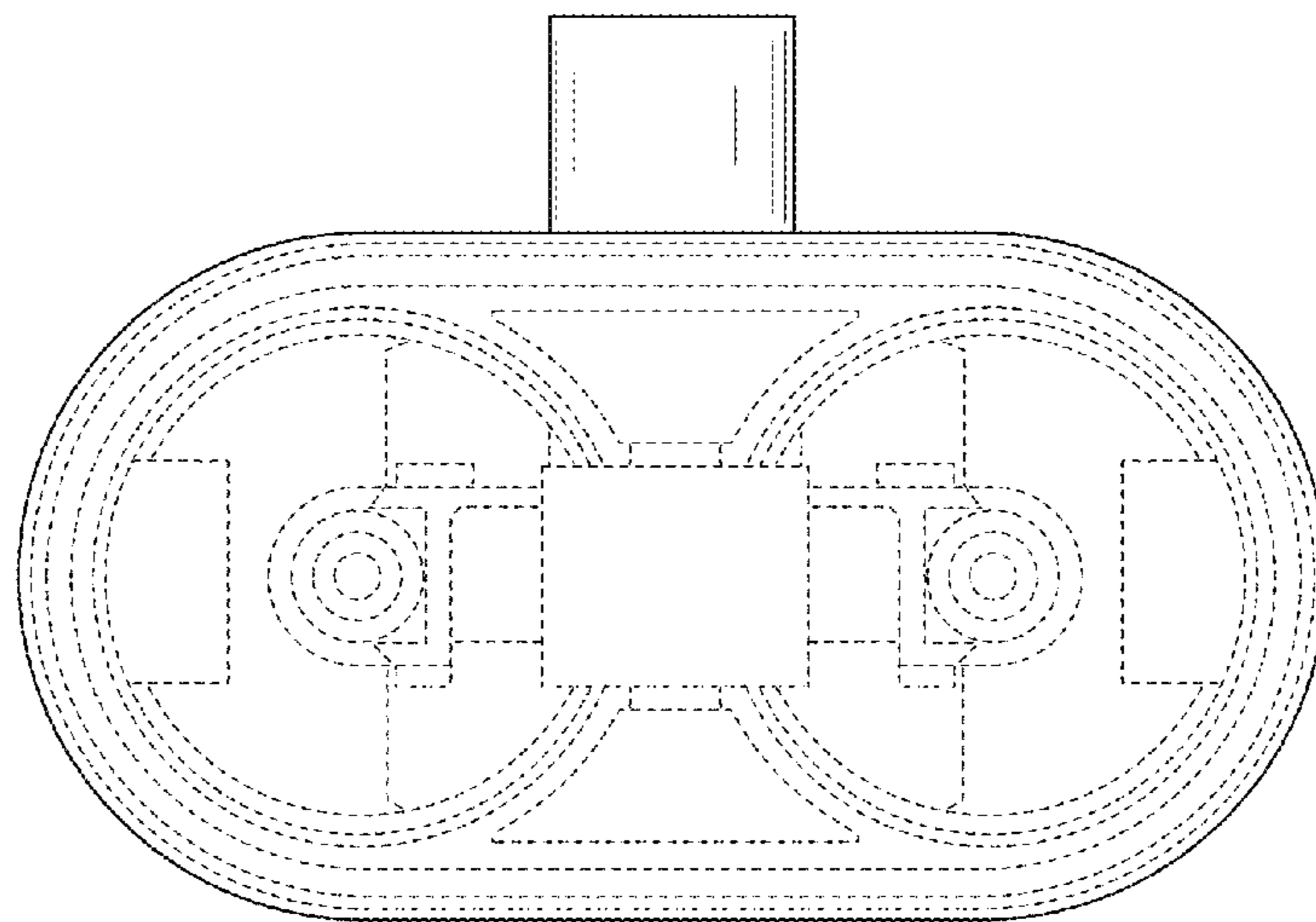


FIG. 6