



US00D668149S

(12) **United States Design Patent**  
**Bessinger et al.**

(10) **Patent No.:** **US D668,149 S**  
(45) **Date of Patent:** **\*\* Oct. 2, 2012**

(54) **MIRRORED DISPENSING CAP FOR A LOTION CONTAINER**

(76) Inventors: **Glenn Todd Bessinger**, Honolulu, HI (US); **Robert Issac Berg**, Blaine, WA (US)

(\*\*) Term: **14 Years**

(21) Appl. No.: **29/392,274**

(22) Filed: **May 19, 2011**

(51) **LOC (9) Cl.** ..... **09-07**

(52) **U.S. Cl.** ..... **D9/436; D9/449**

(58) **Field of Classification Search** ..... D9/456, D9/455, 434; D3/328, 319, 313, 295, 294, D3/273, 203.8, 203.6, 203.1, 201; D25/141, D25/125, 123, 115, 114, 113; 428/152, 150, 428/141; 410/154

See application file for complete search history.

(56) **References Cited**

U.S. PATENT DOCUMENTS

4,852,770	A *	8/1989	Sledge et al.	.....	222/153.14
5,732,722	A *	3/1998	Mortvedt	.....	132/325
D438,799	S *	3/2001	Anderson	.....	D9/449
6,557,728	B1 *	5/2003	Anderson et al.	.....	222/39
D493,014	S *	7/2004	Hadtke et al.	.....	D28/66
D504,819	S *	5/2005	Kelley et al.	.....	D9/454
D525,526	S *	7/2006	Abbott et al.	.....	D9/449
D576,876	S *	9/2008	Mount	.....	D9/449

\* cited by examiner

*Primary Examiner* — Susan Bennett Hattan

(74) *Attorney, Agent, or Firm* — Westerman, Hattori, Daniels & Adrian, LLP

(57) **CLAIM**

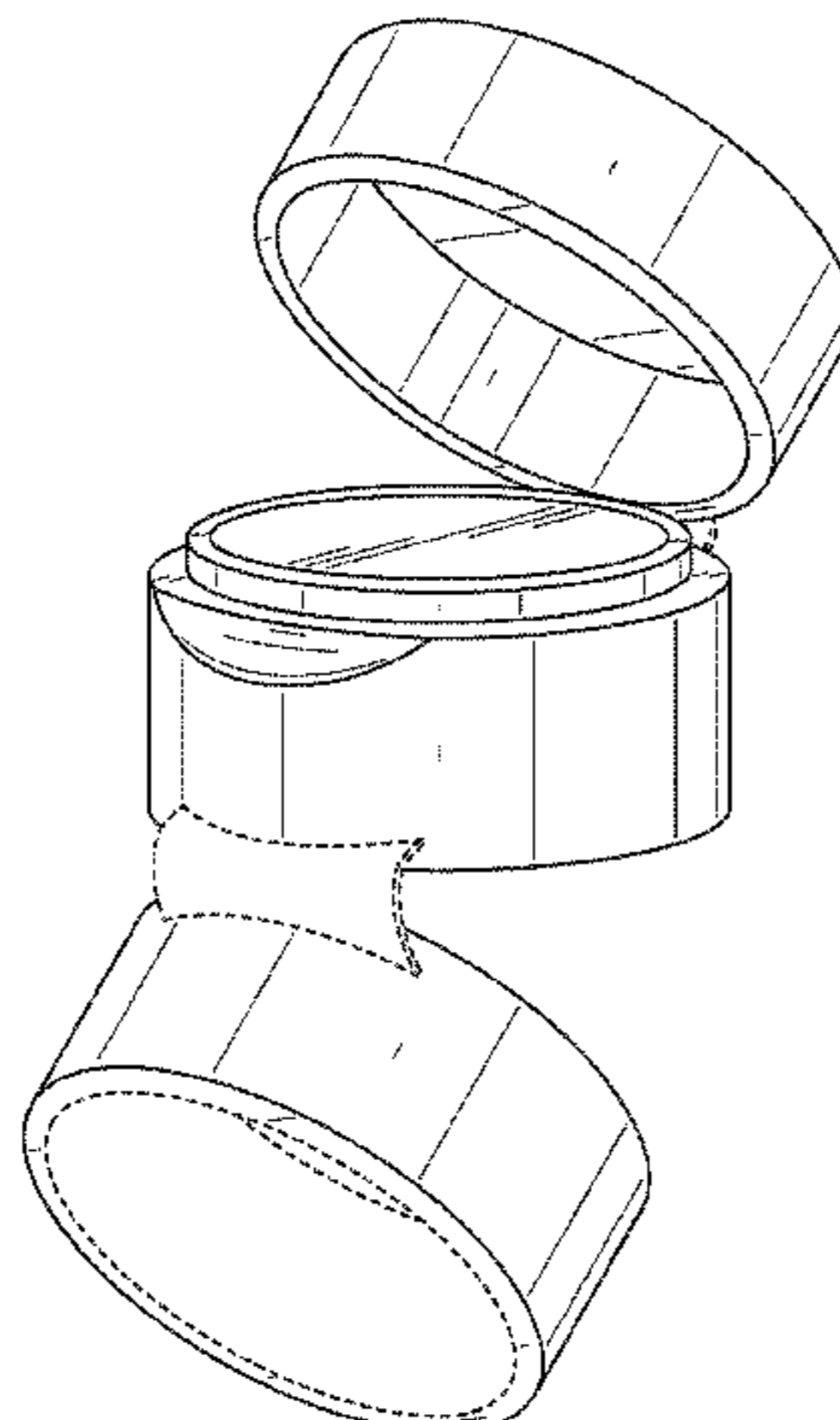
The ornamental design for a mirrored dispensing cap for a lotion container, as shown and described.

**DESCRIPTION**

FIG. 1 is an upper right/front perspective view of a first embodiment of a mirrored dispensing cap for a lotion container, with the cap shown in a fully closed state;

FIG. 2 is front-side view thereof;  
 FIG. 3 is back-side view thereof;  
 FIG. 4 is left-side view thereof;  
 FIG. 5 is right-side view thereof;  
 FIG. 6 is a top view thereof;  
 FIG. 7 is a bottom view thereof;  
 FIG. 8 is an upper front/right perspective view thereof, with a top cap segment shown in an opened state and with a bottom cap segment shown in a closed state;  
 FIG. 9 is an upper back/left perspective view thereof, with a bottom cap segment shown in an opened state and with a top cap segment shown in a closed state;  
 FIG. 10 is an upper front/right perspective view thereof, with both a top cap segment and a bottom cap segment shown in an opened state;  
 FIG. 11 is a left-side view thereof, with both the top cap segment and the bottom cap segment shown in an opened state, the right-side view, not shown, being a mirror-image of the left-side view;  
 FIG. 12 is a front-side view thereof, with the cap shown in a fully closed state and depicted on top of a lotion container,  
 FIG. 13 is a left-side view thereof, with the cap shown in a fully closed state and depicted on top of a lotion container, the right-side view, not shown, being a mirror-image of the left-side view;  
 FIG. 14 is an upper front/right perspective view thereof, with the cap shown in a fully closed state and depicted on top of a lotion container,  
 FIG. 15 is front-side view of a second embodiment of a mirrored dispensing cap for a lotion container that is the same in all respects to the first embodiment, but depicts a middle cap having a shorter height;  
 FIG. 16 is a back-side view thereof;  
 FIG. 17 is left-side view thereof; and,  
 FIG. 18 is right-side view thereof.  
 The broken lines in the drawings depict environment only, and form no part of the claimed design.  
 The top surface of the middle segment shown in FIGS. 8 and 10 includes a mirrored surface that extends entirely within the raised circular ridge.

**1 Claim, 15 Drawing Sheets**



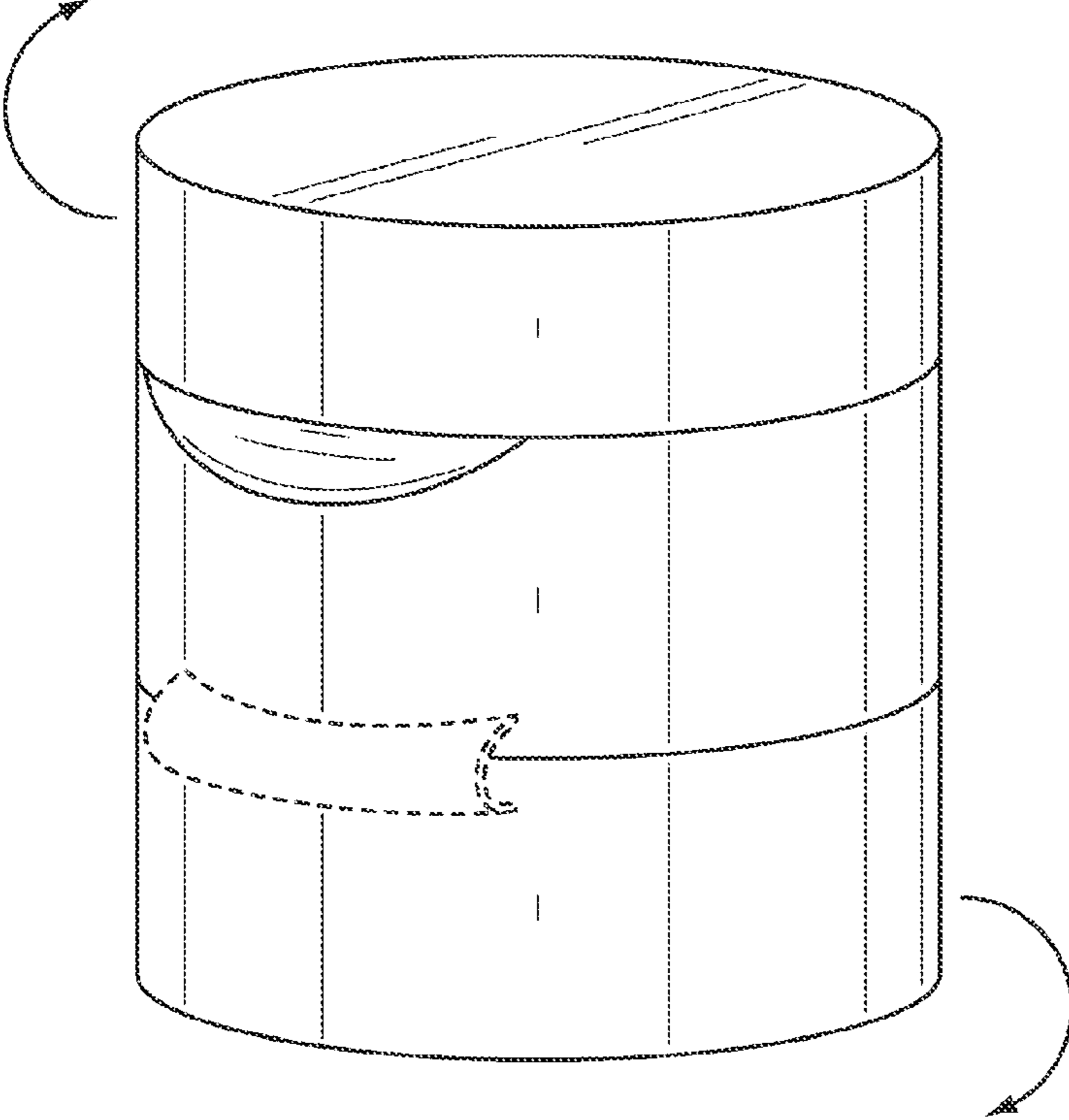


FIG. 1

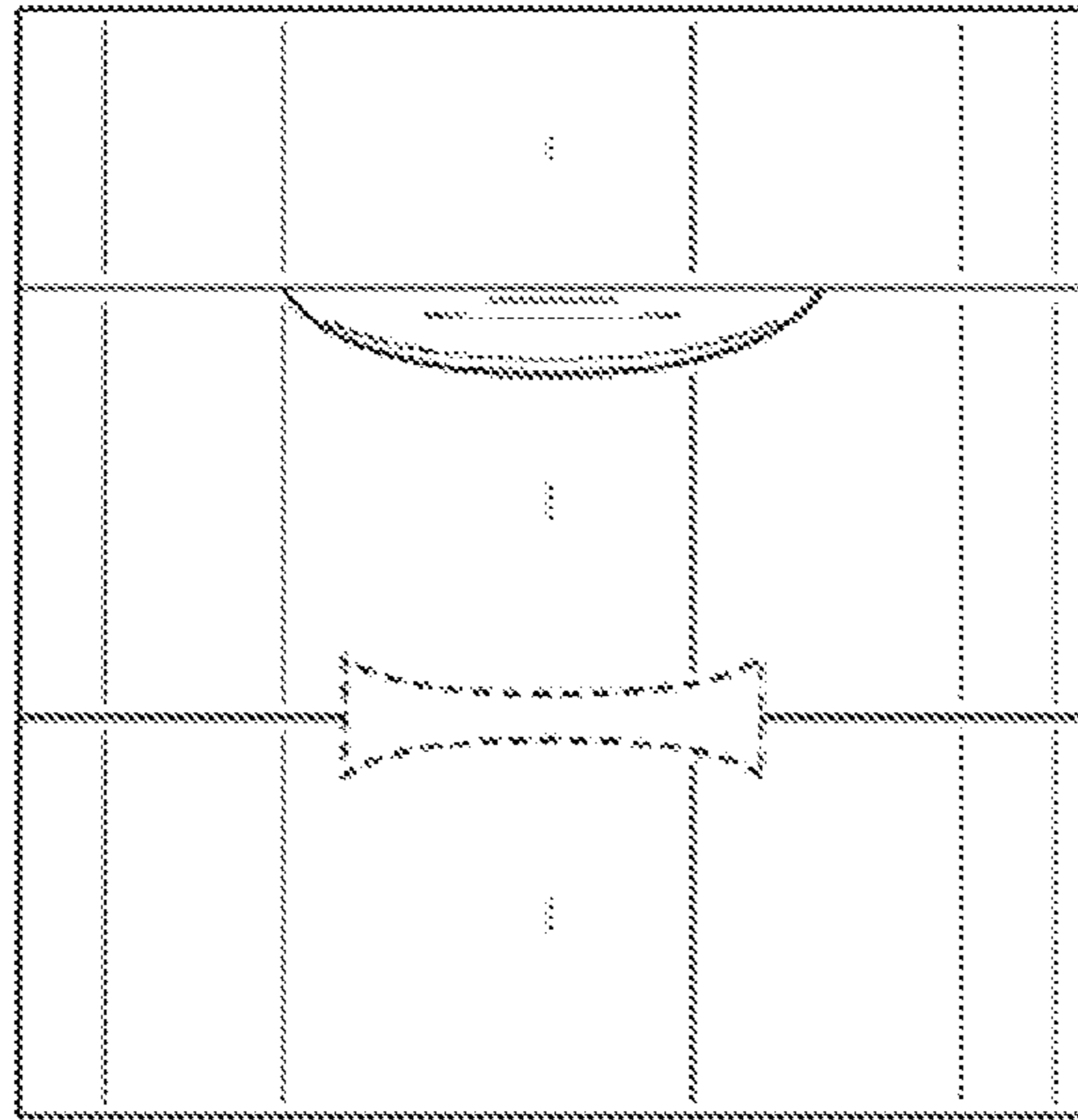


FIG. 2

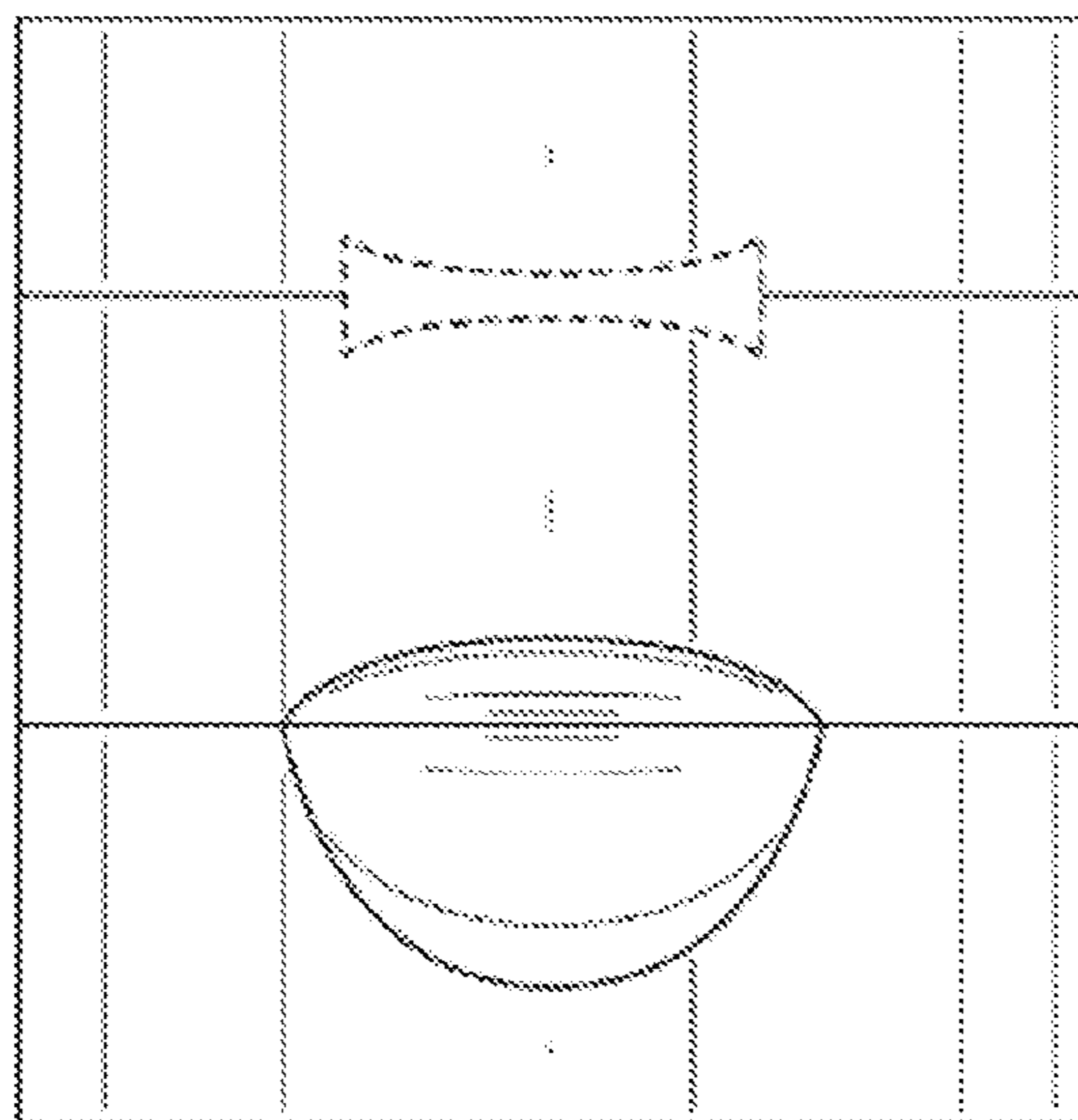


FIG. 3

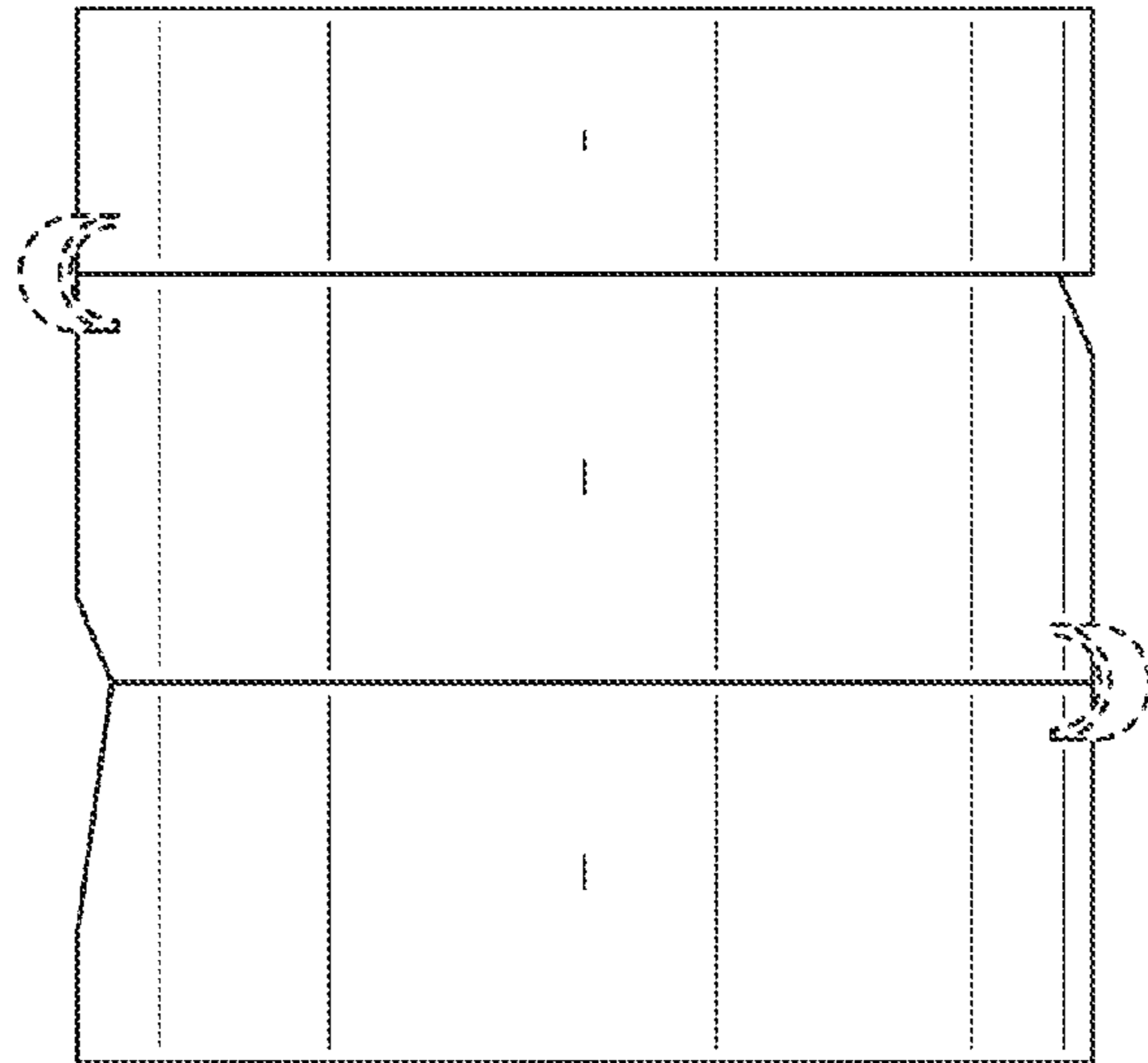


FIG. 4

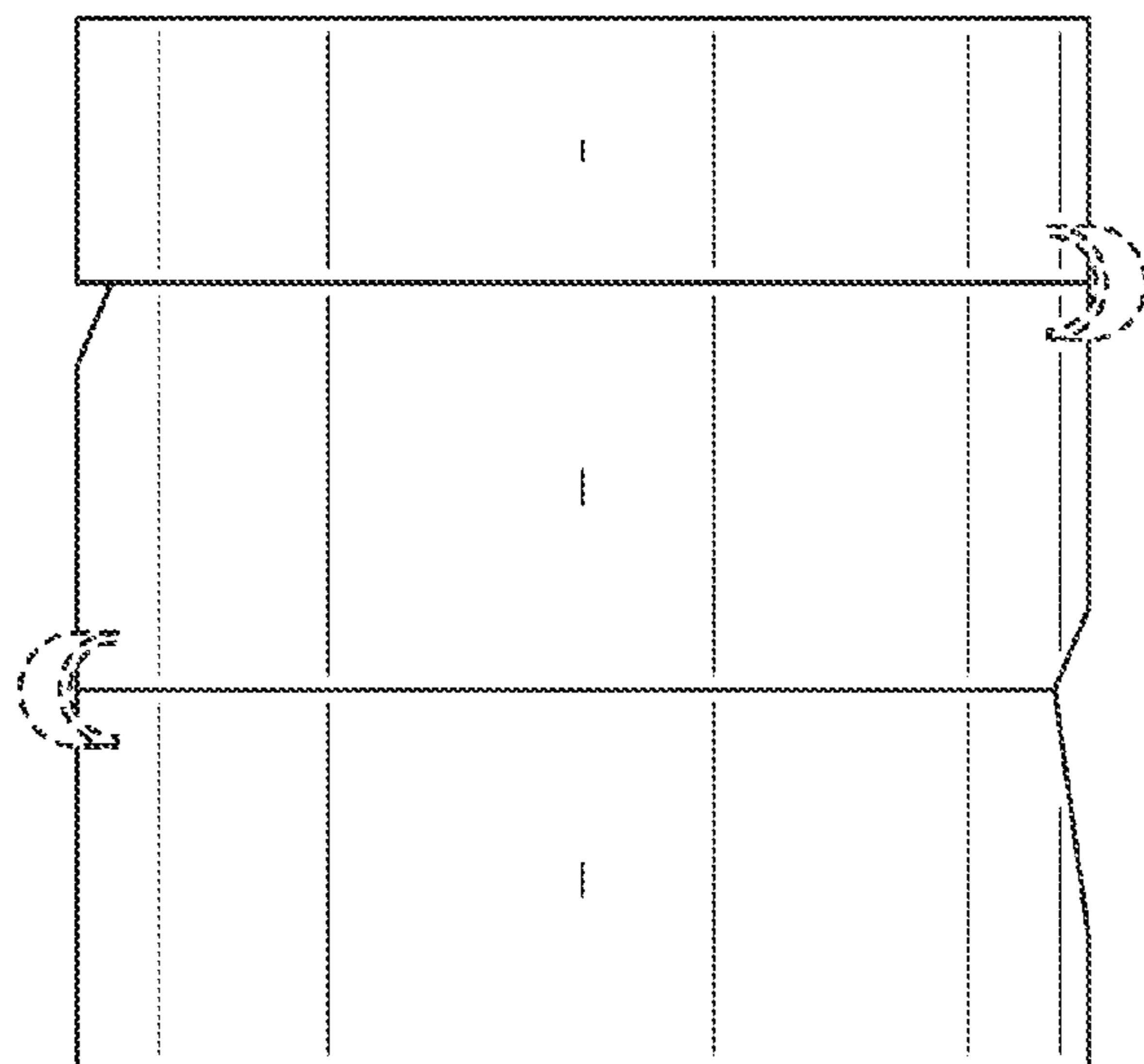


FIG. 5

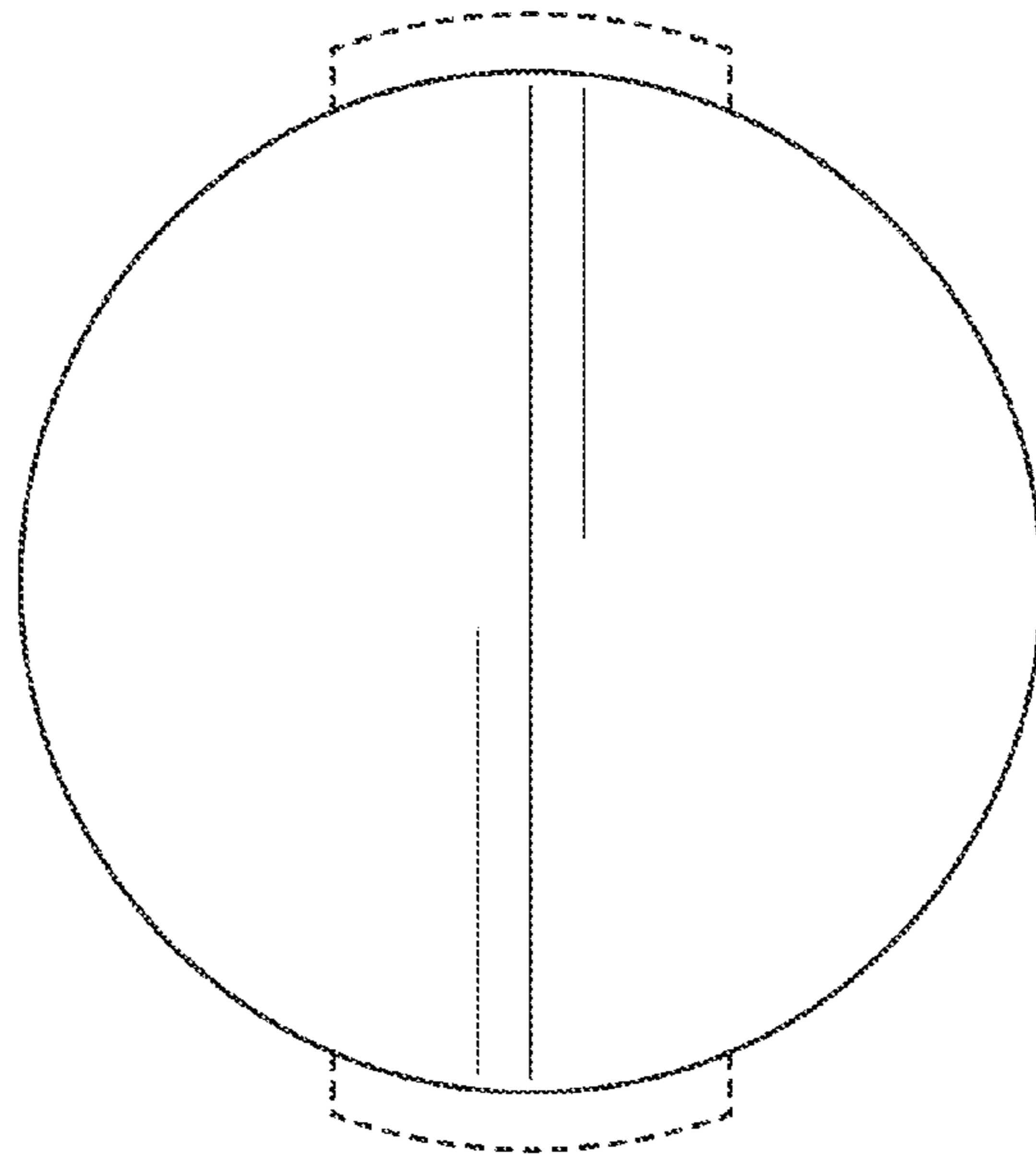


FIG. 6

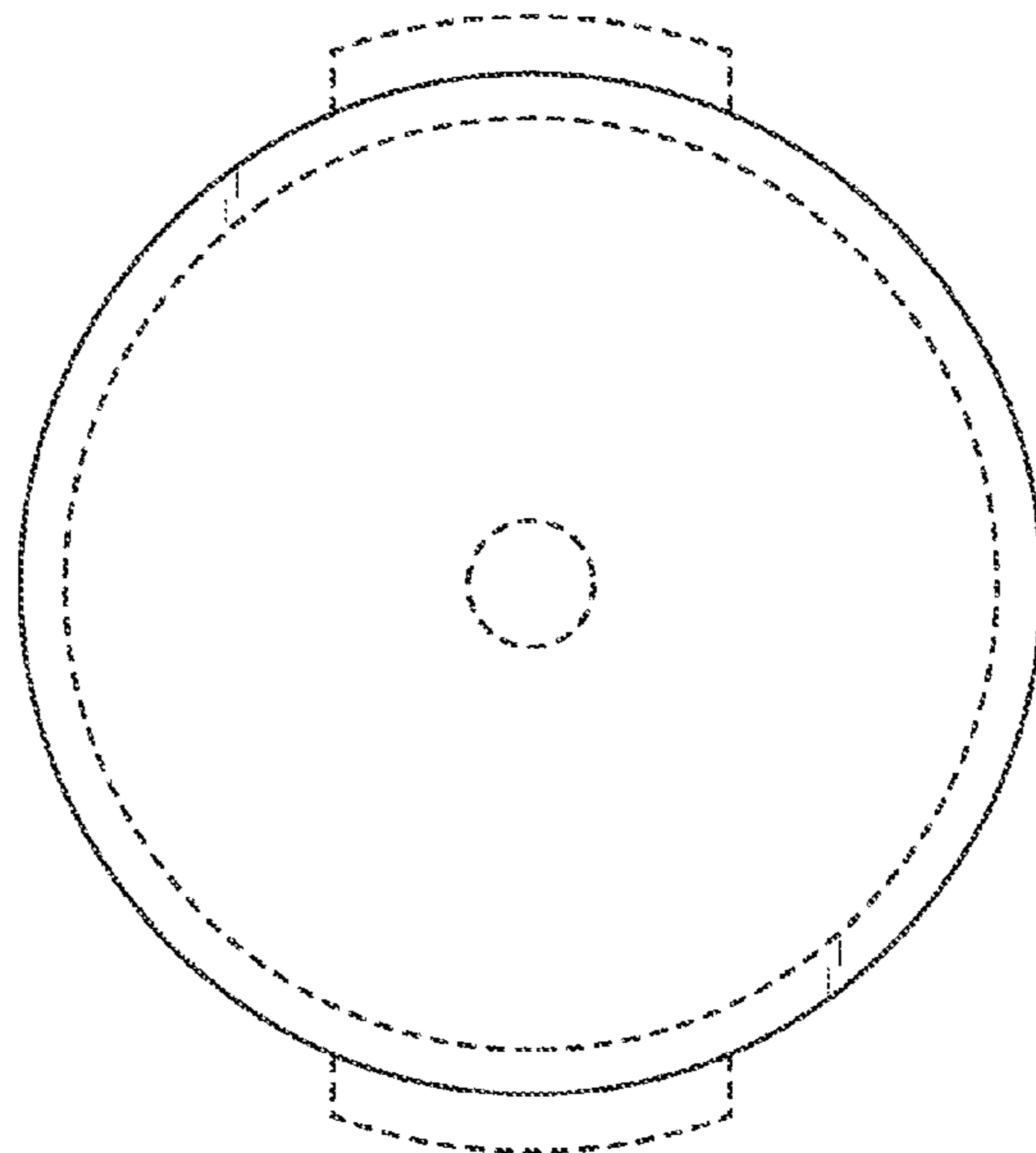


FIG. 7

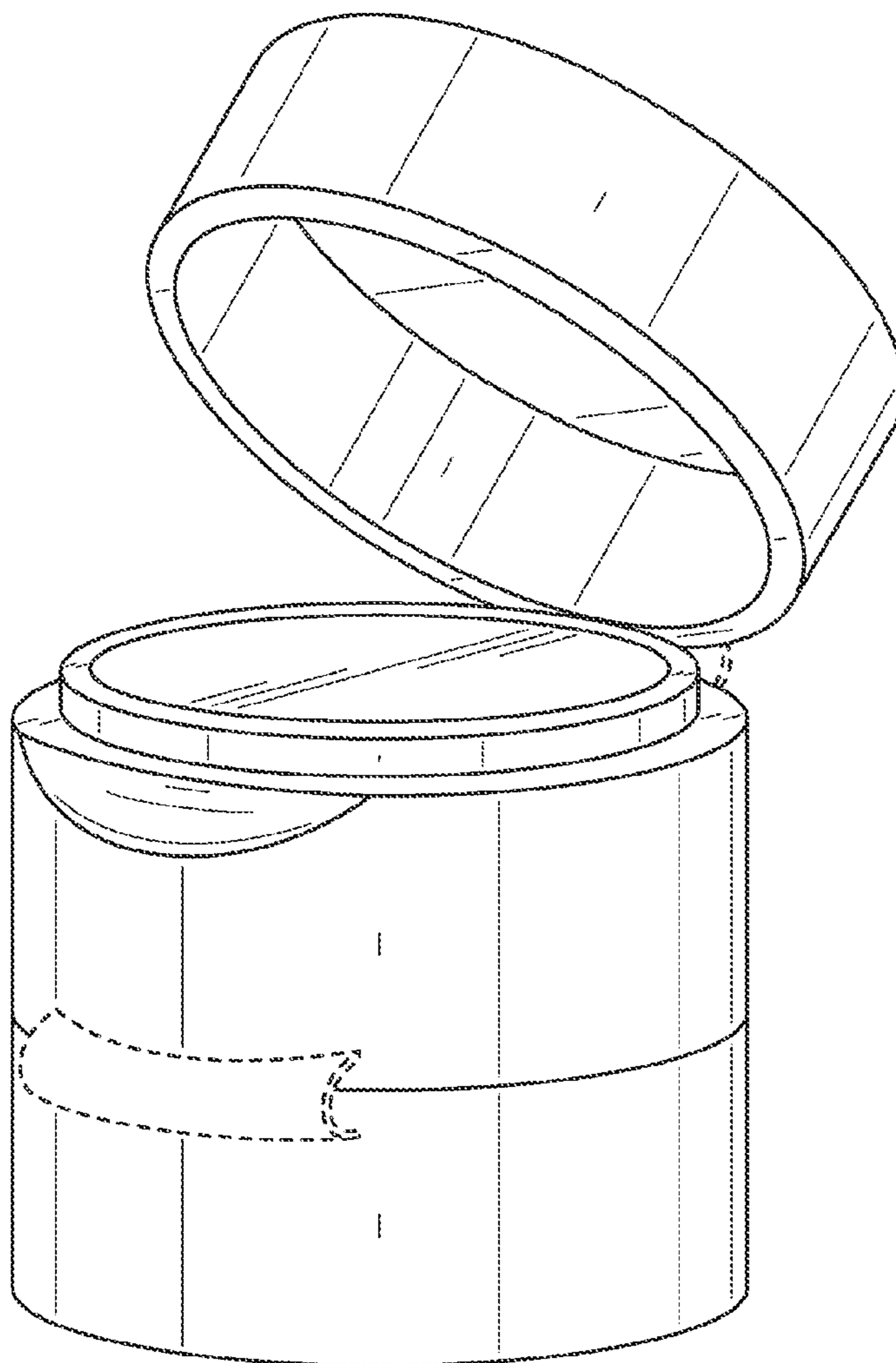


FIG. 8

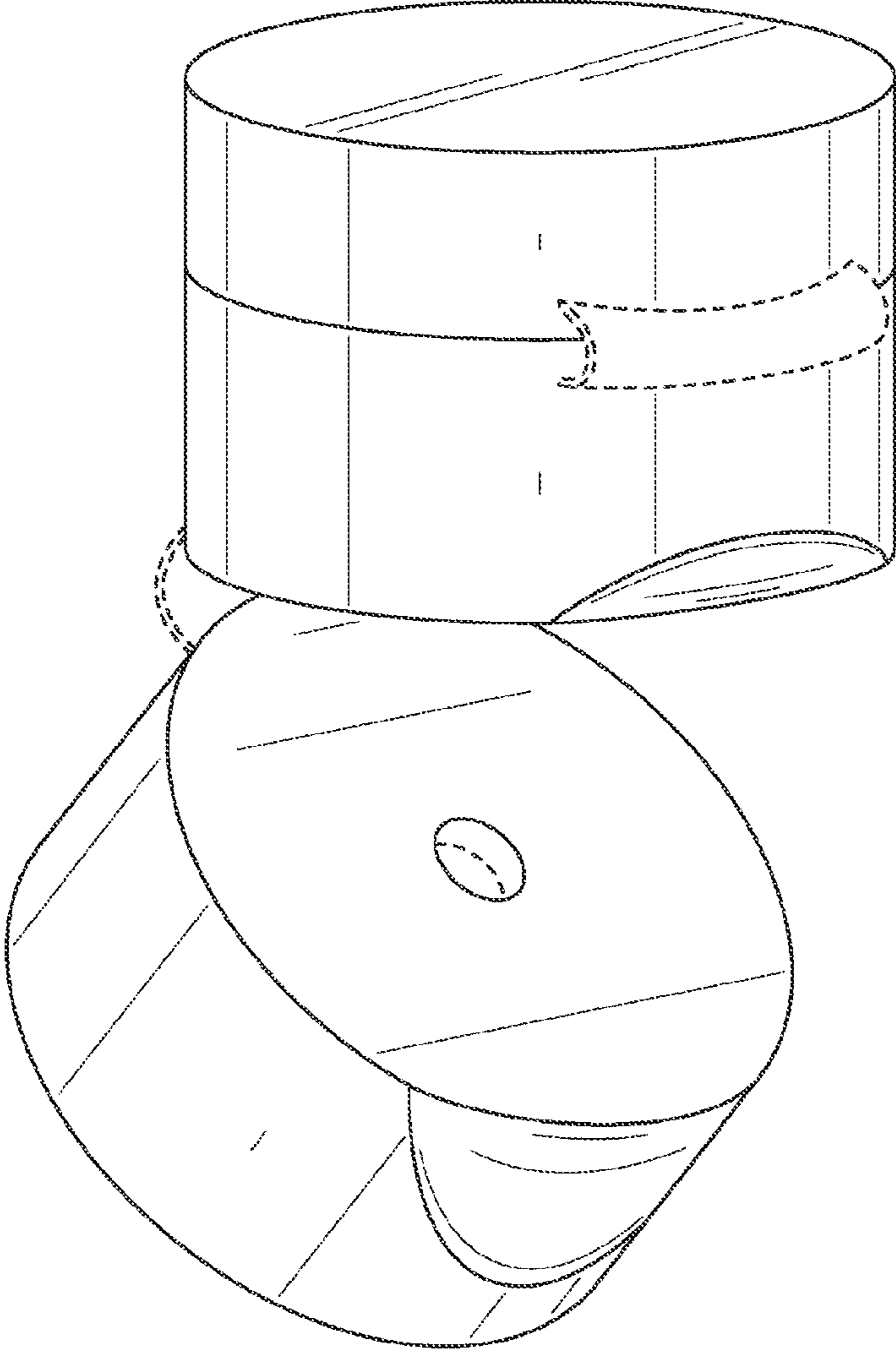


FIG. 9

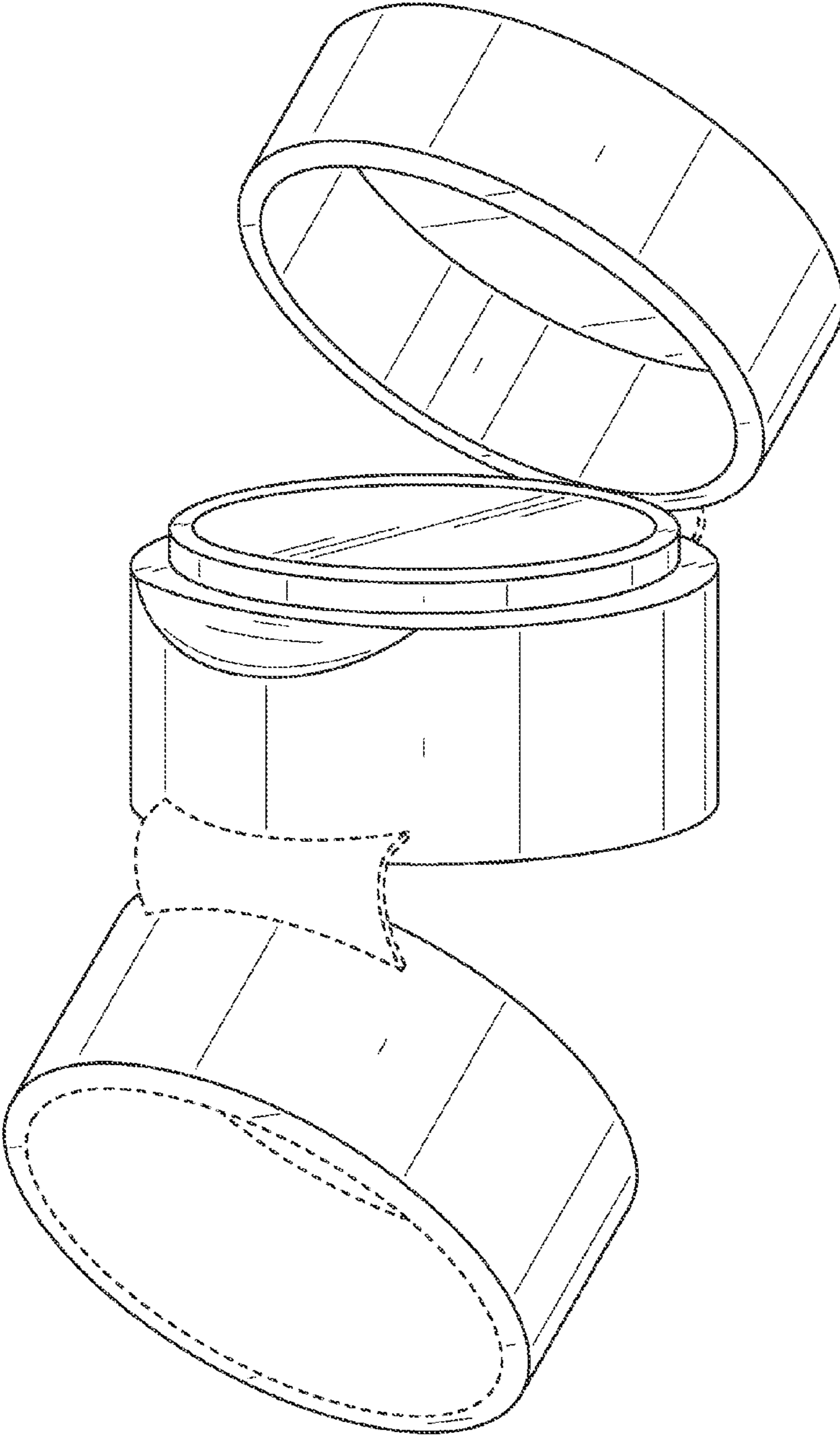


FIG. 10



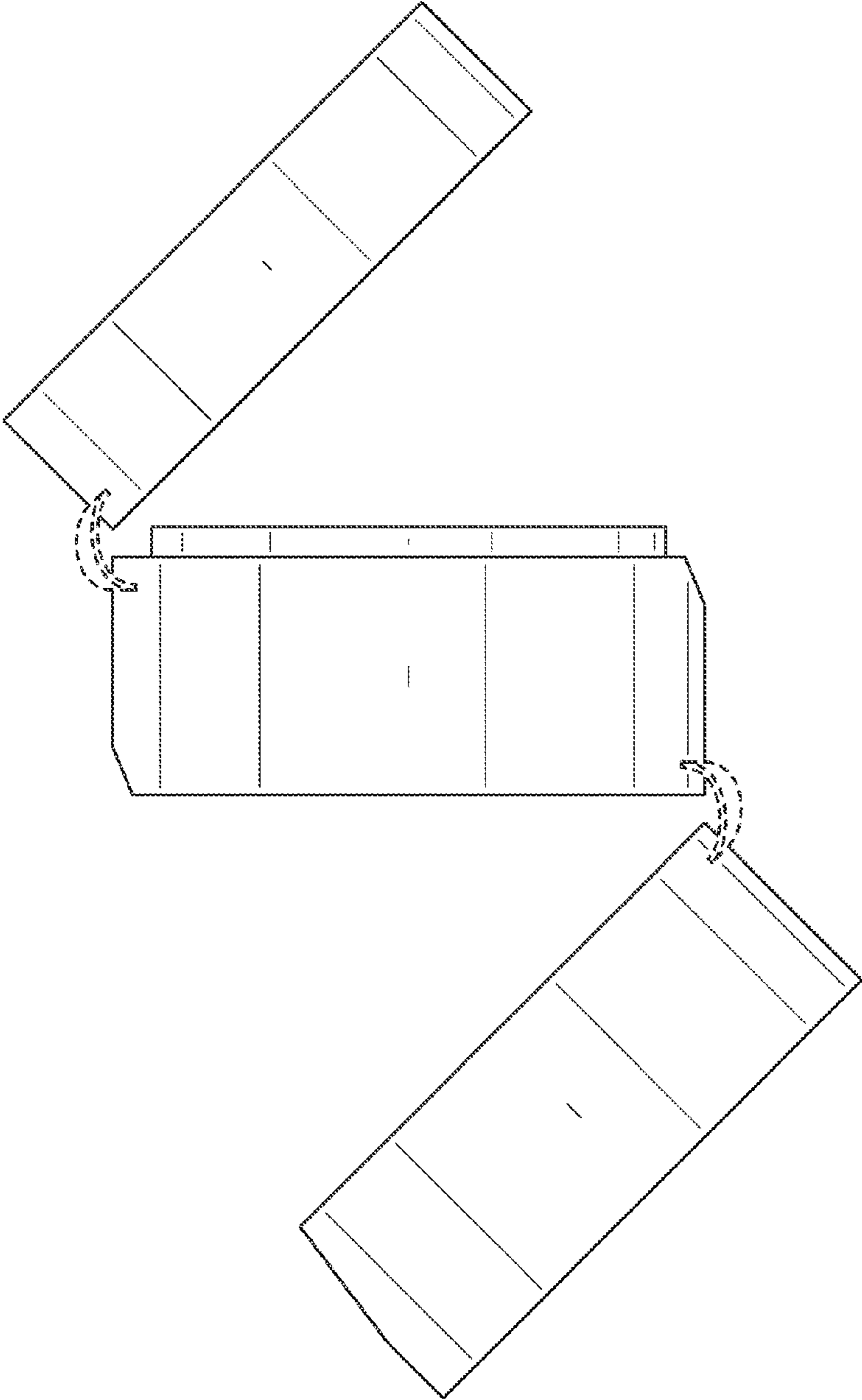


FIG. 11

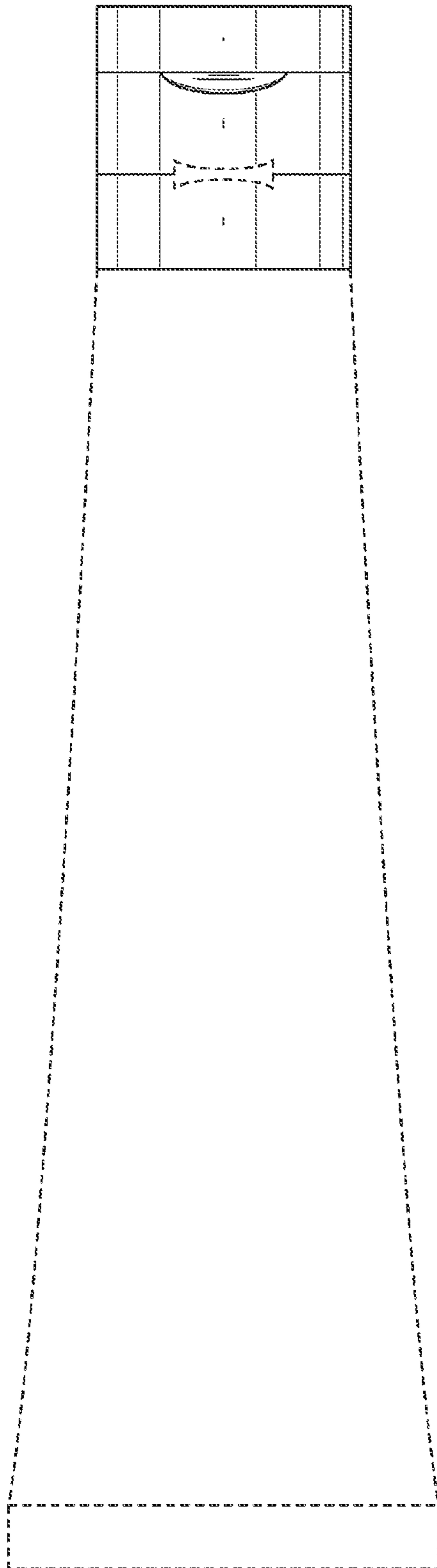


FIG. 12

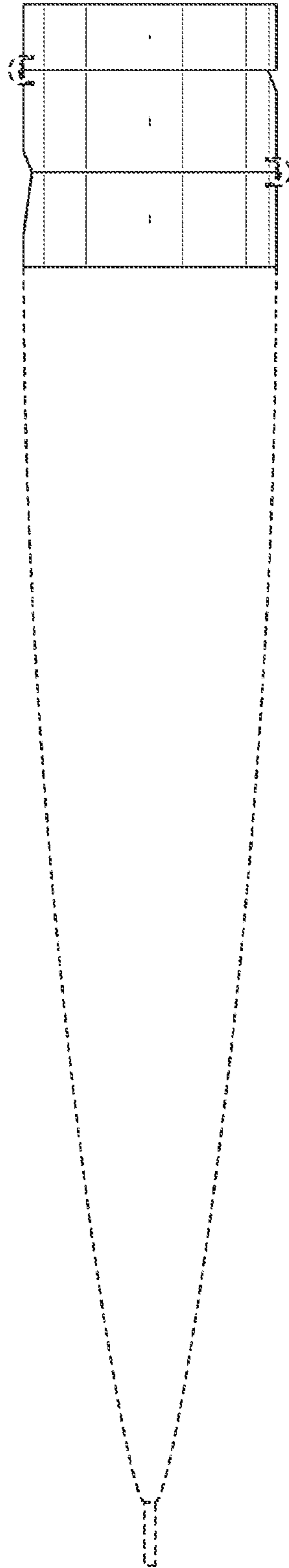


FIG. 13

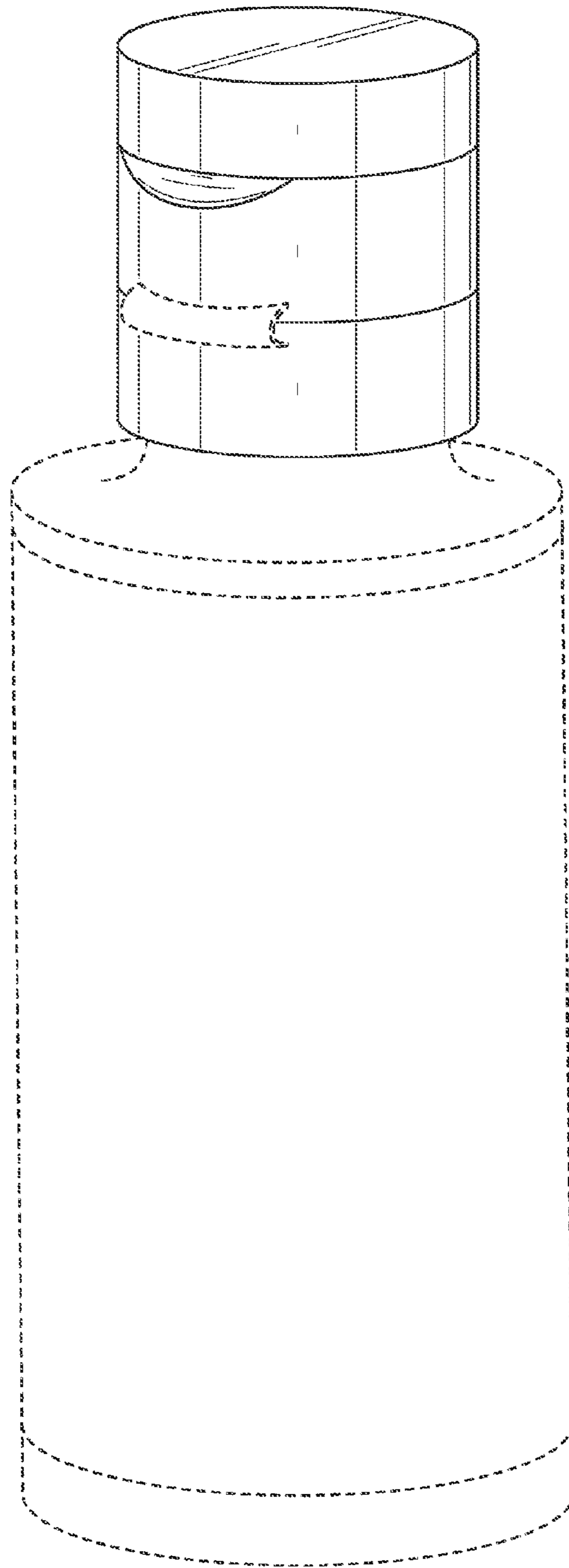
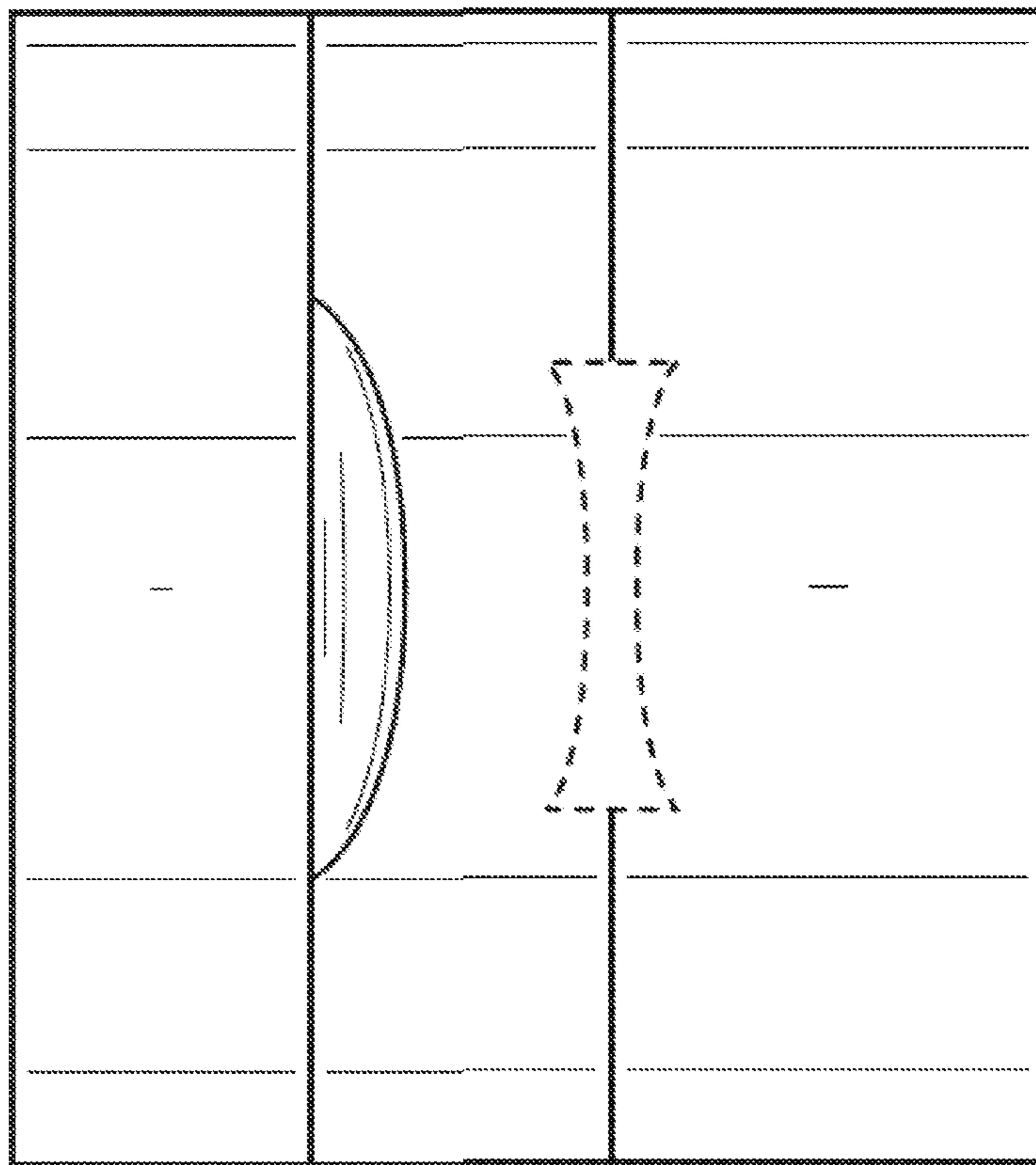
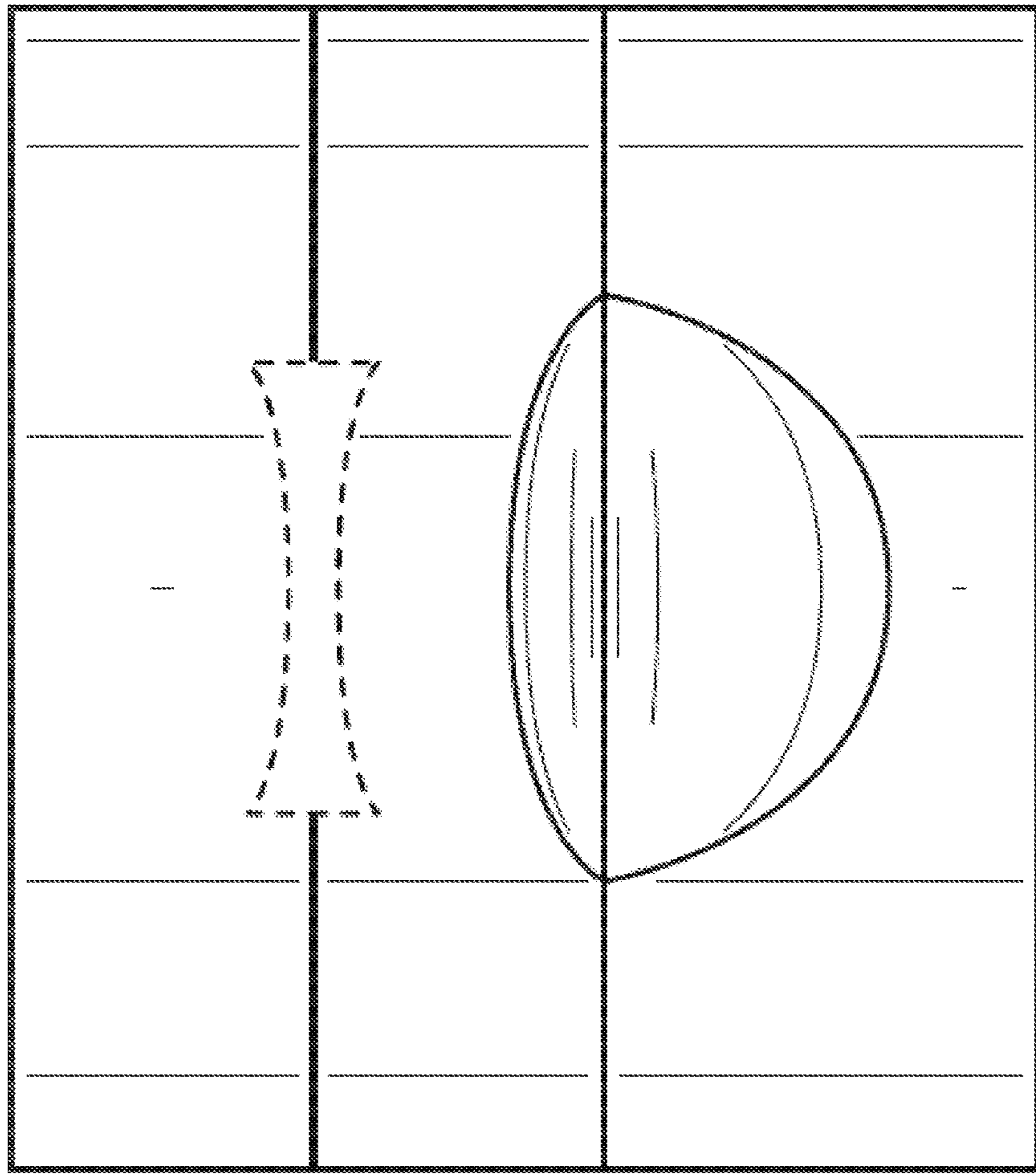


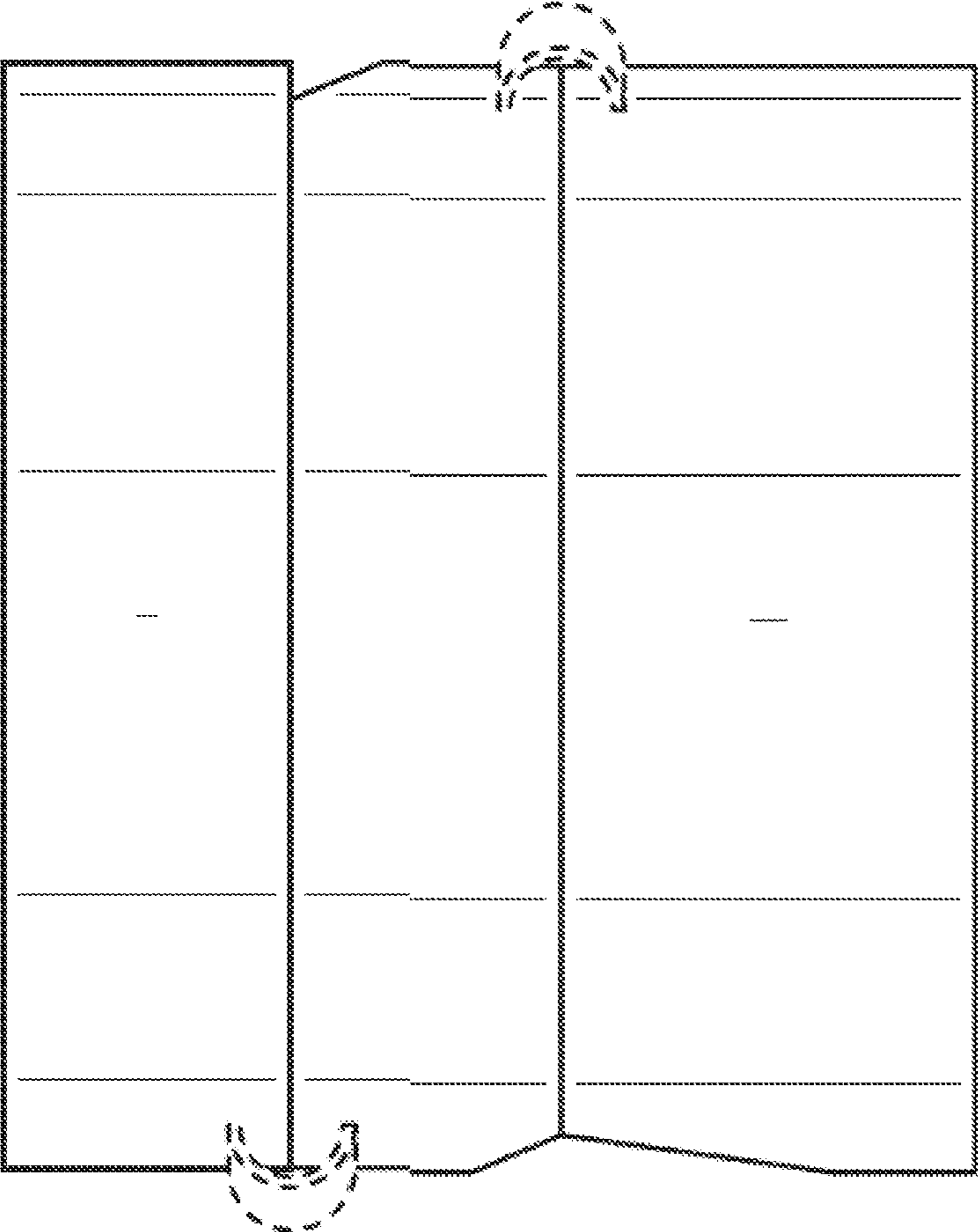
FIG. 14



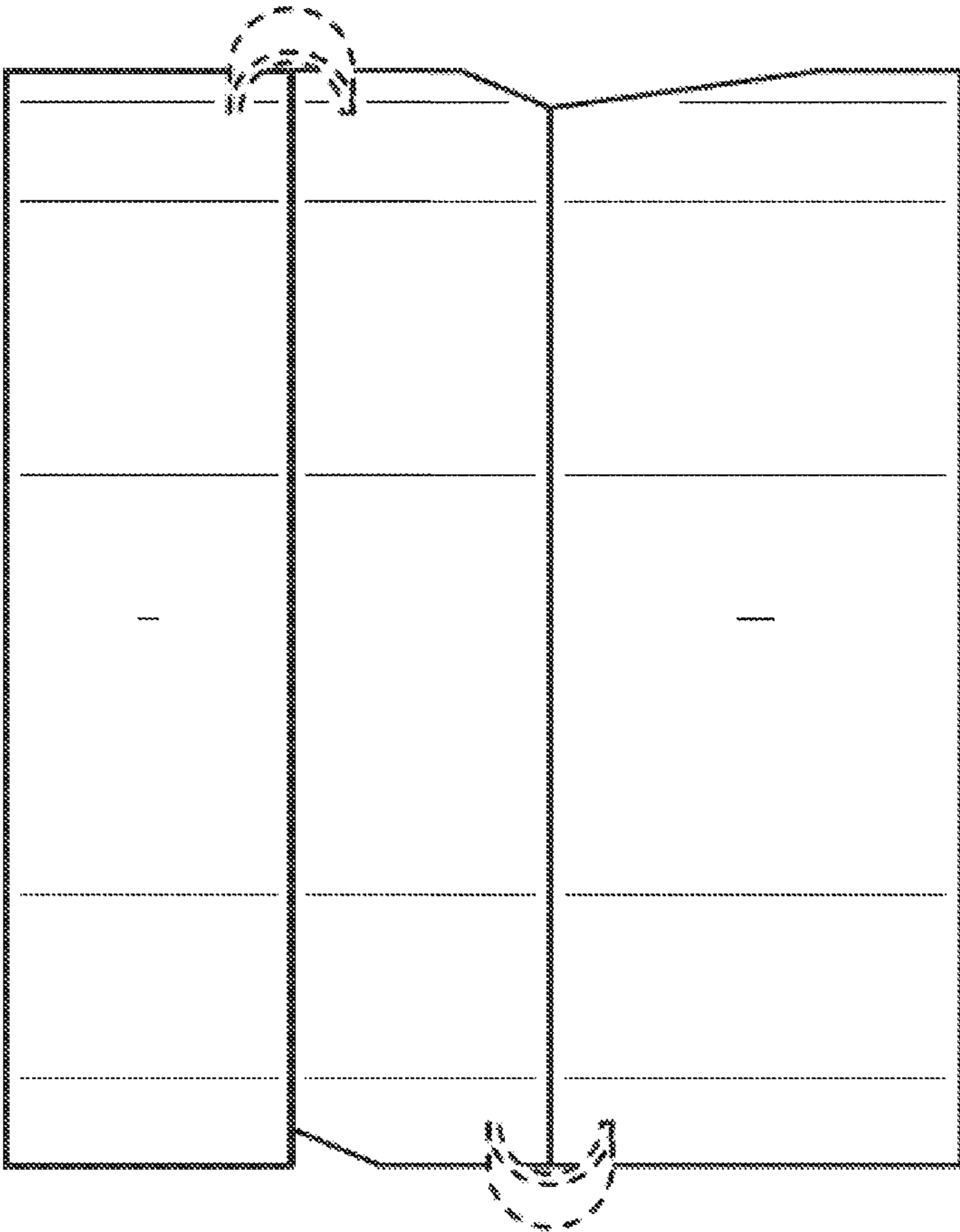
**FIG. 15**



**FIG. 16**



**FIG. 17**



**FIG. 18**