

US00D668143S

(12) **United States Design Patent**
Akana et al.

(10) **Patent No.:** **US D668,143 S**
(45) **Date of Patent:** **** Oct. 2, 2012**

(54) **ELECTRONIC DEVICE AND PACKAGING THEREFOR**

(56) **References Cited**

(75) Inventors: **Jody Akana**, San Francisco, CA (US); **Bartley K. Andre**, Menlo Park, CA (US); **Jeremy Bataillou**, San Francisco, CA (US); **Daniel J. Coster**, San Francisco, CA (US); **Daniele De Iuliis**, San Francisco, CA (US); **M. Evans Hankey**, San Francisco, CA (US); **Richard P. Howarth**, San Francisco, CA (US); **Jonathan P. Ive**, San Francisco, CA (US); **Duncan Robert Kerr**, San Francisco, CA (US); **Shin Nishibori**, Kailua, HI (US); **Matthew Dean Rohrbach**, San Francisco, CA (US); **Peter Russell-Clarke**, San Francisco, CA (US); **Christopher J. Stringer**, Woodside, CA (US); **Eugene Antony Whang**, San Francisco, CA (US); **Rico Zorkendorfer**, San Francisco, CA (US)

(73) Assignee: **Apple Inc.**, Cupertino, CA (US)

(**) Term: **14 Years**

(21) Appl. No.: **29/418,215**

(22) Filed: **Apr. 13, 2012**

Related U.S. Application Data

(63) Continuation of application No. 29/369,022, filed on Sep. 1, 2010, now Pat. No. Des. 658,492.

(51) **LOC (9) Cl.** **09-03**

(52) **U.S. Cl.** **D9/424; D14/496**

(58) **Field of Classification Search** D9/424, D9/414, 418-423, 425, 428-432, 435, 436, D9/455, 499; D3/202, 273, 328; D7/538, D7/601, 602, 604, 610, 612, 629; 206/486, 206/488, 490, 503, 504, 557, 562, 565, 521.1, 206/775, 776, 815, 822; 220/676, 781, 786, 220/789, 790, 793; 229/406, 407, 906, 915, 229/925; D28/76, 81, 83; D14/496

See application file for complete search history.

U.S. PATENT DOCUMENTS

D159,157	S	6/1950	Koester	
D255,400	S *	6/1980	McCroskery	D3/302
4,346,833	A	8/1982	Bernhardt	
4,750,619	A	6/1988	Cohen et al.	
5,012,928	A	5/1991	Proffitt et al.	
5,105,941	A	4/1992	Dolan et al.	
5,323,926	A *	6/1994	Pomroy et al.	220/526
D372,707	S	8/1996	Grewe et al.	
D387,982	S	12/1997	Kaplan	
6,102,233	A *	8/2000	Waugh	220/23.86
D473,054	S *	4/2003	Roehrig	D3/295
D484,646	S	12/2003	Ditrichstein	
D484,797	S	1/2004	Kipperman et al.	
D501,764	S	2/2005	Lerner	
D505,517	S	5/2005	Baresi et al.	
D514,931	S	2/2006	Snedden et al.	
D558,571	S	1/2008	Andre et al.	
D558,572	S	1/2008	Andre et al.	
D576,486	S	9/2008	Koza	
D580,752	S	11/2008	Andre et al.	
D582,267	S	12/2008	Andre et al.	
D584,142	S	1/2009	Andre et al.	
D596,485	S	7/2009	Andre et al.	
D604,605	S	11/2009	Chung et al.	
D616,741	S	6/2010	Andre et al.	
D620,795	S	8/2010	Andre et al.	
D621,256	S	8/2010	Andre et al.	
7,878,326	B2	2/2011	Andre et al.	

FOREIGN PATENT DOCUMENTS

JP	61040925	3/1986
KR	300253042	2/2000
KR	300267299	12/2000

OTHER PUBLICATIONS

U.S. Appl. No. 29/368,992, "Packaging", filed Aug. 31, 2010.

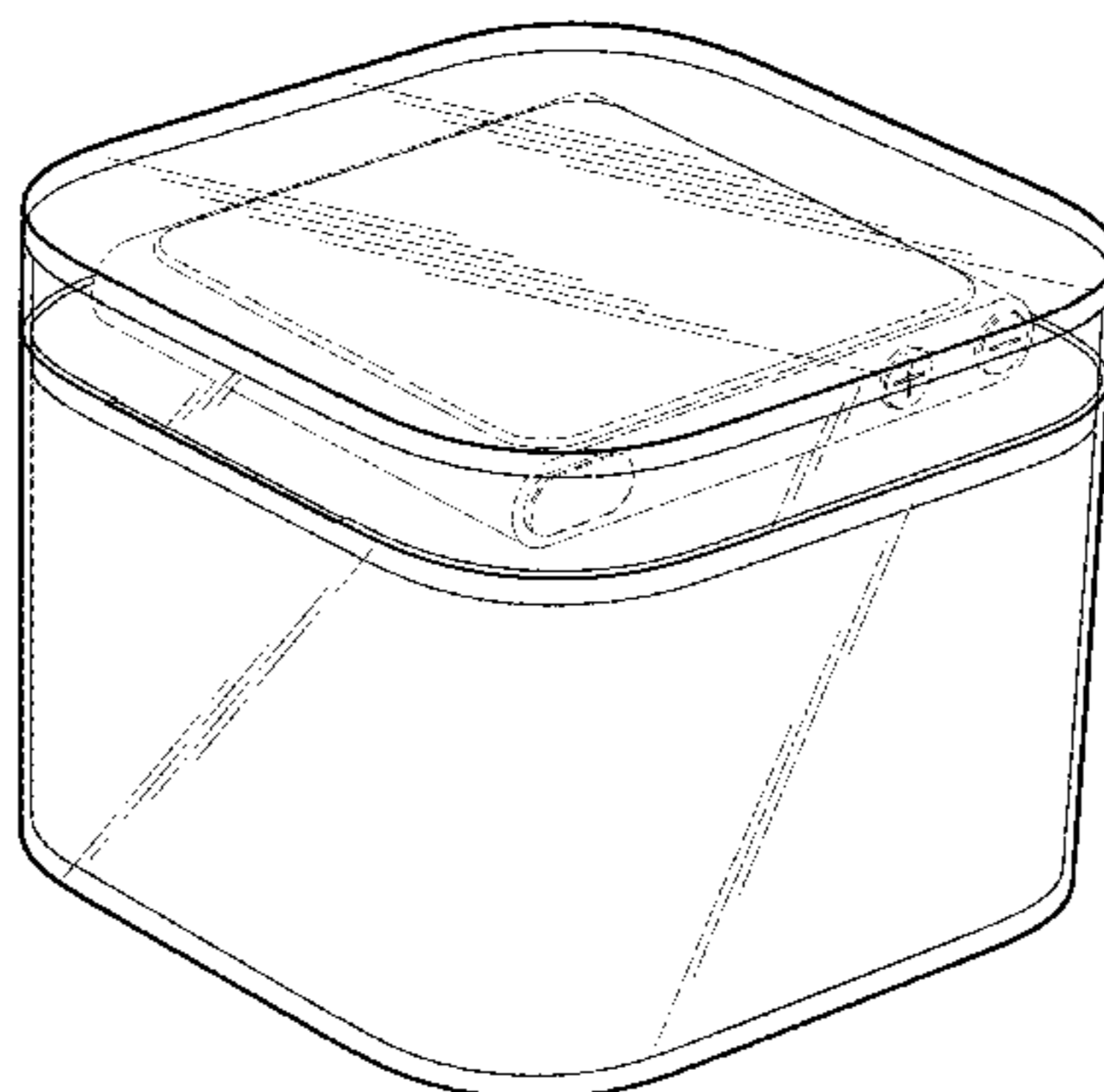
* cited by examiner

Primary Examiner — Derrick Holland

(74) *Attorney, Agent, or Firm* — Sterne, Kessler, Goldstein & Fox P.L.L.C.

(57) **CLAIM**

The ornamental design for an electronic device and packaging therefor, as shown and described.



DESCRIPTION

FIG. 1 is a top perspective view of an electronic device and packaging therefor showing our new design;

FIG. 2 is a bottom perspective view thereof;

FIG. 3 is a front view thereof, the rear view being a mirror image thereof;

FIG. 4 is a side view thereof, the other side view being a mirror image thereof;

FIG. 5 is a top view thereof;

FIG. 6 is a bottom view thereof;

FIG. 7 is another top perspective view thereof with the cover in an open position;

FIG. 8 is an exploded view of the electronic device and packaging therefor of FIG. 1;

FIG. 9 is a bottom perspective view of the electronic device and packaging therefor of FIG. 1 with the cover in an open position;

FIG. 10 is a front view thereof, the rear view being a mirror image thereof; and,

FIG. 11 is a side view thereof, the other side view being a mirror image thereof.

The shade lines in the Figures show transparency, and not surface ornamentation.

The broken lines show portions of the electronic device which form no part of the claimed design.

1 Claim, 11 Drawing Sheets

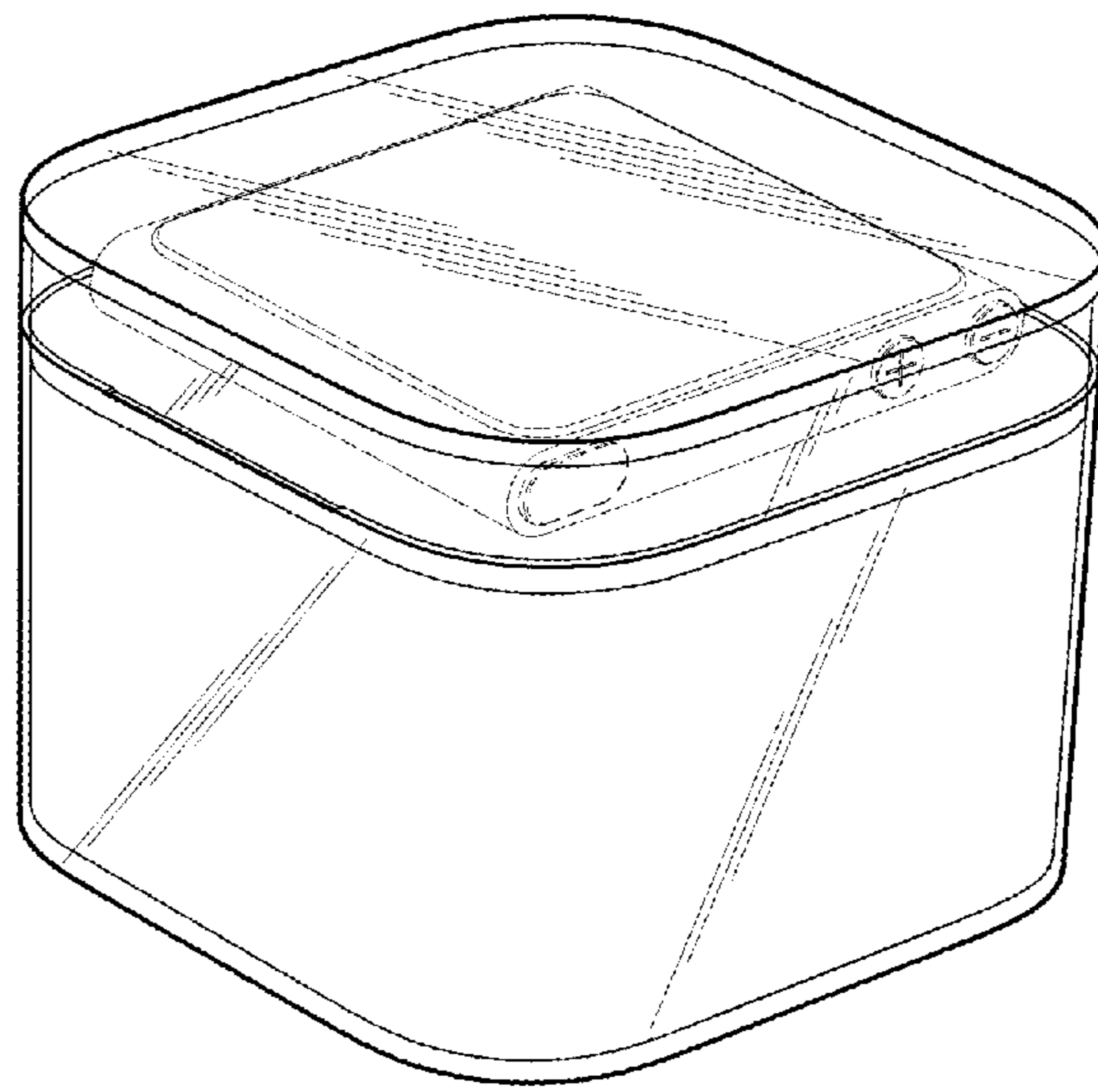


FIG. 1

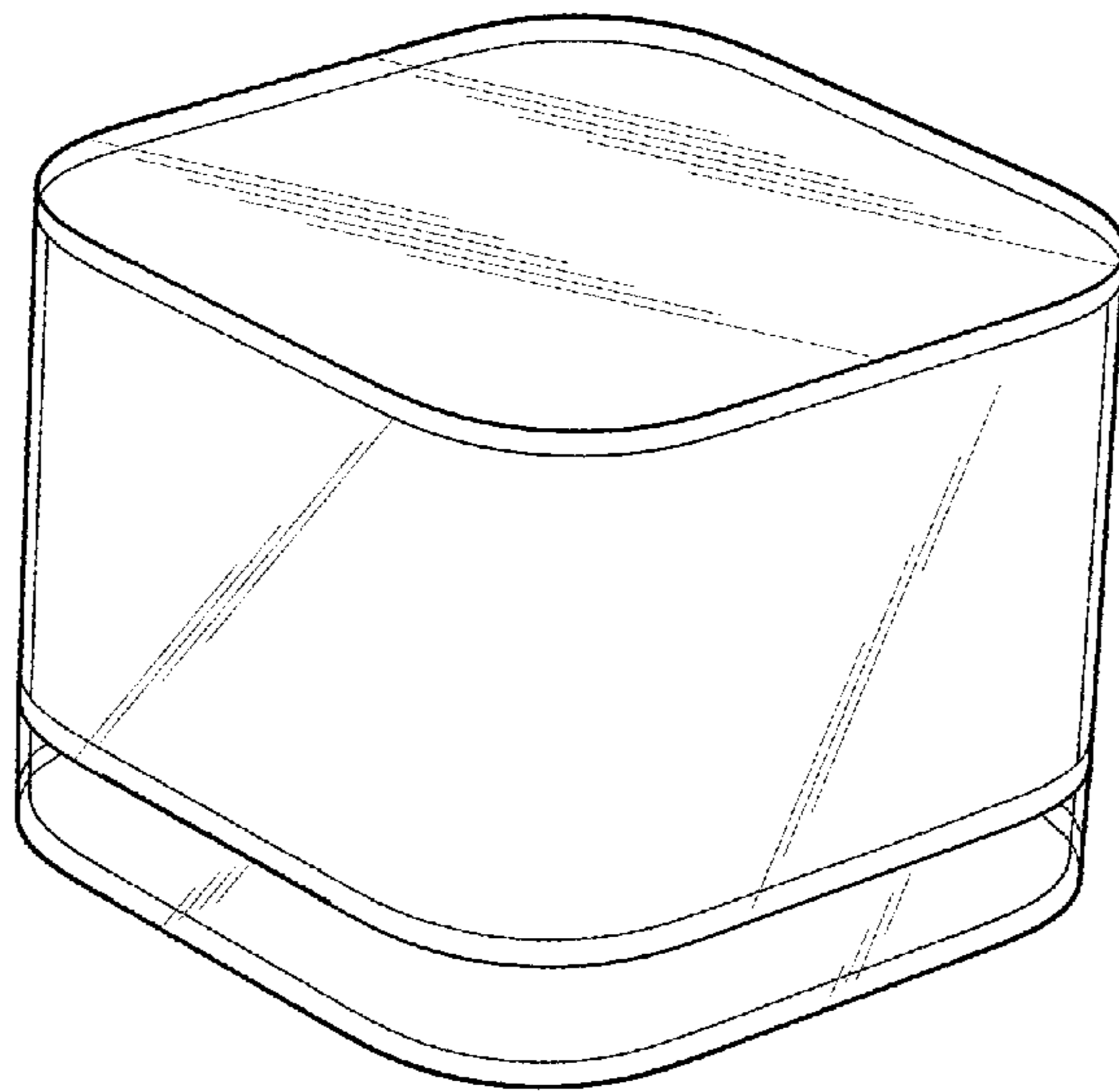


FIG. 2

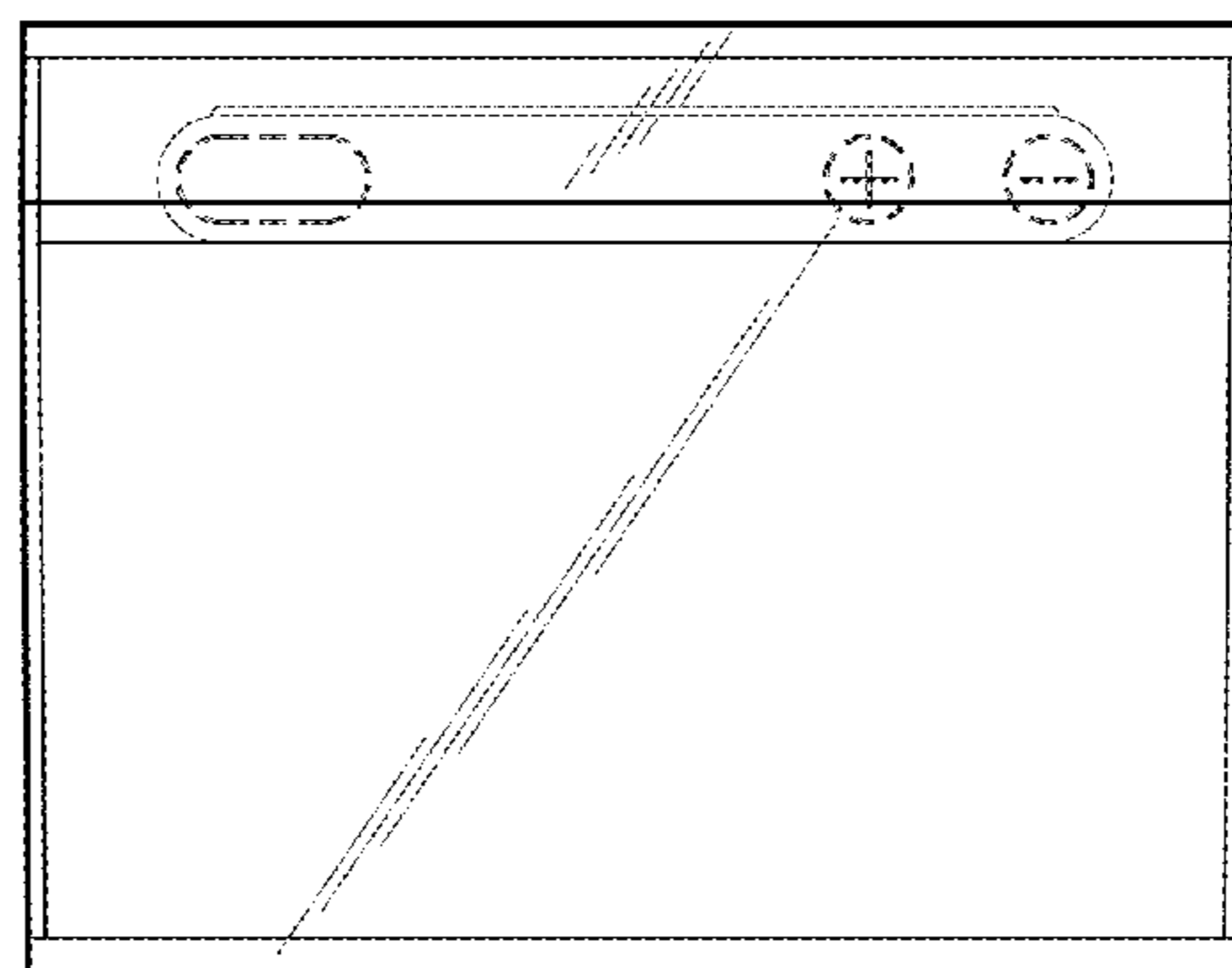


FIG. 3

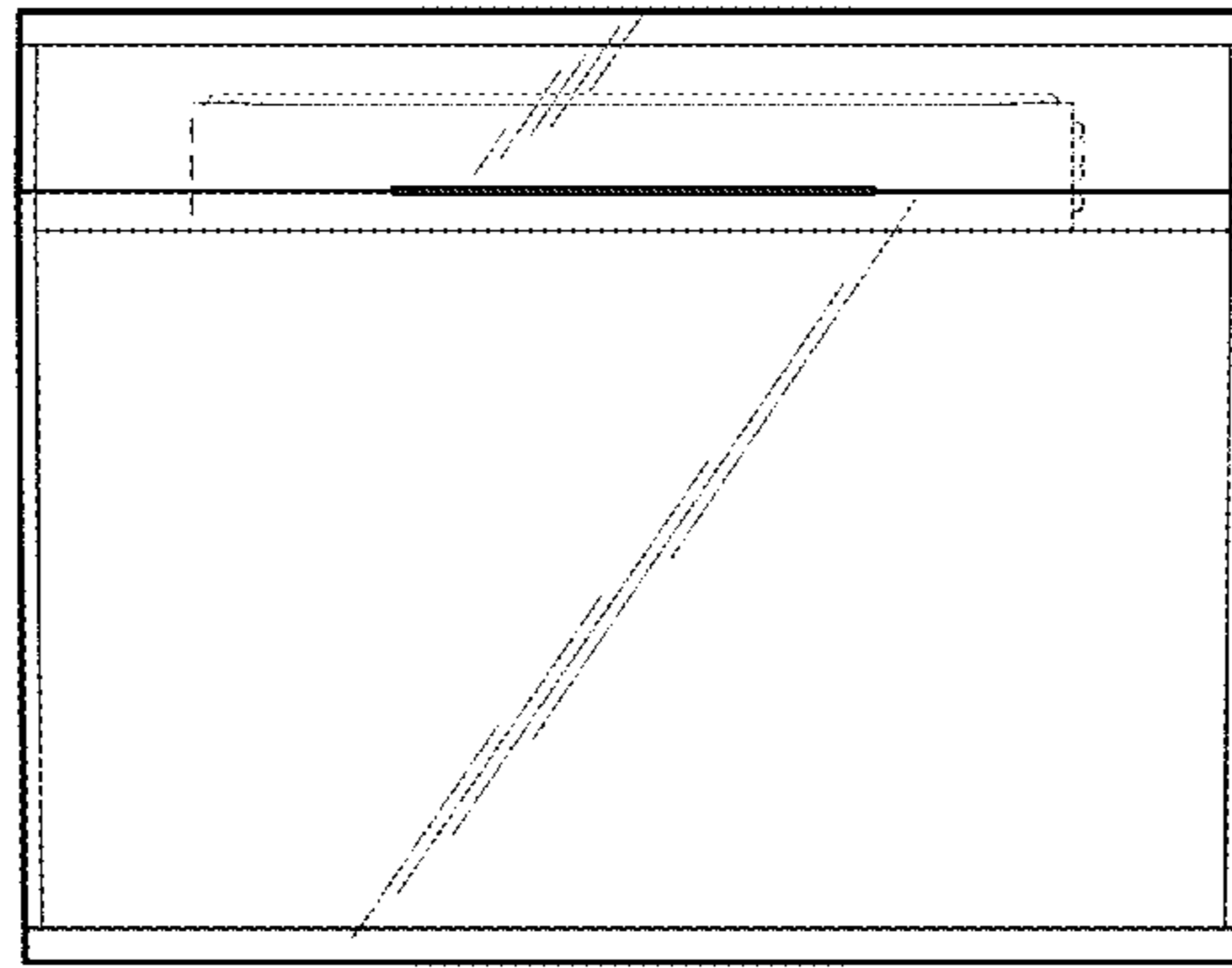


FIG. 4

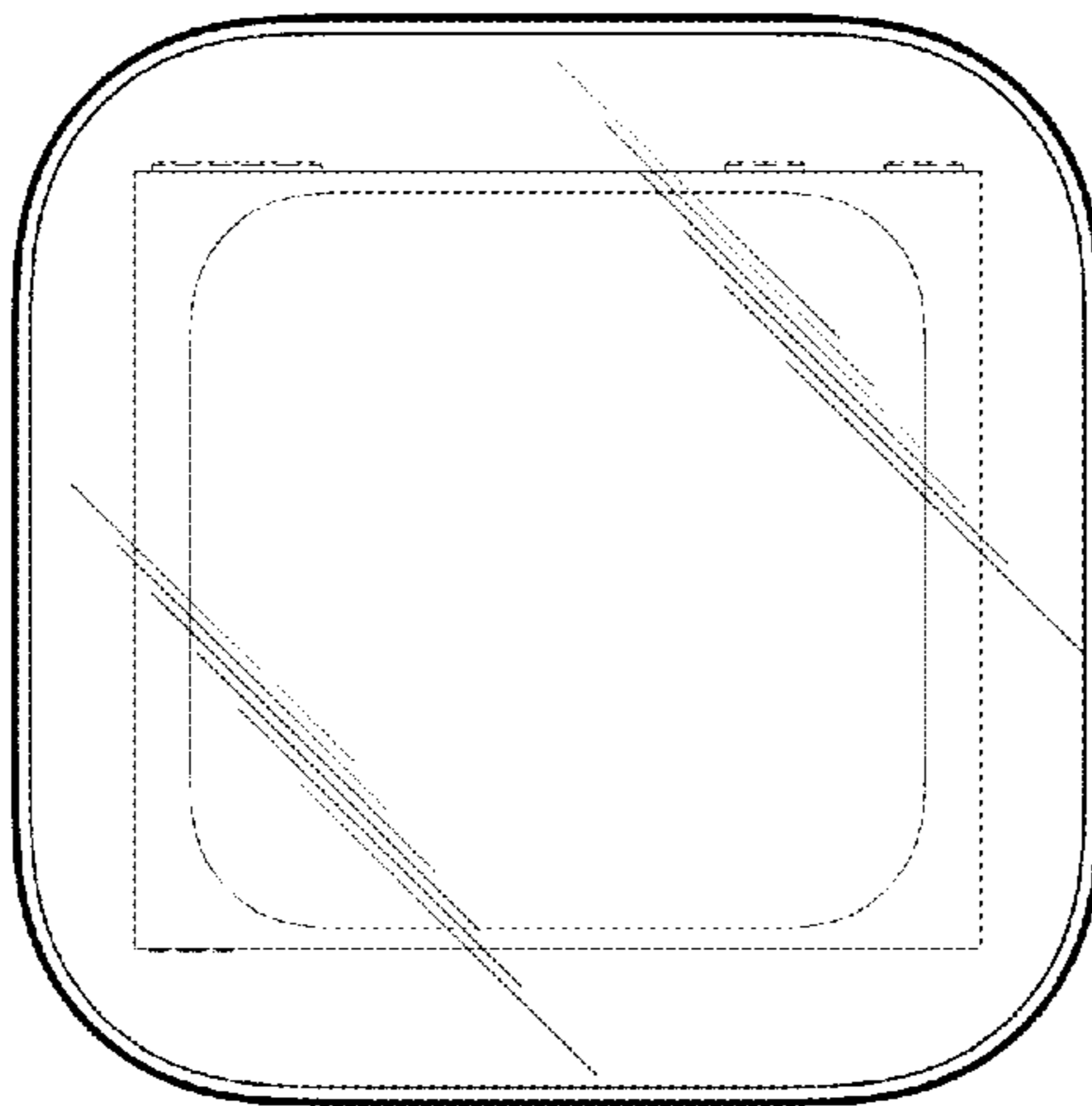


FIG. 5

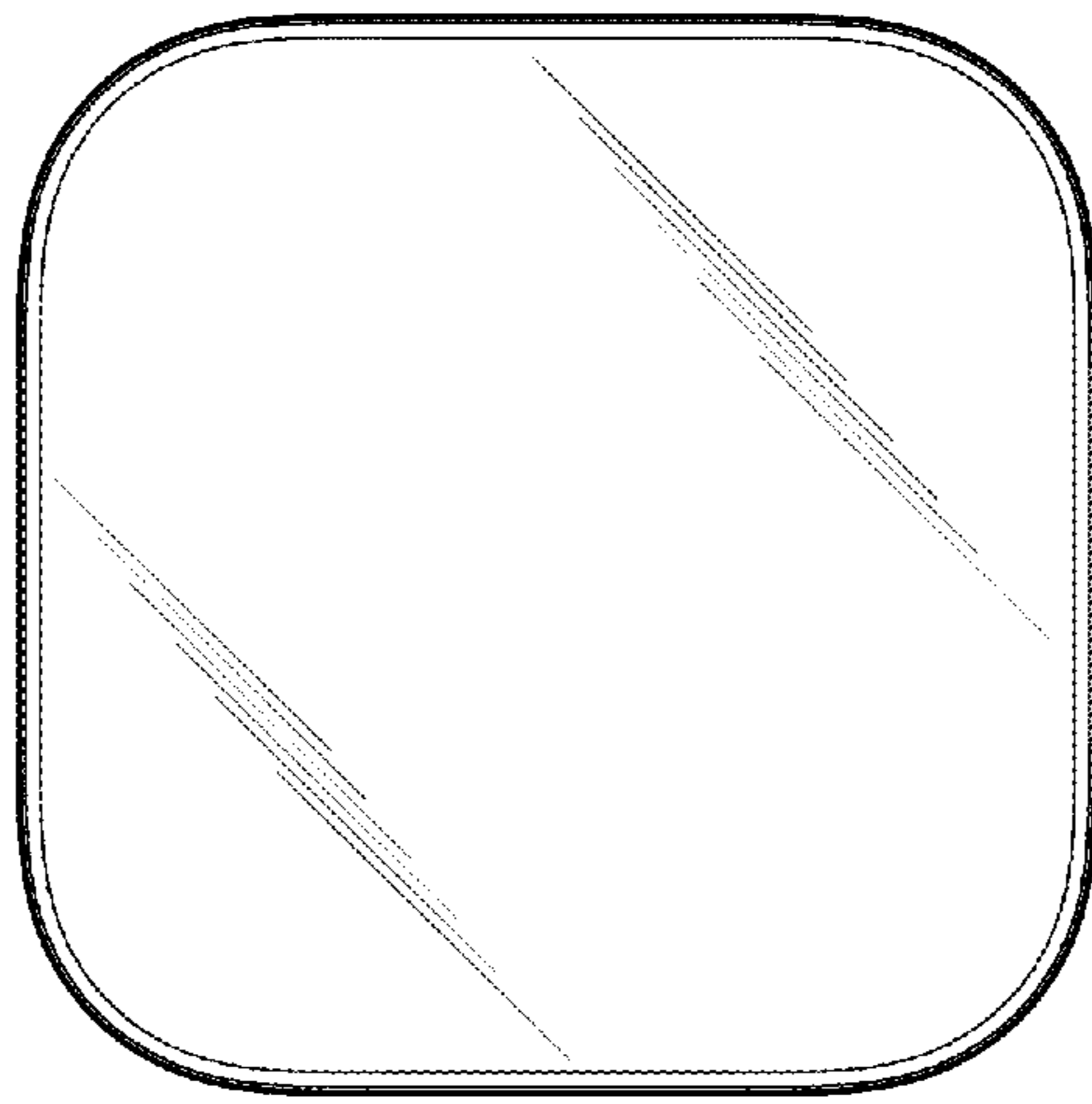


FIG. 6

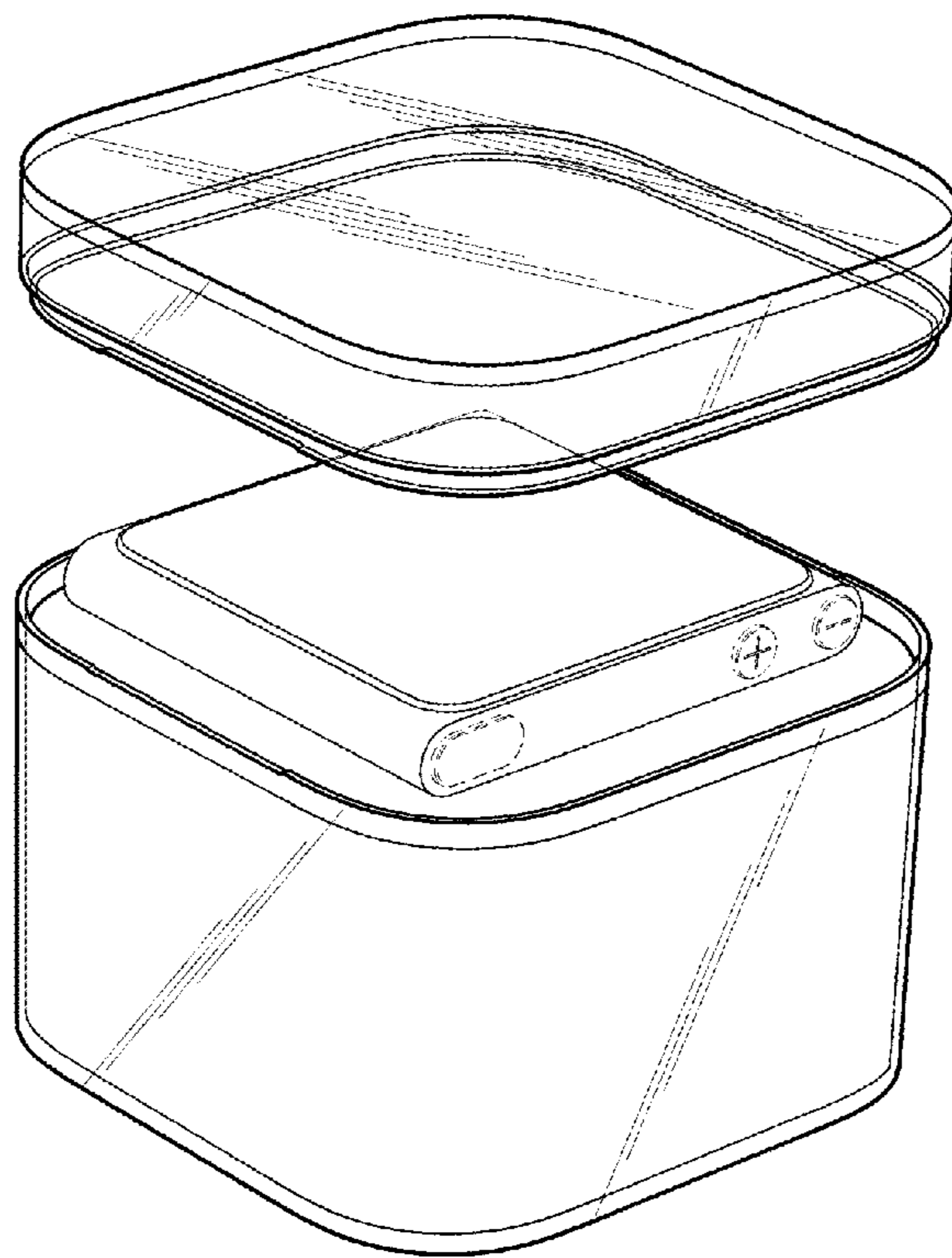


FIG. 7

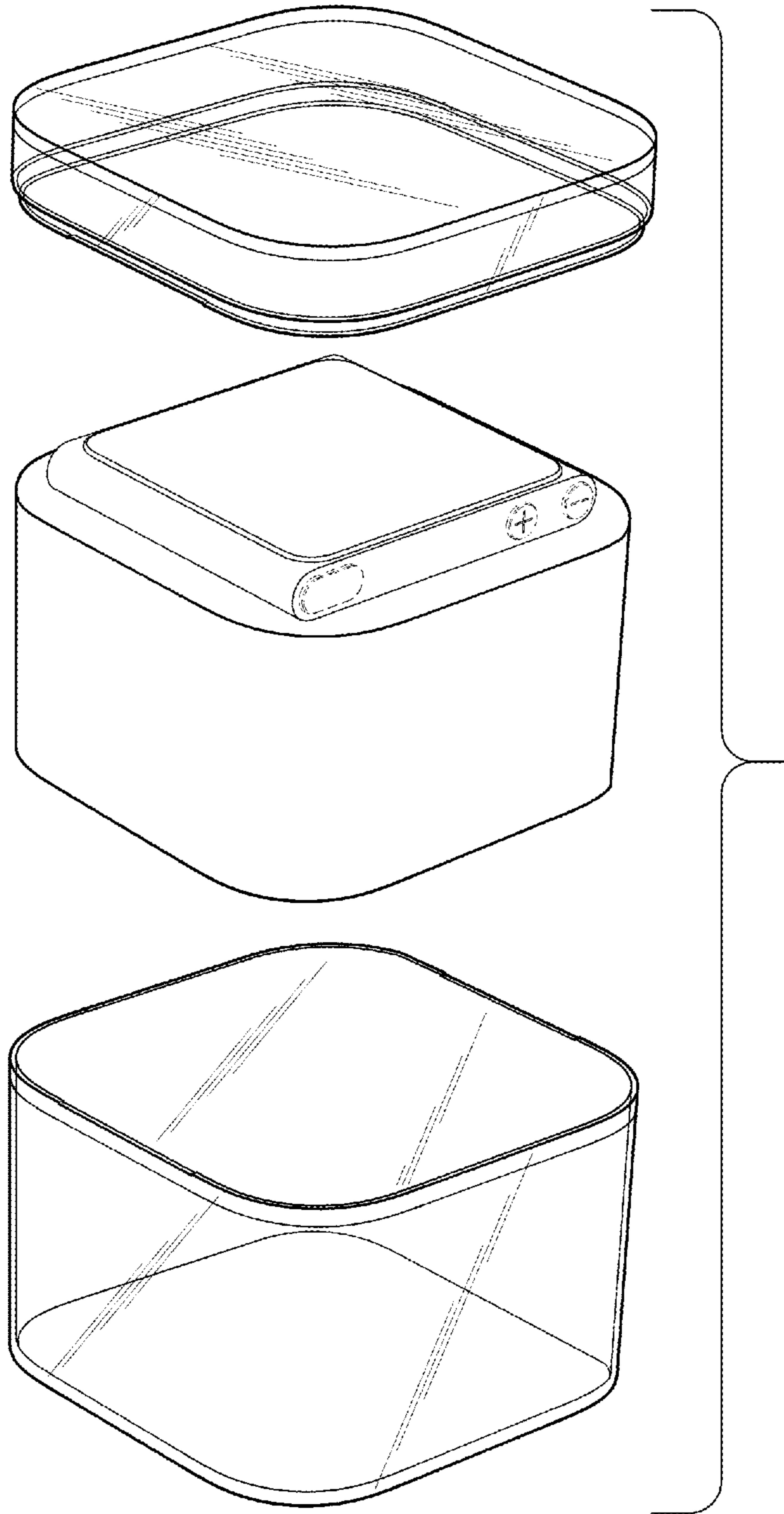


FIG. 8

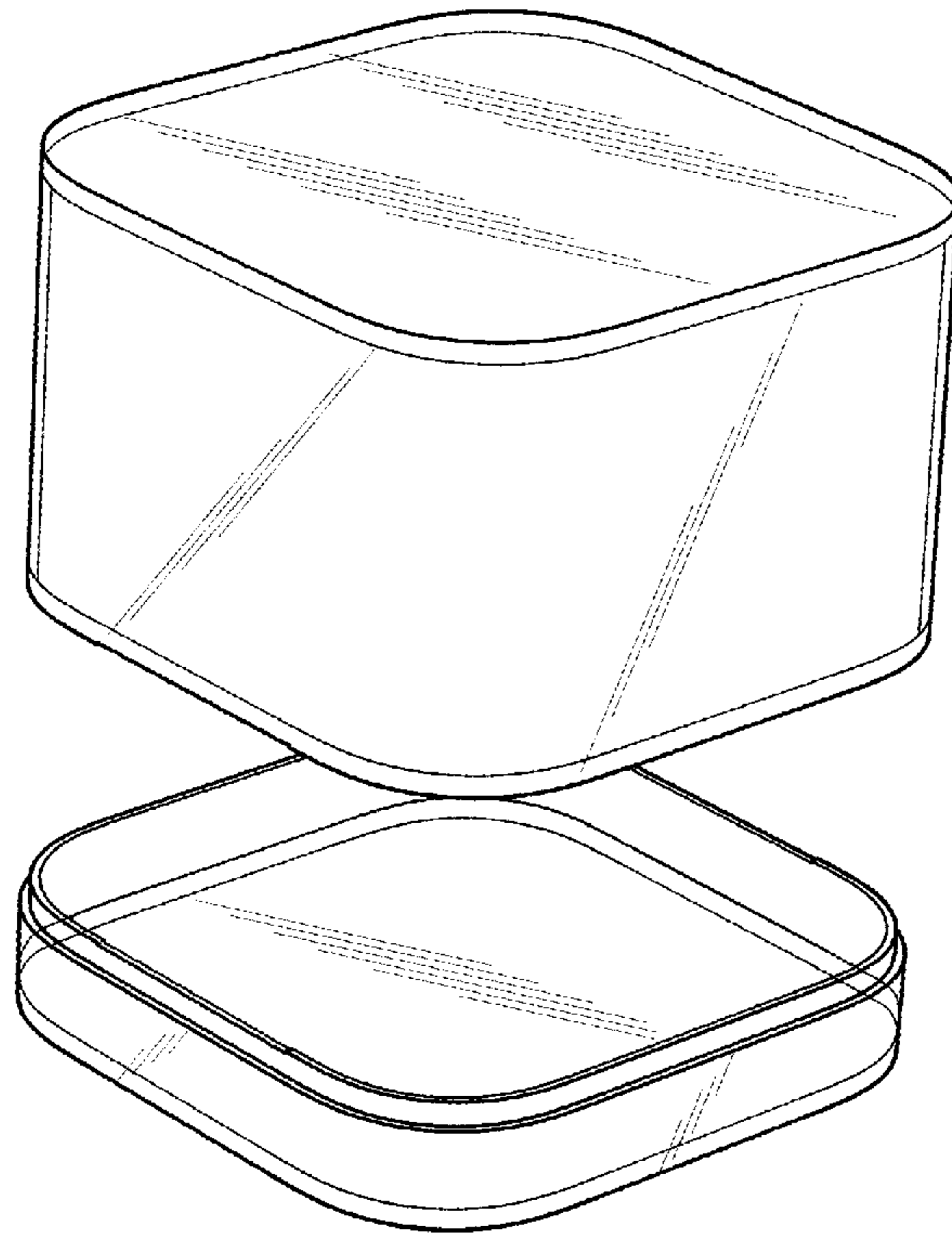


FIG. 9

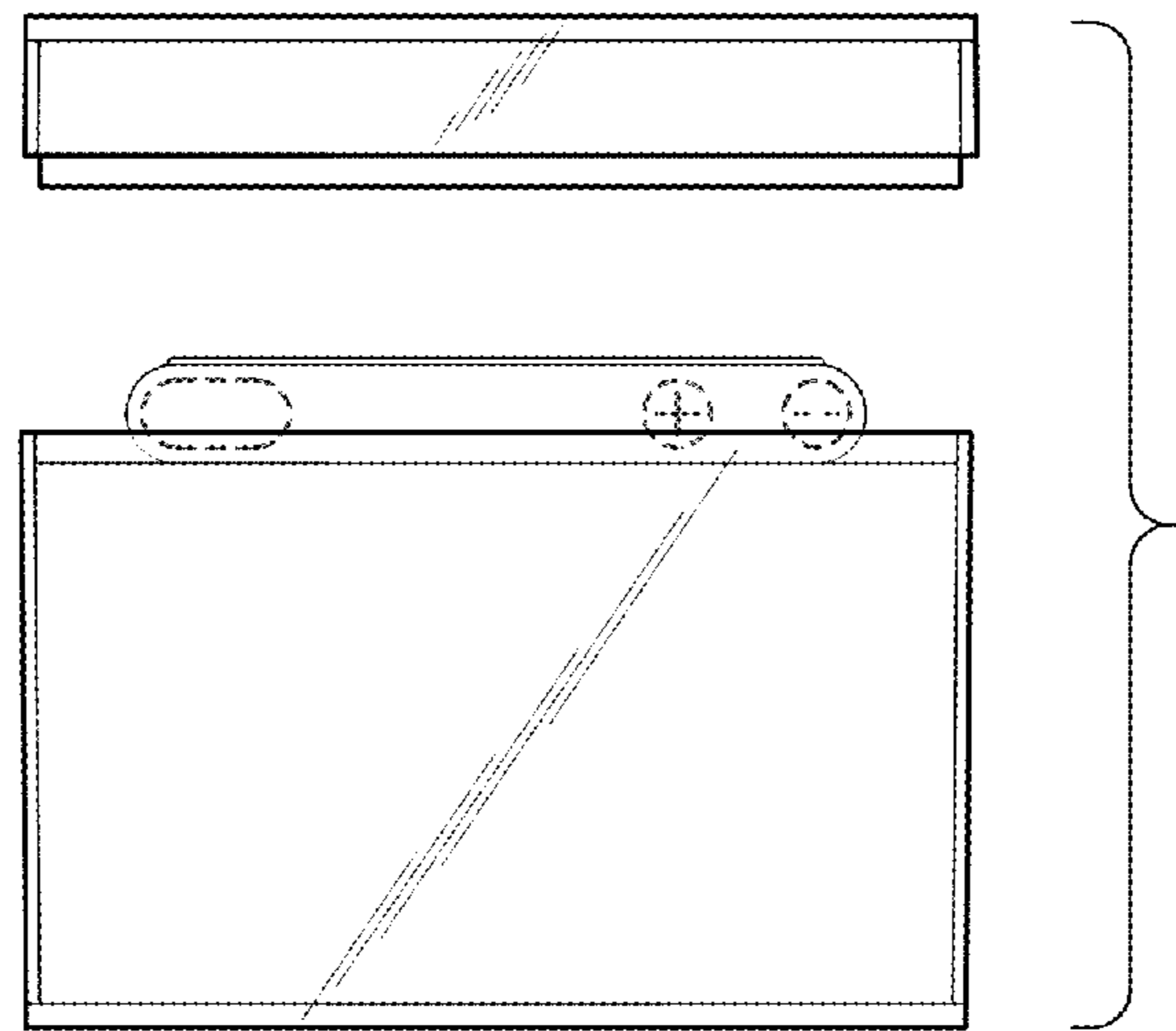


FIG. 10

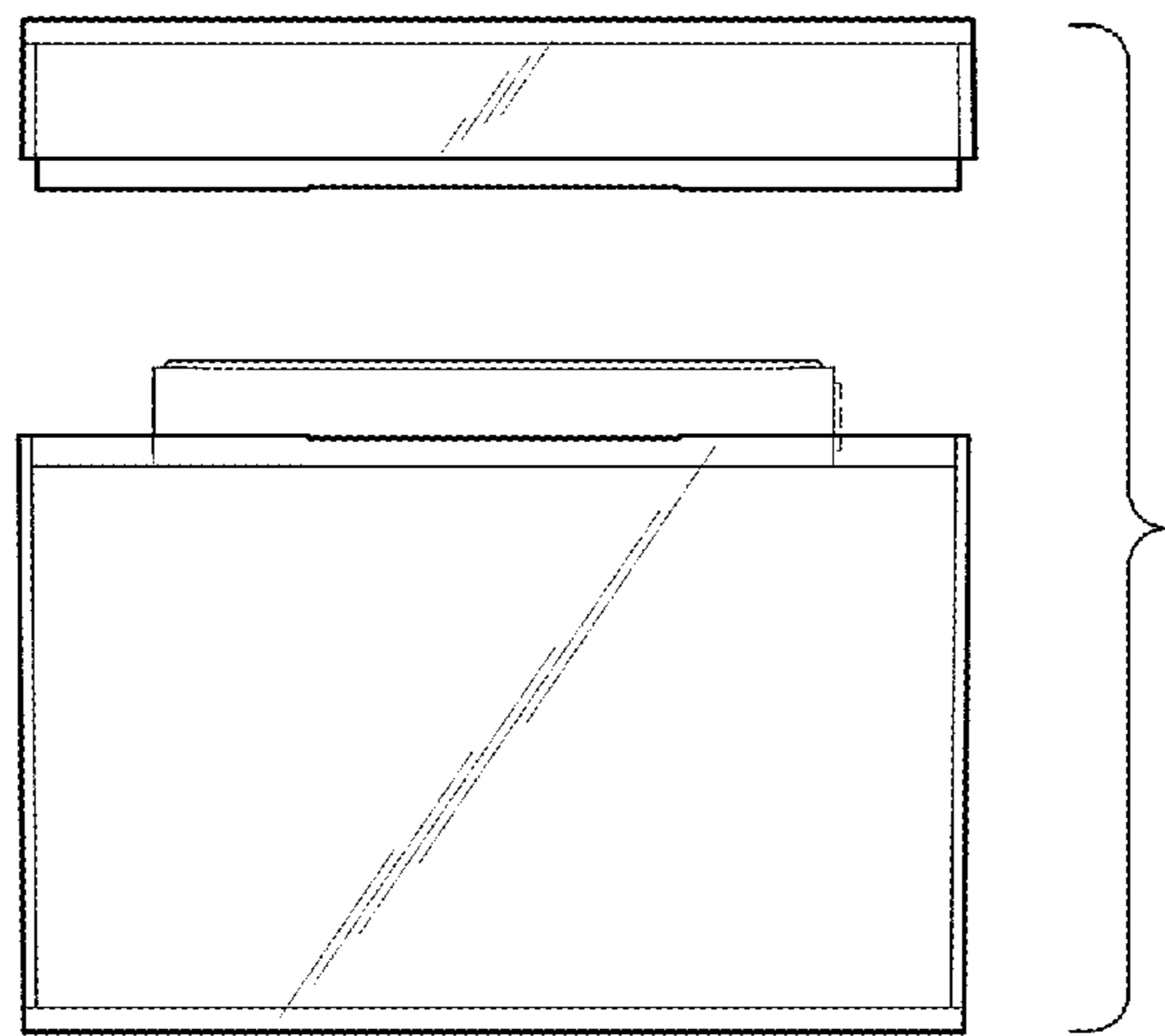


FIG. 11