



US00D668142S

(12) **United States Design Patent**
Turner

(10) **Patent No.:** **US D668,142 S**

(45) **Date of Patent:** **** Oct. 2, 2012**

(54) **SLIP COVERING FOR A TOBACCO
PRODUCT PACKAGE**

(75) Inventor: **Brian Turner**, Tampa, FL (US)

(73) Assignee: **Camo Pack IP, LLC**, Tampa, FL (US)

(**) Term: **14 Years**

(21) Appl. No.: **29/400,625**

(22) Filed: **Aug. 31, 2011**

(51) **LOC (9) Cl.** **09-03**

(52) **U.S. Cl.** **D9/423**

(58) **Field of Classification Search** D9/420,
D9/423, 430-433, 414-418; 206/236-242,
206/245, 249-251, 254-259, 261-275; 229/101,
229/125.21, 125.37, 145, 212, 225, 160.1;
D27/172-176, 185-192

See application file for complete search history.

(56) **References Cited**

U.S. PATENT DOCUMENTS

3,877,573	A *	4/1975	Scott et al.	206/236
D284,606	S *	7/1986	Koontz	D27/189
D292,437	S *	10/1987	Wind, III	D27/189
D379,010	S *	4/1997	Digianni	D27/189
D380,063	S *	6/1997	Digianni	D27/189
D419,259	S *	1/2000	Johnson	D27/175
6,343,691	B1 *	2/2002	Focke et al.	206/268
D480,174	S *	9/2003	Draghetti et al.	D27/189
D485,640	S *	1/2004	Draghetti et al.	D27/189
D485,939	S *	1/2004	Draghetti et al.	D27/189
7,014,039	B2 *	3/2006	Henson et al.	206/267
D595,454	S *	6/2009	Fuente	D27/189
D596,350	S *	7/2009	Fuente	D27/189
7,770,724	B2 *	8/2010	Ghini et al.	206/267
2004/0251148	A1 *	12/2004	Bernhard	206/242
2007/0193892	A1 *	8/2007	Tanbo et al.	206/205
2008/0035500	A1 *	2/2008	Haddad	206/265

2008/0289977	A1 *	11/2008	Ghini et al.	206/256
2011/0062037	A1 *	3/2011	Bertuzzi et al.	206/267
2011/0180432	A1 *	7/2011	Blick et al.	206/265
2011/0303567	A1 *	12/2011	Bray	206/265
2012/0012479	A1 *	1/2012	Hodges	206/265

* cited by examiner

Primary Examiner — Thomas Johannes

(74) *Attorney, Agent, or Firm* — Maxey Law Offices, PLLC;
Stephen Lewellyn; Stephanus Yang

(57) **CLAIM**

The ornamental design for a slip covering for a tobacco product package, as shown and described.

DESCRIPTION

FIG. 1 is a front elevation view of a slip covering for a tobacco product package in accordance with my new design in a closed configuration;

FIG. 2 is a back elevation view thereof;

FIG. 3 is a right side elevation view thereof;

FIG. 4 is a left side view thereof;

FIG. 5 is a top plan view thereof;

FIG. 6 is a bottom plan view thereof;

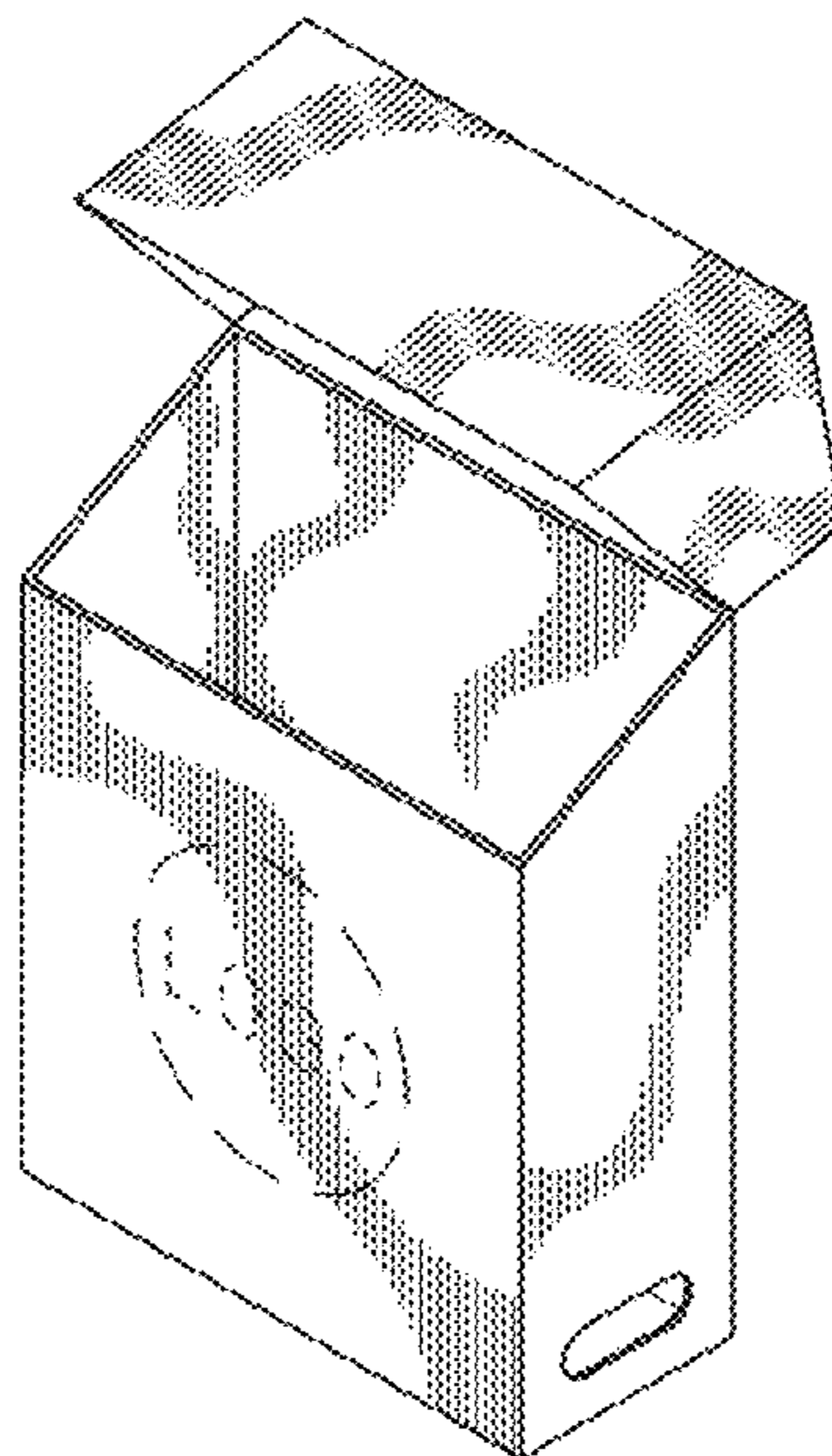
FIG. 7 is a front perspective view thereof with the lid portion in an open configuration and with a perforation opened through the lower left side; and,

FIG. 8 is a rear perspective view thereof.

The broken-lines forming the word “Logo” and the circle encompassing the word “Logo” form no part of the claimed design; whereas, the remaining broken-lines illustrate claimed perforation lines.

Any surface or portion of my design not shown in the figures or otherwise described in the specification forms no part of the claimed design.

1 Claim, 4 Drawing Sheets



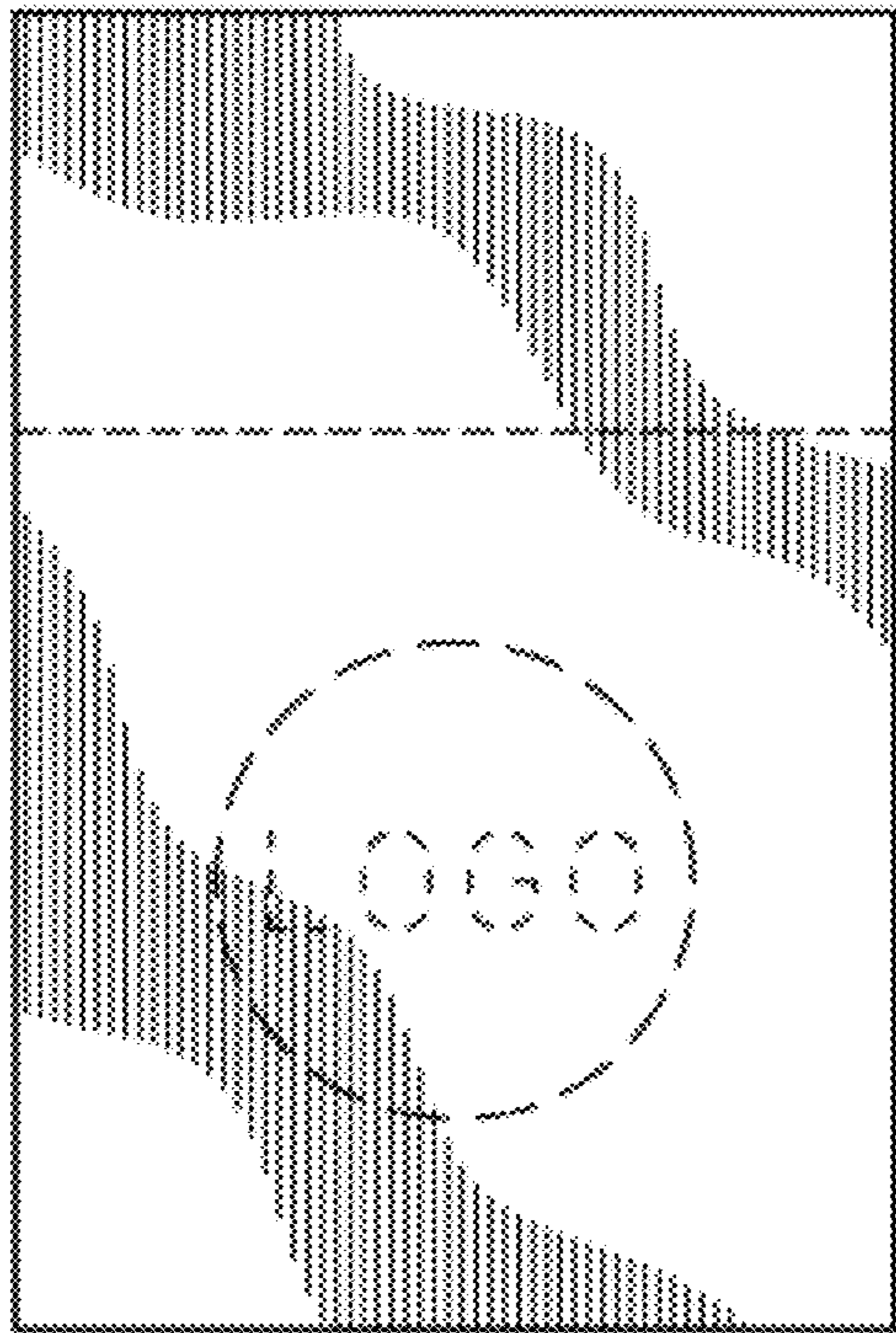


FIG. 1

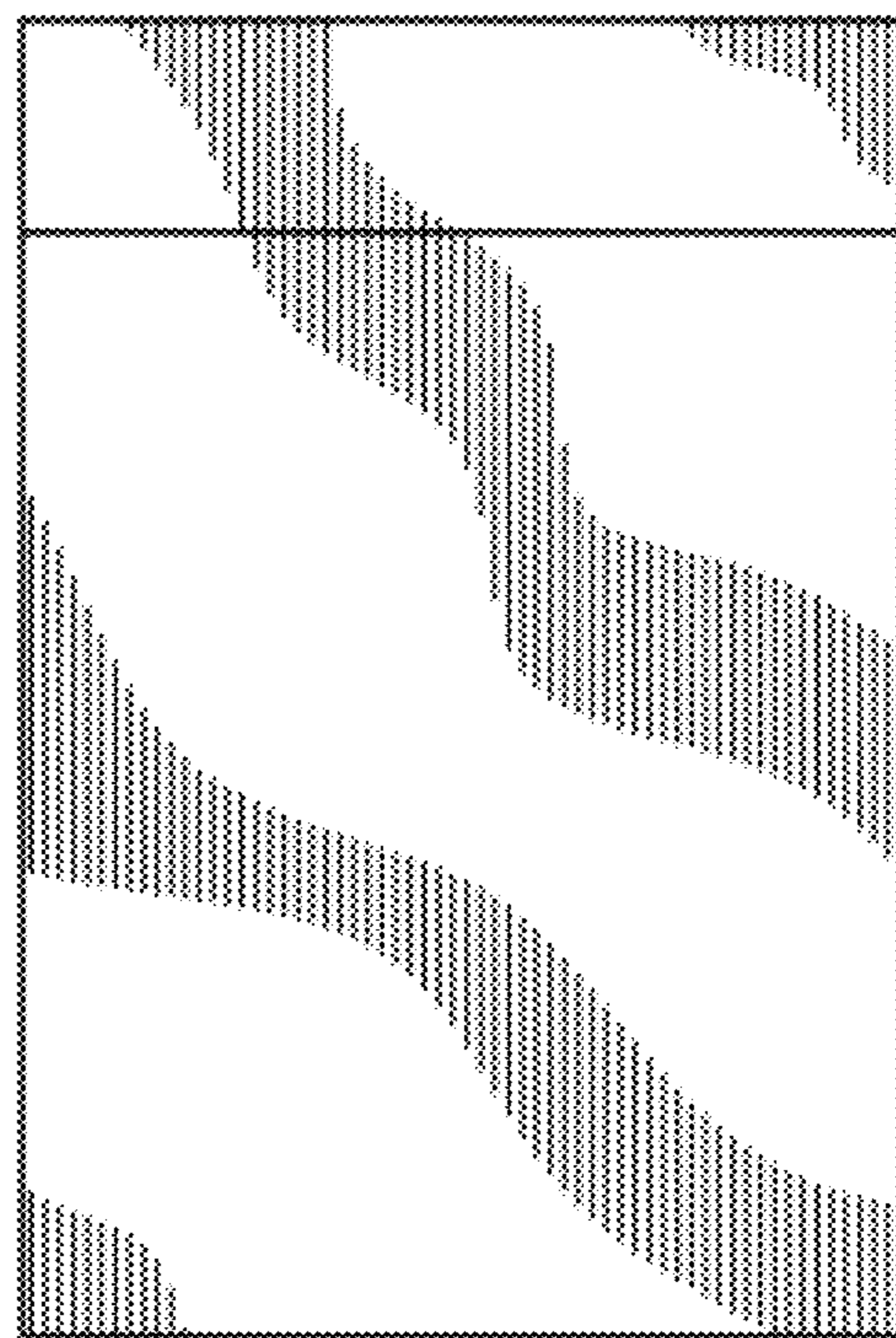


FIG. 2

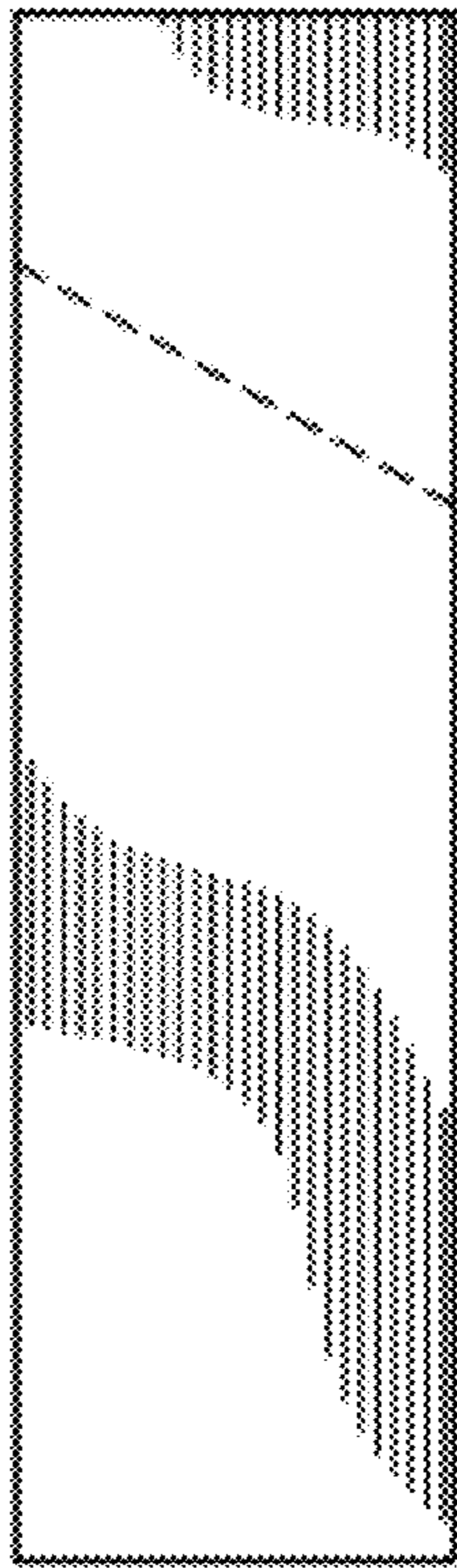


FIG. 3

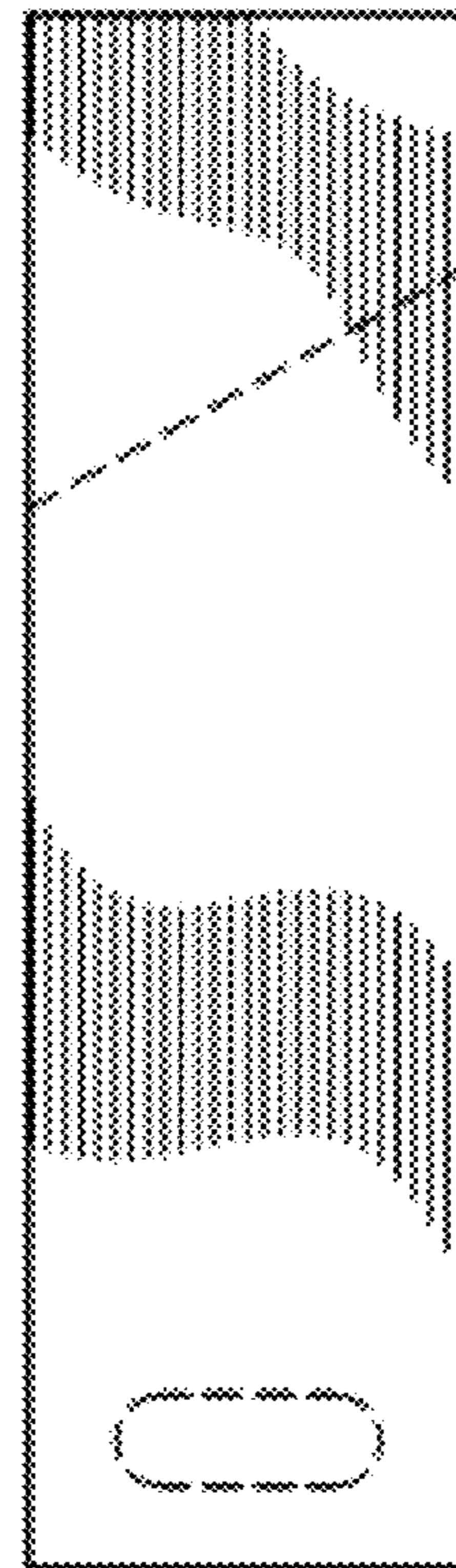


FIG. 4

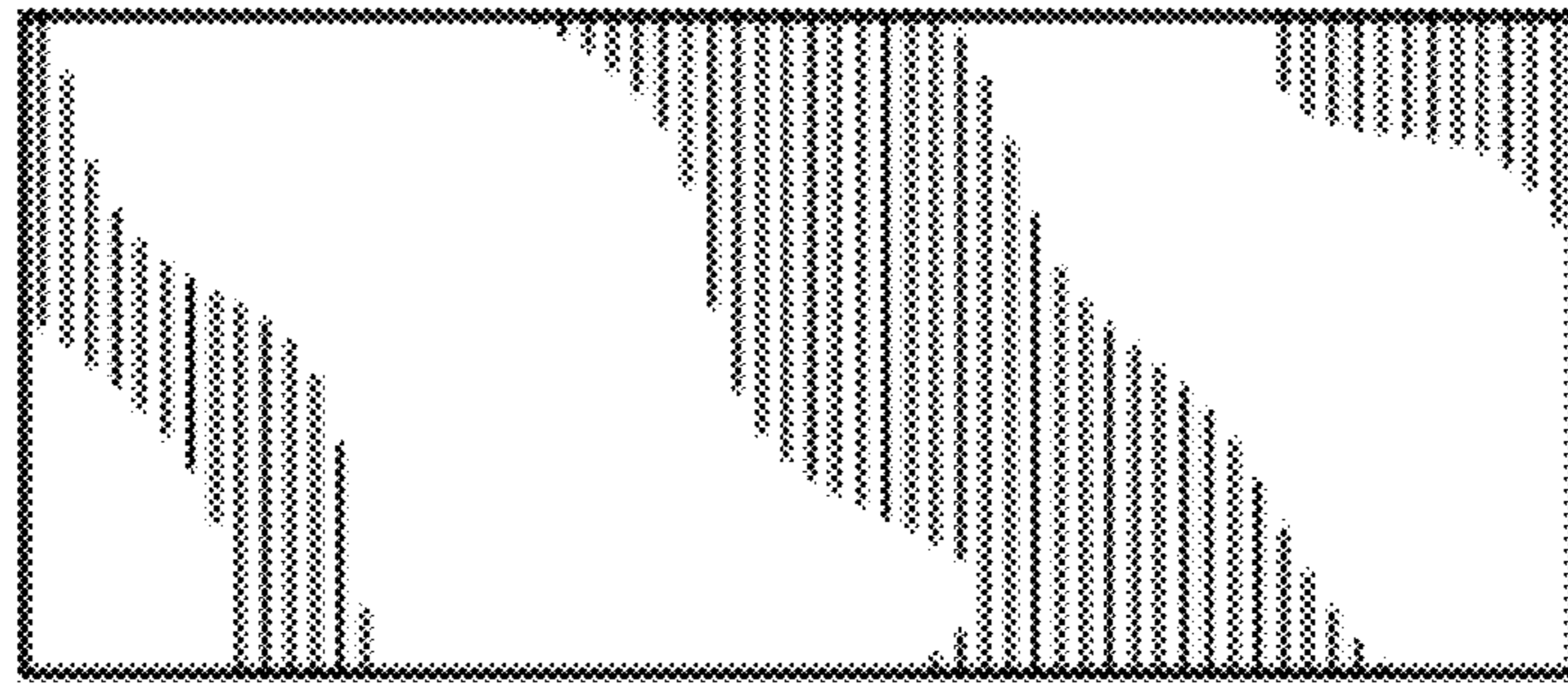


FIG. 5

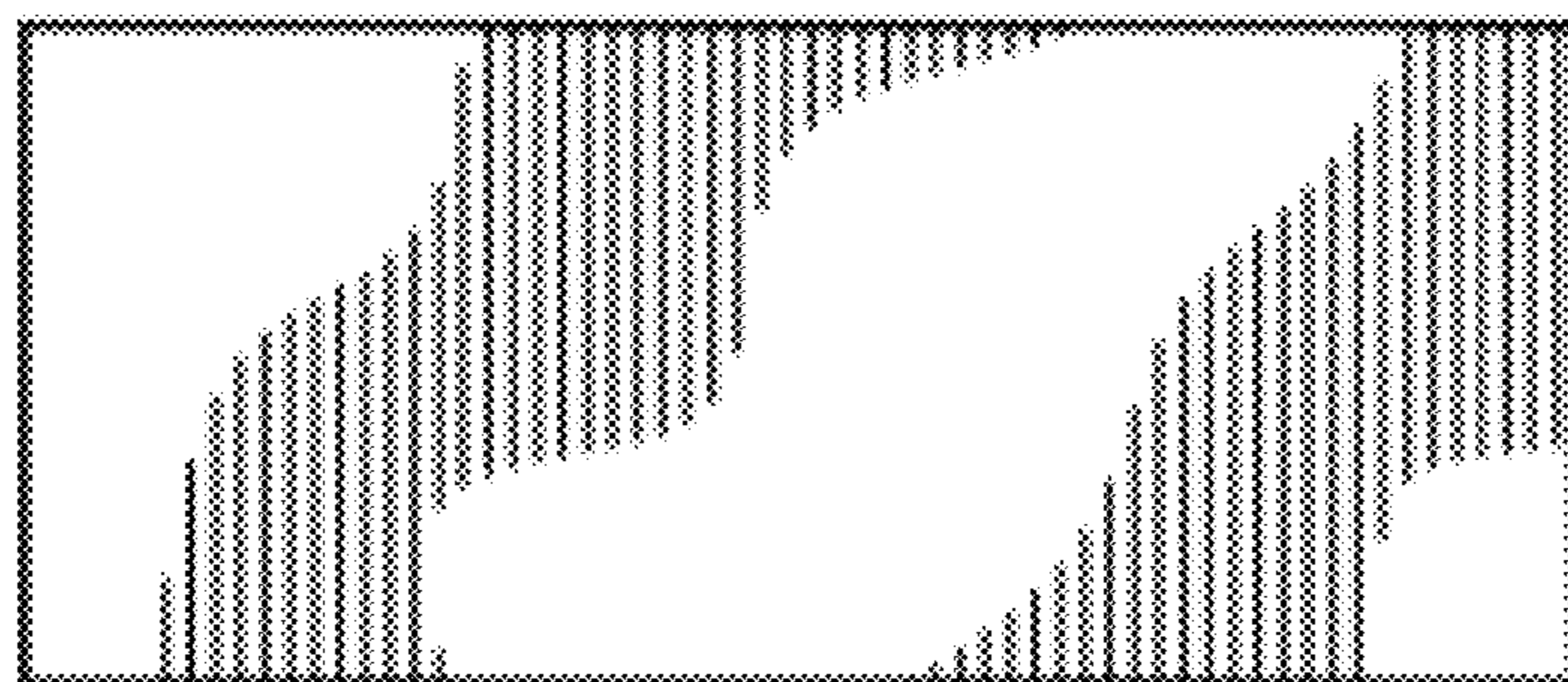


FIG. 6

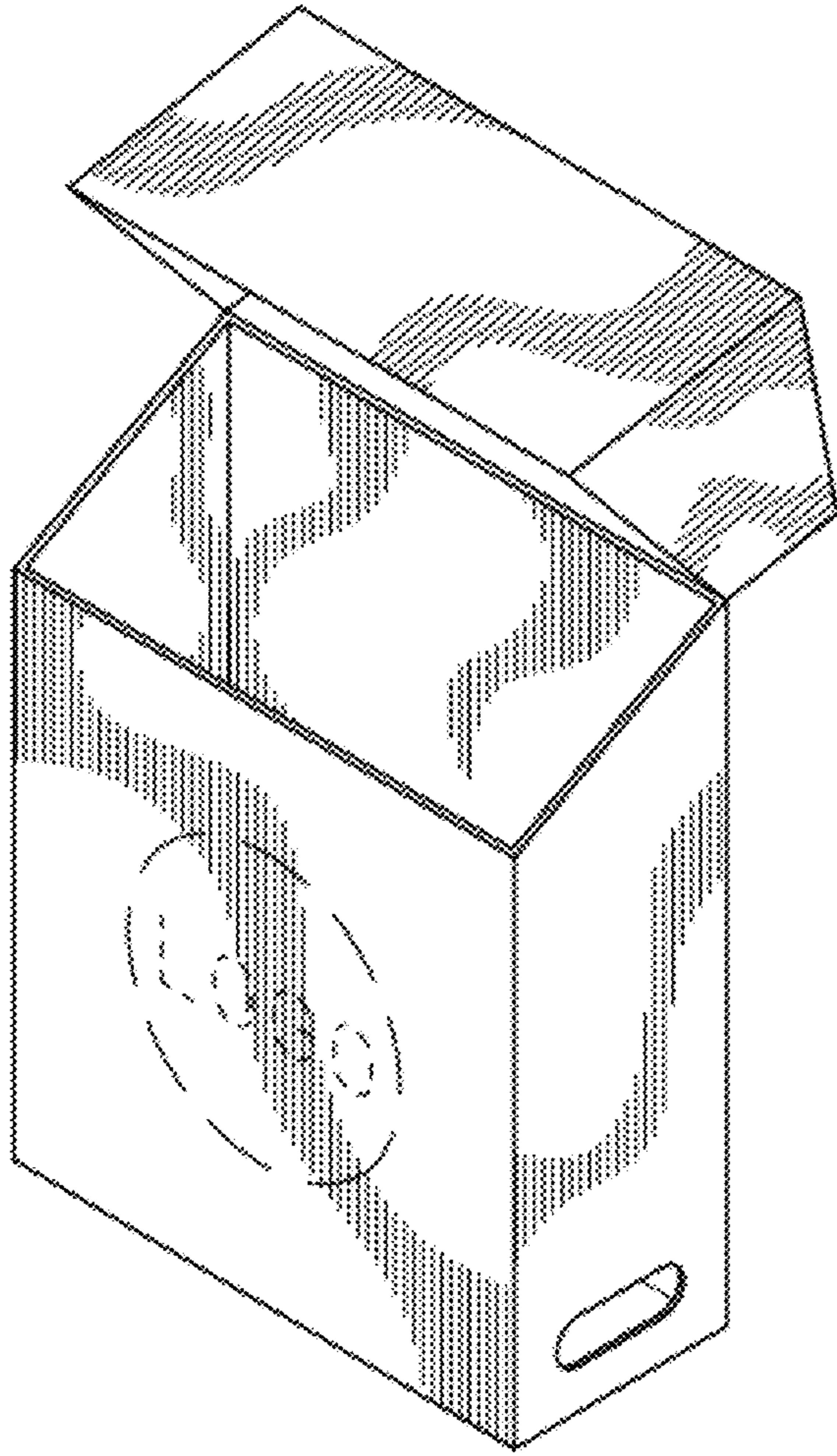


FIG. 7

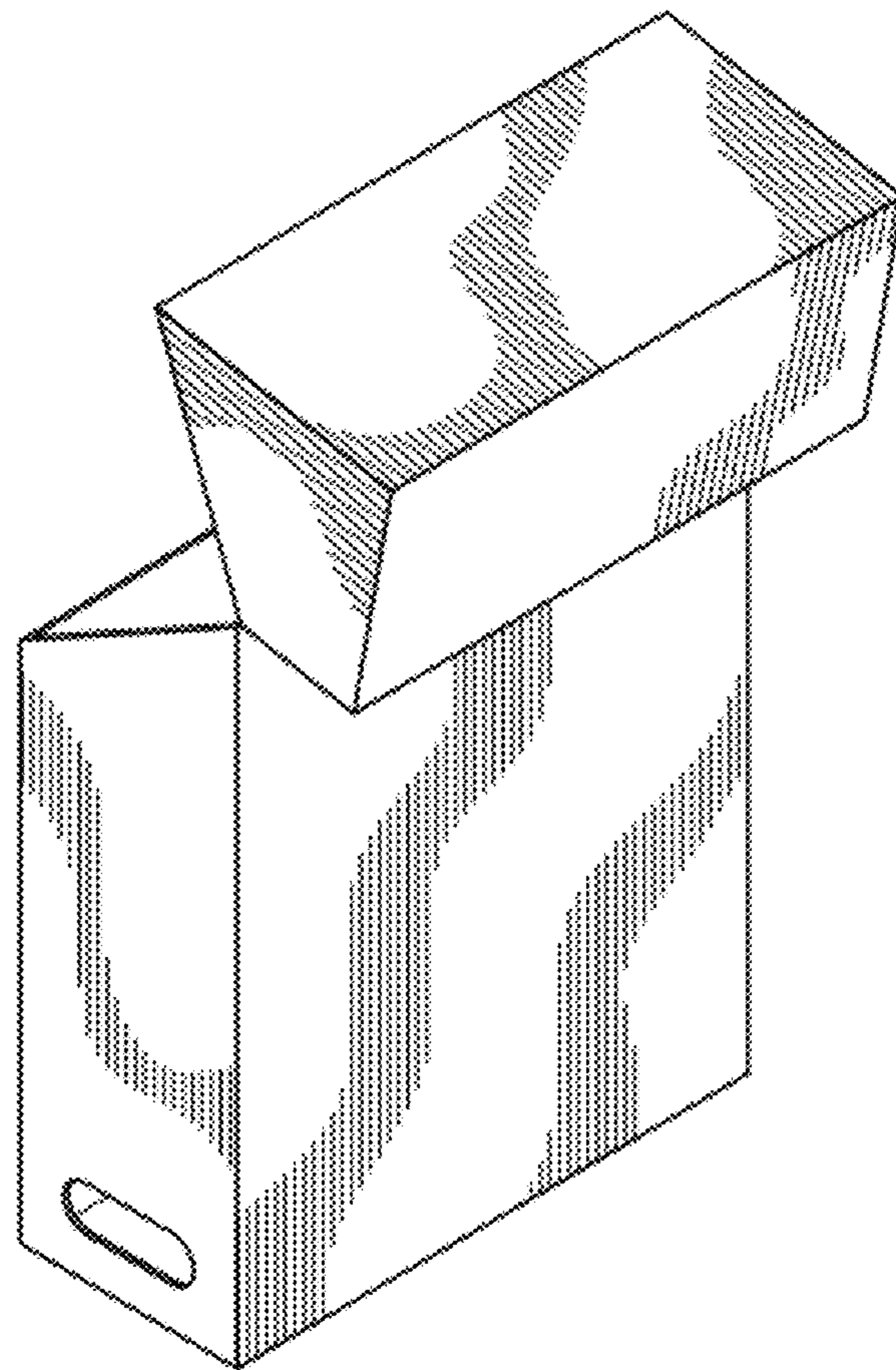


FIG. 8