



US00D668138S

(12) **United States Design Patent**
Aquil

(10) **Patent No.:** **US D668,138 S**

(45) **Date of Patent:** **** Oct. 2, 2012**

(54) **CARPETED FLOOR DOOR STOPPER**

(76) Inventor: **Haneef K. Aquil**, Compton, CA (US)

(**) Term: **14 Years**

(21) Appl. No.: **29/374,268**

(22) Filed: **Jul. 21, 2011**

(51) **LOC (9) Cl.** **08-09**

(52) **U.S. Cl.** **D8/402**

(58) **Field of Classification Search** D8/400-499,
D8/394-396; D25/119; 16/82, 83, 86 R;
292/288, 338, 339, DIG. 19; D24/189; D32/40
See application file for complete search history.

6,831,049	B1 *	12/2004	Torres Moreno	510/243
6,871,363	B2 *	3/2005	Sabados	4/506
D513,381	S *	1/2006	Belec	D8/400
D592,319	S *	5/2009	Cheney	D25/163
D601,007	S *	9/2009	Brouard	D8/400
D612,990	S *	3/2010	Forman	D28/8.1
D625,063	S *	10/2010	Armaly, Jr.	D32/40
D641,345	S *	7/2011	Gonzalez	D14/250
8,028,374	B2 *	10/2011	Lang	16/42 R

* cited by examiner

Primary Examiner — Barbara Fox

(74) *Attorney, Agent, or Firm* — Albert O. Cota

(57) **CLAIM**

The ornamental design for a carpeted floor door stopper, as shown and described.

(56) **References Cited**

U.S. PATENT DOCUMENTS

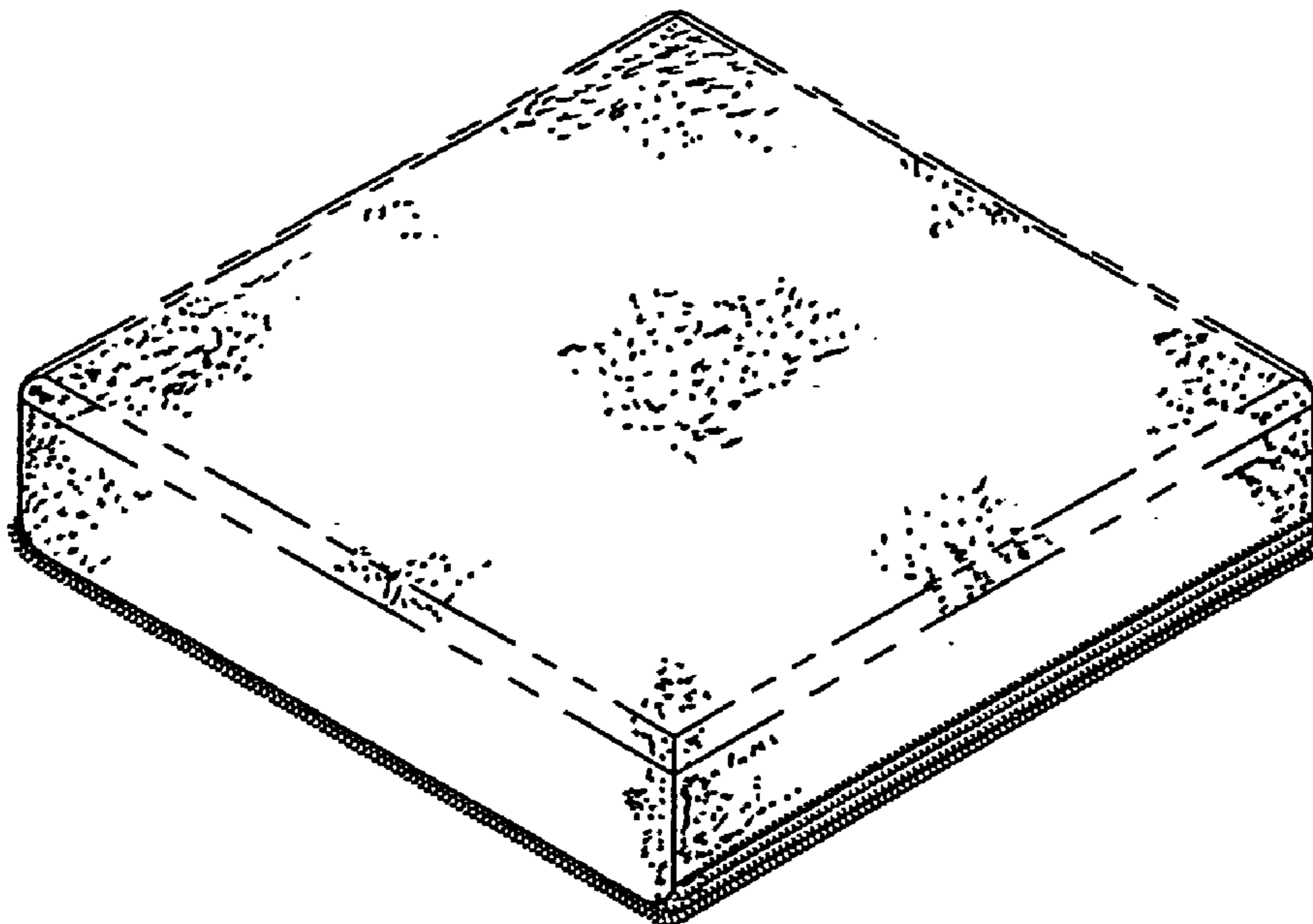
717,256	A *	12/1902	Nilsson	510/142
2,059,490	A *	11/1936	Reisig	52/98
2,602,182	A *	7/1952	Johnson	16/82
2,650,158	A *	8/1953	Eastman	51/298
3,428,405	A *	2/1969	Posner	401/201
3,616,126	A *	10/1971	Tungseth	428/86
D249,005	S *	8/1978	Dezura	D6/580
4,358,495	A *	11/1982	Parker	428/64.1
4,489,115	A *	12/1984	Layman et al.	428/62
4,989,385	A *	2/1991	McCullough	52/514
5,184,445	A *	2/1993	Hoopengardner	52/741.1
5,429,545	A *	7/1995	Meyer	451/523
5,450,698	A *	9/1995	Hoopengardner	52/287.1
5,870,785	A *	2/1999	Hoorens	5/652.1
D406,681	S *	3/1999	Kelly et al.	D32/40
5,930,973	A *	8/1999	Preece	52/741.4
6,167,879	B1 *	1/2001	Sievers et al.	125/1
6,306,477	B1 *	10/2001	Pacione	428/62
D460,681	S *	7/2002	Edwards	D8/354
D461,146	S *	8/2002	Vargo	D12/114
6,434,897	B1 *	8/2002	Sievers et al.	52/177
6,673,417	B1 *	1/2004	Gudet	428/156

DESCRIPTION

FIG. 1 is a top orthographic view of a carpeted floor door stopper showing my new design; FIG. 2 is a front elevational view thereof, the rear elevational view being a mirror image thereof; FIG. 3 is a right side elevational view thereof, the left side elevational view being a mirror image thereof; FIG. 4 is a bottom plan view thereof; FIG. 5 is a top plan view thereof; FIG. 6 is a side elevational view thereof, shown with said carpeted floor door stopper placed between a wall and a door; FIG. 7 is a top plan view thereof, shown with said carpeted floor door stopper placed between a wall and a door; and, FIG. 8 is a top orthographic view thereof, shown with said carpeted floor door stopper placed between the wall and a door.

The broken lines in the drawings illustrate environmental structure and form no part of the claimed design.

1 Claim, 5 Drawing Sheets



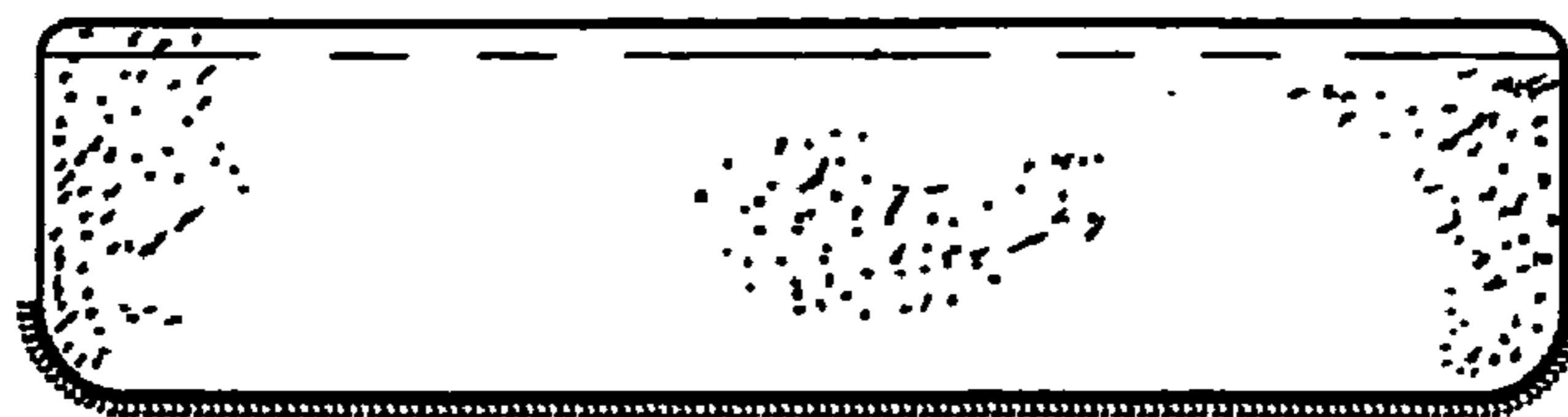


FIG. 3

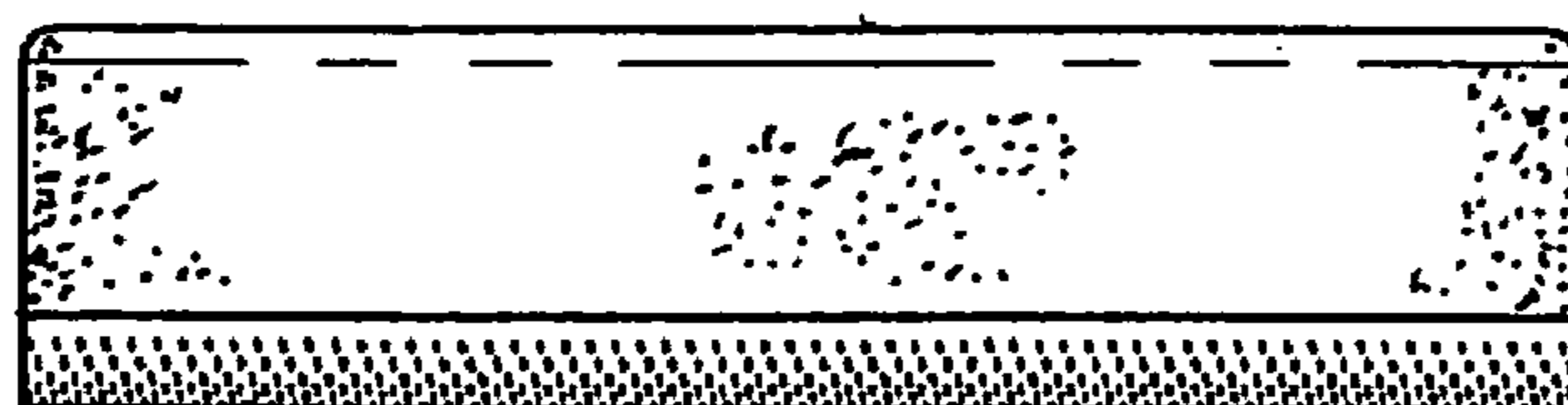


FIG. 2

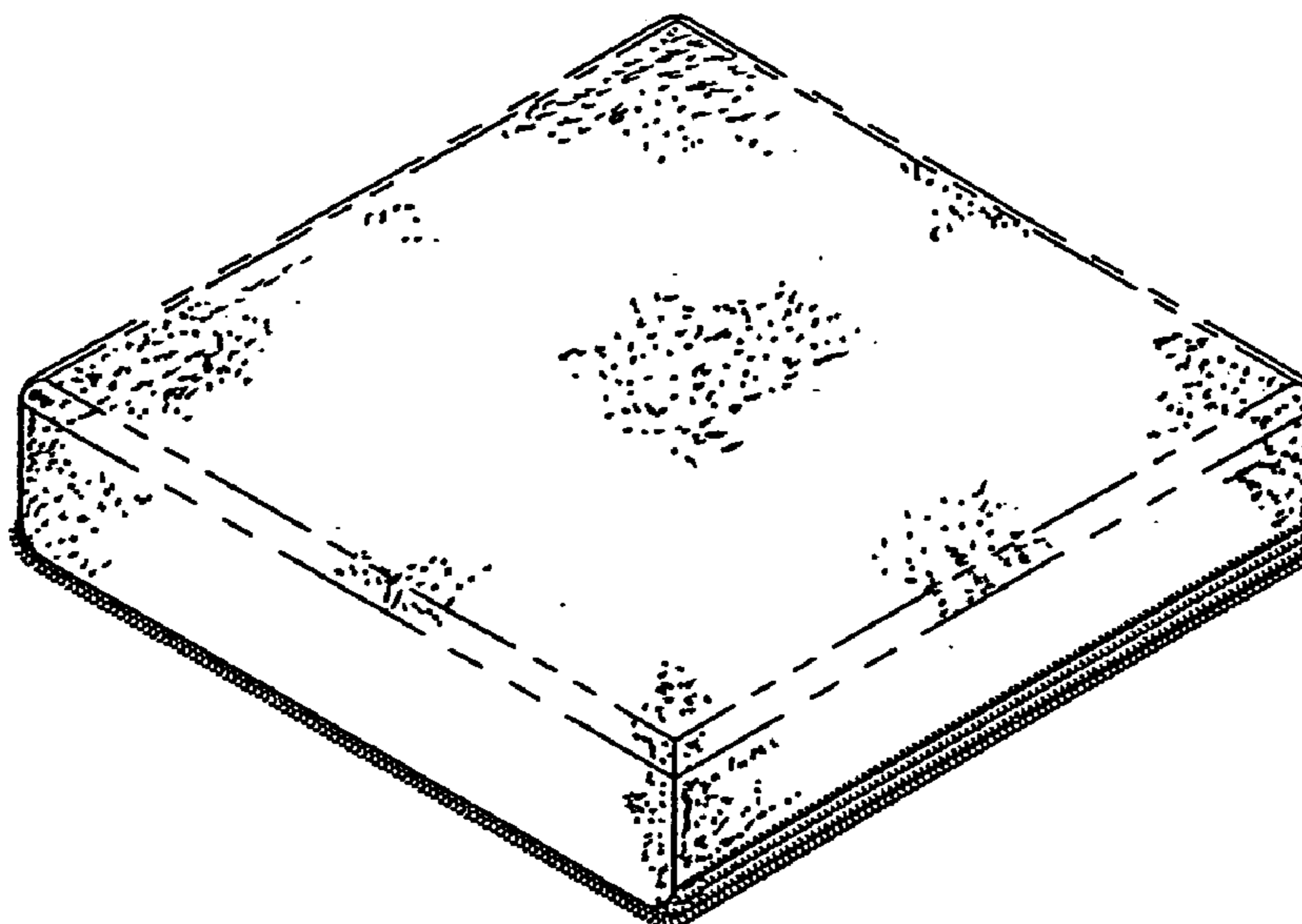


FIG. 1

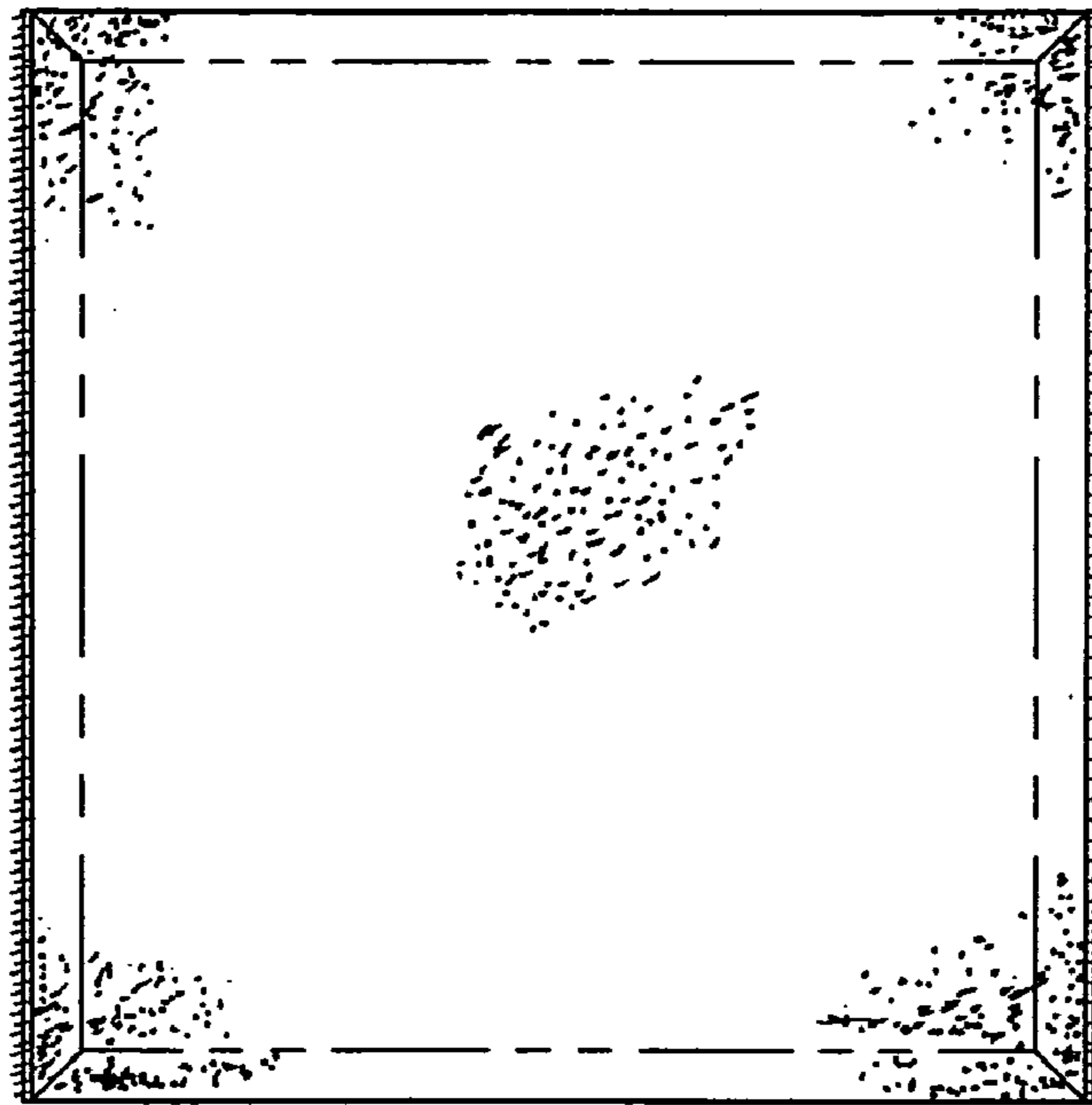


FIG. 5

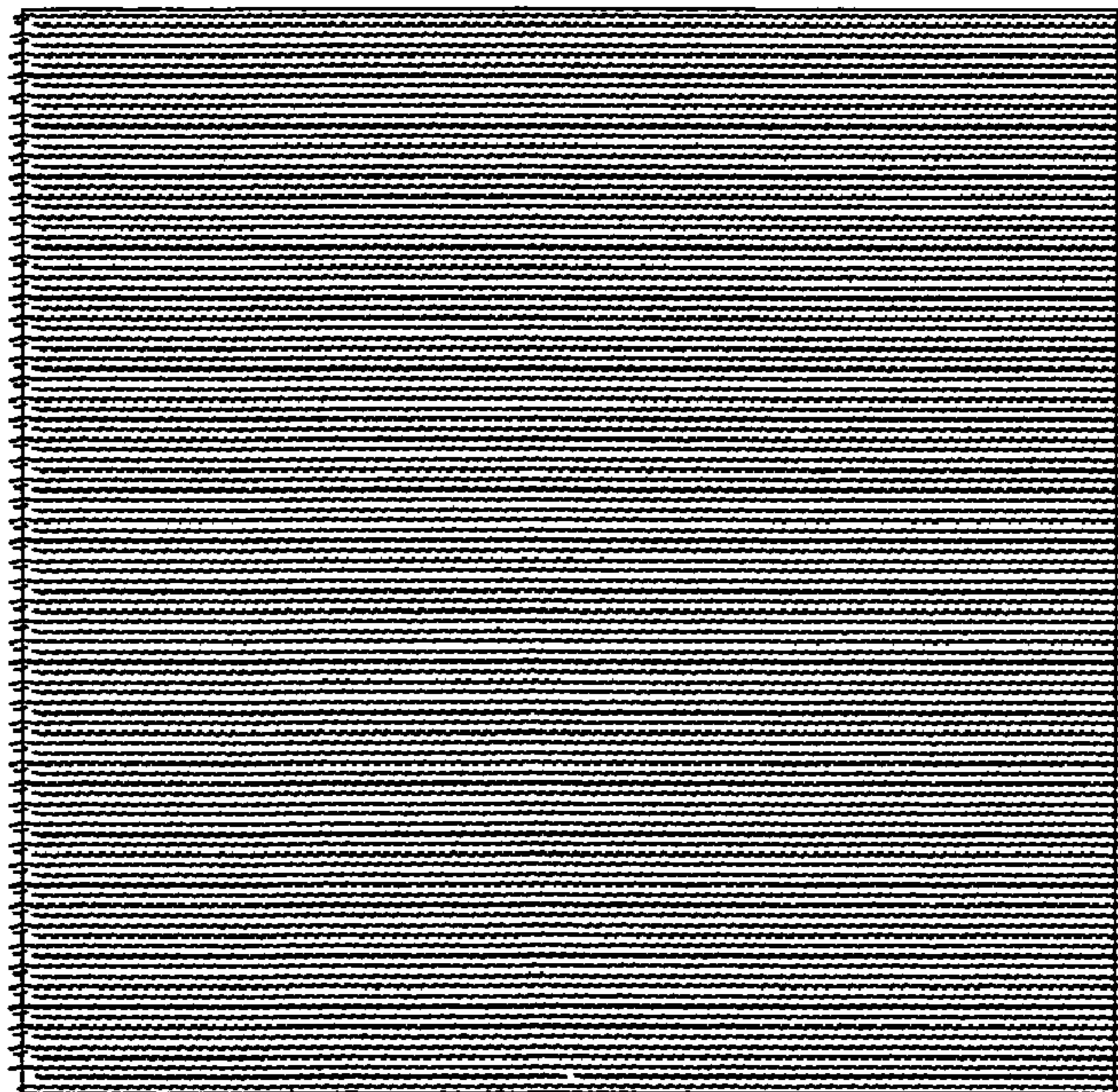


FIG. 4

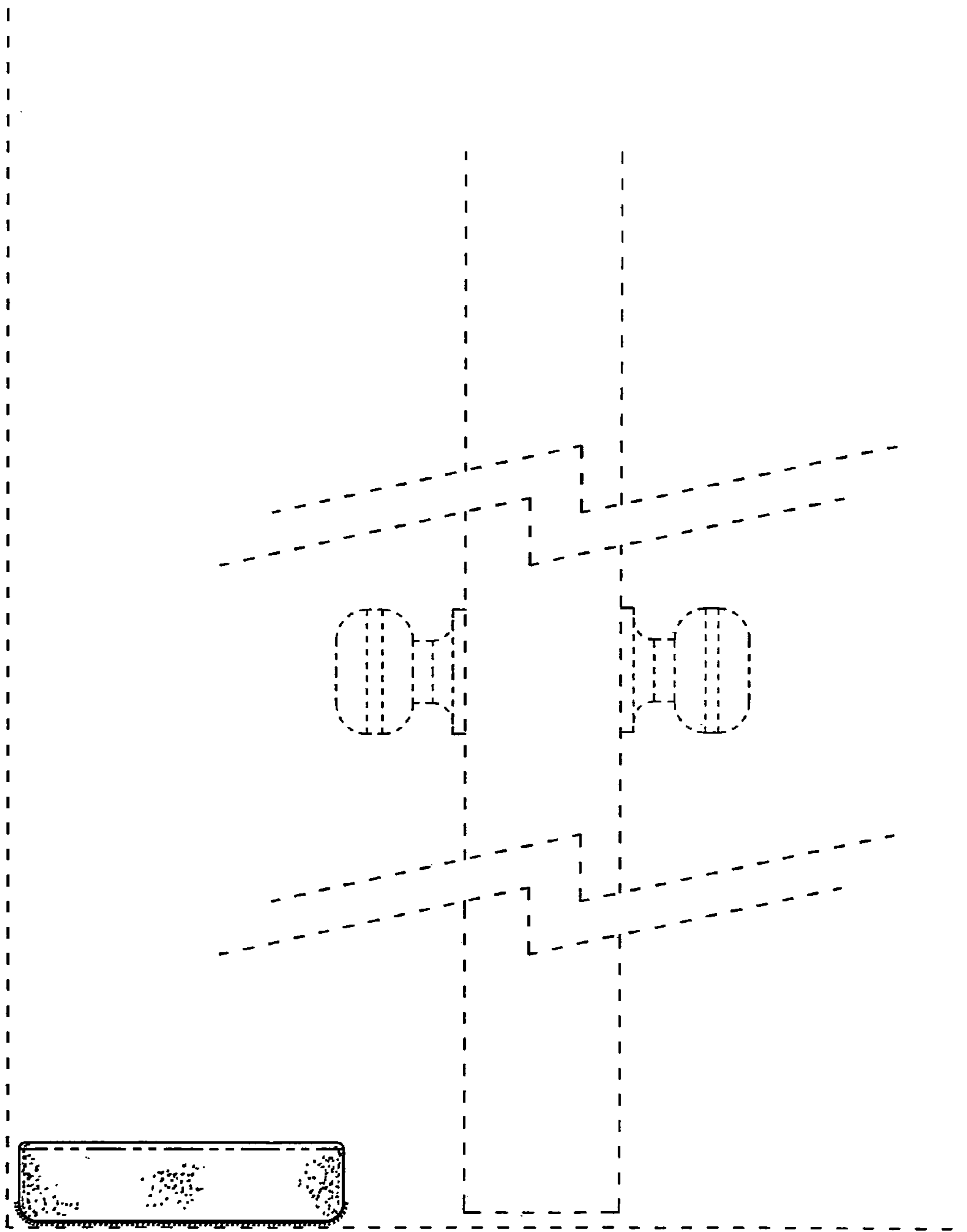


FIG. 6

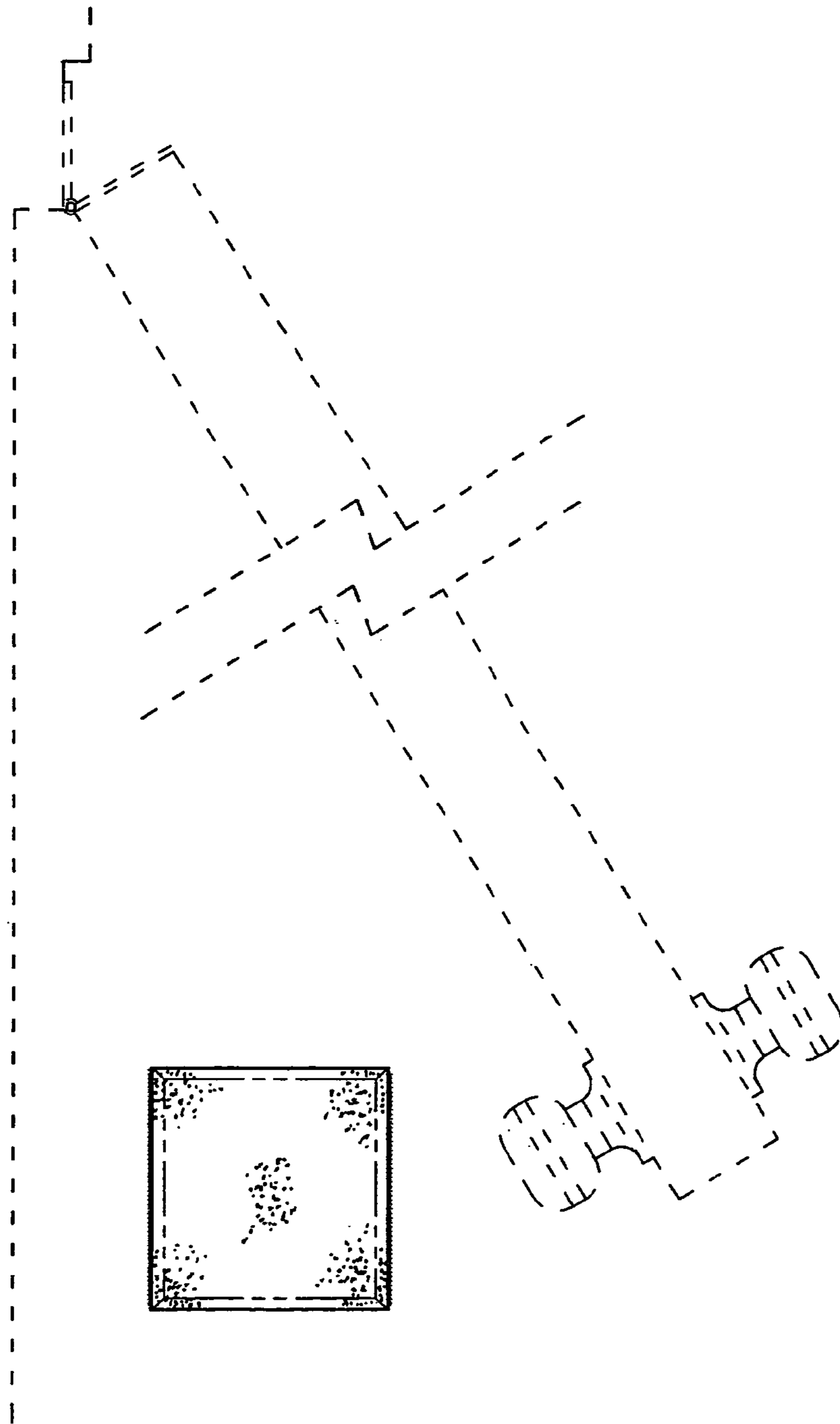


FIG.7

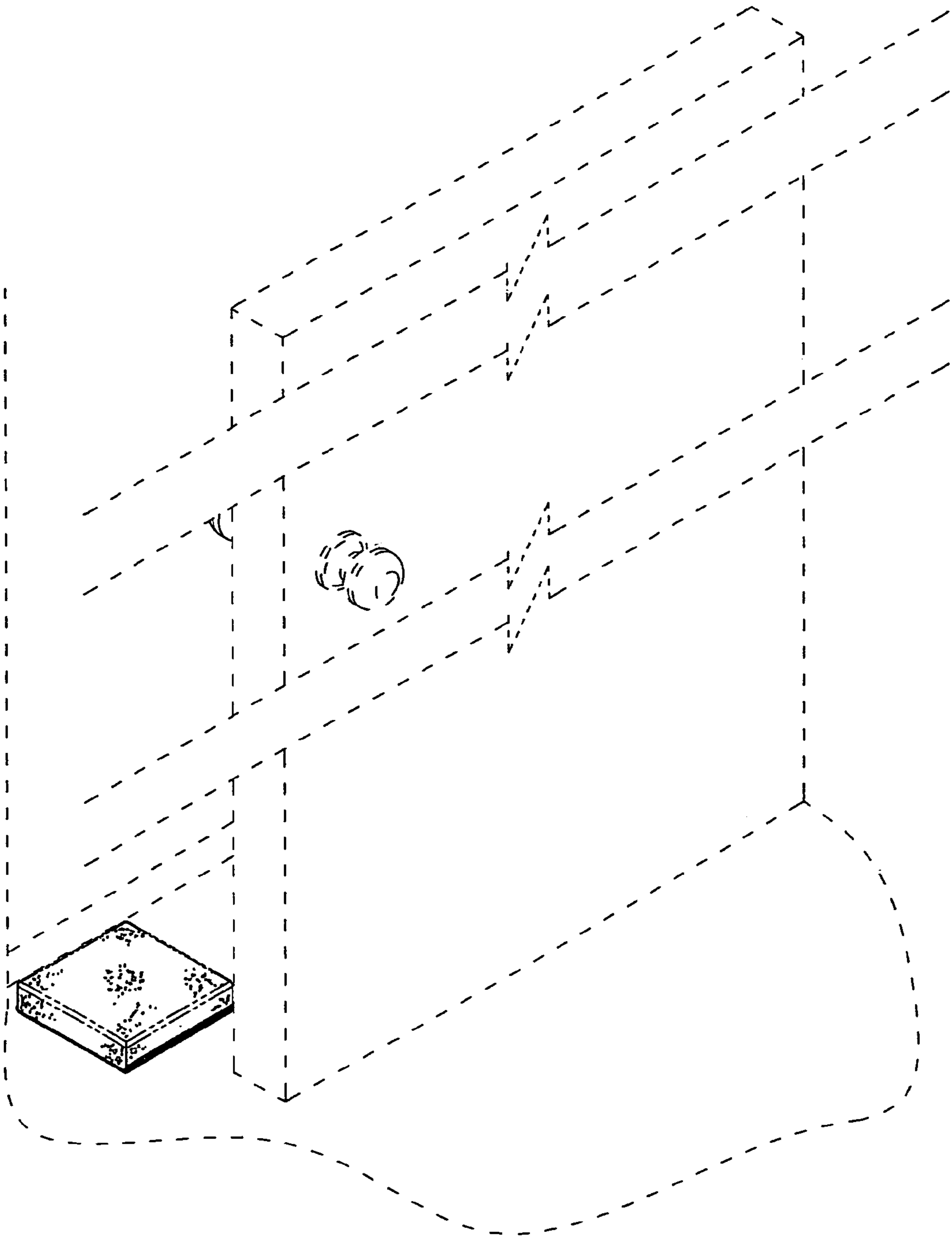


FIG.8